

• **1 9 6 3**



TEMPEST



TEMPEST LE MANS



CATALINA



• **STAR CHIEF**



BONNEVILLE



GRAND PRIX

• **MOLDINGS**
and ATTACHING
PARTS

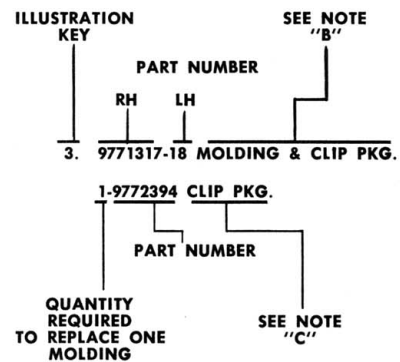
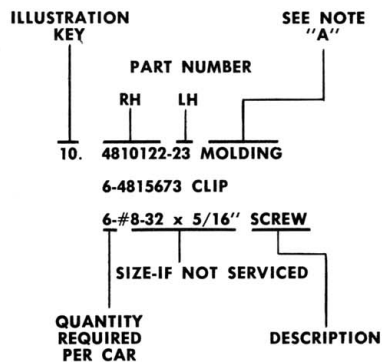
Information herein is up-to-date as of the date of publication. Dealerships should make necessary revisions when the monthly parts release and change notice or any other parts or service department bulletin is received.

1963 MOLDING AND ATTACHING PARTS

This publication is issued for the model year of 1963. It is prepared to provide a fast and accurate method for locating part numbers for all exterior moldings and their attaching parts. To insure all information is current and up to date consult the MASTER PARTS CATALOG and PRICE SCHEDULE. Any suggestions or discrepancies that you may find in this booklet should be forwarded to this department.

The body illustrations are keyed to the moldings and like numbers are to be found in the text. In the event no attaching parts are shown, the molding is of a snap-on type.

See illustration below for interpretation of nomenclature.

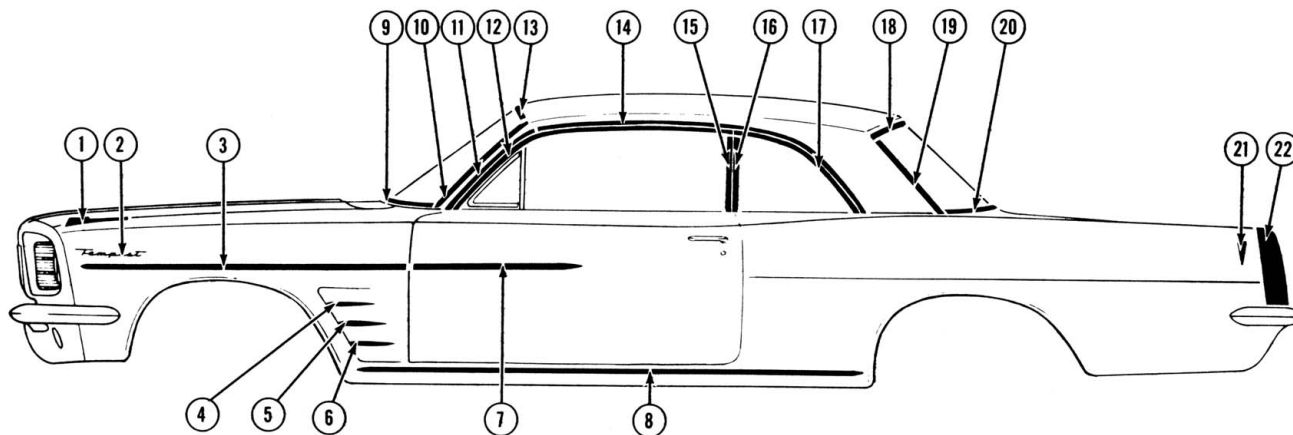


NOTE "A"—MOLDING ONLY, REQUIRES ALL LISTED ATTACHING PARTS FOR INSTALLATION.

NOTE "B"—MOLDING & CLIP PACKAGES CONTAIN THE MOLDING AND ALL ATTACHING PARTS FOR ONE SIDE ONLY.

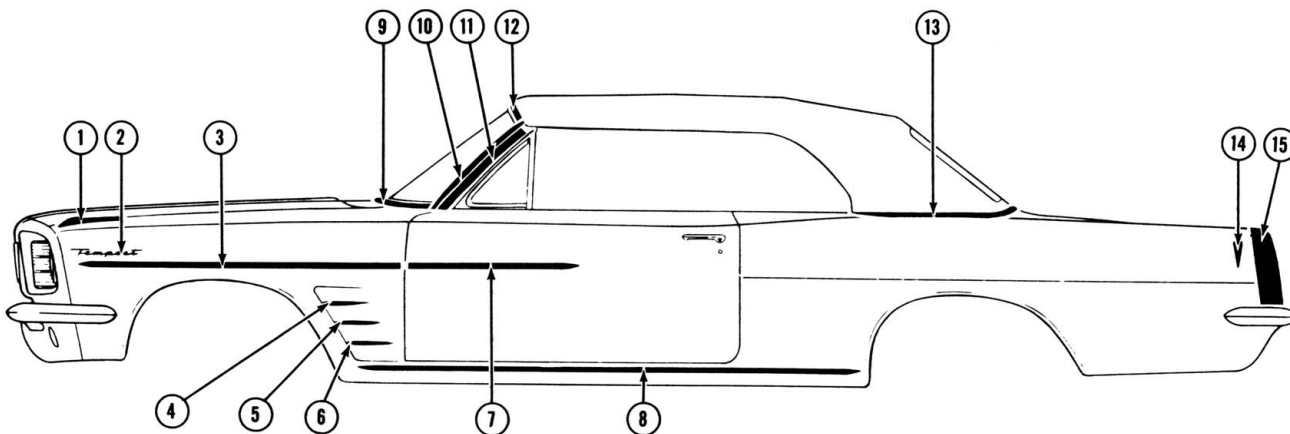
NOTE "C"—CLIP PACKAGE IS NOT REQUIRED WHEN MOLDING & CLIP PACKAGE ISSUED.

PONTIAC MOTOR DIVISION
PARTS AND ACCESSORIES DEPARTMENT
196 OAKLAND AVE.
PONTIAC, MICHIGAN



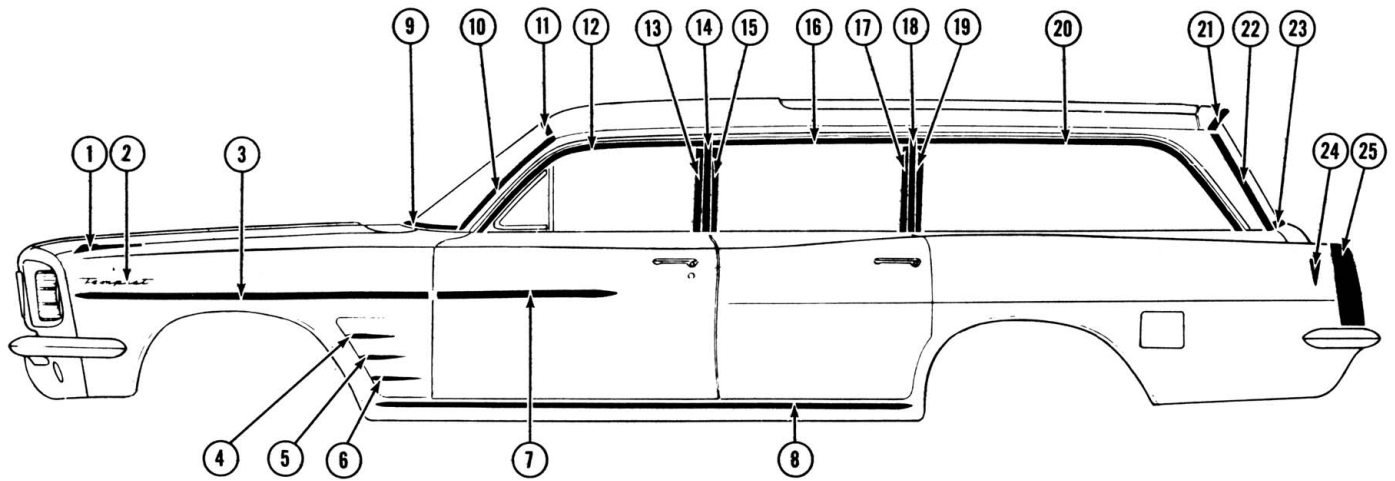
1963 TEMPEST 2-DOOR COUPE - 2127

- | | | | |
|--|--|--|---|
| 1. 9771725-26 ORNAMENT
2-9771945 NUT & SEALER | 6. 548453-54 ORNAMENT-LWR.
2-9411618 NUT | 10. 4846102-03 MOLDING-SIDE
8-4871329 CLIP
8-4825965 SCREW | 17. 4836972-73 MOLDING
6-6278594 CLIP |
| 2. 548507-08 NAME PLATE
2-541236 NUT & SEALER | 7. 2-9771316 MOLDING & CLIP PKG.
1-9772393 CLIP PKG. | 11. 4842658-59 MOLDING
8-4825964 SCREW | 18. 4836138-39 MOLDING-UPR. |
| 3. 9771352-53 MOLDING & CLIP PKG.
1-9772401 CLIP PKG. | 8. 2-9771351 MOLDING & CLIP PKG.
1-9772400 CLIP PKG. | 12. 4833167-68 MOLDING | 19. 4834814-15 MOLDING-SIDE |
| 4. 548449-50 ORNAMENT-UPR.
2-9411618 NUT | 9. 4846100 MOLDING-LWR.
8-4871329 CLIP
8-4825965 SCREW | 13. 4846098-99 MOLDING-UPR.
8-4871329 CLIP
8-4825965 SCREW | 20. 4834699 MOLDING-LWR. |
| 5. 548451-52 ORNAMENT-CTR.
2-9411618 NUT | | 14. 4840123-24 MOLDING | 21. 2-4883133 EMBLEM
2-4815690 NUT
2-4606399 WASHER |
| | | 15. 6279854-55 MOLDING | 22. 4874934-35 BEZEL
6-4839041 NUT
1-4880563 GASKET |
| | | 16. 4836856-57 MOLDING
4-4808501 CLIP | |



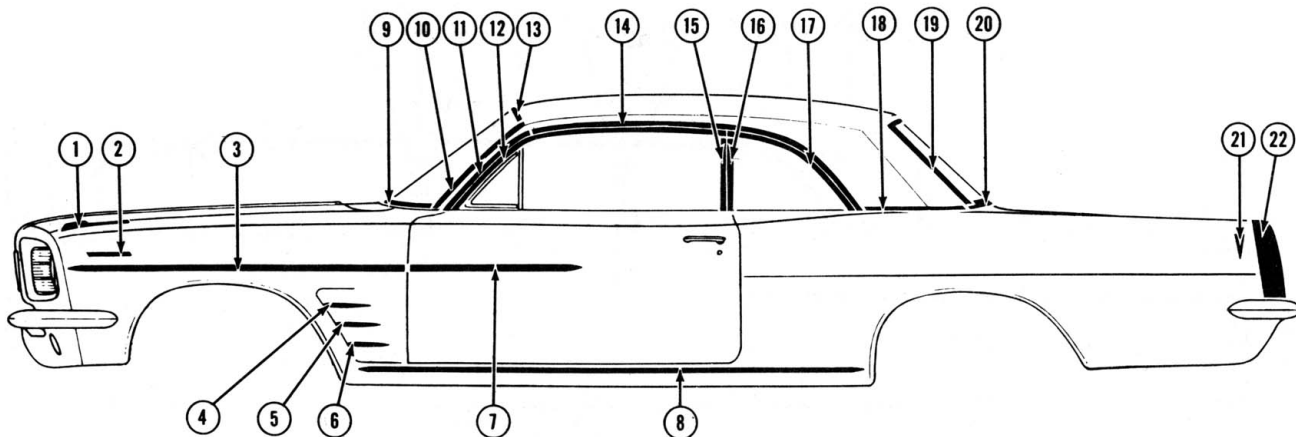
1963 TEMPEST CONVERTIBLE COUPE - 2167

- | | | | |
|--|---|---|--|
| 1. 9771725-26 ORNAMENT
2-9771945 NUT & SEALER | 5. 548451-52 ORNAMENT-CTR.
2-9411618 NUT | 8. 2-9771351 MOLDING & CLIP PKG.
1-9772400 CLIP PKG. | 13. 4844340-41 MOLDING
12-4848926 CLIP
6-4848925 CLIP
3-4773448 FASTENER
3-4879760 SCREW |
| 2. 548507-08 NAME PLATE
2-541236 NUT & SEALER | 6. 548453-54 ORNAMENT-LWR.
2-9411618 NUT | 9. 4803716 MOLDING-LWR. | 14. 2-4883133 EMBLEM
2-4815690 NUT
2-4606399 WASHER |
| 3. 9771352-53 MOLDING & CLIP PKG.
1-9772401 CLIP PKG. | 7. 2-9771316 MOLDING & CLIP PKG.
2-9772393 CLIP PKG. | 10. 4803757-58 MOLDING-SIDE | 15. 4874934-35 BEZEL
6-4839041 NUT
1-4880563 GASKET |
| 4. 548449-50 ORNAMENT-UPR.
2-9411618 NUT | | 11. 4856764-65 MOLDING | |
| | | 12. 4803715 MOLDING-UPR. | |



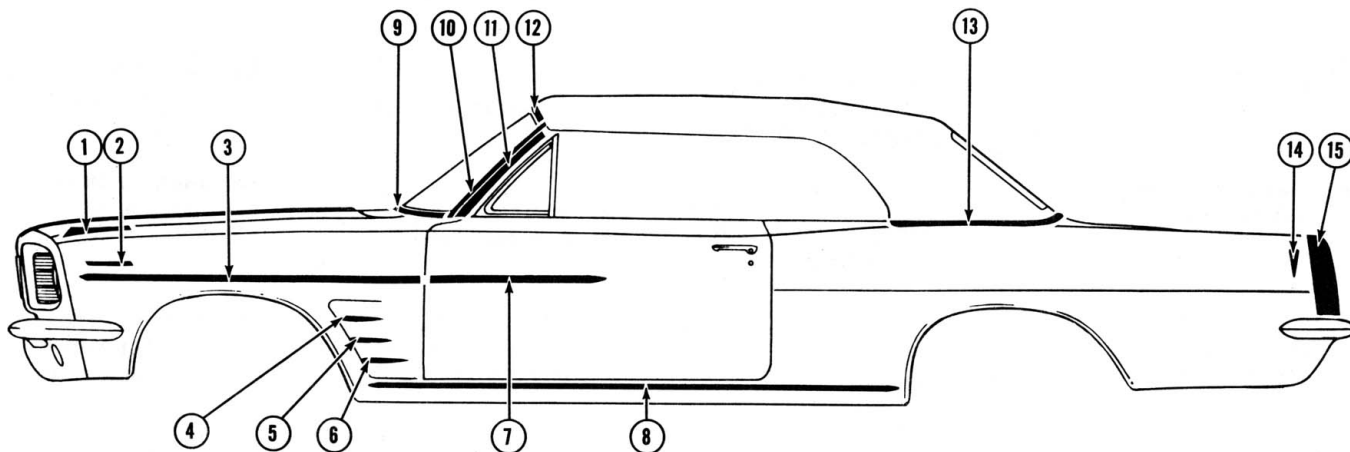
1963 TEMPEST 4-DOOR SAFARI STATION WAGON - 2135

- | | | | |
|---|--|---|---|
| 1. 9771725-26 ORNAMENT
2-9771945 NUT & SEALER | 7. 2-9771316 MOLDING &
CLIP PKG.
1-9772393 CLIP PKG. | 13. 4806303-04 MOLDING | 20. 4804792-93 MOLDING
6-6278594 CLIP
4-4808501 CLIP |
| 2. 548507-08 NAME PLATE
2-541236 NUT & SEALER | 8. 2-9771351 MOLDING &
CLIP PKG.
1-9772400 CLIP PKG. | 14. 4824792-93 MOLDING
4-4825964 SCREW | 21. 4805896 MOLDING
6-4816045 CLIP
2-4817939 CLIP
2-4804455 WASHER
2-#8-32 x 1/2" SCREW |
| 3. 9771352-53 MOLDING &
CLIP PKG.
1-9772401 CLIP PKG. | 9. 4846100 MOLDING-LWR.
8-4871329 CLIP
8-4825965 SCREW | 15. 4806304-03 MOLDING | 22. 4806205-06 MOLDING
6-4816047 CLIP |
| 4. 548449-50 ORNAMENT-UPR.
2-9411618 NUT | 10. 4846102-03 MOLDING-SIDE
8-4871329 CLIP
8-4825965 SCREW | 16. 4806152-53 MOLDING | 23. 4805675 MOLDING
2-#8-18 x 1/2" SCREW |
| 5. 548451-52 ORNAMENT-CTR.
2-9411618 NUT | 11. 4846098-99 MOLDING-UPR.
8-4871329 CLIP
8-4825965 SCREW | 17. 4806303-04 MOLDING | 24. 2-4883133 EMBLEM
2-4815690 NUT
2-4606399 WASHER |
| 6. 548453-54 ORNAMENT-LWR.
2-9411618 NUT | 12. 4806271-72 MOLDING | 18. 4824794-95 MOLDING
4-4825964 SCREW | 25. 4874936-37 BEZEL
2-4839041 NUT
1-4880565 GASKET |
| | | 19. 4804796-97 MOLDING
4-6278594 CLIP | |



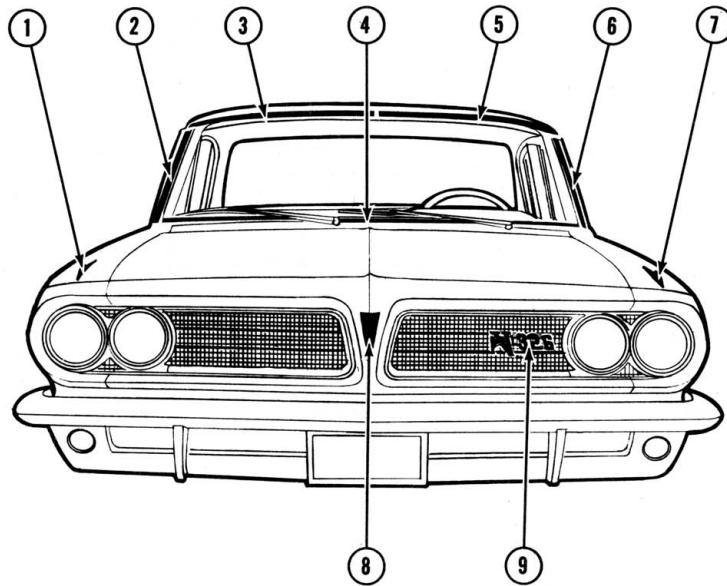
1963 TEMPEST LEMANS 2-DOOR SPORT COUPE - 2217

- | | | | |
|---|--|--|---|
| 1. 9771725-26 ORNAMENT
2-9771945 NUT & SEALER | 7. 2-9771316 MOLDING &
CLIP PKG.
1-9772393 CLIP PKG. | 12. 4833167-68 MOLDING | 19. 4834638-39 MOLDING-UPR.
8-4815949 CLIP
2-4845393 CLIP |
| 2. 4865502-03 PLATE
2-538445 NUT | 8. 2-9771351 MOLDING &
CLIP PKG.
1-9772400 CLIP PKG. | 13. 4846098-99 MOLDING-UPR.
8-4871329 CLIP
8-4825965 SCREW | 19. 4868957-58 MOLDING-
W/CORDOVA TOP
4-4815279 CLIP |
| 3. 9771352-53 MOLDING &
CLIP PKG.
1-9772401 CLIP PKG. | 9. 4846100 MOLDING-LWR.
8-4871329 CLIP
8-4825965 SCREW | 14. 4840123-24 MOLDING | 20. 4867820-21 MOLDING-LWR.
7-4839920 NUT |
| 4. 548449-50 ORNAMENT-UPR.
2-9411618 NUT | 10. 4846102-03 MOLDING-SIDE
8-4871329 CLIP
8-4825965 SCREW | 15. 6279854-55 MOLDING | 21. 2-4883133 EMBLEM
2-4815690 NUT
2-4606399 WASHER |
| 5. 548451-52 ORNAMENT-CTR.
2-9411618 NUT | 11. 4842658-59 MOLDING
8-4825964 SCREW | 16. 4836856-57 MOLDING
4-4808501 CLIP | 22. 4876896-97 BEZEL
1-4878004 SCREW
1-4833166 NUT
2-4839041 NUT
1-4880563 GASKET |
| 6. 548453-54 ORNAMENT-
LWR.
2-9411618 NUT | | 17. 4836972-73 MOLDING
6-6278594 CLIP | |
| | | 18. 4837376-77 MOLDING
8-4867689 CLIP | |



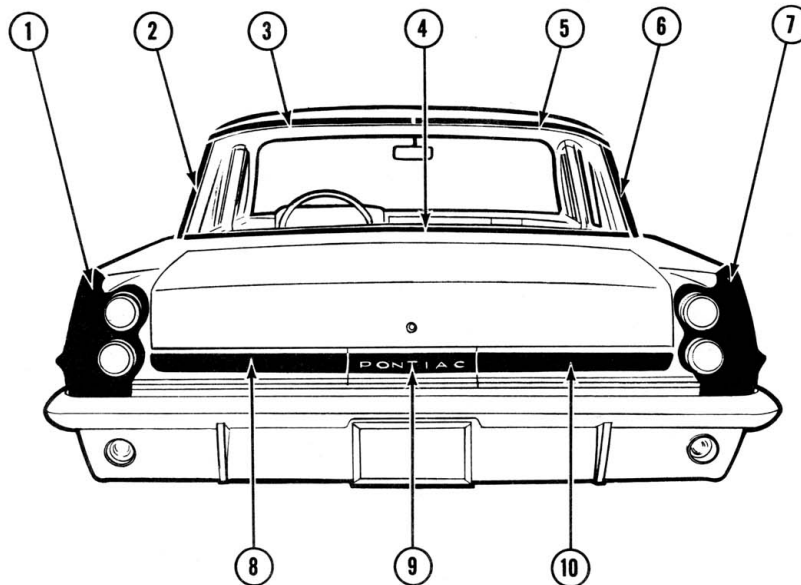
1963 TEMPEST LEMANS CONVERTIBLE COUPE - 2267

- | | | | |
|---|--|--|---|
| 1. 9771725-26 ORNAMENT
2-9771945 NUT & SEALER | 6. 548453-54 ORNAMENT-LWR.
2-9411618 NUT | 10. 4803757-58 MOLDING-SIDE | 14. 2-4883133 EMBLEM
2-4815690 NUT
2-4606399 WASHER |
| 2. 4865502-03 PLATE
2-538445 NUT & SEALER | 7. 2-9771316 MOLDING &
CLIP PKG.
1-9772393 CLIP PKG. | 11. 4856764-65 MOLDING | 15. 4876896-97 BEZEL
1-4878004 SCREW
1-4833166 NUT
2-4839041 NUT
1-4880563 GASKET |
| 3. 9771352-53 MOLDING &
CLIP PKG.
1-9772401 CLIP PKG. | 8. 2-9771351 MOLDING &
CLIP PKG.
1-9772400 CLIP PKG. | 12. 4803715 MOLDING-UPR. | |
| 4. 548449-50 ORNAMENT-UPR.
2-9411618 NUT | 9. 4803716 MOLDING-LWR. | 13. 4844340-41 MOLDING
12-4848926 CLIP
6-4848925 CLIP
3-4773448 FASTENER
3-4879760 SCREW | |
| 5. 548451-52 ORNAMENT-CTR.
2-9411618 NUT | | | |



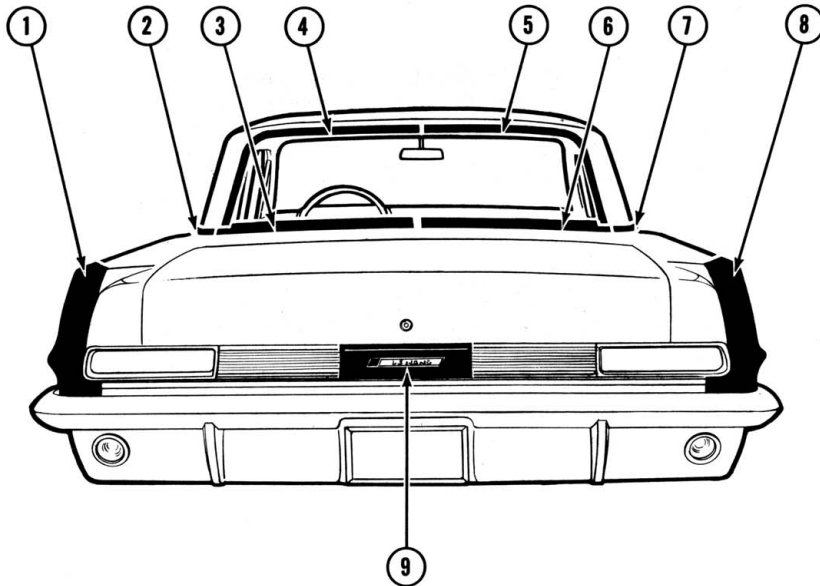
1963 TEMPEST TYPICAL FRONT END VIEW (EXC. CONVERTIBLE)

- | | | | |
|---|---|---|---|
| <p>1. 9771725 ORNAMENT
2-9771945 NUT & SEALER</p> <p>2. 4846102 MOLDING-SIDE
4-4871329 CLIP
4-4825965 SCREW</p> <p>3. 4846098 MOLDING-UPR.
4-4871329 CLIP
4-4825965 SCREW</p> | <p>4. 4846100 MOLDING-LWR.
8-4871329 CLIP
8-4825965 SCREW</p> <p>5. 4846099 MOLDING-UPR.
4-4871329 CLIP
4-4825965 SCREW</p> | <p>6. 4846103 MOLDING-SIDE
4-4871329 CLIP
4-4825965 SCREW</p> <p>7. 9771726 ORNAMENT
2-9771945 NUT & SEALER</p> | <p>8. 548692 EMBLEM
2-9411618 NUT</p> <p>9. 9771389 EMBLEM
2-3751546 NUT
2-9771393 SPACER</p> |
|---|---|---|---|



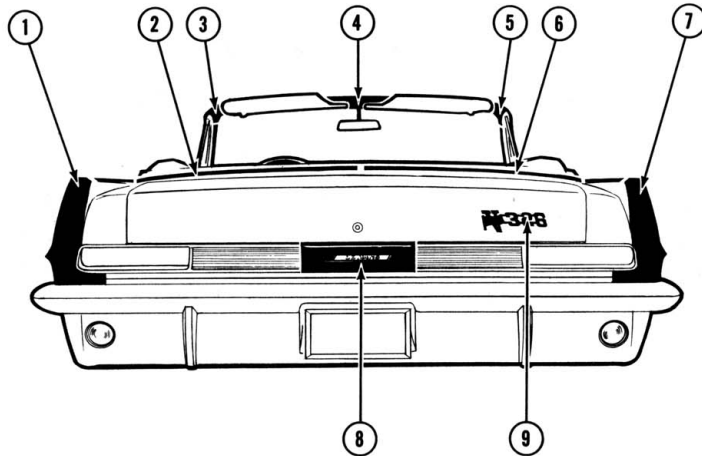
1963 TEMPEST 4-DOOR SEDAN - 2119 (REAR END VIEW)

- | | | | |
|---|--|---|---|
| <p>1. 4874935 BEZEL
6-4839041 NUT
1-4880563 GASKET</p> <p>2. 4803712 MOLDING-SIDE</p> <p>3. 4803745 MOLDING-UPR.</p> <p>4. 4803714 MOLDING-LWR.</p> | <p>5. 4803744 MOLDING-UPR.</p> <p>6. 4803711 MOLDING-SIDE</p> <p>7. 4874934 BEZEL
6-4839041 NUT
1-4880563 GASKET</p> | <p>8. 9771348 MOLDING PKG.
1-9772398 CLIP PKG.</p> <p>9. 4881442 PLATE-W/DECOR
3-4877816 NUT
3-4804455 WASHER</p> | <p>9. 4879085 PLATE-LESS/DECOR
3-4877816 NUT
3-4804455 WASHER</p> <p>10. 9771347 MOLDING PKG.
1-9772398 CLIP PKG.</p> |
|---|--|---|---|



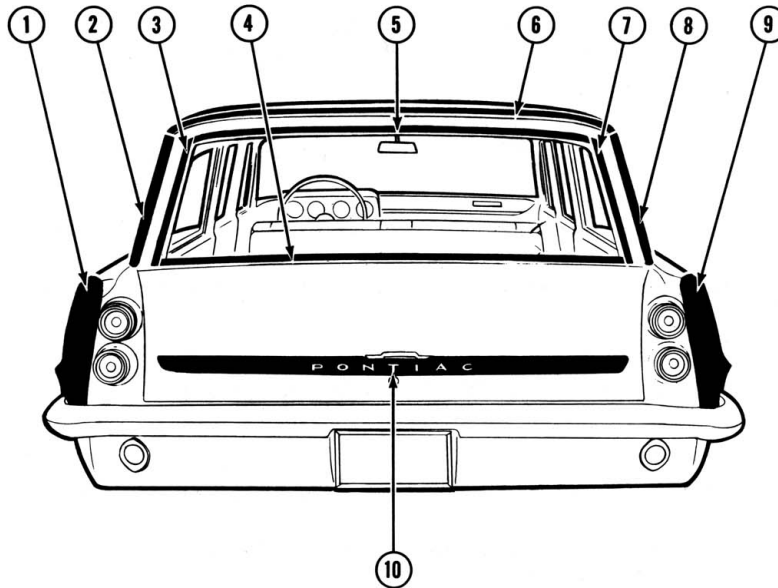
1963 TEMPEST LEMANS 2-DOOR SPORT COUPE - 2217 (REAR END VIEW)

- | | | | |
|---|--|--|---|
| 1. 4876897 BEZEL
1-4878004 SCREW
1-4833166 NUT
2-4839041 NUT
1-4880563 GASKET | 4. 4834639 MOLDING
4-4815949 CLIP
1-4845393 CLIP | 5. 4868957 MOLDING-
W/CORDOVA TOP
2-4815279 CLIP | 8. 4876896 BEZEL
1-4878004 SCREW
1-4833166 NUT
2-4839041 NUT
1-4880563 GASKET |
| 2. 4837377 MOLDING
4-4867689 CLIP | 4. 4868958 MOLDING-
W/CORDOVA TOP
2-4815279 CLIP | 6. 4867820 MOLDING
3-4839920 CLIP | 9. 4879690 MOLDING
3-4877816 NUT
3-4804455 WASHER |
| 3. 4867821 MOLDING
3-4839920 CLIP | 5. 4834638 MOLDING
4-4815949 CLIP
1-4845393 CLIP | 7. 4837376 MOLDING
4-4867689 CLP | |



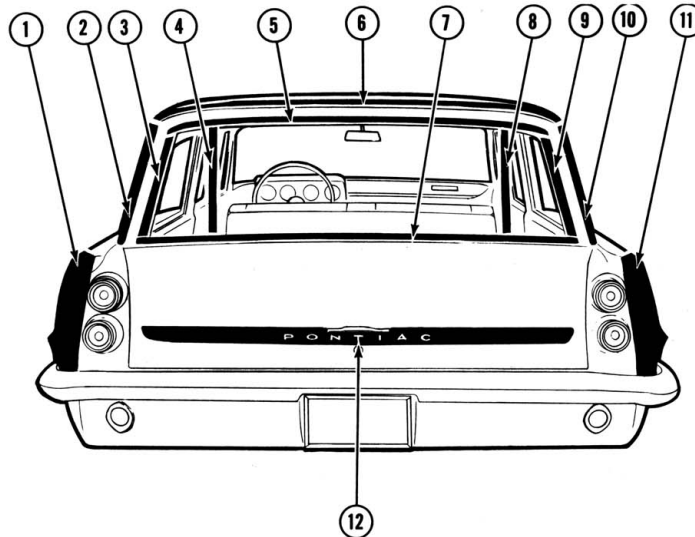
1963 TEMPEST LEMANS CONVERTIBLE COUPE - 2267 (REAR END VIEW)

- | | | | |
|---|--|---|---|
| 1. 4876897 BEZEL
1-4878004 SCREW
1-4833166 NUT
2-4839041 NUT
1-4880563 GASKET | 3. 4872263 MOLDING-SIDE
2-4834038 SCREW | 6. 4844340 MOLDING
6-4848926 CLIP
3-4848925 CLIP
2-4773448 FASTENER
2-4879760 SCREW | 8. 4879690 MOLDING
3-4877816 NUT
3-4804455 WASHER |
| 2. 4844341 MOLDING
6-4848926 CLIP
3-4848925 CLIP
2-4773448 FASTENER
2-4879760 SCREW | 4. 4879561 MOLDING-CTR.
3-4834038 SCREW | 7. 4876896 BEZEL
1-4878004 SCREW
1-4833166 NUT
2-4839041 NUT
1-4880563 GASKET | 9. 9771389 EMBLEM
2-4888347 CLIP |
| | 5. 4872262 MOLDING-SIDE
2-4834038 SCREW | | |



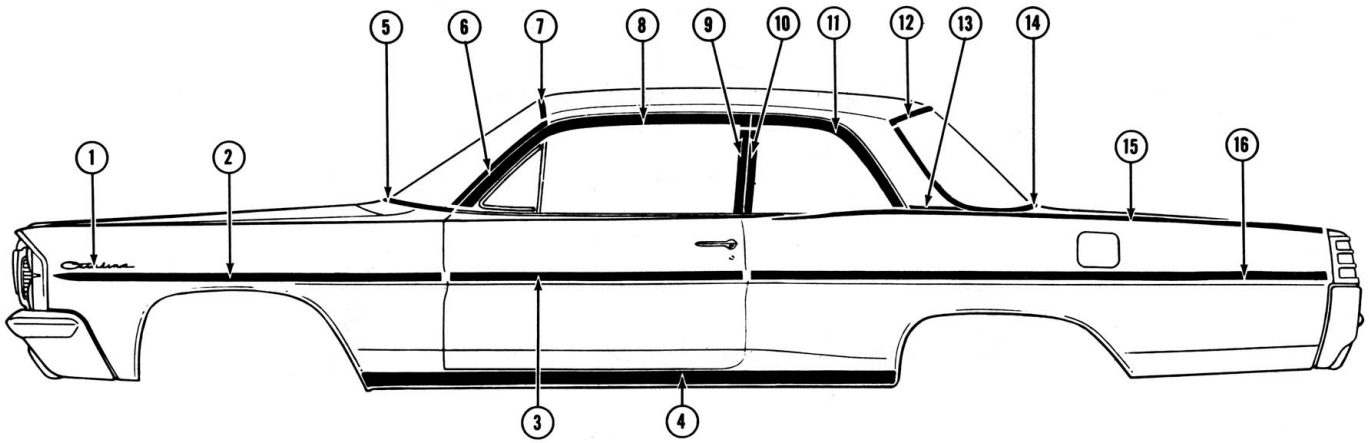
1963 TEMPEST SAFARI STATION WAGON - 2135 W/MANUAL BACK WINDOW

- | | | | |
|---|--|---|---|
| 1. 4874937 BEZEL
2-4839041 NUT
1-4880565 GASKET | 4. 4805675 MOLDING | 7. 4805134 MOLDING | 10. 4887038 MOLDING-
W/DECOR
4-4821859 NUT
4-4826440 WASHER |
| 2. 4806206 MOLDING
3-4816047 CLIP | 5. 4804914 MOLDING | 8. 4806205 MOLDING
3-4816047 CLIP | 10. 4887039 MOLDING-
LESS/DECOR
4-4821859 NUT
4-4826440 WASHER |
| 3. 4805135 MOLDING | 6. 4805896 MOLDING
6-4816045 CLIP
2-4817939 CLIP
2-4804455 WASHER
2-#8-32 x 1/2" SCREW | 9. 4874936 BEZEL
2-4839041 NUT
1-4880565 GASKET | |



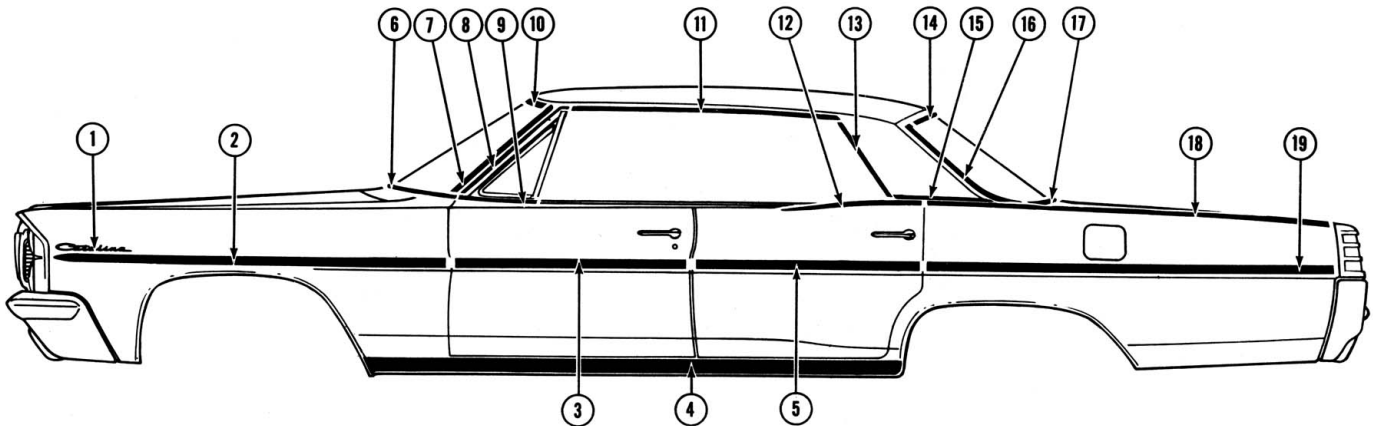
1963 TEMPEST SAFARI STATION WAGON - 2135 W/POWER BACK WINDOW

- | | | | |
|---|--|---|---|
| 1. 4874937 BEZEL
2-4839041 NUT
1-4880565 GASKET | 5. 4835070 MOLDING
5-#8-18 x 1/2" SCREW | 8. 4870941 CHANNEL
(MOLDING INTREGAL
PART OF CHANNEL) | 11. 4874936 BEZEL
2-4839041 NUT
1-4880565 GASKET |
| 2. 4806206 MOLDING
3-4816047 CLIP | 6. 4805896 MOLDING
6-4816045 CLIP
2-4817939 CLIP
2-4804455 WASHER
2-#8-32 x 1/2" SCREW | 9. 4403752 MOLDING
2-#8-18 x 1/2" SCREW | 12. 4887038 MOLDING-
W/DECOR
4-4821859 NUT
4-4826440 WASHER |
| 3. 4403752 MOLDING
2-#8-18 x 1/2" SCREW | 7. 4403753 MOLDING
2-#8-18 x 1/2" SCREW | 10. 4806205 MOLDING
3-4816047 CLIP | 12. 4887039 MOLDING-
LESS/DECOR
4-4821859 NUT
4-4826440 WASHER |
| 4. 4870942 CHANNEL
(MOLDING INTREGAL
PART OF CHANNEL) | | | |



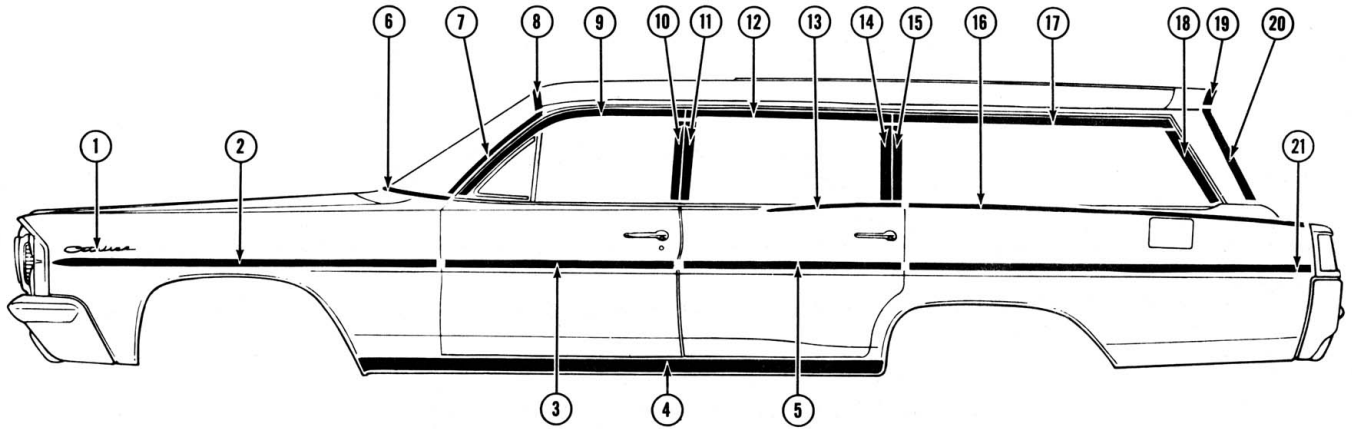
1963 CATALINA 2-DOOR SPORT SEDAN - 2311

- | | | | |
|--|--|---|--|
| 1. 2-548482 NAME PLATE
4-541236 NUT & SEALER | 5. 4873368-69 MOLDING-LWR.
9-4878288 CLIP
1-4878672-3 CLIP
9-#8-18 x 3/8" SCREW
2-#8-18 x 1/2" SCREW | 8. 4876164-65 MOLDING | 13. 4841998-99 MOLDING
6-4876565 CLIP |
| 2. 9771354-55 MOLDING &
CLIP PKG.
1-9772416 CLIP PKG. | 6. 4873364-65 MOLDING-SIDE
8-4876634 CLIP
4-4826785 SCREW | 9. 4810630-31 MOLDING | 14. 4841992-93 MOLDING
15-4845393 CLIP
2-9415568 SCREW |
| 3. 9771317-18 MOLDING &
CLIP PKG.
1-9772394 CLIP PKG. | 7. 4807561 MOLDING-UPR.
9-4876634 CLIP
2-4826785 SCREW | 10. 4810122-23 MOLDING
6-4815673 CLIP
6-#8-32 x 5/16" SCREW | 15. 9771308-09 MOLDING &
CLIP PKG.
1-9772267 CLIP PKG. |
| 4. 9771615-16 MOLDING &
CLIP PKG.
6-542533 RETAINER
1-542862 RETAINER | | 11. 4808748-49 MOLDING
4-4842189 SCREW | 16. 9771325-26 MOLDING &
CLIP PKG.
1-9772396 CLIP PKG. |
| | | 12. 4841990-91 MOLDING-UPR.
9-4845393 CLIP
2-9415568 SCREW | |



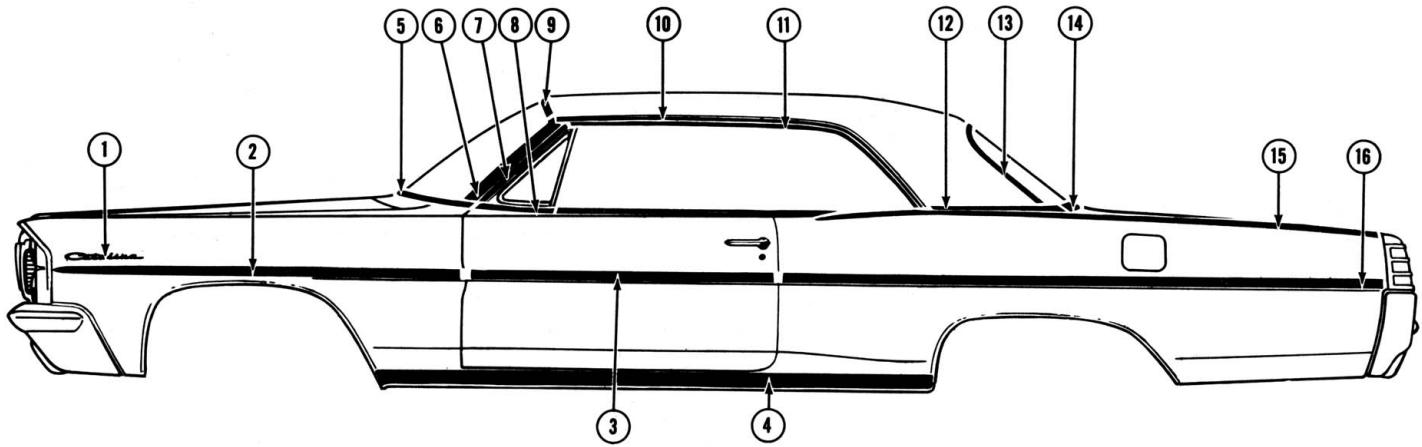
1963 CATALINA 4-DOOR VISTA - 2339

- | | | | |
|--|--|--|--|
| 1. 2-548482 NAME PLATE
4-541236 NUT & SEALER | 6. 4873370-71 MOLDING-LWR.
9-4878288 CLIP
1-4878672-3 CLIP
9-#8-18 x 3/8" SCREW
2-#8-18 x 1/2" SCREW | 11. 4405000-01 MOLDING | 16. 4873708-09 MOLDING-SIDE
4-4815949 CLIP
4-4876634 CLIP
4-9415568 SCREW |
| 2. 9771354-55 MOLDING &
CLIP PKG.
1-9772416 CLIP PKG. | 7. 4873252-53 MOLDING-SIDE
8-4876634 CLIP
4-4826785 SCREW | 12. 9771333-34 MOLDING &
CLIP PKG.
1-9772394 CLIP PKG. | 17. 4876024 MOLDING-LWR.
7-4815949 CLIP |
| 3. 9771319-20 MOLDING &
CLIP PKG.
1-9772394 CLIP PKG. | 8. 4405014-15 MOLDING | 13. 4405006-07 MOLDING | 18. 9771306-07 MOLDING &
CLIP PKG.
1-9772267 CLIP PKG. |
| 4. 9771615-16 MOLDING &
CLIP PKG.
6-542533 RETAINER
1-542862 RETAINER | 9. 4875750-51 MOLDING
2-4842189 SCREW | 14. 4876025 MOLDING-UPR.
9-4815949 CLIP | 19. 9771331-32 MOLDING &
CLIP PKG.
1-9772396 CLIP PKG. |
| 5. 9771335-36 MOLDING &
CLIP PKG.
1-9772267 CLIP PKG. | 10. 4873418 MOLDING-UPR.
9-4876634 CLIP
2-4826785 SCREW | 15. 4880690-91 MOLDING
4-4876565 CLIP
2-4411673 CLIP
2-4826785 SCREW
2-4843565 NUT | |



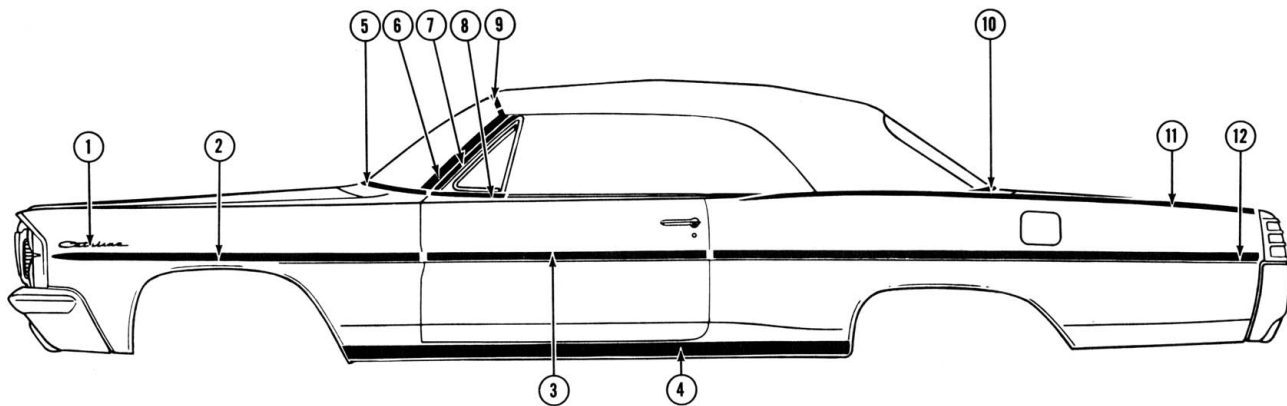
1963 CATALINA 4-DOOR SAFARI STATION WAGON - 2335-45

- | | | | |
|--|---|--|---|
| <p>1. 2-548482 NAME PLATE
4-541236 NUT & SEALER</p> <p>2. 9771354-55 MOLDING &
CLIP PKG.
1-9772416 CLIP PKG.</p> <p>3. 9771319-20 MOLDING &
CLIP PKG.
1-9772394 CLIP PKG.</p> <p>4. 9771619-20 MOLDING &
CLIP PKG.
6-542533 RETAINER
1-542862 RETAINER</p> <p>5. 9771335-36 MOLDING &
CLIP PKG.
1-9772267 CLIP PKG.</p> | <p>6. 4873368-69 MOLDING-LWR.
9-4878288 CLIP
1-4878672-3 CLIP
9-#8-18 x 3/8" SCREW
2-#8-18 x 1/2" SCREW</p> <p>7. 4873364-65 MOLDING-SIDE
8-4876634 CLIP
4-4826785 SCREW</p> <p>8. 4807561 MOLDING-UPR.
9-4876634 CLIP
2-4826785 SCREW</p> <p>9. 4876160-61 MOLDING</p> <p>10. 4810642-43 MOLDING</p> <p>11. 4810617-18 MOLDING</p> | <p>12. 4810626-27 MOLDING</p> <p>13. 9771333-34 MOLDING &
CLIP PKG.
1-9772394 CLIP PKG.</p> <p>14. 4810613-14 MOLDING</p> <p>15. 4808232-33 MOLDING
4-4799768 SCREW</p> <p>16. 9771310-11 MOLDING &
CLIP PKG.
1-9772267 CLIP PKG.</p> <p>17. 4808214-15 MOLDING
8-4856473 CLIP
8-#8-32 x 5/16" SCREW</p> | <p>18. 4808218-19 MOLDING
8-4856473 CLIP
8-#8-32 x 5/16" SCREW</p> <p>19. 4811828 MOLDING
8-4836199 CLIP</p> <p>20. 4835767-68 MOLDING
6-4836199 CLIP</p> <p>21. 9771329-30 MOLDING &
CLIP PKG.
1-9772396 CLIP PKG.</p> |
|--|---|--|---|



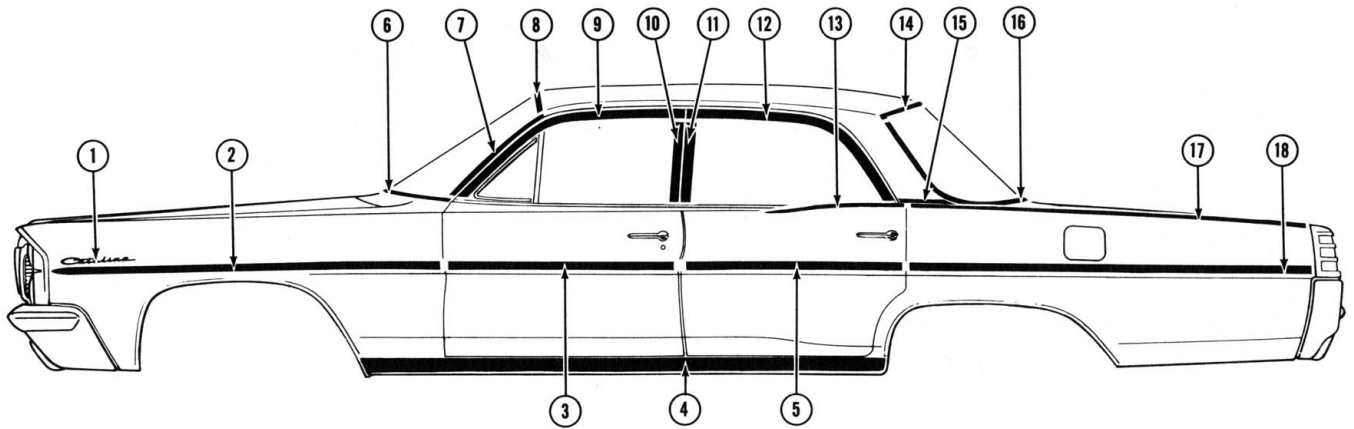
1963 CATALINA 2-DOOR SPORT COUPE - 2347

- | | | | |
|---|--|--|--|
| 1. 2-548482 NAME PLATE
4-541236 NUT & SEALER | 5. 4873372-73 MOLDING-LWR.
9-4878288 CLIP
1-4878672-3 CLIP
9-#8-18 x 3/8" SCREW
2-#8-18 x 1/2" SCREW | 9. 4838489 MOLDING-UPR.
9-4815949 CLIP
2-4826785 SCREW | 13. 4838508-09 MOLDING-UPR.
12-4815949 CLIP |
| 2. 9771354-55 MOLDING & CLIP PKG.
1-9772416 CLIP PKG. | 6. 4873358-59 MOLDING-SIDE
6-#8-18 x 1/4" SCREW | 10. 4839213-14 MOLDING | 14. 4839944 MOLDING-LWR.
6-4815455 CLIP
6-4815949 CLIP |
| 3. 9771317-18 MOLDING & CLIP PKG.
1-9772394 CLIP PKG. | 7. 4875848-49 MOLDING
8-4829088 SCREW | 11. 4852925-26 MOLDING
18-4829088 SCREW | 15. 9771308-09 MOLDING & CLIP PKG.
1-9772267 CLIP PKG. |
| 4. 9771615-16 MOLDING & CLIP PKG.
6-542533 RETAINER
1-542862 RETAINER | 8. 4875754-55 MOLDING
2-4842189 SCREW | 12. 4840710-11 MOLDING
2-4402136 BOLT & CLIP
2-4402137 BOLT & CLIP
2-4402138 BOLT & CLIP
6-4815690 NUT | 16. 9771325-26 MOLDING & CLIP PKG.
9772396 CLIP PKG. |



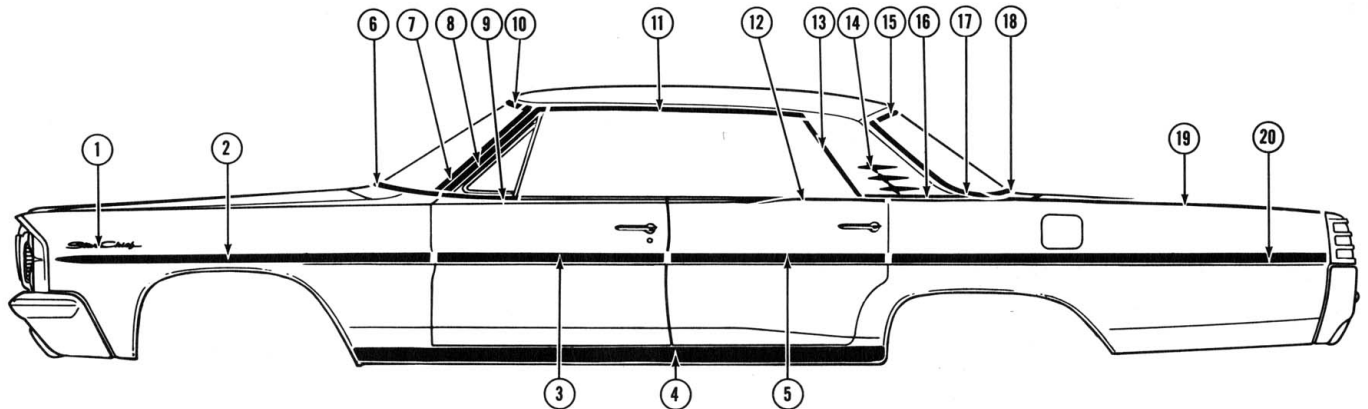
1963 CATALINA CONVERTIBLE COUPE - 2367

- | | | | |
|---|--|---|---|
| 1. 2-548482 NAME PLATE
4-541236 NUT & SEALER | 5. 4873372-73 MOLDING-LWR.
9-4878288 CLIP
1-4878672-3 CLIP
9-#8-18 x 3/8" SCREW
2-#8-18 x 1/2" SCREW | 9. 4811849 MOLDING-UPR.
4-4759766 BOLT & CLIP
4-1/8" NUT
2-#8-18 x 3/8" SCREW | 11. 9771308-09 MOLDING & CLIP PKG.
1-9772267 CLIP PKG. |
| 2. 9771354-55 MOLDING & CLIP PKG.
1-9772416 CLIP PKG. | 6. 4873360-61 MOLDING-SIDE
4-#8-18 x 1/4" SCREW
2-9415944 SCREW | 10. 4819550-51 MOLDING
6-4819694 CLIP
6-4819695 CLIP
3-4879760 SCREW
3-4773448 FASTENER | 12. 9771325-26 MOLDING & CLIP PKG.
1-9772396 CLIP PKG. |
| 3. 9771317-18 MOLDING & CLIP PKG.
1-9772394 CLIP PKG. | 7. 4872828-29 MOLDING
8-4829088 SCREW | | |
| 4. 9771615-16 MOLDING & CLIP PKG.
6-542533 RETAINER
1-542862 RETAINER | 8. 4875754-55 MOLDING
2-4842189 SCREW | | |



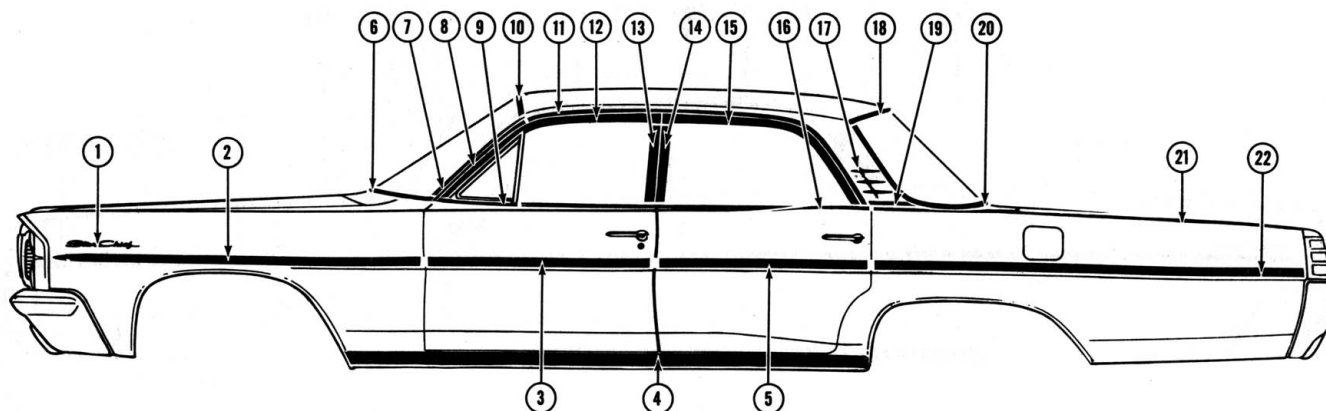
1963 CATALINA 4-DOOR SEDAN - 2369

- | | | | |
|--|---|--|---|
| <p>1. 2-548482 NAME PLATE
4-541326 NUT & SEALER</p> <p>2. 9771354-55 MOLDING & CLIP PKG.
1-9772416 CLIP PKG.</p> <p>3. 9771319-20 MOLDING & CLIP PKG.
1-9772394 CLIP PKG.</p> <p>4. 9771615-16 MOLDING & CLIP PKG.
6-542533 RETAINER
1-542862 RETAINER</p> | <p>5. 9771335-36 MOLDING & CLIP PKG.
1-9772267 CLIP PKG.</p> <p>6. 4873368-69 MOLDING-LWR.
9-4878288 CLIP
1-4878672-3 CLIP
9-#8-18 x 3/8" SCREW
2-#8-18 x 1/2" SCREW</p> <p>7. 4873364-65 MOLDING-SIDE
8-4876634 CLIP
4-4826785 SCREW</p> <p>8. 4807561 MOLDING-UPR.
9-4876634 CLIP
2-4826785 SCREW</p> | <p>9. 4876160-61 MOLDING</p> <p>10. 4810642-43 MOLDING</p> <p>11. 4810617-18 MOLDING</p> <p>12. 4810624-25 MOLDING</p> <p>13. 9771333-34 MOLDING & CLIP PKG.
1-9772394 CLIP PKG.</p> <p>14. 4841990-91 MOLDING-UPR.
9-4845393 CLIP
2-9415568 SCREW</p> | <p>15. 4841996-97 MOLDING
4-4814614 CLIP
2-4825965 SCREW</p> <p>16. 4841992-93 MOLDING-LWR.
15-4845393 CLIP
2-9415568 SCREW</p> <p>17. 9771306-07 MOLDING & CLIP PKG.
1-9772267 CLIP PKG.</p> <p>18. 9771331-32 MOLDING & CLIP PKG.
1-9772396 CLIP PKG.</p> |
|--|---|--|---|



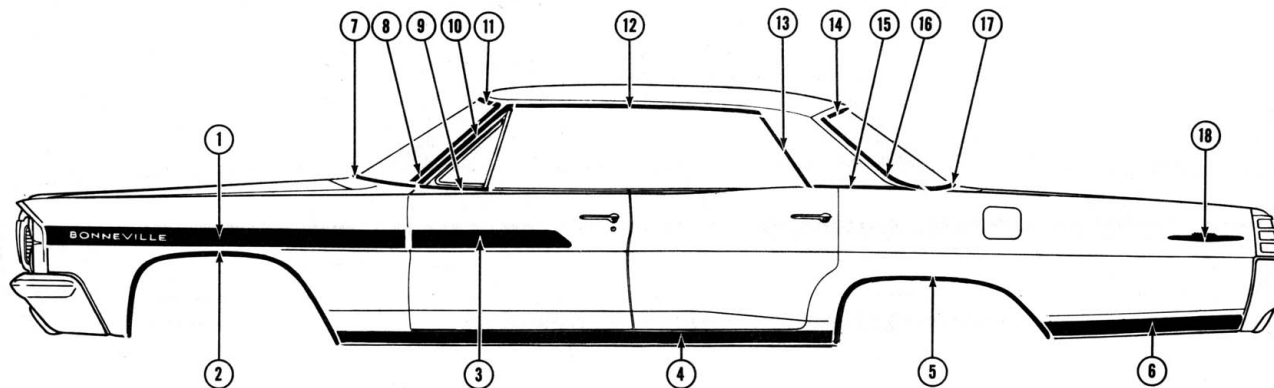
1963 STARCHIEF 4-DOOR VISTA - 2639

- | | | | |
|---|--|---|---|
| <p>1. 2-548481 NAME PLATE
4-541236 NUT & SEALER</p> <p>2. 9771354-55 MOLDING & CLIP PKG.
1-9772416 CLIP PKG.</p> <p>3. 9771319-20 MOLDING & CLIP PKG.
1-9772394 CLIP PKG.</p> <p>4. 9771617-18 MOLDING & CLIP PKG.
6-542533 RETAINER
1-542862 RETAINER</p> <p>5. 9771335-36 MOLDING & CLIP PKG.
1-9772267 CLIP PKG.</p> | <p>6. 4873370-71 MOLDING-LWR
9-4878288 CLIP
1-4878672-3 CLIP
9-#8-18x3/8" SCREW
2-#8-18x1/2" SCREW</p> <p>7. 4873252-53 MOLDING-SIDE
8-4876634 CLIP
4-4826785 SCREW</p> <p>8. 4405014-15 MOLDING</p> <p>9. 4875750-51 MOLDING
2-4842189 SCREW</p> <p>10. 4873418 MOLDING-UPR.
9-4876634 CLIP
2-4826785 SCREW</p> | <p>11. 4405000-01 MOLDING</p> <p>12. 9771333-34 MOLDING & CLIP PKG.
1-9772394 CLIP PKG.</p> <p>13. 4405006-07 MOLDING</p> <p>14. 3-4883153-54 ORNAMENT
12-1/8" NUT</p> <p>15. 4876025 MOLDING-UPR.
9-4815949 CLIP</p> <p>16. 4880690-91 MOLDING
4-4876565 CLIP
2-4411673 CLIP
2-4826785 SCREW
2-4843565 NUT</p> | <p>17. 4873708-09 MOLDING-SIDE
4-4815949 CLIP
4-4876634 CLIP
4-9415568 SCREW</p> <p>18. 4876024 MOLDING-LWR.
7-4815949 CLIP</p> <p>19. 9771312-13 MOLDING & CLIP PKG.
1-9772267 CLIP PKG.</p> <p>20. 9771327-28 MOLDING & CLIP PKG.
1-9772396 CLIP PKG.</p> |
|---|--|---|---|



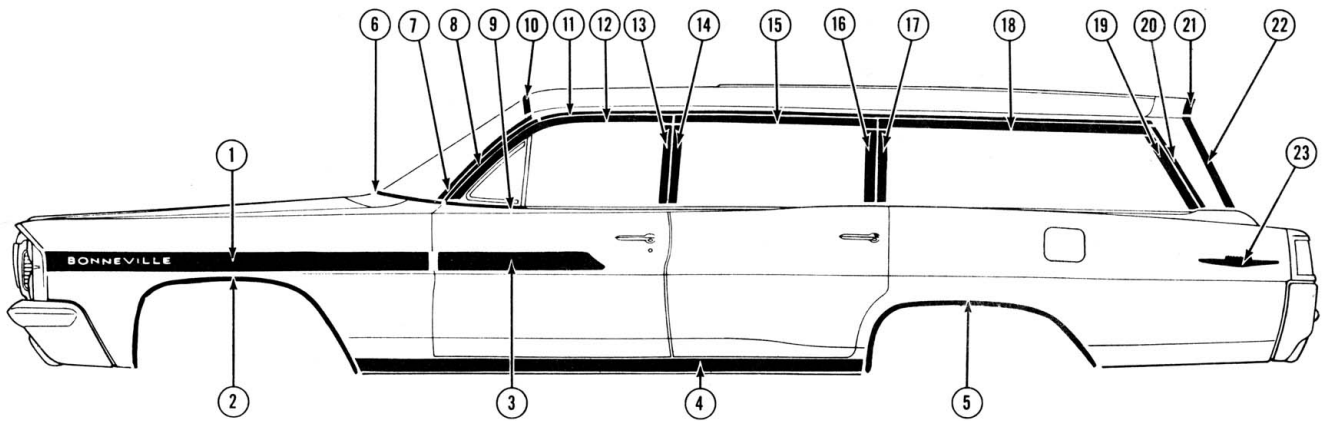
1963 STARCHIEF 4-DOOR SEDAN - 2669

- | | | | |
|---|---|--|---|
| <p>1. 2-548481 NAME PLATE
4-541236 NUT & SEALER</p> <p>2. 9771354-55 MOLDING & CLIP PKG.
1-9772416 CLIP PKG.</p> <p>3. 9771319-20 MOLDING & CLIP PKG.
1-9772394 CLIP PKG.</p> <p>4. 9771617-18 MOLDING & CLIP PKG.
6-542533 RETAINER
1-542862 RETAINER</p> <p>5. 9771335-36 MOLDING & CLIP PKG.
1-9772267 CLIP PKG.</p> | <p>6. 4873368-69 MOLDING-LWR.
9-4878288 CLIP
1-4878672-3 CLIP
9-#8-18x3/8" SCREW
2-#8-18x1/2" SCREW</p> <p>7. 4873364-65 MOLDING-SIDE
8-4876634 CLIP
4-4826785 SCREW</p> <p>8. 4873352-53 MOLDING</p> <p>9. 4875490-91 MOLDING
2-4842189 SCREW</p> <p>10. 4807561 MOLDING-UPR.
9-4876634 CLIP
2-4826785 SCREW</p> | <p>11. 4874466-67 MOLDING</p> <p>12. 4876160-61 MOLDING</p> <p>13. 4810642-43 MOLDING</p> <p>14. 4810617-18 MOLDING</p> <p>15. 4810624-25 MOLDING</p> <p>16. 9771333-34 MOLDING & CLIP PKG.
1-9772394 CLIP PKG.</p> <p>17. 3-4883155-56 ORNAMENT
12-1/8" NUT</p> <p>18. 4841990-91 MOLDING-UPR.
9-4845393 CLIP
2-9415568 SCREW</p> | <p>19. 4841996-97 MOLDING
4-4814614 CLIP
2-4825965 SCREW</p> <p>20. 4841992-93 MOLDING-LWR.
15-4845393 CLIP
2-9415568 SCREW</p> <p>21. 9771312-13 MOLDING & CLIP PKG.
1-9772267 CLIP PKG.</p> <p>22. 9771327-28 MOLDING & CLIP PKG.
1-9772396 CLIP PKG.</p> |
|---|---|--|---|



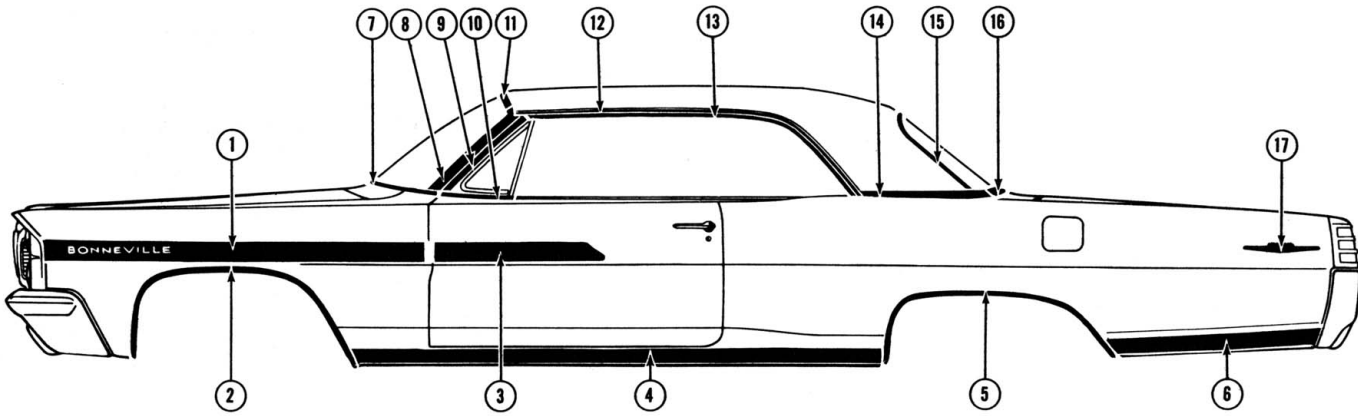
1963 BONNEVILLE 4-DOOR VISTA - 2839

- | | | | |
|---|--|--|--|
| <p>1. 9771356-57 MOLDING & CLIP PKG.
1-9772197 CLIP PKG.
4-4585528 SCREW</p> <p>2. 548741-42 MOLDING
4-4585528 SCREW
(BALANCE OF ATTACHING PARTS ARE SKIRT TO FENDER ATTACHMENTS)</p> <p>3. 9771314-15 MOLDING & CLIP PKG.
1-9772268 CLIP PKG.</p> <p>4. 9771617-18 MOLDING & CLIP PKG.
6-542533 RETAINER
1-542862 RETAINER</p> | <p>5. 9771321-22 MOLDING & CLIP PKG.</p> <p>6. 9771337-38 MOLDING & 1-9772395 CLIP PKG.
CLIP PKG.
1-9772395 CLIP PKG.</p> <p>7. 4873370-71 MOLDING-LWR.
9-4878288 CLIP
1-4878672-3 CLIP
9-#8-18 x 5/8" SCREW
2-#8-18 x 1/2" SCREW</p> <p>8. 4873252-53 MOLDING-SIDE
8-4876634 CLIP
4-4826785 SCREW</p> | <p>9. 4875750-51 MOLDING
2-4842189 SCREW</p> <p>10. 4405014-15 MOLDING</p> <p>11. 4873418 MOLDING-UPR.
9-4876634 CLIP
2-4826785 SCREW</p> <p>12. 4405000-01 MOLDING</p> <p>13. 4405006-07 MOLDING</p> <p>14. 4876025 MOLDING-UPR.
9-4815949 CLIP</p> | <p>15. 4880690-91 MOLDING
4-4876565 CLIP
2-4411673 CLIP
2-4826785 SCREW
2-4843565 NUT</p> <p>16. 4873708-09 MOLDING-SIDE
4-4815949 CLIP
4-4876634 CLIP
4-9415568 SCREW</p> <p>17. 4876024 MOLDING-LWR.
7-4815949 CLIP</p> <p>18. 2-4888590 EMBLEM
6-3/16" NUT
8-4826440 WASHER</p> |
|---|--|--|--|



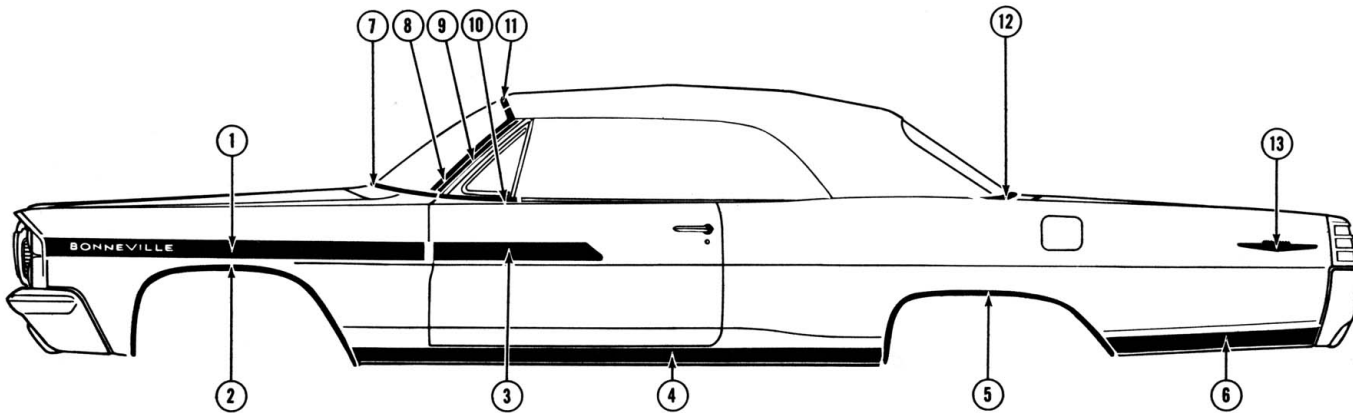
1963 BONNEVILLE 4-DOOR SAFARI STATION WAGON - 2835

- | | | | |
|---|--|---|--|
| <p>1. 9771356-57 MOLDING & CLIP PKG.
1-9772197 CLIP PKG.</p> | <p>5. 9771323-24 MOLDING & CLIP PKG.
1-9772395 CLIP PKG.</p> | <p>10. 4807561 MOLDING-UPR.
9-4876634 CLIP
2-4826785 SCREW</p> | <p>18. 4808214-15 MOLDING
8-4856473 CLIP
8-#8-32 x 5/16" SCREW</p> |
| <p>2. 548741-42 MOLDING
4-4585528 SCREW
(BALANCE OF ATTACHING PARTS ARE SKIRT TO FENDER ATTACHMENTS)</p> | <p>6. 4873368-69 MOLDING-LWR.
9-4878288 CLIP
1-4878672-3 CLIP
9-#8-18 x 3/8" SCREW
2-#8-18 x 1/2" SCREW</p> | <p>11. 4873854-55 MOLDING</p> | <p>19. 4808218-19 MOLDING
8-4856473 CLIP
8-#8-32 x 5/16" SCREW</p> |
| <p>3. 9771314-15 MOLDING & CLIP PKG.
1-9772268 CLIP PKG.</p> | <p>7. 4873364-65 MOLDING-SIDE
8-4876634 CLIP
4-4826785 SCREW</p> | <p>12. 4876160-61 MOLDING</p> | <p>20. 4810935-36 MOLDING</p> |
| <p>4. 9771619-20 MOLDING & CLIP PKG.
6-542533 RETAINER
1-542862 RETAINER</p> | <p>8. 4873352-53 MOLDING</p> | <p>13. 4810642-43 MOLDING</p> | <p>21. 4811828 MOLDING
8-4836199 CLIP</p> |
| | <p>9. 4875490-91 MOLDING
2-4842189 SCREW</p> | <p>14. 4810617-18 MOLDING</p> | <p>22. 4835767-68 MOLDING
6-4836199 CLIP</p> |
| | | <p>15. 4810626-27 MOLDING</p> | <p>23. 4888590 EMBLEM
3-3/16" NUT
3-4876148 CLIP
8-4826440 WASHER</p> |
| | | <p>16. 4810613-14 MOLDING</p> | |
| | | <p>17. 4808232-33 MOLDING
4-4799768 SCREW</p> | |



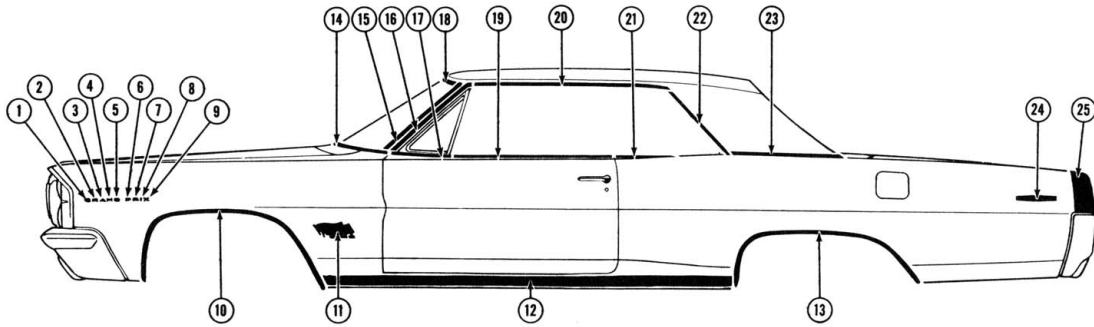
1963 BONNEVILLE 2-DOOR SPORT COUPE - 2847

- | | | | |
|---|--|---|--|
| 1. 9771356-57 MOLDING & CLIP PKG.
1-9772197 CLIP PKG. | 5. 9771321-22 MOLDING & CLIP PKG.
1-9772395 CLIP PKG. | 9. 4875848-49 MOLDING
8-4829088 SCREW | 14. 4840710-11 MOLDING
2-4402136 BOLT & CLIP
2-4402137 BOLT & CLIP
2-4402138 BOLT & CLIP
6-4815690 NUT |
| 2. 548741-42 MOLDING
4-4585528 SCREW
(BALANCE OF ATTACHING PARTS ARE SKIRT TO FENDER ATTACHMENTS) | 6. 9771337-38 MOLDING & CLIP PKG.
1-9772395 CLIP PKG. | 10. 4875754-55 MOLDING
2-4842189 SCREW | 15. 4838508-09 MOLDING-UPR.
12-4815949 CLIP |
| 3. 9771314-15 MOLDING & CLIP PKG.
1-9772268 CLIP PKG. | 7. 4873372-73 MOLDING-LWR.
9-4878288 CLIP
1-4878672-3 CLIP
9-#8-18 x 3/8" SCREW
2-#8-18 x 1/2" SCREW | 11. 4838489 MOLDING-UPR.
9-4815949 CLIP
2-4826785 SCREW | 16. 4839944 MOLDING-LWR.
6-4815455 CLIP
6-4815949 CLIP |
| 4. 9771617-18 MOLDING & CLIP PKG.
6-542533 RETAINER
1-542862 RETAINER | 8. 4873358-59 MOLDING-SIDE
6-#8-18 x 1/4" SCREW | 12. 4839213-14 MOLDING | 17. 2-4888590 EMBLEM
6-3/16" NUT
8-4826440 WASHER |



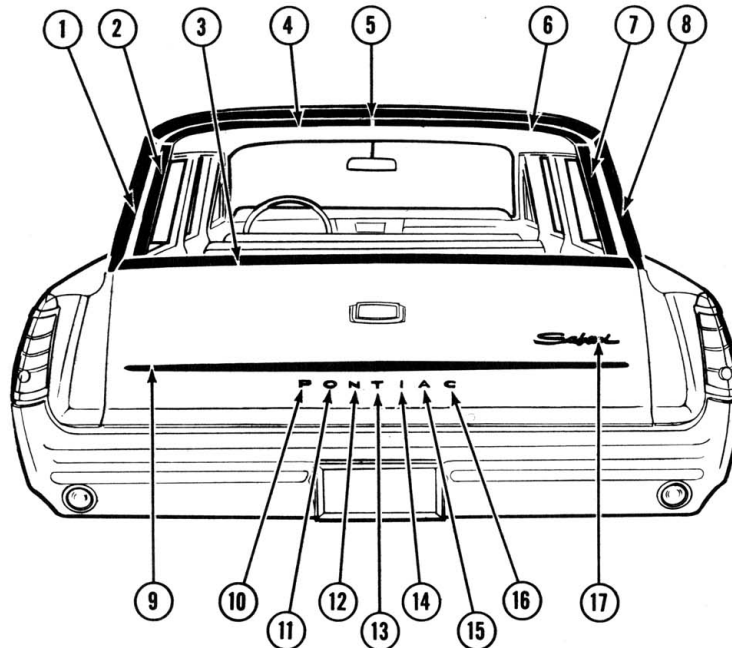
1963 BONNEVILLE CONVERTIBLE COUPE - 2867

- | | | | |
|---|---|---|---|
| 1. 9771356-57 MOLDING & CLIP PKG.
1-9772197 CLIP PKG. | 4. 9771617-18 MOLDING & CLIP PKG.
6-542533 RETAINER
1-542862 RETAINER | 7. 4873372-73 MOLDING-LWR.
9-4878288 CLIP
1-4878672-3 CLIP
9-#8-18 x 3/16" SCREW
2-#8-18 x 1/2" SCREW | 11. 4811849 MOLDING-UPR.
4-4759766 BOLT & CLIP
4-9419761 SCREW
2-#8-18 x 3/8" SCREW |
| 2. 548741-42 MOLDING
4-4585528 SCREW
(BALANCE OF ATTACHING PARTS ARE SKIRT TO FENDER ATTACHMENTS) | 5. 9771321-22 MOLDING & CLIP PKG.
1-9772395 CLIP PKG. | 8. 4873360-61 MOLDING-SIDE
4-#8-18 x 1/4" SCREW
2-9415944 SCREW | 12. 4819550-51 MOLDING
6-4819694 CLIP
6-4819695 CLIP
3-4879760 SCREW
3-4773448 FASTENER |
| 3. 9771314-15 MOLDING & CLIP PKG.
1-9772268 CLIP PKG. | 6. 9771337-38 MOLDING & CLIP PKG.
1-9772395 CLIP PKG. | 9. 4872828-29 MOLDING
8-4829088 SCREW | 13. 2-4888590 EMBLEM
6-3/16" NUT
8-4826440 WASHER |
| | | 10. 4875754-55 MOLDING
2-4842189 SCREW | |



1963 GRAND PRIX 2-DOOR SPORT COUPE - 2957

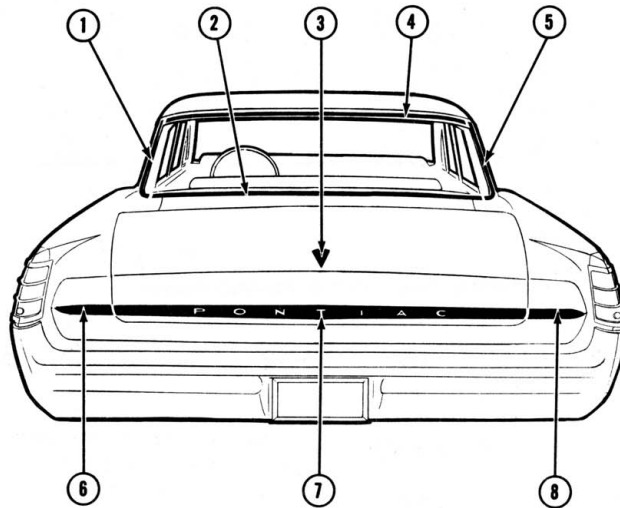
- | | | | |
|---|---|---|---|
| <p>1. 2-9770891 LETTER "G"
1-541236 NUT & SEALER</p> <p>2. 2-9770892 LETTER "R"
1-541236 NUT & SEALER</p> <p>3. 2-9770893 LETTER "A"
1-541236 NUT & SEALER</p> <p>4. 2-9770894 LETTER "N"
1-541236 NUT & SEALER</p> <p>5. 2-9770895 LETTER "D"
1-541236 NUT & SEALER</p> <p>6. 2-9770896 LETTER "P"
1-541236 NUT & SEALER</p> <p>7. 2-9770892 LETTER "R"
1-541236 NUT & SEALER</p> <p>8. 2-9770897 LETTER "I"
1-541236 NUT & SEALER</p> | <p>9. 2-9770898 LETTER "X"
1-541236 NUT & SEALER</p> <p>10. 548741-42 MOLDING
4-458528 SCREW
(BALANCE OF ATTACHING PARTS ARE SKIRT TO FENDER ATTACHMENTS)</p> <p>11. 9770035-36 EMBLEM
2-3764146 NUT & SEALER</p> <p>12. 9771615-16 MOLDING & CLIP PKG.
6-542533 RETAINER
1-542862 RETAINER</p> <p>13. 9771321-22 MOLDING & CLIP PKG.
1-9772395 CLIP PKG.</p> | <p>14. 4873370-71 MOLDING-LWR.
9-4878288 CLIP
1-4878672-3 CLIP
9-#8-18 x 3/8" SCREW
2-#8-18 x 1/2" SCREW</p> <p>15. 4873252-53 MOLDING-SIDE
8-4876634 CLIP
4-4826785 SCREW</p> <p>16. 4405014-15 MOLDING</p> <p>17. 4875748-49 MOLDING
2-4842189 SCREW</p> <p>18. 4873418 MOLDING-UPR.
9-4876634 CLIP
2-4826785 SCREW</p> | <p>19. 4879148-49 MOLDING
4-9417929 SCREW
2-#8-18 x 1/2" SCREW</p> <p>20. 4405004-05 MOLDING</p> <p>21. 4878274-75 MOLDING
6-#8-18 x 1/2" SCREW</p> <p>22. 4879030-31 MOLDING
2-#8-18 x 1/4" SCREW</p> <p>23. 4875878-79 MOLDING
4-#10-24 x 3/8" SCREW</p> <p>24. 2-4884344 EMBLEM
4-4883368 NUT
4-4826440 WASHER</p> <p>25. 9771349-50 MOLDING & CLIP PKG.
1-9772399 CLIP PKG.</p> |
|---|---|---|---|



- | | |
|--|--|
| <p>1. 4835768 MOLDING
3-4836199 CLIP</p> <p>2. 4811928 MOLDING
2-#8-18 x 1/4" SCREW</p> <p>3. 4892764 MOLDING
9-9417929 SCREW
2-#8-32 x 3/8" SCREW</p> | <p>4. 4813418 MOLDING
3-9415568 SCREW</p> <p>5. 4811828 MOLDING
8-4836199 CLIP</p> <p>6. 4813417 MOLDING
3-9415568 SCREW</p> |
|--|--|

1963 CATALINA SAFARI STATION WAGON - 2335-45 (REAR END VIEW)

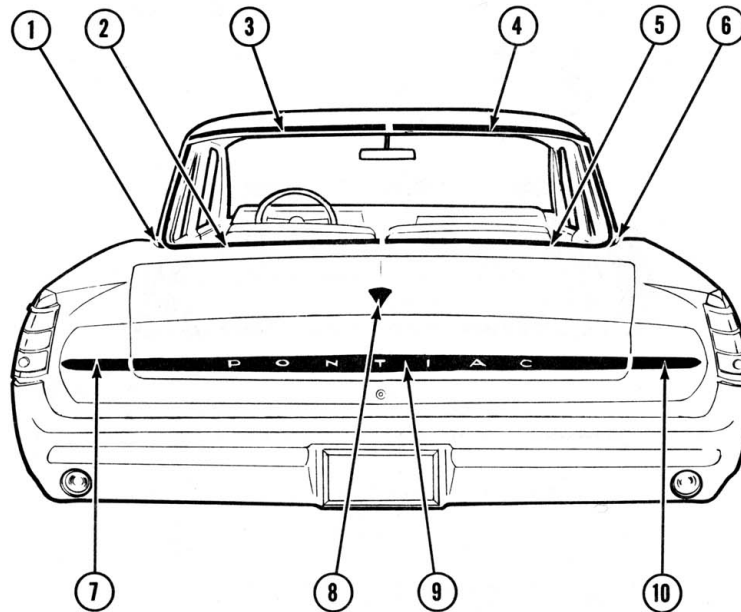
- | | | | |
|---|--|--|--|
| <p>7. 4811927 MOLDING
2-#8-18 x 1/4" SCREW</p> <p>8. 4835767 MOLDING
3-4836199 CLIP</p> <p>9. 4886292 MOLDING
9-1/4" NUT
9-4804455 WASHER</p> | <p>10. 4886869 LETTER "P"
2-4889279 CLIP</p> <p>11. 4886870 LETTER "O"
2-4889279 CLIP</p> <p>12. 4886871 LETTER "N"
2-4889279 CLIP</p> | <p>13. 4886872 LETTER "T"
2-4889279 CLIP</p> <p>14. 4886873 LETTER "I"
2-4889279 CLIP</p> <p>15. 4886874 LETTER "A"
2-4889279 CLIP</p> | <p>16. 4886875 LETTER "C"
2-4889279 CLIP</p> <p>17. 4786428 NAME PLATE
4-9419761 NUT</p> |
|---|--|--|--|



1963 CATALINA 4-DOOR VISTA - 2339 (REAR END VIEW)

- | | | | |
|---|--|---|--|
| <p>1. 4873709 MOLDING-SIDE
2-4815949 CLIP
2-4876634 CLIP
2-9415568 SCREW</p> | <p>3. 4884957 EMBLEM
2-4821859 NUT
2-4817285 WASHER</p> | <p>5. 4873708 MOLDING-SIDE
2-4815949 CLIP
2-4876634 CLIP
2-9415568 SCREW</p> | <p>7. 9771341 MOLDING & CLIP PKG.
1-9771797 * CLIP PKG.</p> |
| <p>2. 4876024 MOLDING-LWR.
7-4815949 CLIP</p> | <p>4. 4876025 MOLDING-LWR.
9-4815949 CLIP</p> | <p>6. 9771346 MOLDING & CLIP PKG.
1-9771797 * CLIP PKG.</p> | <p>8. 9771345 MOLDING & CLIP PKG.
1-9771797 * CLIP PKG.</p> |

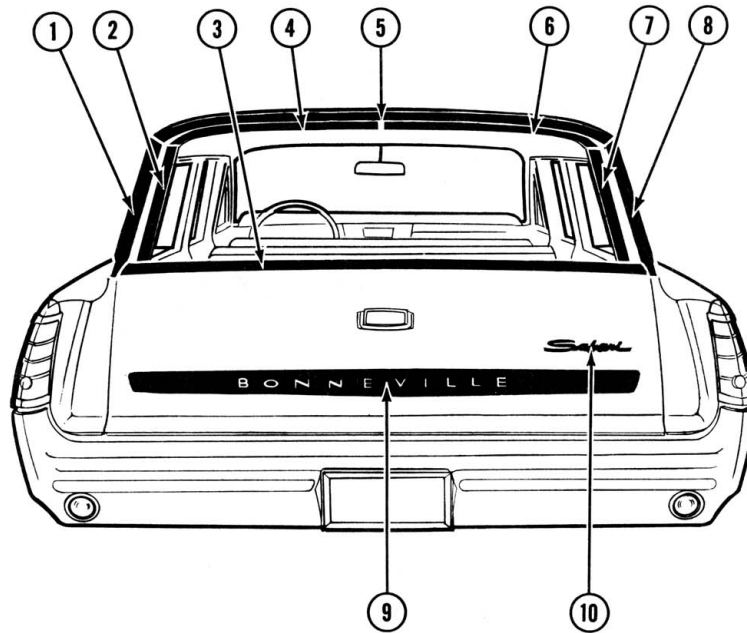
* NOTE: ONE CLIP PKG. REQUIRED TO REPLACE ALL MOLDINGS.



1963 CATALINA 4-DOOR SEDAN - 2369 (REAR END VIEW)

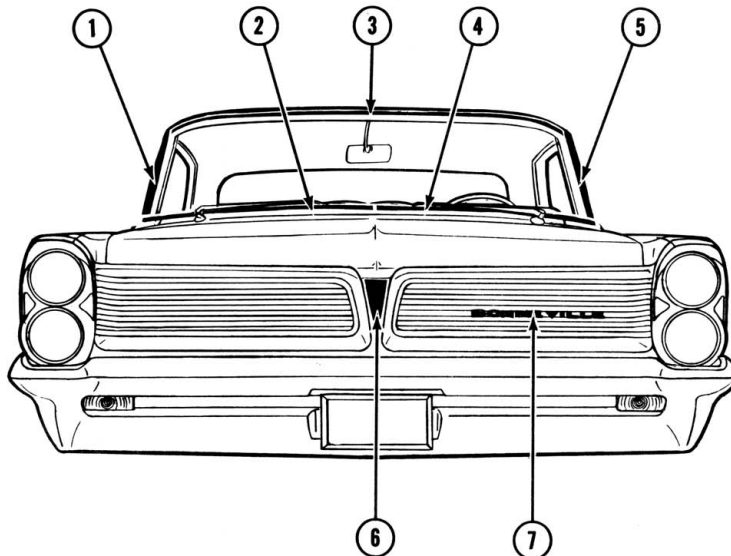
- | | | | |
|--|--|--|---|
| <p>1. 4841997 MOLDING
2-4814614 CLIP
1-4825965 SCREW</p> | <p>4. 4841990 MOLDING-UPR.
4-4845393 CLIP
1-9415568 SCREW</p> | <p>7. 9771346 MOLDING & CLIP PKG.
1-9771797 * CLIP PKG.</p> | <p>9. 9771341 MOLDING & CLIP PKG.
1-9771797 * CLIP PKG.</p> |
| <p>2. 4841993 MOLDING-LWR.
8-4845393 CLIP
1-9415568 SCREW</p> | <p>5. 4841992 MOLDING-LWR.
7-4845393 CLIP
1-9415568 SCREW</p> | <p>8. 4884957 EMBLEM
2-4821859 NUT
2-4817285 WASHER</p> | <p>10. 9771345 MOLDING & CLIP PKG.
1-9771797 * CLIP PKG.</p> |
| <p>3. 4841991 MOLDING-UPR.
5-4845393 CLIP
1-9415568 SCREW</p> | <p>6. 4841996 MOLDING
2-4814614 CLIP
1-4825965 SCREW</p> | | |

* NOTE: ONE CLIP PKG. REQUIRED TO REPLACE ALL MOLDINGS.



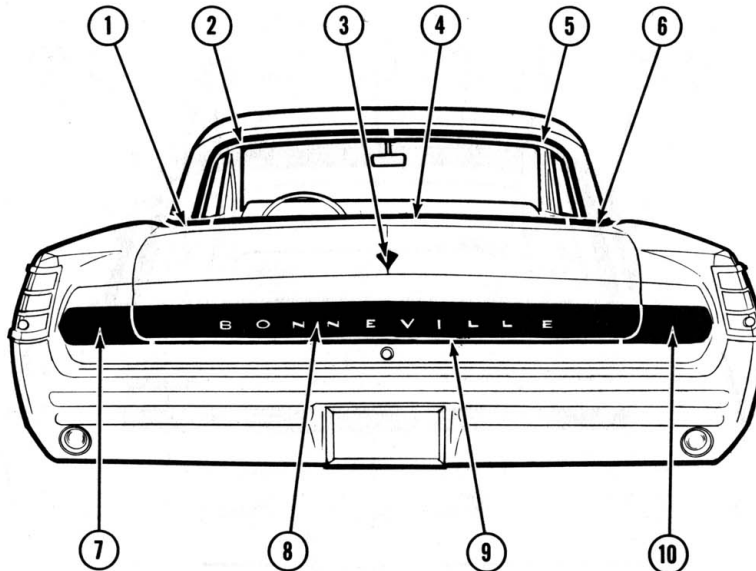
1963 BONNEVILLE SAFARI STATION WAGON - 2835 (REAR END VIEW)

- | | | | |
|---|---------------------------------------|--|--|
| 1. 4835768 MOLDING
3-4836199 CLIP | 4. 4813418 MOLDING
3-9415568 SCREW | 7. 4811927 MOLDING
2-#8-18 x 1/4" SCREW | 9. 4880639 MOLDING
9-1/4" NUT
9-4804455 WASHER |
| 2. 4811928 MOLDING
2-#8-18 x 1/4" SCREW | 5. 4811828 MOLDING
8-4836199 CLIP | 8. 4835767 MOLDING
3-4836199 CLIP | 10. 4786428 NAME PLATE
4-9419761 NUT |
| 3. 4892764 MOLDING
9-9417929 SCREW
2-#8-32 x 3/8" SCREW | 6. 4813417 MOLDING
3-9415568 SCREW | | |



1963 BONNEVILLE 2-DOOR SPORT COUPE - 2847 (FRONT END VIEW)

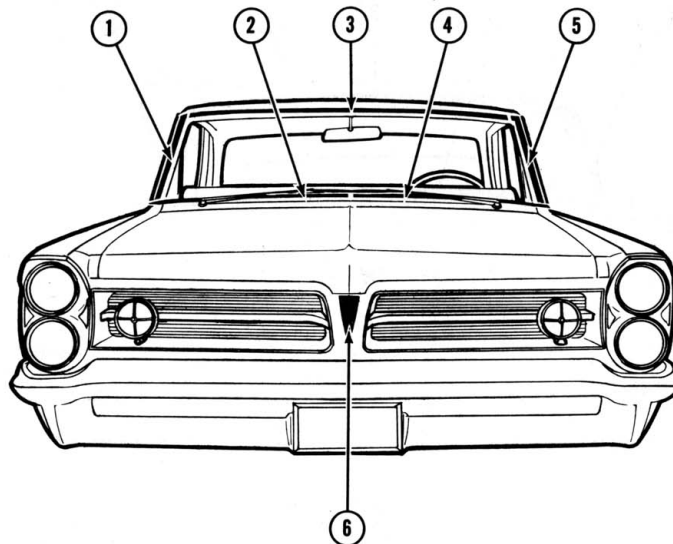
- | | | | |
|---|---|---|--|
| 1. 4873358 MOLDING-SIDE
3-#8-18 x 1/4" SCREW | 3. 4838489 MOLDING-UPR.
9-4815949 CLIP
2-4826785 SCREW | 5. 4873359 MOLDING-SIDE
3-#8-18 x 1/4" SCREW | 7. 548757 NAME PLATE
"BONNEVILLE"
2-271472 NUT |
| 2. 4873372 MOLDING-LWR.
5-4878288 CLIP
1-4878672 CLIP
5-#8-18 x 3/8" SCREW
1-#8-18 x 1/2" SCREW | 4. 4873373 MOLDING-LWR.
4-4878288 CLIP
1-4878673 CLIP
4-#8-18 x 3/8" SCREW
1-#8-18 x 1/2" SCREW | 6. 544965 EMBLEM
2-3/16" NUT | 7. 9770001 NAME PLATE
"PONTIAC"
2-271472 NUT |



1963 BONNEVILLE 2-DOOR SPORT COUPE - 2847 (REAR END VIEW)

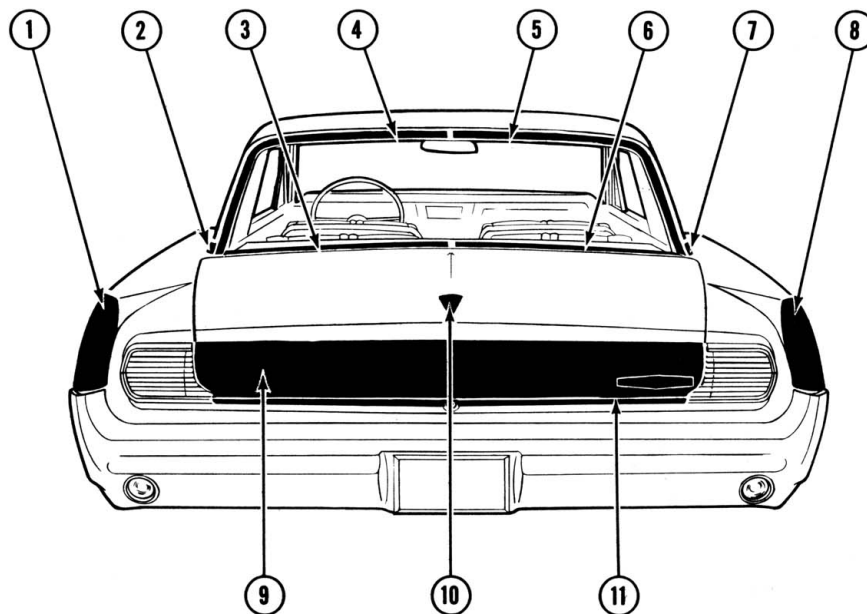
- | | | | |
|--|---|---|--|
| <p>1. 4840711 MOLDING
1-4402136 BOLT & CLIP
1-4402137 BOLT & CLIP
1-4402138 BOLT & CLIP
3-4815690 NUT</p> <p>2. 4838509 MOLDING-UPR.
6-4815949 CLIP</p> <p>3. 4884957 EMBLEM
2-4821859 NUT
2-4817285 WASHER</p> | <p>4. 4839944 MOLDING-LWR.
6-4815455 CLIP
6-4815949 CLIP</p> <p>5. 4838508 MOLDING-UPR.
6-4815949 CLIP</p> <p>6. 4840710 MOLDING
1-4402136 BOLT & CLIP
1-4402137 BOLT & CLIP
1-4402138 BOLT & CLIP
3-4815690 NUT</p> | <p>7. 9771343 MOLDING &
CLIP PKG.
1-9771797 * CLIP PKG.</p> <p>8. 9771340 MOLDING &
CLIP PKG.
1-9771797 * CLIP PKG.</p> | <p>9. 9771344 MOLDING &
CLIP PKG.
1-9771797 * CLIP PKG.</p> <p>10. 9771342 MOLDING &
CLIP PKG.
1-9771797 * CLIP PKG.</p> |
|--|---|---|--|

* NOTE: ONE CLIP PKG. REQUIRED TO REPLACE ALL MOLDINGS.



1963 GRAND PRIX 2-DOOR SPORT COUPE - 2957 (FRONT END VIEW)

- | | | |
|--|--|--|
| <p>1. 4873252 MOLDING-SIDE
4-4876634 CLIP
2-4826785 SCREW</p> <p>2. 4873370 MOLDING-LWR.
5-4878288 CLIP
1-4878672 CLIP
5-#8-18 x 3/8" SCREW
1-#8-18 x 1/2" SCREW</p> | <p>3. 4873418 MOLDING-UPR.
9-4876634 CLIP
2-4826785 SCREW</p> <p>4. 4873371 MOLDING-LWR.
4-4878288 CLIP
1-4878673 CLIP
4-#8-18 x 3/8" SCREW
1-#8-18 x 1/2" SCREW</p> | <p>5. 4873253 MOLDING-SIDE
4-4876634 CLIP
2-4826785 SCREW</p> <p>6. 9771084 EMBLEM
2-3/16" NUT</p> |
|--|--|--|



1963 GRAND PRIX 2-DOOR SPORT COUPE - 2957 (REAR END VIEW)

- | | | | |
|--|--|--|--|
| <p>1. 9771350 MOLDING &
CLIP PKG.
1-9772399 CLIP PKG.</p> | <p>4. 4880556 MOLDING-UPR.
7-4876634 CLIP</p> | <p>7. 4875878 MOLDING
4-#10-24 x 3/8" SCREW</p> | <p>10. 4402210 EMBLEM
2-4821859 NUT
2-4817285 WASHER</p> |
| <p>2. 4875879 MOLDING
4-#10-24 x 3/8" SCREW</p> | <p>5. 4880555 MOLDING-UPR.
7-4876634 CLIP</p> | <p>8. 9771349 MOLDING &
CLIP PKG.
1-9772399 CLIP PKG.</p> | <p>11. 4881407 MOLDING
6-4821859 NUT
1-4884798 GASKET</p> |
| <p>3. 4880554 MOLDING-LWR.
6-4876634 CLIP
1-9415568 SCREW</p> | <p>6. 4880553 MOLDING-LWR.
6-4876634 CLIP
1-9415568 SCREW</p> | <p>9. 9771339 MOLDING &
CLIP PKG.
1-9771797 CLIP PKG.</p> | |

