

AMA Specifications – Passenger Car

The information contained herein is prepared, distributed by, and is solely the responsibility of the automobile manufacturing company to whose products it relates. Questions concerning these specifications should be directed to the manufacturer whose address is shown below. This uniform specification form was developed by the automobile manufacturing companies under the auspices of the Automobile Manufacturers Association.

MANUFACTURER STUDEBAKER CORPORATION		CAR NAME STUDEBAKER LARK SIX CYLINDER	
MAILING ADDRESS 635 South Main Street South Bend 27, Indiana	MODEL YEAR 1963		ISSUED: August, 1962
	REVISÉD (•)		

NOTES:

1. The Specifications herein are those in effect at date of compilation and are subject to change without notice by the manufacturer.
2. UNLESS OTHERWISE INDICATED:
 - a. Specifications apply to standard models without optional equipment. Significant deviations are noted.
 - b. Nominal design dimensions are used throughout these specifications.

TABLE OF CONTENTS

General Specifications 1	Drive Units 15	Rear Suspension 21	Body & Car - General 22
Engine - Mechanical 2	Brakes 18	Body Dimensions 22	Weights 33
Electrical 10	Front Suspension & Steering . . 19	Station Wagon 31	Index 37

BODY—TYPES AND STYLE NAMES—

Body type, number of passenger & style names; use manufacturer's code for series & body style.

2 Door Sedan	6 Pass	63S-F4
4 Door Sedan	6 Pass	63S-Y4
4 Door Sedan	6 Pass	63S-Y6
2 Door Sedan Hardtop	6 Pass	63S-J8-Daytona Luxury
4 Door Station Wagon	6 Pass	63S-P4
4 Door Station Wagon	6 Pass	63S-P8-Daytona Luxury
2 Door Convertible	6 Pass	63S-L8-Daytona Luxury

AMA Specifications – Passenger Car

MAKE OF CAR Studebaker MODEL YEAR 1963 DATE ISSUED 8-1962 REVISED(•)

GENERAL SPECIFICATIONS

(All dimensions in inches unless otherwise indicated)

MODEL	Additional Information Page No.:	6 Cyl. Lark		
Wheelbase (L101)	23	F,J,L-109"	Y,P-113"	
Tread	Front (W101)	22	57-3/8"	
	Rear (W102)	22	56-9/16"	
Maximum Overall Dimensions	Length (L103)	23	F,J,L-184"	Y-188" P-187"
	Width (W103)	22	71-1/4"	
	Height (H101)	24	F,J,Y-55-3/4"	P-57"
Transmission— (Specify trade name - opt., not available)	Manual	15	3-Speed Standard	
	Overdrive	16	Optional	
	Automatic	16	Flightomatic-Optional	
Axle ratio	Manual	17	F,J,Y-3.73	P,L - 4.1
	Overdrive	17	F,J,Y-4.1	P,L - 4.56
	Automatic	17	3.73	
Tire size - Standard	18	F,J,L,P 6.00x15	L-6.50x15	
Engine	Type, no. cyl., valve arr.	2	In Line - 6 Cyl. - OHV	
	Fuel system (Carb., other)	8	Carburetor	
	Bore and stroke	2	3" x 4"	
	Piston displ., cu.in.	2	169.6	
	Std. compression ratio	2	8.25	
	Max. bhp at engine rpm	2	112 @ 4500	
	Max. torque at rpm	2	154 @ 2000	

Note - For Power Team Options See Page 3

AMA Specifications—Passenger Car

MAKE OF CAR Studebaker **MODEL YEAR** 1963 **DATE ISSUED** 8-1962 **REVISED** (*)
MODEL 6 Cyl. Lark

ENGINE—GENERAL

Type, no. cyls., valve arr.		In Line - 6-Cyl. - OHV
Bore and stroke (nominal)		3" x 4"
Piston displacement, c.u. in.		169.6
Bore spacing (C/L to C/L)		3.312"-(1-2, 3-4, 5-6) 3.625"-(2-3, 4-5)
No. system (front to rear)	L. Bank	1-2-3-4-5-6
	R. Bank	"
Firing order		1-5-3-6-2-4
Compres. ratio (nominal)		8.25
Cylinder Head Material		Cast Iron
Cylinder Block Material		Cast Iron
Cylinder Sleeve—Wet, dry, none		None
Number of mounting points	Front	2
	Rear	1-(2 with automatic trans.)
Engine installation angle		F, J, Y, P-6°-31'-15" L-6°-35'-15"
Taxable horsepower $\frac{\text{Dia.}^2 \times \text{No. Cyl.}}{2.5}$		21.6
Published max. bhp* @ eng. RPM		112 @ 4500
Published max. torque* (lb. ft. @ RPM)		154 @ 2000
Recommended fuel regular - premium		Regular
Idle speed (spec. neutral or drive)	Manual	550 Neutral
	Automatic	550 Neutral

ENGINE—PISTONS

Material		F-132 Aluminum	
Description and finish		Cam Ground, Tin Plated - T - Slot	
Weight (piston only) oz.		10.6	
Clearance (limits)	Top land	.016" - .0185"	
	Skirt	Top	Selective Fit
		Bottom	Selective Fit
Ring groove depth	No. 1 ring	.016" - .167"	
	No. 2 ring	.145" - .152"	
	No. 3 ring	.165" - .172"	
	No. 4 ring	None	

* Max. bhp (brake horsepower) and max. torque corrected as defined by SAE Engine Test Code.

AMA Specifications – Passenger Car

MAKE OF CAR Studebaker **MODEL YEAR** 1963 **DATE ISSUED** 8-1962 **REVISED (a)** _____

POWER TEAMS

(Indicate whether standard or optional)

MODEL AVAILABILITY	ENGINE					TRANSMISSION	AXLE RATIO (Std. first)
	Displ. cu. in.	Carburetor	Compr. Ratio	BHP @ RPM	Torque @ RPM		
63S-F,J,Y,L	169.6	Single	8.25	112 @ 4500	154 @ 2000	Std. - 3-Speed Opt.-Overdrive Opt.-Automatic	3.73, 3.31, 4.10 4.10, 3.73, 4.56 3.73, 4.10
63S-P						Std. - 3-Speed Opt.-Overdrive Opt.-Automatic	4.10, 3.73 4.56, 4.10 3.73, 4.10

AMA Specifications – Passenger Car

MAKE OF CAR Studebaker MODEL YEAR 1963 DATE ISSUED 8-1962 REVISED (*)

MODEL _____ 6 Cyl. Lark

ENGINE—RINGS

Function (top to bottom)	No. 1, oil or comp.	Compression
	No. 2, oil or comp.	Compression
	No. 3, oil or comp.	Oil
	No. 4, oil or comp.	None
Compression	Description - material, type, coating, etc.	Cast Iron - Ferrox
	Width	#1-.093" #2-.125"
	Gap	.007"-.017"
Oil	Description - material, type, coating, etc.	Cast Iron - Blued
	Width	.156
	Gap	F,J,Y,P - .007"-.015" L-.007"-.017"
Expanders		Behind Oil Ring

ENGINE—PISTON PINS

Material	C.D. Steel-SAE-1118		
Length	2.625"		
Diameter	.750"		
Type	Locked in rod, in piston, floating, etc.	Clamped In Rod	
	Bushing	In rod or piston	None
		Material	None
Clearance	In piston	.0001"-.0003"	
	In rod	None	
Direction & amount offset in piston	None		

ENGINE—CONNECTING RODS

Material	Special D.F. Steel - C-1041	
Weight (oz.)	19.04	
Length (center to center)	6.375	
Bearing	Material & Type	Steel Back-Aluminum Babbitt Overlay
	Overall length	.900"-.910"
	Clearance (limits)	.00025"-.00275"
	End play	.005"-.009"

AMA Specifications—Passenger Car

MAKE OF CAR Studebaker **MODEL YEAR** 1963 **DATE ISSUED** 8-1962 **REVISED** (*)

MODEL 6 Cyl. Lark

ENGINE—CRANKSHAFT

Material		D. F. Steel (SAE 1046)-Type 07		
Vibration damper type		Rubber Mounted Disc		
End thrust taken by bearing (No.)		One		
Crankshaft end play		.003" - .006"		
Main bearing	Material & type		Steel Back - Babbitt Lined	
	Clearance		#1 (.0002" - .0019") #2,3,4 (.0003" - .0024")	
	Journal dia. and bearing overall length	No. 1	3.062"x1.345"	L-3.062"x1.343"
		No. 2	3.062"x1.125"	L-3.062"x1.325"
		No. 3	3.062"x1.125"	L-3.062"x1.375"
		No. 4	3.062"x1.531"	L-3.062"x1.781"
		No. 5	-	-
		No. 6	-	-
No. 7		-	-	
Dir. & amt. cyl. offset		None		
Crankpin journal diameter		1.81175" - 1.81275"		

ENGINE—CAMSHAFT

Location		Cylinder Block - Right Side	
Material		Alloy - Cast Iron	
Bearings	Material	Steel Back - Babbitt Lined	
	Number	4	
Gear or chain		Gear	
Crankshaft gear or sprocket material		Cast Iron	
Type of Drive	Camshaft gear or sprocket material		Celeron With Steel Hub
	Timing chain	No. of links	None
		Width	None
		Pitch	None

ENGINE—VALVE SYSTEM

Hydraulic lifters (Std, opt, NA)		N.A.	
Valve rotator, type (intake, exhaust)		None	
Rocker ratio		1.5:1	
Operating tappet clearance (indicate hot or cold)	Intake) and)	(.023" - .025" - Hot	
	Exhaust)	(.025" - .027" - Cold	
Timing marks on flywheel, damper, other		Damper	

(Continued)

MAKE OF CAR Studebaker MODEL YEAR 1963 DATE ISSUED 8-1962 REVISED(*)

MODEL 6 Cyl. Lark

ENGINE—VALVE SYSTEM (cont.)

Timing	Intake	Opens (°BTC)	15°	
		Closes (°ABC)	50° - 36'	
		Duration - deg.	245° - 36'	
	Exhaust	Opens (°BBC)	55° - 36'	
		Closes (°ATC)	10°	
		Duration - deg.	245° - 36'	
Valve opening overlap		25°		
Intake	Material		SAE-8645 (SAE-1047 Optional)	
	Overall length		5.250"	
	Actual overall head dia.		1.539"	
	Angle of seat & face		45°	
	Seat insert material		None	
	Stem diameter		.343"	
	Stem to guide clearance		.0015" - .0035"	
	Lift (@ zero lash)		.375"	
	Outer spring press. and length	Valve closed (lb. @ in.)	45 to 55 @ 2.031"	
		Valve open (lb. @ in.)	105 to 115 @ 1.671"	
	Inner spring press. and length	Valve closed (lb. @ in.)	None	
		Valve open (lb. @ in.)	None	
	Exhaust	Material		SAE-2112-N
		Overall length		5.250
Actual overall head dia.		1.406"		
Angle of seat & face		45°		
Seat insert material		None		
Stem diameter		.343"		
Stem to guide clearance		.0015" - .0035"		
Lift (@ zero lash)		.375"		
Outer spring press. and length		Valve closed (lb. @ in.)	45 to 55 @ 2.031"	
		Valve open (lb. @ in.)	105 to 115 @ 1.671"	
Inner spring press. and length	Valve closed (lb. @ in.)	None		
	Valve open (lb. @ in.)	None		

ENGINE—LUBRICATION SYSTEM

Type of lubrication (splash, pressure, nozzle)	Main bearings	Pressure
	Connecting rods	Pressure
	Piston pins	Splash
	Camshaft bearings	Pressure
	Tappets	Pressure
	Timing gear or chain	Directed Jet
	Cylinder walls	Directed Jet

(Continued)

AMA Specifications – Passenger Car

MAKE OF CAR Studebaker **MODEL YEAR** 1963 **DATE ISSUED** 8-1962 **REVISED** (*)
MODEL 6 Cyl. Lark

ENGINE—LUBRICATION SYSTEM (cont.)

Oil pump type	Spur Gear
Normal oil pressure (lb. @ engine rpm)	Min. - 30 lbs 2000 rpm
Oil pressure sending unit (elect. or mech.)	Electric
Type oil intake (floating, stationary)	Stationary
Oil filter system (full flow, partial, other)	Full Flow *
Filter replacement (element, complete)	Both Types - Special Orders
Capacity of crankcase, less filter-refill (qt.)	Five
Oil grade recommended (SAE viscosity and temperature range)	Above +32° = SAE 30 - or - 10W 30 Above +10° = SAE 20 - or - 10W 30 Above -10° = SAE 10W - or - 10W 30 Under -10° = SAE 5W - or - 5W 20
Engine Service Requirement (MM, MS, etc.)	MS Alone or In Combination With MM, M1, DG

ENGINE—EXHAUST SYSTEM

Type (single, single with cross-over, dual, other)	Single
Muffler No. & type (reverse flow, straight thru, separate resonator)	Single One - Reverse Flow
Exhaust pipe dia. (O.D. & wall thickness)	Branch ----- Main 1.750" x .0478"
Tail pipe diameter (O.D. & wall thickness)	1.750" x .0478"

ENGINE—CRANKCASE VENTILATION SYSTEM

Type (ventilates to atmos., Induction system, other)	Standard	Induction System
	Optional	-----
Control unit	Make and model	Carter C-3557-S
	Location	Intake Manifold
	Energy source (manifold vacuum, carburetor air stream, other)	Manifold Vacuum
	Control method (variable orifice, fixed orifice, other)	Variable Orifice
Complete system	Discharges (to intake manifold, carb. air intake, air cleaner Intake, other)	Intake Manifold
	Air Inlet (breather cap, carburetor air cleaner, other)	Breather Cap
	Flame arrestor (screen, check valve, other)	Check Valve

* F4 Oil Filter Optional

AMA Specifications— Passenger Car

MAKE OF CAR Studebaker MODEL YEAR 1963 DATE ISSUED 8-1962 REVISED (*)

6 Cyl. Lark

MODEL _____

ENGINE—FUEL SYSTEM

(See Supplement to Page 8 for Details of Fuel Injection, Supercharger, etc. if used)

Induction type: Carburetor, fuel injection, supercharger.		Carburetor	
Fuel Tank	Capacity (gals.)	18	
	Filler location	Lower Deck Lid Panel - Center	
Fuel Pump	Type (elec. or mech.)	Mechanical	
	Locations	Right Front of Engine	
	Pressure range	4 - 5-1/2 P.S.I.	
Vacuum booster (std., optional, none)		None	
Fuel Filter	Type	Plasticized Paper	
	Locations	Fuel Pump - Intake Side	
Carburetor	Choke type	Automatic	
	Intake manifold heat control (exhaust or water)	Exhaust	
	Air clnr. type	Standard	Plasticized Paper
		Optional	Oil Bath

CARBURETOR SUPPLEMENTARY INFORMATION

Model Usage	Engine Displ.	Transmission	Carburetors		No. Used and Type	Barrel Size
			Make	Model		
63S	169.6	Std.-3 Speed Opt.-Overdrive Opt.-Automatic	Carter	RBS-3538S	One Down Draft	1.56

MAKE OF CAR Studebaker **MODEL YEAR** 1963 **DATE ISSUED** 8-1962 **REVISED(*)**
MODEL _____ 6 Cyl. Lark

ENGINE—COOLING SYSTEM

Type system (pressure, pressure vented, atmospheric, other)		Pressure - Atmospheric Vented		
Radiator cap relief valve pressure		13 lbs		
Circulation thermostat	Type (choke, bypass)	Choke		
	Starts to open at (°F)	170°		
Water pump	Type (centrifugal, other)	Centrifugal		
	GPM @ 1000 pump rpm	10.4		
	Number of pumps	One		
	Drive (V-belt, other)	V-Belt		
	Bearing type	Sealed Double Row Ball		
By-pass recirculation type (internal, external)		Internal		
Radiator core type (cellular, tube and fin, other)		Cellular - Tubular		
Cooling system capacity	With heater (qt.)	12		
	Without heater (qt.)	11		
	Opt. equipment-specify (qt.)	None		
Water jackets full length of cylinder (yes, no)		Yes		
Water all around cylinder (yes, no)		No		
Radiator hose	Lower	Number and type (molded, straight)	One - Moulded	
		Inside diameter	1.500	
	Upper	Number and type (molded, straight)	One - Moulded	
		Inside diameter	1.500	
	By-pass	Number and type (molded, straight)	None	
		Inside diameter	None	
	Fan	Number of blades & Spacing		4 - 76° and 104°
		Diameter		17.125"
Ratio-fan to crankshaft rev.		.94:1		
Fan cutout type		None		
Bearing type		Double Row Ball		
*Drive belts (Indicate belt used by letter)	Fan		A	
	Generator		A	
	Water Pump		A	
	Power Steering		B	
	Air Conditioning		C	

* Drive Belt Dimensions	A	B	C
Angle of V	38°	38°	38°
Nominal length (SAE)	40"	54"	60"
Width	.380"	15/32"	.500"

MAKE OF CAR Studebaker MODEL YEAR 1963 DATE ISSUED 8-1962 REVISED ^(a)

6 Cyl. Lark

MODEL _____

ELECTRICAL—SUPPLY SYSTEM

Battery	Make and Model	Willard HO-11-50		
	Voltage Rtg. & Total Plates	12 Volts - 9 Plates Per Cell		
	SAE Designation & Amp Hr. Rtg	50 Amp. Hr.		
	Location	Under Hood - Left Fender		
	Terminal grounded	Negative		
Generator	Make	Electric Autolite - Prestolite		
	Model	AIK-5001		
	Type	Diode Rectification - Self Limiting		
	Ratio—Gen. to Cr/s rev.	2.3:1		
	Gen. cut-in (hot)—engine rpm	412		
Regulator	Make	Electric Autolite - Prestolite		
	Model	VBT-6201A		
	Type	Single Unit Vibrating		
	Cutout relay	Closing voltage @ generator rpm	None	
		Reverse current to open	-----	
	Regu-lated	Voltage	Vibrating	
		Current	None - Self Limiting	
	Voltage test con-ditions	Temperature	70° F.	
		Load	10 Amp.	
		Other	14.2 Volts	

ELECTRICAL—STARTING SYSTEM

Starting motor	Make	Autolite		
	Model	MDU-7005 W/Std. Trans. MDU-7026 W/Auto Trans.		
	Rotation (drive end view)	Clockwise		
	Engine cranking speed	170		
	Test conditions	Normal Engine Operating Temperature		
	Lock test	Amps	425	
		Volts	6.0	
		Torque (lb. ft.)	11	
	No load test	Amps	55	
		Volts	10	
RPM (min.)		5200		
Motor control	Switch (solenoid, manual)	Solenoid		
	Starting procedure	<ol style="list-style-type: none"> 1. Rotate Ignition Key Clockwise to Starting Position. 2. When Engine Starts, Permit Key To Return To Ignition "ON" Position. 		

(Continued)

MAKE OF CAR Studebaker **MODEL YEAR** 1963 **DATE ISSUED** 8-1962 **REVISED** (*)
MODEL 6 Cyl. Lark

ELECTRICAL—STARTING SYSTEM (cont.)

Motor Drive	Engagement type		Bendix Folo-Thru
	Pinion meshes (front, rear)		Front
	Number of teeth	Pinion	9
		Flywheel	151
Flywheel tooth face width		.375"	

ELECTRICAL—IGNITION SYSTEM

Coil	Make		Autolite
	Model		200567
	Amps	Engine stopped	N.A.
Engine idling		4	
Distributor	Make		Autolite
	Model		IAT-4403-B
	Cent'gal adv. in crankshaft degrees @ engine rpm (nominal)	Start (rpm)	600
		Intermediate points deg. @ rpm	14° @ 1300
		Max deg. @ rpm	26° @ 1800
	Vacuum adv. in crankshaft degrees @ in. Hg. (nominal)	Start (in Hg)	7
		Intermediate points, deg @ in Hg	8.5 @ 11"
		Max. deg. in. Hg.	16° @ 13"
	Breaker gap (in.)		.017" - .022"
	Cam angle (deg.)		37° - 41°
Breaker arm tension (oz.)		17 - 22	
Timing	Crankshaft deg. @ rpm.		2° BTDC @ 600
	Mark location		Vibration Damper
	Cylinder numbering system (see page 2)		1-2-3-4-5-6
	Firing order (see page 2)		1-5-3-6-2-4
Spark Plug	Make and model		Champion H-14Y
	Thread (mm)		14
	Tightening torque (lb. ft.)		25 - 30
	Gap		.033" - .038"
Cable	Conductor type		Copper or Steel High Tension Cable
	Insulation type		Neoprene
	Spark plug protector		Semi Skirt Integral With Cable

ELECTRICAL—SUPPRESSION

Locations & type	5 MFD Condensers at Ignition Coil, Alternator Armature and Voltage Regulator with Radio Only 10,000 OHM Integral with Distributor Cap
-----------------------------	--

AMA Specifications – Passenger Car

MAKE OF CAR Studebaker MODEL YEAR 1963 DATE ISSUED 8-1962 REVISED (•)

MODEL 6 Cyl. Lark

ELECTRICAL—INSTRUMENTS AND SWITCHES

Speed-ometer	Make	Stewart-Warner
	Trip odometer (yes, no)	No
Charge indicator—type		Direct-Reading
Temperature indicator—type		Electric Gage
Oil pressure indicator—type		Direct-Reading
Fuel indicator—type		Electric Gage
Other		None
Ignition switch	Identify positions in order and circuits controlled	Center - Off 1st Position Right - All Circuits "ON", Except Starter 2nd Position Right - All Circuits "OFF", Except Ignition & Starter 1st Position Left - Instruments and Accessories
	Provision for illumination	On Regal Models Only
	Location	Instrument Board Right of Steering Column
Main light-ing switch	Identify positions and lamps controlled	1st Position - OFF "Rockette Type Switch" 2nd Position - Parking, Tail and License Plate Lamps 3rd Position - Head, Tail and License Plate Lamps Instrument Lights Adjusted By Rheostat Rockette Switch "OFF" and "ON"
Other light switches	Locations and lamps controlled	Dome Lamp Controlled By Door Operated Switches, With Manual Switch in Lamp Body. Directional Signal Lights Controlled By Self-Cancelling Switch Under Steering Wheel.
	Locations and de-vices controlled	Windshield Wiper Switch, Rockette Type, Located On Instrument Board. Climatizer and Defroster Blower Motor Control Switch, Rockette Type, Located On Instrument Board. Station Wagon Tail-Gate Window Is Key Controlled.
Windshield wiper	Make	Autolite or Bosch
	Type	Two Speed - Electric
	Vacuum booster provision	None
	Washer provision	Yes
Horn	Type	Solenoid
	Number used	F4,Y4,P4, - 1 - Y6,J8,P8,L8 - 2
	Amp draw (each)	10 Amps. at 14 volts

AMA Specifications – Passenger Car

MAKE OF CAR Studebaker **MODEL YEAR** 1963 **DATE ISSUED** 8-1962 **REVISED** (*)
MODEL 6 Cyl. Lark

ELECTRICAL—LAMP BULBS

Give quantity used and trade number, e.g., Headlamp 2-5400 5, dual headlight 2-4001, 2-4002.
 Indicate accessories which are not standard equipment by an asterisk following the numbers.

Headlamps & arrangement		Dual - 2 Outer #4002 - 2 Inner #4001
Headlamp beam indicator		1-1445
Parking		2-1034 - (a)
Tail		2-1034 - (b)
Stop		Same as (b)
Direction signal	Front	Same as (a)
	Rear	Same as (b)
	Indicator	1-1816
License plate		1-67 L - 2-67
Instrument		4-57
Ignition lock		1-1445
Back up		2-1141
Dome		1-1004
Clock		2-57
Radio		1-1892
Glove compartment		1-57
Auto. Trans. Remote Control Indicator		1-1445
Trunk		1-67
Cigar Lighter		1-4445

AMA Specifications – Passenger Car

MAKE OF CAR Studebaker MODEL YEAR 1963 DATE ISSUED 8-1962 REVISED (•)

6 Cyl. Lark

MODEL _____

ELECTRICAL—FUSE & CIRCUIT BREAKER DATA

Use trade number of fuse, e.g., SFE-10. Indicate circuit breaker by ampere capacity suffixed by letters "C.B.", e.g., 30 C.B. Where fuse or circuit breaker protects multiple circuits indicate first use by a letter and repeat the same letter for all units protected by the same fuse or circuit breaker, e.g., Parking lamp SFE-10 (a), Direction indicator same as (a).

Headlamp	20CB - (a)
Headlamp beam indicator	Same as (a)
Parking lamp	Same as (a)
Tail lamp	Same as (a)
Stop lamp	AGC 15A Fuse (b)
Direction indicator	AGC 15A Fuse (c)
License plate lamp	Same as (a)
Instrument lamp	Same as (a)
Ignition lamp	Same as (a)
Back up lamp	Same as (c)
Dome lamp	Same as (b)
Clock	F, J, Y, P - 1-AG-2 L - 1-AG-3
Clock lamp	Same as (a)
Radio	AGW 2-1/2
Glove compartment lamp	Same as (b)
Climatizer	SFE 14
Windshield Wiper	5CB
Overdrive	SFE-14

ELECTRICAL—LOCATION OF OUTSIDE LAMPS

		Lowest	-----		
		Highest			
Height above ground to center of bulb	Tail		F, J, Y, L - 24-1/2	P-26-1/2	
	Stop		F, J, Y, L - 24-1/2	P-26-1/2	
	Backup		F, J, Y, L - 19	P-19-5/8	
	License, rear		13-1/4		
	Directional	Front		Duals - 22-3/4	
		Rear		24-1/2	
	Headlamp	Inside		Duals - 26-1/2	L - 26-1/8
		Outside*		-	
	Distance from C/L of car to center of bulb	Tail	Inside		
			Outside		28-1/4
Stop			28-1/4		
Backup			F, J, Y - 28-1/8	L - 28-1/4 P - 27-5/16"	
License, rear			Center of Bumper		
Directional		Front		Duals - 24	
		Rear		28 - 1/4	
Headlamp		Inside		22 - 15/16	
		Outside*		29	

* If single headlamps are used enter here.

MAKE OF CAR Studebaker MODEL YEAR 1963 DATE ISSUED 8-1962 REVISED (*)

6 Cyl. Lark

MODEL _____

DRIVE UNITS—CLUTCH (Manual Transmission)

Make & type	Borg and Beck Single Dry Disc	
Type pressure plate springs	Coil	
Effective plate pressure (lb.)	1024	
No. of clutch driven discs	One	
Clutch facing	Material	Molded Asbestos
	Outside & inside dia.	8.5" - 5.5"
	Total eff. area (sq.in.)	66
	Thickness	.125"
	Engagement cushioning method	Plate Cushion Springs
Release bearing	Type & method of lubrication	Single Row Ball - Pre-Lubricated
Torsional damping	Methods: springs, friction material	Coil Springs & Steel Washers

DRIVE UNITS—TRANSMISSIONS

Manual (std. or opt.)	Manual - 3-Speed
Manual with overdrive (std. or opt.)	Optional
Automatic (std. or opt.)	Optional

DRIVE UNITS—MANUAL TRANSMISSION

Number of forward speeds	Three		
Transmission ratios	In first	2.605:1	
	In second	1.63:1	
	In third	1.00:1	
	In fourth	None	
	In reverse	3.536:1	
Synchronous meshing, specify gears	Second & Third		
Shift lever location	Steering Column		
Lubricant	Capacity (pt.)	2.3	
	Type recommended	Mineral Oil Gear Lubricant	
	SAE viscosity number	Summer	SAE 80
		Winter	SAE 80
Extreme cold		SAE 80	

MAKE OF CAR Studebaker **MODEL YEAR** 1963 **DATE ISSUED** 8-1962 **REVISED** (*)
6 Cyl. Lark
MODEL _____

DRIVE UNITS—MANUAL TRANSMISSION WITH OVERDRIVE

For transmission data see manual transmission section

Overdrive	Type (planetary or other)		Planetary
	Manual lockout (yes, no)		Yes
	Downshift accelerator control (yes, no)		Yes
	Minimum cut-in speed		Approx. 28 Mph
	Gear ratio		.70:1
Lubricant	Capacity (pt.) (Overdrive only)		F, J, Y, P - 0.85 L - 0.26
	Separate filler (yes, no)		Yes
	Type recommended		Mineral Oil Gear Lubricant
	SAE viscosity number	Summer	SAE 80
		Winter	SAE 80
Ext. cold		SAE 80	

DRIVE UNITS—AUTOMATIC TRANSMISSION

Trade name		Flightomatic
Type describe		Torque Converter & Compound Planetary Gear Set
Method of Selection (Lever, Push Button or other)		Lever
Selector Pattern		P-N-D-L-R
List gear ratios Selector Pattern and indicate which are used in each selector position		Drive Range - * Low Range - Torque Converter X 2.40-1 Gear Ratio Reverse Range - Torque Converter X 2.00-1 Gear Ratio
Max. upshift speeds—drive range		1-2, 35-38 - 2-3, 59-64
Max. kickdown speeds—drive range		2-1, 10-14 - 3-2, 50-55
Torque convertor	Number of elements	Three
	Max. ratio at stall	2.15 @ 1500
	Type of cooling (air, water)	Forced Air
Lubricant	Capacity—refill (pt.)	18
	Type recommended	Type A - Suffix A - Automatic Transmission Fluid
Special transmission features		Transmission Can Be Placed in 2nd Gear, In The Low Range, Providing Car Speed Is Above Approximately 15-22 Mph and Transmission Has Up-Shifted To 2nd Or 3rd.

DRIVE UNITS—PROPELLER SHAFT

Number used		One
Type (exposed, torque tube)		Exposed Tubular
Outer diameter x length* x wall thickness	Manual transmission	F, J, L - 2" x 47-31/52" x .065" Y, P - 2-1/2" x 51" x .065"
	Overdrive transmission	Same as above
	Automatic transmission	F, J, L - 2-1/2 x 46-31/32 x .065 Y-P-2-1/2 x 5-1-3/32 x .065

*Center to center of universal joints, or to centerline of rear attachment.

(Continued)

* 1st Gear - Torq. Conv. x 2.40-1
 2nd Gear - Torq. Conv. x 1.47-1
 3rd Gear - Torq. Conv. x 1.00-1

AMA Specifications – Passenger Car

MAKE OF CAR Studebaker MODEL YEAR 1963 DATE ISSUED 8-1962 REVISED (*)

6 Cyl. Lark

MODEL _____

DRIVE UNITS—PROPELLER SHAFT (cont.)

Intermediate bearing	Type (plain, anti-friction)	None
	Lubrication (fitting, prepack)	None
Universal joints	Make	Spicer - or - Mechanics
	Number used	Two
	Type (ball and trunnion, cross, other)	Cross
	Bearing	Type (plain, anti-friction)
Lubric. (fitting, prepack)		Pre-Packed
Drive taken through (torque tube or arms, springs)		Rear Springs
Torque taken through (torque tube or arms, springs)		Rear Springs

DRIVE UNITS—REAR AXLE

Description (see instructions)	Carrier Type		
Limited Slip differential, type	Twin-Traction - Optional		
Drive Pinion Offset	9/16" on Model 27 - 1" on Model 44		
No. of differential pinions	2 on Model 27 4 on Model 44 & on Twin-Traction		
Gear ratios (Std. equip.)	Manual transmission	F,J,Y - 3.73 P,L - 4.1	
	Overdrive transmission	F,J,Y - 4.1 P,L - 4.56	
	Automatic transmission	3.73:1	
Ring gear O.D. (std. ratio)	Model 27 - P.D. 7.125, O.D. - 7.157 - Model 44-P.D. 8.50, O.D.-8.544		
Pinion adjustment (shim, other)	Shims		
Pinion bearing adj. (shim, other)	Shims		
Wheel bearing type	Tapered Roller		
Lubricant	Capacity (pt.)	Model 27 - 2-1/2 Pints Model 44 - 3 Pints	
	Type recommended	Hypoid)	
	SAE viscosity number	Summer	SAE 90) For Twin-Traction
		Winter	SAE 90) Special Studebaker Lubricant
	Extreme cold	SAE 80)	

REAR AXLE RATIO TOOTH COMBINATIONS

(See page 3 for axle ratio usage)

Axle ratio		N.A.
No. of teeth	Pinion	N.A.
	Ring gear	N.A.

AMA Specifications – Passenger Car

MAKE OF CAR Studebaker **MODEL YEAR** 1962 **DATE ISSUED** 8-1962 **REVISED** (*)
MODEL 6 Cyl. Lark

DRIVE UNITS—WHEELS

Type & material		Disc H. R. Steel	
Rim (size and flange type)	Std.	15x4.5K - Drop Center - Safety Rim	
	Opt.	None	
Attachment	Type (bolt or stud)	Stud	
	Circle diameter	4.5"	
	Number and size	5 - 1/2"	

DRIVE UNITS—TIRES

Standard (List option below)	Size & ply	F, J, Y, P - 6.00x15 - 2 ply L-6.50x15 - 2 ply	
	Type - Nylon, etc.	Rayon	
Rev./mile at 50 mph.		795	
Inflation press. (cold)	Front	F, J, Y, L - 24 P - 26	
	Rear	F, J, Y, L - 20 P - 26	
Optional tires - size and ply		F, J, Y, P - 6.00x15 - 4 or 6 ply F, J, Y, P - 6.50x15 - 2, 4, or 6 ply L - 6.70x15 - 2, 4, or 6 ply	

BRAKES—SERVICE

Type (duo-servo, disc, balanced, etc.)		Hydraulic - Self Centering - Self Energizing	
Self adjusting (std., opt., N.A.)		Standard	
Hydraulic system type (single, dual, etc.)		Dual	Single on Opt. Disc Type
Power brake make & type (remote, integral, etc.)		Hydraulic - Opt.	Standard W/Disc Type
Effective area (sq. in.)*		146.4	105
Gross lining area (sq. in.)**		146.2	105
Swept drum area (sq. in.)***		239.2	377
Percent brake effectiveness—front		62	62
Drum	Diameter	Front 10	11-1/2" O.D. Disc
		Rear 9	11 x 12
Type and material		Budd - Composite	Frt. Grey Iron Disc *
Wheel cylinder bore	Front	1.000"	2 - 1/8"
	Rear	.812"	3/4"
Master cylinder bore		1.000	1 - 1/8"
Available pedal travel		6	6 - 3/8"
Line pressure at 100 lb. pedal load		.890 P.S.I.	1300
Shoe clearance adjustment		.006" - .008"	Frt. D.N.A. - RR .006" - .008"

* Excludes rivet holes, grooves, chamfers, etc.

** Includes rivet holes, grooves, chamfers, etc.

*** Total swept areas for four brakes:

Widest lining contact width for each brake x its drum circumference.

(Continued)

* Rear - Composite-Finned

AMA Specifications—Passenger Car

MAKE OF CAR Studebaker MODEL YEAR 1963 DATE ISSUED 8-1962 REVISED (•)

6 Cyl. Lark

MODEL _____

BRAKES—SERVICE (cont.)

		Bonded or riveted		Bonded	
* Brake lining	Front Shoe	Material		Marshall - Eclipse	
		Size (length x width x thickness)	Front wheel	8-15/32" x 2" x 3/16"	
			Rear wheel	7-9/16" x 2" x 3/16"	
		Segments per shoe		One	
	Rear Shoe	Material		Marshall - Eclipse	
		Size (length x width x thickness)	Front wheel	10-53/64" x 2" x 1/4"	
			Rear wheel	9-3/4" x 2" x 3/16"	
		Segments per shoe		One	

BRAKES—PARKING

Type of control		T-Handle - Pull Type
Location of control		Right of Steering Column
Operates on		Rear Wheel Balance
If separate from service brakes	Type (internal or external)	No
	Drum diameter	No
	Lining size (length x width x thickness)	No

FRAME or UNITIZED CONSTRUCTION

Type and description

Box Section, Double Drop, Ladder Type with X-Member

SUSPENSION—GENERAL (See Supplemental page 19 for details on Air Suspension)*

Provision for car leveling		-----
Provision for brake dip control		Yes - Asymmetric Rear Springs
Provision for acc. squat control		Yes - Asymmetric Rear Springs
Special provisions for car jacking		No
Shock absorber front & rear	Type	Direct Reading Hydraulic
	Make	Gabriel
	Piston dia.	1"
Other special features		None

SUSPENSION—FRONT

Type and description

Independent Coil Springs

* Air Suspension: Normal operating pressures (Continued)

*On Disc Type—Material—Front—Mintex 33M
 Rear—Eclipse M2112C
 —Size—Front - 2 x 2 x .416 usable (inner and outer) Form Rev. 3-62
 Rear - Front Shoe-12.2 x 2 x .180
 Rear Shoe 10 x 2 x .180

Air spring type
Compressor data
type
make
drive ratio

spring rates
leveling data

AMA Specifications – Passenger Cars

MAKE OF CAR Studebaker MODEL YEAR 1963 DATE ISSUED 8-1962 REVISED(*)

MODEL 6 Cyl. Lark

SUSPENSION FRONT (cont.)

Spring	Type	Independent Coil Springs		
	Material	SAE 9260 or 5160 Steel		
	Size (coil design height & I.D.) bar length x dia.	10.00" x 4.187"		
	Spring rate (lb. per in.)	F, J, Y, P - 150	L - 180	375
	Rate at wheel (lb. per in.)	F, J, Y, P - 66.7	L - 78	
Design load (lb. @ design height)	F - 1125 @ 10.00" J, Y - 1215 @ 10.00" P - 1161 @ 10.00" L - 1290 @ 10.00"			
Stabilizer	Type (link, linkless, frameless)	Front Only - Linkless		
	Material & bar diameter	SAE 1065 - .750"		

STEERING

Mechanical (std., opt., NA)		Standard			
Power (std., opt., NA)		F, J, Y, P - Optional - L - N.A.			
Wheel diameter		17			
Turning diameter	Outside front	Wall to wall (l. & r.)	F, J, L - 40'-0"	Y-P - 41'-6"	
		Curb to curb (l. & r.)	F, J, L - 37'-6"	Y-P - 39'-0"	
	Inside rear	Wall to wall (l. & r.)	NA		
		Curb to curb (l. & r.)	NA		
Outside wheel angle with inside wheel at 20°		17° to 18°			
Mechanical	Gear	Type	Recirculating Ball		
		Make	Saginaw		
		Ratios	Gear 20:1	Overall 28-24-28	
	No. wheel turns		4.7		
Power	Type (coaxial, linkage, etc.)		Hydraulic Linkage		
	Make		Bendix Eaton		
	Trade name		-----		
	Gear	Type	Recirculating		
		Ratios	Gear 20:1	Overall 26.5 - 22.5 - 26.5	
		Pump driven by		V-Belt	
	Number wheel turns		4.4		
Linkage	Type		Center point steering with equal point tie-rods		
	Location (front or rear of wheels, other)		Rear		
	Drag link (trans. or longit.)		Longitudinal		
	Tie rods (one or two)		Two		

(Continued)

AMA Specifications – Passenger Car

MAKE OF CAR Studebaker MODEL YEAR 1963 DATE ISSUED 8-1962 REVISED (*)

MODEL 6 Cyl. Lark

STEERING (cont)

Steering Axis	Inclination at camber (deg.)		6°@ 0° Camber
	Bearings (type)	Upper	Bushing
		Lower	Needle
		Thrust	Ball
Wheel alignment (range and preferred)	Caster (deg.) Top of Frame *		+3/4° to -3/4° (0° Preferred)
	Camber (deg.)		0° to +1° (1/2° Greater Camber Favored on Drivers Side)
	Toe-in (outside tread-inches) **		3/16 to 1/4 Without Power Steering 1/16 to 1/8 With Power Steering
Steering spindle & joint type			Reverse Elliott
Wheel spindle	Diameter	Inner bearing	1.250"
		Outer bearing	.750"
	Thread size		3/4 - 16
	Bearing type		Tapered Roller

SUSPENSION—REAR

Type and description			Semi-Elliptic Leaf - Asymmetric	
Drive and torq. taken through (see page 17)			Rear Springs	
Spring	Type		Semi-Elliptic	
	Material		SAE 5160-or-9260	
	Size (length x width, coil design height and I.D.; bar length & dia.)		51" x 2-1/2"	
	Spring rate (lb. per in.)		F, J, Y, L - 85 P - 105	
	Rate at wheel (lb. per in.)		F, J, Y, L - 108 P - 136	
	Design load (lb. at design height)		700	
	Mounting insulation type		Rubber Bushings	
	If leaf	No. of leaves		F, J, Y, L - 4 P - 5
		Inserts	Type and size	Button Type
			Material	Polyethylene With Graphite
Shackle (comp. or tens.)		Compression		
Stabilizer	Type (link, linkless, frameless)		None	
	Material		None	
Track bar type			None	

* Service Specifications - +1/4 to -1-1/4 (with 1/2° Preferred), Maximum Variation Between Wheels Should Not Exceed 1/2° At Normal Curb Load

** For Service - If Normal Load is 5-6 Passengers, Then 5/16" Toe-In is Permissible.

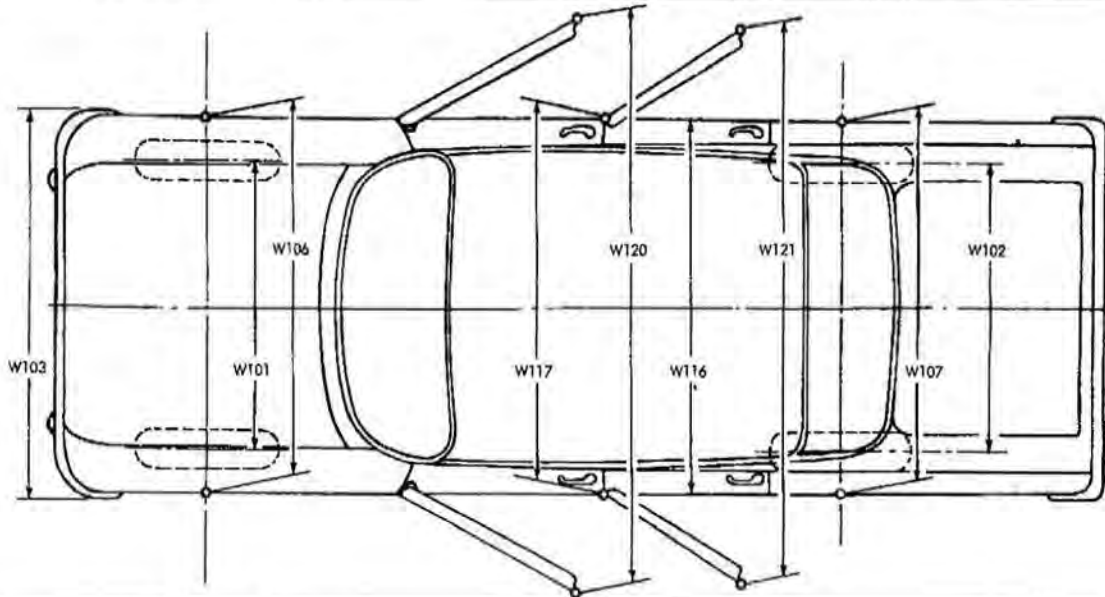
MAKE OF CAR Studebaker **MODEL YEAR** 1963 **DATE ISSUED** 9-1962 **REVISED** (*)

CAR AND BODY DIMENSIONS—GENERAL

NOTE: Included in the dimension definitions listed on pages 34-36 are those which have been adopted by SAE. These are indicated by a number following the type of dimension, e.g., L3. Additional dimensions have been added by the AMA Specifications Review Committee. These are shown by an additional letter, e.g., H67a. The symbol "a" has been added as a suffix to denote a dimension adopted by the AMA and submitted to the SAE for approval. The dimensions are developed from the following basic points:

1. Body dimensions are for all body styles.
2. All interior dimensions are taken with manikin 15.0 inches outboard of car centerline unless otherwise stated.
3. All interior dimensions are measured with the front seat in the lowest and rearmost position.
4. Unless otherwise specified, all exterior height dimensions are taken with a full design load which consists of 5 passengers, 300 lbs. front, 450 lbs. rear; includes spare wheel, tire and tools, and full complement of gas, oil, water and tires to recommended pressure, etc.
5. The SAE manikin with 90th percentile leg length will be used for recording purposes.
6. The H Point is the pivot center of the manikin's torso and thigh.
7. The Torso Line is a line parallel to the small of manikin's back and extending through the H Point.

EXTERIOR WIDTH DIMENSIONS

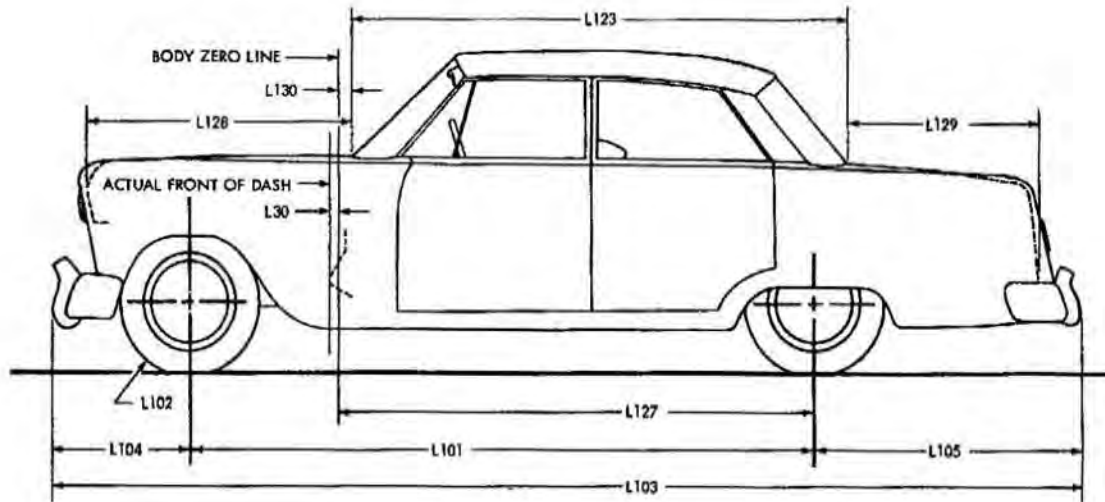


MODEL	Ref. No.	Y	F, J & L	P
Tread - front	W101		57.375"	
Tread - rear	W102		56.5625"	
Maximum overall car width	W103	71.25 @ Front Door Handles		
Maximum overall body width	W116	70.5 @ Front Wheel Opening		
Maximum body width at #2 pillar	W117	69.25	68.375	69.25
Front fender overall width	W106		70.5	
Rear fender overall width	W107		69.32	
Maximum overall car width - front doors open	W120a	140	145	140
Maximum overall car width - rear doors open	W121a	126.8	None	126.8

AMA Specifications – Passenger Car

MAKE OF CAR Studebaker MODEL YEAR 1963 DATE ISSUED 9-1962 REVISED(•)

EXTERIOR LENGTH DIMENSIONS

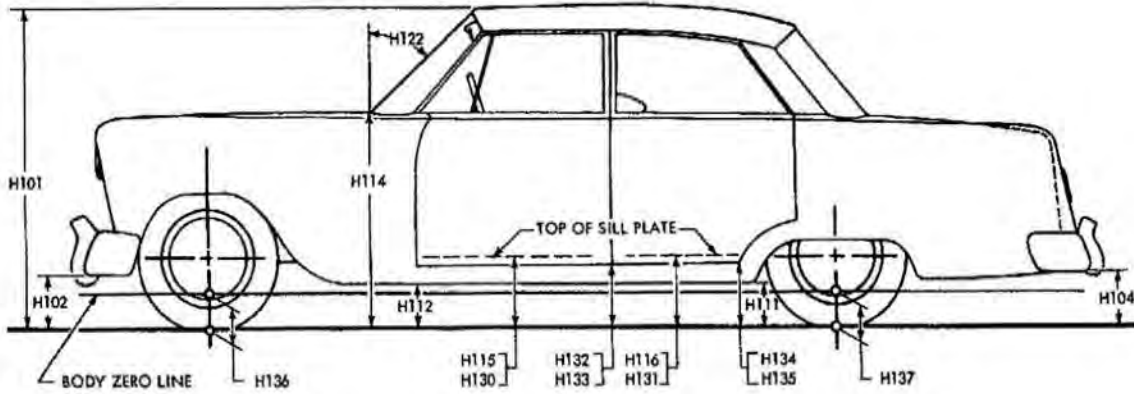


MODEL	Ref. No.	Y	F & J	L	P
Body zero line to actual front of dash	L30		0		
Wheelbase	L101	113	109		113
Overhang - front	L104		28.94		
Overhang - rear	L105	46	46		48.56
Overall length	L103	188	184		190 3/16
Hood length at car centerline	L128a		48.5		
Body upper structure length at car centerline	L123	97.38	93.38	94.0	131.87
Deck length at car centerline	L129a	38.23	38.23	37.61	None
Body zero line to centerline of rear wheels	L127		99.5	95.5	99.5
Body zero line to windshield cowl point	L130a		9.60		
Tire size	L102	6.70x15	6.50x15	6.70x15	6.50x15

AMA Specifications— Passenger Car

MAKE OF CAR Studebaker MODEL YEAR 1963 DATE ISSUED 9-1962 REVISED (*)

EXTERIOR HEIGHT DIMENSIONS

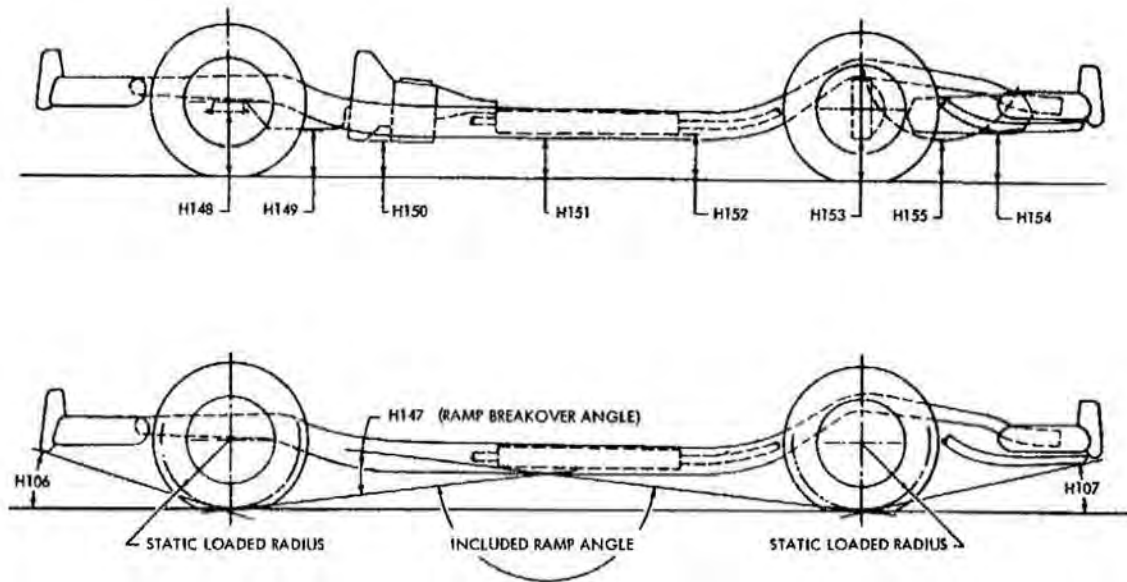


MODEL	Ref. No.				
		Y	F & J	L	P
Overall height	H101	55.75	55.75	58.0	57.51
Hood at rear to ground	H114	27.875			
Rocker panel to ground - front	H112a	7.625			
Rocker panel to ground - rear	H111	7.94	7.815		7.94
Step height - front (design load)	H115	10.25			
Step height - rear (design load)	H116	10.25			
Step height - front (curb load)	H130	NA			
Step height - rear (curb load)	H131	NA			
Bottom of door to ground, open - front	H132		11.75	10.69	11.75
Bottom of door to ground, closed - front	H133		10.75	9.69	10.75
Bottom of door to ground, open - rear	H134	11.75	None		11.00
Bottom of door to ground, closed - rear	H135	10.50	None		10.50
Front bumper to ground	H102	13.813			
Rear bumper to ground	H104	12.375	12.375		13.690
Windshield slope angle	H122	45°			
Body zero to ground - front	H136a	9.75			
Body zero to ground - rear	H137a	9.75			

AMA Specifications—Passenger Car

MAKE OF CAR Studebaker MODEL YEAR 1963 DATE ISSUED 9-1962 REVISED (e)

GROUND CLEARANCE DIMENSIONS

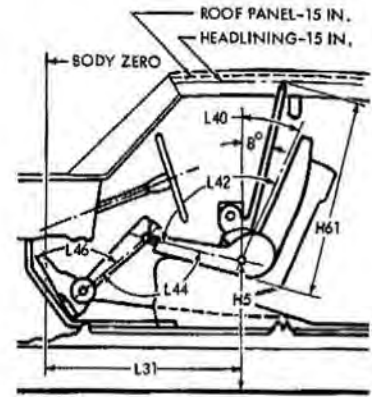
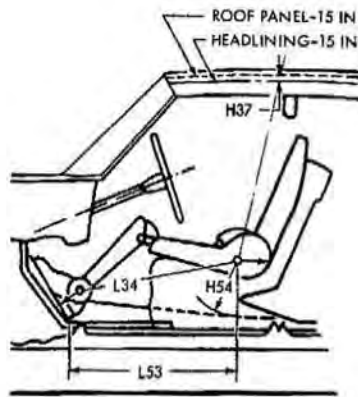
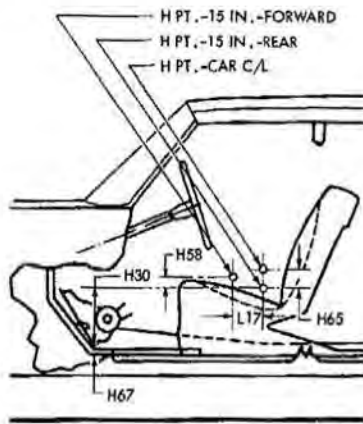


MODEL	Ref. No.	Y	F & J	L	P
Angle of approach	H106	28			
Angle of departure	H107	$14^{\circ} - 30'$	$14^{\circ} - 45'$		15°
Ramp breakover angle	H147	14°	$14^{\circ} - 30'$		14°
Front suspension to ground	H148	$7-13/16$		$8-1/8$	$7-13/16$
Oil pan to ground	H149	$7-1/16$		$7-3/8$	$7-1/16$
Flywheel housing to ground	H150	$7-7/8$		$8-3/16$	$7-7/8$
Frame structure to ground	H151	$7-5/16$		$7-5/8$	$7-5/16$
Exhaust system to ground	H152	$6-3/16$		$6-1/2$	$6-3/16$
Rear axle differential to ground	H153	8		$8-5/16$	8
Fuel tank to ground	H154	$8-13/16$		9	$8-13/16$
Spare tire well to ground	H155	None			
Minimum running ground clearance	H156	$6-3/16$		$6-1/2$	$6-3/16$

AMA Specifications—Passenger Car

MAKE OF CAR Studebaker MODEL YEAR 1963 DATE ISSUED 9-1962 REVISED (*)

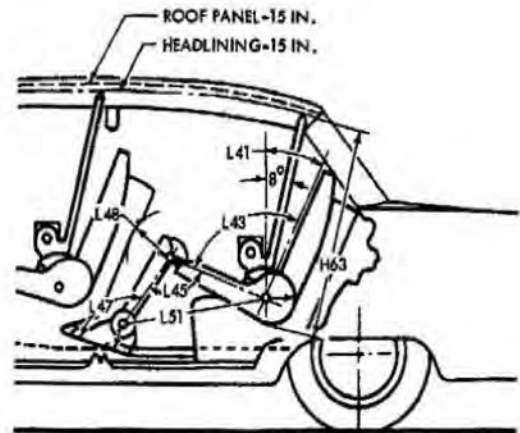
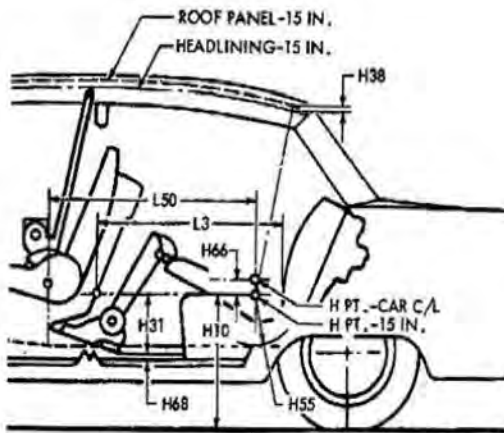
FRONT COMPARTMENT DIMENSIONS



MODEL	Ref. No.	Y-F-J-P-L
H Point to body zero line	L31a	42.56
H Point to ground	H5a	21.43
Effective head room	H61a	43.7
Headlining to roof height	H37	.25
Maximum effective leg room - accelerator	L34a	39.25
H Point to heel point	H30a	8.12
Depressed floor covering thickness	H67a	.18
Back angle	L40a	26°
Hip angle	L42a	90°
Knee angle	L44a	112°
Foot angle	L46a	88°
H Point differential, side to center	H65a	NA
H Point to tunnel	H54a	7.12
H Point to accelerator floor point	L53a	32.56
H Point travel	L17a	5.88
H Point rise	H58a	1.31

MAKE OF CAR Studebaker MODEL YEAR 1963 DATE ISSUED 9-1962 REVISED (a)

REAR COMPARTMENT DIMENSIONS

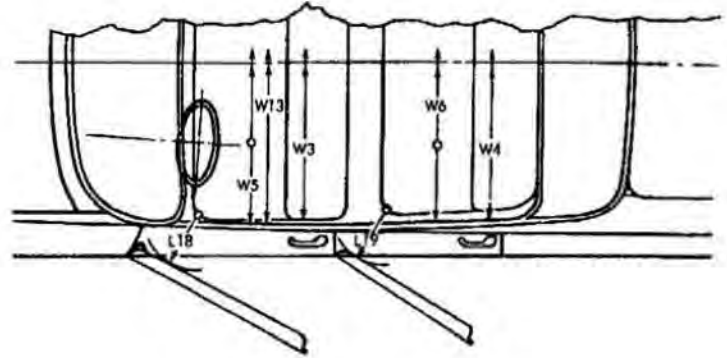
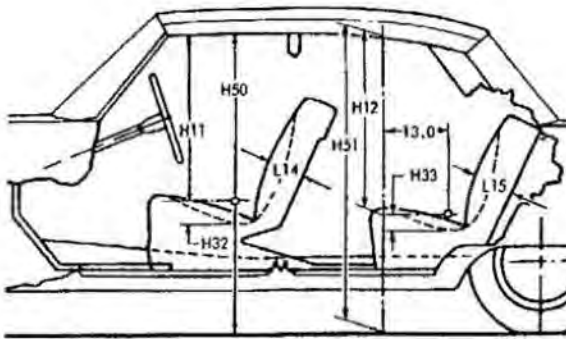


MODEL	Ref. No.	Y-F-J-L		P
H Point couple distance	L50a	36.12		33.84
H Point to ground	H10a	20.75		24.43
Effective head room	H63a	41.9		39.8
Headlining to roof height	H38	.25		.25
Minimum effective leg room	L51a	Y 27.5	F, J & L 23.5	26.12
H Point to heel point	H31a	25.38	21.38	24.93
Depressed floor covering thickness	H68a	.18		.18
Minimum knee room	L48a	Y 8.75	F, J & L 4.75	5.18
Rear compartment room	L3	Y 33.0	F, J & L 29.0	30.38
Back angle	L41a	28°-30°		26°
Hip angle	L43a	90°		93°
Knee angle	L45a	102°		96°
Foot angle	L47a	137°		125°
H Point differential, side to center	H66a	NA		NA
H Point to tunnel	H55a	5.62		9.12

AMA Specifications – Passenger Car

MAKE OF CAR Studebaker MODEL YEAR 1963 DATE ISSUED 9-1962 REVISED(•) _____

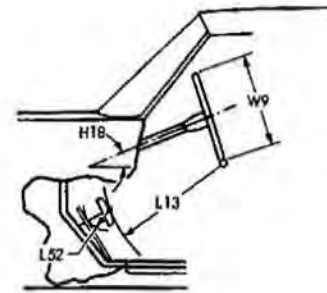
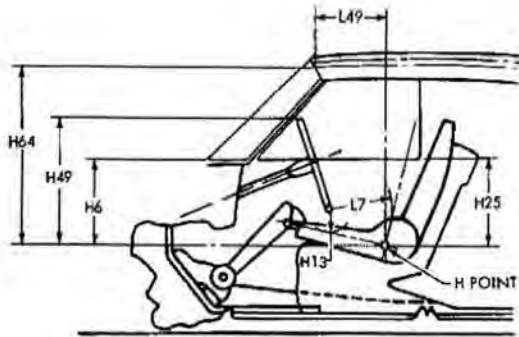
SEAT AND ENTRANCE DIMENSIONS



MODEL	Ref. No.	Y	F & J	L	P
Shoulder room - front	W3a	54.875			
Hip room - front	W5a	60.2			
Seat width - front	W16a	56		51.75	56
Upper body opening to ground - front	H50a	52.95		54.5	52.95
Entrance height - front	H11a	32			
Entrance foot clearance - front	L18	15.5		17	15.5
Seat cushion deflection - front	H32a	2.88			
Seat back thickness - front	L14	4.6			
Shoulder room - rear	W4a	55		44.0	55
Hip room - rear	W6a	60		44.0	60
Upper body opening to ground - rear	H51a	51.98		None	53.125
Entrance height - rear	H12a	31.5		None	32.0
Entrance foot clearance - rear	L19	13.5		None	12
Seat cushion deflection - rear	H33a		2.38		1.81
Seat back thickness - rear	L15		5.12		4.38

MAKE OF CAR Studebaker MODEL YEAR 1963 DATE ISSUED 9-1962 REVISED(•)

VISION AND CONTROL DIMENSIONS



MODEL	Ref. No.	Y-F-J-P-L	
H Point to windshield bottom DLO	H6a		18.88
H Point to windshield upper DLO	H64a		31.75
H Point to windshield upper DLO	L49a		18.88
Belt height - front	H25a		16.0
Steering wheel center to centerline of car	W7		14.0
Steering wheel maximum outside diameter	W9		17.0
Steering column angle - horizontal	H18		24°-30'
H Point to top of steering wheel	H49a	Y,F,J,P - 22.38	L - 22.88
Steering wheel torso clearance	L7a		12.18
Steering wheel thigh clearance	H13a		7.68
Brake pedal knee clearance	L13		24.18
Brake pedal to accelerator	L52a		2.43
Tumble-home	W122a		12°

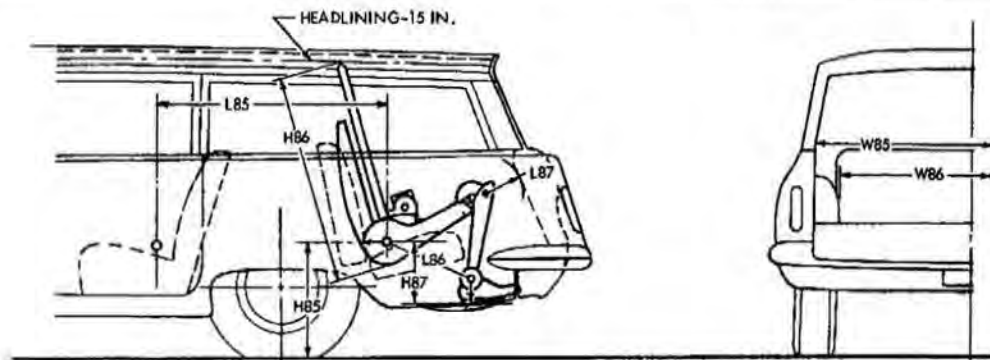
AMA Specifications – Passenger Car

MAKE OF CAR Studebaker MODEL YEAR 1963 DATE ISSUED 9-1962 REVISED(•) _____

LUGGAGE COMPARTMENT

MODEL	Ref. No.	Y, F, J	L
Usable luggage capacity (See instructions)		13.57	11.57
Liftover height*	H301a	22.5	
Position of spare tire storage		Horizontal on Floor	
Method of holding lid open		Torsion Spring	

THIRD SEAT DIMENSIONS

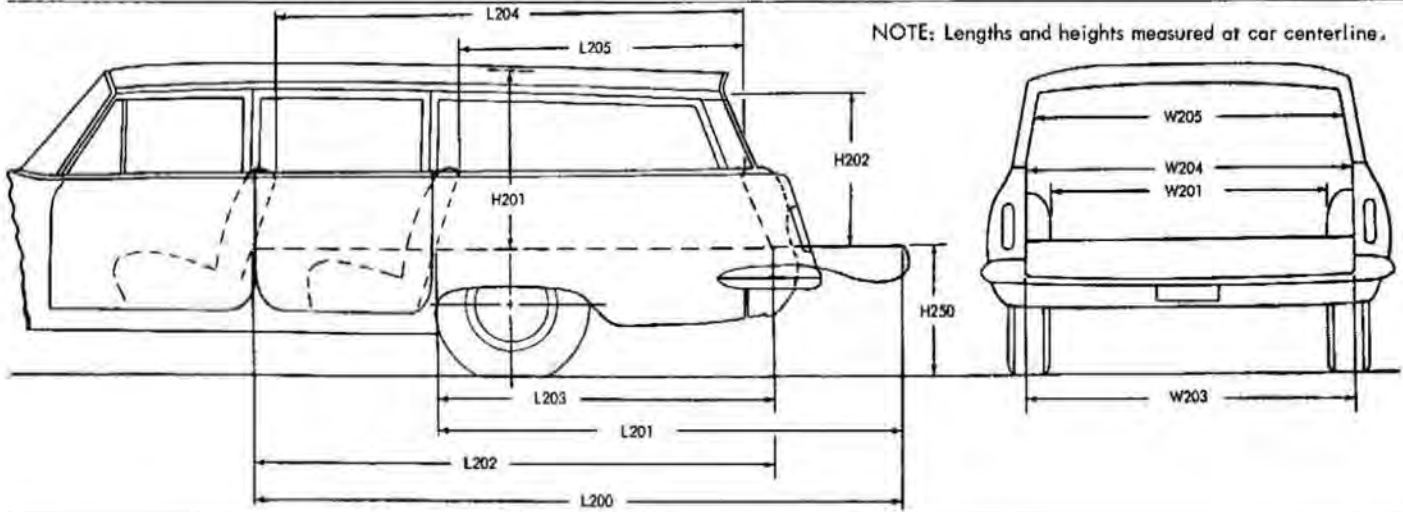


MODEL	Ref. No.	P - Only
Seat facing direction		Rear
Shoulder room	W85a	54.0
Hip room	W86a	42.0
H Point couple distance	L85a	31.06
H Point to ground	H85a	29.18
Effective head room	H86a	35.5
Effective leg room	L86a	31.38
H Point to heel point	H87a	13.75
Knee room	L87a	5.93
Back angle	L88a	24°
Hip angle	L89a	88°
Knee angle	L90a	74°
Foot angle	L91a	107°

* Vertical dimension from luggage compartment lower opening to ground.

MAKE OF CAR Studebaker MODEL YEAR 1963 DATE ISSUED 9-1962 REVISED (*)

STATION WAGON—CARGO SPACE DIMENSIONS



MODEL	Ref. No.	P - Only
Floor length from back of front seat at floor level to end of lowered tail gate or floor	L200	95.562
Floor length from back of second seat at floor level to end of lowered tail gate or floor	L201	74.2
Floor length from back of front seat at floor level to inside of closed tail gate	L202	69.375
Floor length from back of second seat at floor level to inside of closed tail gate	L203	48
Minimum horizontal distance from top rear of front seat back to inside of tail gate at belt	L204	73.35
Minimum horizontal distance from top rear of second seat back to inside of tail gate at belt	L205	37
Maximum width of cargo space at floor - specify location	W200a	85.575
Minimum distance between wheel houses at floor level	W201	42
Rear end opening width at floor	W203	51
Rear end opening width at belt	W204	46.375
Maximum width of rear opening above belt	W205	43.625
Maximum height - floor covering to headlining at centerline of rear axle	H201	32.125
Maximum height of rear opening - tail and lift gates open	H202	30.25
Platform height from ground to top of tail gate floor covering at rear most edge of tail gate - curb weight	H250	23.37
Rear end closure (e.g., one piece door, hinged left - sliding glass, drop tail gate)		Sliding Glass & Drop Tail Gate
Cargo volume index (cu. ft.) W4 x L204 x H201 1728		75 Cu. Ft.

AMA Specifications – Passenger Car

MAKE OF CAR Studebaker MODEL YEAR 1963 DATE ISSUED 8-1962 REVISED (6)

MODEL 63S - Lark

BODY—MISCELLANEOUS INFORMATION

Drs. hinged (front, rear)	Front doors		Front
	Rear doors		Front
Type of finish (lacquer, enamel, other)			Enamel
Hood hinge location (front, rear)			Rear
Hood counterbalanced (yes, no)			No
Hood release control (internal, external)			Internal
Vehicle (Serial) No. Location			Left Front Pillar Post
Engine No. Location			Left Front Side Of Block
Theft protection - type			Lock & Key At Front Door, Ignition & Trunk
Vent window control method (crank, friction pivot)	Front		Friction Pivot
	Rear		----
Seat cushion type	Front		Cone - Coil
	Rear		Cone - Coil
Seat back type	Front		Cone - Coil
	Rear		Cone - Coil
Windshield type (single curved, compound curved, other)			One Piece - Curved
Rear window type (flat, curved, one piece, three piece)			Y, F & J - Curved, One Piece; PL - Flat, One Piece
Side glass type (curved, flat)			Flat
Side glass exposed surface area			Y - 1623.95; F - 1428.32; JL - 1314.77; P - 2958
Windshield glass exposed surface area			994.37
Backlight glass exposed surface area			L - 862.44; Y, F & J - 990; P - 728
Total glass exposed surface area			L-3171.58; Y - 3608.32; F - 3412.69; J - 3299.14; P - 4608.37

AMA Specifications - Passenger Car

MAKE OF CAR Studebaker **MODEL YEAR** 1963 **DATE ISSUED** 9-1962 **REVISED** (*)

MAJOR OPTIONAL ITEMS - WEIGHTS

6-Cylinder Lark Model	CURB WEIGHT - POUNDS			% PASS. WEIGHT DISTRIBUTION				SHIPPING * WEIGHT
	Front	Rear	Total	Pass. In Front		Pass. In Rear		
				Front	Rear	Front	Rear	
63S-F4	1495	1310	2805					2665
63S-F6	1505	1315	2820					2680
63S-Y4	1600	1330	2930					2790
63S-Y6	1605	1335	2940					2800
63S-J8	1575	1360	2935					2795
63S-P4	1730	1610	3340					3200
63S-P8	1755	1630	3385					3245
63S-L8	1780	1405	3185					3045
Accessories & Equipment Differential Weights								
Overdrive Transmission								36
Automatic Transmission								
Climatizer								19
Radio With Antenna								10
Power Brakes								9
Air Conditioning								82
Imitation Leather								11
H.D. Front Springs								2
H.D. Rear Springs-F,J,Y,L								9
H.D. Rear Springs-P								14
H.D. Shock Absorbers								5
Oil Filter								4
Twin-Traction Diff.								5
Hideaway Seat-P								-14
Dual Exhaust								N.A.
4 Barrel Carburetor								N.A.
Power Steering								43
4-Speed Transmission								N.A.
(Net - Add To Curb Weight)								

* These are weights that are reported to states for licensing purposes.

DIMENSION DEFINITIONS

- W3a SHOULDER ROOM - FRONT. The minimum lateral dimension between the door garnish moldings or nearest interference. Measured at H Point station.
- W4a SHOULDER ROOM - REAR. Measured in the same manner as W3a.
- W5a HIP ROOM - FRONT. The lateral dimension through H Point to trimmed surfaces.
- W6a HIP ROOM - REAR. Measured in the same manner as W5a.
- W7 STEERING WHEEL CENTER TO CENTERLINE OF CAR. Measured horizontally from steering wheel center to centerline of car. The point at steering wheel center is located in the surface plane of wheel.
- W9 STEERING WHEEL MAXIMUM OUTSIDE DIAMETER. Define if other than round.
- W16a SEAT WIDTH - FRONT. The maximum trimmed width of front seat cushion.
- W85a SHOULDER ROOM - THIRD SEAT. Measured in the same manner as W3a.
- W86a HIP ROOM - THIRD SEAT. Measured in the same manner as W5a.
- W101 TREAD - FRONT. Measured at centerline of tires, with nominal camber, at ground.
- W102 TREAD - REAR. Measured at centerline of tires at ground.
- W103 MAXIMUM OVERALL CAR WIDTH. Include bumpers, moldings, or sheet metal protrusions.
- W106 FRONT FENDER OVERALL WIDTH. Measured at centerline of front wheels, excluding moldings.
- W107 REAR FENDER OVERALL WIDTH. Measured at centerline of rear wheels, excluding moldings.
- W116 MAXIMUM OVERALL BODY WIDTH. Measured across body, excluding hardware and applied moldings, but including fenders when integral with body.
- W117 MAXIMUM BODY WIDTH AT #2 PILLAR. Measured across body at #2 pillar, excluding hardware and applied moldings.
- W120a MAXIMUM OVERALL CAR WIDTH, FRONT DOORS OPEN. Measured with front doors in maximum hold-open position.
- W121a MAXIMUM OVERALL CAR WIDTH, REAR DOORS OPEN. Measured in same manner as W120a.
- W122a TUMBLE-HOME. The angle from vertical to the front door glass outer surface or the chord of a curved door glass, measured at the front H Point station.
- L3 REAR COMPARTMENT ROOM. The horizontal dimension from the back of front seat to front of rear seat back at a height tangent to the top of rear seat cushion.
- L7a STEERING WHEEL TORSO CLEARANCE. The minimum distance from the back edge of steering wheel, in straight-ahead position, to the Torso Line.
- L13 BRAKE PEDAL KNEE CLEARANCE. The minimum dimension from the lower edge of the steering wheel to the brake pedal face centerline.
- L14 SEAT BACK THICKNESS - FRONT. The maximum thickness of the seat back, excluding bolsters.
- L15 SEAT BACK THICKNESS - REAR. Measured in the same manner as L14.
- L17a H POINT TRAVEL. The horizontal dimension between the H Point in the most forward and rearward seat positions.
- L18 ENTRANCE FOOT CLEARANCE - FRONT. The minimum horizontal dimension between seat and normal line of door or pillar at a height between the sill plate bead and 4.0 inches above the bead. Door should be in the maximum hold-open position.
- L19 ENTRANCE FOOT CLEARANCE - REAR. Measured in the same manner as L18 on four-door models. On two-door styles, the minimum dimension between rear corner of front seat, with front seat back tilted forward, and trimmed lock pillar, built-in quarter armrest panel, or rear seat cushion at a height between the sill plate bead and 4.0 inches above the bead.
- L30 BODY ZERO LINE TO ACTUAL FRONT OF DASH. If actual Front of Dash is to the rear of Body Zero Line, it is identified by a minus (-) sign.
- L31a H POINT TO BODY ZERO LINE - FRONT. Horizontal dimension.
- L34a MAXIMUM EFFECTIVE LEG ROOM - ACCELERATOR. Measured along a diagonal line from ankle pivot center to H Point plus a constant of 10.0 inches. Measured with the right foot on accelerator pedal.
- L40a BACK ANGLE - FRONT. The angle between a vertical line through the H Point and the Torso Line.
- L41a BACK ANGLE - REAR. Measured in the same manner as L40a.
- L42a HIP ANGLE - FRONT. The angle between Torso Line and a line extending from knee pivot center to H Point.
- L43a HIP ANGLE - REAR. Measured in the same manner as L42a.
- L44a KNEE ANGLE - FRONT. The angle between a line from H Point to knee pivot center and a line from the knee pivot center to the ankle pivot center.
- L45a KNEE ANGLE - REAR. Measured in the same manner as L44a.
- L46a FOOT ANGLE - FRONT. The angle between a line extended from the knee pivot center through the ankle pivot center and a line tangent to the sole and heel of manikin bare foot.
- L47a FOOT ANGLE - REAR. Measured in the same manner as L46a.
- L48a MINIMUM KNEE ROOM - REAR. The minimum dimension from the knee pivot center to the back of front seat back.
- L49a H POINT TO WINDSHIELD UPPER DLO. The horizontal dimension from H Point to the point of tangency of horizontal line of vision (described in dimension M64a) with body upper structure.

DIMENSION DEFINITIONS (cont.)

- L50a H POINT COUPLE DISTANCE.** The horizontal dimension from the front seat H Point to the rear seat H Point.
- L51a MINIMUM EFFECTIVE LEG ROOM – REAR.** Measured along a diagonal line from ankle pivot center to H Point plus a constant of 10.0 inches. Measured with the foot positioned to nearest interference between seat structure and toe, instep or lower leg.
- L52a BRAKE PEDAL TO ACCELERATOR.** The minimum dimension from center of brake pedal face to accelerator. Measured in the side view.
- L53a H POINT TO ACCELERATOR FLOOR POINT.** The horizontal dimension from intersection of accelerator and depressed floor covering to the H Point.
- L85a H POINT COUPLE DISTANCE – THIRD SEAT.** The horizontal dimension from the second seat H Point to the third seat H Point.
- L86a EFFECTIVE LEG ROOM – THIRD SEAT.** Measured in the same manner as L51a. With rear-facing third seat, foot is positioned in foot well or to nearest interference with rear end or rear closure.
- L87a KNEE ROOM – THIRD SEAT.** Measured in the same manner as L48a. With rear-facing third seat, dimension is measured to rear closure.
- L88a BACK ANGLE – THIRD SEAT.** Measured in the same manner as L40a.
- L89a HIP ANGLE – THIRD SEAT.** Measured in the same manner as L42a.
- L90a KNEE ANGLE – THIRD SEAT.** Measured in the same manner as L44a.
- L91a FOOT ANGLE – THIRD SEAT.** Measured in the same manner as L46a.
- L101 WHEELBASE.**
- L102 TIRE SIZE.**
- L103 OVERALL LENGTH.** Include bumper guards if standard equipment.
- L104 OVERHANG – FRONT.** Measured from C/L of front wheels to front of car, including bumper guards if standard equipment.
- L105 OVERHANG – REAR.** Measured from C/L of rear wheels to rear of car, including bumper guards if standard equipment.
- L123 BODY UPPER STRUCTURE LENGTH AT CAR CENTERLINE.** The horizontal dimension from the theoretical intersection of extended windshield glass plane and normal cowl surface to the theoretical intersection of extended back window glass plane and normal deck surface; or in the case of a Fastback roof or Station Wagon, to back glass lower reveal molding, or rubber when molding is not used.
- L127 BODY ZERO LINE TO CENTERLINE OF REAR WHEELS.** A horizontal dimension.
- L128a HOOD LENGTH AT CAR CENTERLINE.** The horizontal dimension from the foremost point on sheet metal hood surface, excluding series identification or ornamentation, to the theoretical intersection of extended windshield glass plane and normal cowl surface.
- L129a DECK LENGTH AT CAR CENTERLINE.** The horizontal dimension from the rearmost point of the body sheet metal (visible above bumper), excluding series identification or ornamentation, to the theoretical intersection of extended back window glass plane and normal deck surface.
- L130a BODY ZERO LINE TO WINDSHIELD COWL POINT.** The horizontal dimension from body zero line to the theoretical intersection of extended windshield glass plane and normal cowl surface.
- H5a H POINT TO GROUND – FRONT.** Vertical dimension.
- H6a H POINT TO WINDSHIELD BOTTOM DLO.** Vertical dimension.
- H10a H POINT TO GROUND – REAR.** Vertical dimension.
- H11a ENTRANCE HEIGHT – FRONT.** The vertical dimension from H Point to upper trimmed body opening.
- H12a ENTRANCE HEIGHT – REAR.** The vertical dimension from H Point to the upper trimmed body opening at a section 13.0 inches forward of the H Point.
- H13a STEERING WHEEL THIGH CLEARANCE.** The minimum dimension from the bottom of steering wheel, in straight-ahead position, to centerline of thigh.
- H18 STEERING COLUMN ANGLE – HORIZONTAL.** The angle the centerline of steering column makes with the horizontal.
- H25a BELT HEIGHT – FRONT.** The vertical dimension from H Point to bottom of side window DLO.
- H30a H POINT TO HEEL POINT – FRONT.** The vertical dimension from the H Point to the manikin accelerator heel point on the depressed floor covering.
- H31a H POINT TO HEEL POINT – REAR.** The vertical dimension from the H Point to the manikin heel point on the depressed floor covering.
- H32a SEAT CUSHION DEFLECTION – FRONT.** The vertical dimension from a point on the undepressed seat cushion to the depressed seat cushion. Measured at the H Point station.
- H33a SEAT CUSHION DEFLECTION – REAR.** Measured in the same manner as H32a.
- H37 HEADLINING TO ROOF HEIGHT – FRONT.** The dimension from the intersection of the headlining and the extended effective head room line to the roof panel. Measured perpendicularly to the roof panel.
- H38 HEADLINING TO ROOF HEIGHT – REAR.** Measured in the same manner as H37.
- H49a H POINT TO TOP OF STEERING WHEEL.** The vertical dimension from the H Point to top of steering wheel, in straight-ahead position.
- H50a UPPER BODY OPENING TO GROUND – FRONT.** The vertical dimension from a point on the trimmed body opening to the ground. Measured at the H Point station.

DIMENSION DEFINITIONS (cont.)

- H51a UPPER BODY OPENING TO GROUND - REAR. The vertical dimension from a point on the trimmed body opening to the ground. Measured 13.0 inches forward of the H Point.
- H54a H POINT TO TUNNEL - FRONT. The minimum dimension from the H Point, at car centerline, to top of tunnel.
- H55a H POINT TO TUNNEL - REAR. Measured in the same manner as H54a.
- H58a H POINT RISE. The vertical dimension between the H Point in the most forward and rearward seat positions.
- H61a EFFECTIVE HEAD ROOM - FRONT. The dimension from H Point to the headlining, plus a constant of 4.0 inches. Measured along a line 8" to rear of vertical.
- H63a EFFECTIVE HEAD ROOM - REAR. Measured in the same manner as H61a.
- H64a H POINT TO WINDSHIELD UPPER DLO. Vertical dimension from H Point to highest horizontal line of vision through windshield at 15 inch section.
- H65a H POINT DIFFERENTIAL, SIDE TO CENTER - FRONT. The vertical dimension from side occupant H Point to center occupant H Point.
- H66a H POINT DIFFERENTIAL, SIDE TO CENTER - REAR. Measured in the same manner as H65a.
- H67a DEPRESSED FLOOR COVERING THICKNESS - FRONT. The vertical dimension from manikin accelerator heel point normally to underbody sheet metal immediately below heel point.
- H68a DEPRESSED FLOOR COVERING THICKNESS - REAR. Measured same as H67a.
- H85a H POINT TO GROUND - THIRD SEAT. Vertical dimension.
- H86a EFFECTIVE HEAD ROOM - THIRD SEAT. Measured in the same manner as H61a.
- H87a H POINT TO HEEL POINT - THIRD SEAT. Measured in the same manner as H31a.
- H101 OVERALL HEIGHT. Measured with full design load.
- H102 FRONT BUMPER TO GROUND. Minimum dimension.
- H104 REAR BUMPER TO GROUND. Minimum dimension.
- H106 ANGLE OF APPROACH. Minimum angle between ground and a line tangent to arc of front tire static loaded radius and touching the limiting point of interference on front bumper, bumper guard, or gravel deflector.
- H107 ANGLE OF DEPARTURE. Minimum angle between ground and a line tangent to arc of rear tire static loaded radius and touching the limiting point of interference on rear bumper, bumper guard, gravel deflector, tail pipe, fender or other interfering structure.
- H111 ROCKER PANEL TO GROUND - REAR. The vertical dimension from ground to bottom of rocker panel, excluding flanges. Measured at front of rear wheel opening.
- H112a ROCKER PANEL TO GROUND - FRONT. The vertical dimension from ground to bottom of rocker panel, excluding flanges. Measured at foremost point of rocker panel.
- H114 HOOD AT REAR TO GROUND. Measured from hood opening line on shroud, exclusive of moldings.
- H115 STEP HEIGHT - FRONT (DESIGN LOAD). The vertical dimension from top of sill plate bead, at C/L of front door sill plate, to ground.
- H116 STEP HEIGHT - REAR (DESIGN LOAD). Measured in same manner as dimension H115.
- H122 WINDSHIELD SLOPE ANGLE. The angle between a vertical line and the windshield surface at car centerline. On compound-curved windshields the chord of the arc is used and limited to that section of the windshield comprehended by an 18-inch chord.
- H130 STEP HEIGHT - FRONT (CURB LOAD). The vertical dimension from top of sill plate, at C/L of front door sill plate, to ground.
- H131 STEP HEIGHT - REAR (CURB LOAD). Measured in same manner as H130.
- H132 BOTTOM OF DOOR TO GROUND, OPEN - FRONT. Measured from bottom outside corner of door with door in maximum hold-open position.
- H133 BOTTOM OF DOOR TO GROUND, CLOSED - FRONT. Same point on door as H132 dimension, with door closed.
- H134 BOTTOM OF DOOR TO GROUND, OPEN - REAR. Measured in same manner as H132.
- H135 BOTTOM OF DOOR TO GROUND, CLOSED - REAR. Measured in same manner as H133.
- H136a BODY ZERO TO GROUND - FRONT. A vertical dimension measured at front wheel centerline.
- H137a BODY ZERO TO GROUND - REAR. A vertical dimension measured at rear wheel centerline.
- H147 RAMP BREAKOVER ANGLE. Supplement of included ramp angle (180° minus included ramp angle) over which car can pass without interference; measured with car sitting on a level surface, using lines tangent to arcs of front and rear static loaded radii and intersecting at point on underside of car which defines the smallest angle.
- H148 FRONT SUSPENSION TO GROUND. Minimum clearance measured from lower control arm inner shaft or lowest point on the car centerline.
- H149 OIL PAN TO GROUND. Minimum clearance measured from sheet metal or drain plug.
- H150 FLYWHEEL/CONVERTER HOUSING AND TRANSMISSION ASSEMBLY TO GROUND. Minimum clearance.
- H151 FRAME STRUCTURE TO GROUND. Minimum clearance measured approximately midway between front and rear axles. In this measurement, cross bars and X-members shall be considered part of frame.
- H152 EXHAUST SYSTEM TO GROUND. Minimum clearance. Specify location.
- H153 REAR AXLE DIFFERENTIAL SYSTEM TO GROUND. Minimum clearance.
- H154 FUEL TANK TO GROUND. Minimum clearance measured from sheet metal or drain plug, but excluding supports or straps.
- H155 SPARE TIRE WELL TO GROUND. Minimum clearance.
- H156 MINIMUM RUNNING GROUND CLEARANCE. Location of measurement on the car is to be clearly recorded.

INDEX

SUBJECT	PAGE NO.	SUBJECT	PAGE NO.
Angles of Approach, Departure	25	Lamp Bulbs	13
Automatic Transmission	1, 16	Lamp Height & Spacing	14
Axis, Steering	21	Legroom	26, 27, 30
Axle, Rear	1, 17	Lengths - Overall	1, 23
Battery	10	Lifters, Valve	5
Bearings, Engine	4, 5, 6	Linings - Clutch, Brake	15, 19
Belts - Fan, Generator, Water Pump	9	Lubrication	6, 7, 15, 16, 17
Body - General Information, types	Title, 1, 22, 32	Motor, Starting	10
Exterior Dimensions	1, 22, 23, 24	Muffler	7
Interior Dimensions	26, 27, 28, 29, 30	Overdrive	16
Clearance Dimensions	25	Piston Pins & Rings	2, 4
Brakes - Parking, Service, Power	18, 19	Pistons	2
Camber	21	Power Brakes	18
Camshaft	5	Power Steering	20
Capacities		Power Teams	3
Cooling System	9	Propeller Shaft, Universal Joints	16, 17
Fuel Tank	8	Pumps - Oil, Fuel	7, 8
Lubricants		Water	9
Engine Crankcase	7	Radiator, Hoses	9
Transmission and Overdrive	15, 16	Ramp Break-over Angle	25
Rear Axle	17	Ratios - Axle	1, 3, 17
Carburetor	3, 8	Compression	1, 2, 3
Caster	21	Steering	20
Choke, Automatic	8	Transmission	15, 16
Circuit Breakers, Fuses	14	Rear Axle	1, 3, 17
Clearance, Ground	25	Regulator - Generator	10
Clutch - Pedal Operated	15	Rims	18
Coil, Ignition	11	Rings, Piston	4
Connecting Rods	4	Rods - Connecting	4
Cooling System	9	Shock Absorbers, Front & Rear	19
Crankcase Ventilation	7	Spark Plugs	11
Crankshaft	5	Speedometer	12
Cylinders and Cylinder Head	2	Springs - Front & Rear Suspension	20, 21
Dimension Definitions	34, 35, 36	Valve, Engine	6
Distributor - Ignition	11	Stabilizer (Sway Bar) - Front & Rear	20, 21
Electrical System	10, 11, 12, 13, 14	Starting Motor	10
Engine		Steering	20, 21
Bore, Stroke, Displacement, Type	1, 2	Suppression - Ignition, Radio	11
Compression Ratio	1, 2	Suspension - Front & Rear	19, 20, 21
Firing Order, Cylinder Numbering	2, 11	Switches	12
General Information, H.P. & Torque	1, 2	Tailpipe	7
Lubrication	6, 7	Thermostat, Cooling	9
Power Teams	3	Timing, Engine & Valve	5, 6, 11
Exhaust System	7	Tires	1, 18
Fan, Cooling	9	Toe In	21
Filters - Engine Oil, Fuel System	7, 8	Torque Converter	16
Frame	19	Torque - Engine, Rated	1, 2, 3
Front Suspension	19, 20	Transmission - Types	1, 3, 8, 15, 16
Fuel, Fuel Pump, Fuel System	1, 2, 8	Automatic	1, 3, 8, 15, 16
Fuel Injection	1, 8	Manual & Overdrive	1, 3, 8, 15, 16
Fuses, Circuit Breakers	14	Ratios	15, 16
Generator and Regulator	10	Tread	1, 22
Gloss	24, 32	Turning Diameter	20
Height (Lamps)	14	Unitized Construction	19
Headroom - Body	26, 27, 30	Universal Joints, Propeller Shaft	16, 17
Heights - Overall	1, 24	Valves - Intake & Exhaust	5, 6
Hood	23	Vibration Damper	5
Horns	12	Voltage Regulator	10
Horsepower - Brake, Taxable	1, 2, 3	Water Pump	9
Ignition System	11	Weights - Shipping, Curb	33
Inflation - Tires	18	Wheel Alignment	21
Instruments	7, 12	Wheelbase	1, 23
Kingpin (Steering Axis)	21	Wheels & Tires	18
		Wheel Spindle	21
		Widths - Car & Body	1, 22
		Windshield	24, 32
		Windshield Wiper	12