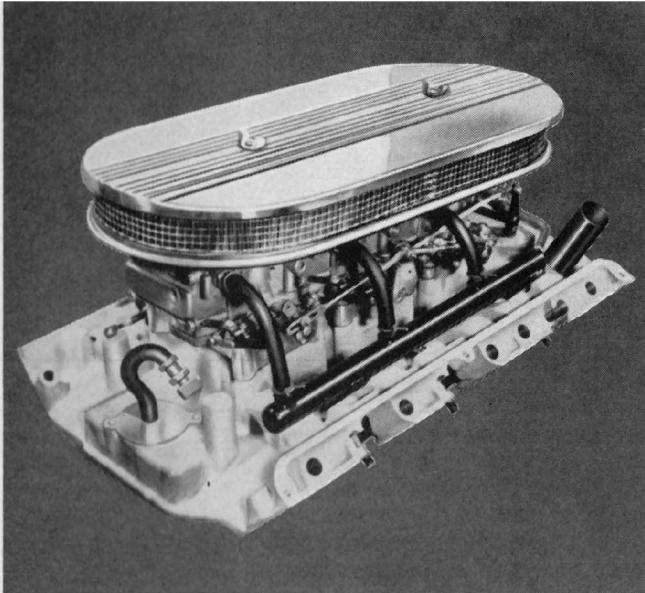


Here's new "Go" and "Show" in High Performance and Dress-up Kits

...for Ford 352, 390, 406 and 427 Blocks

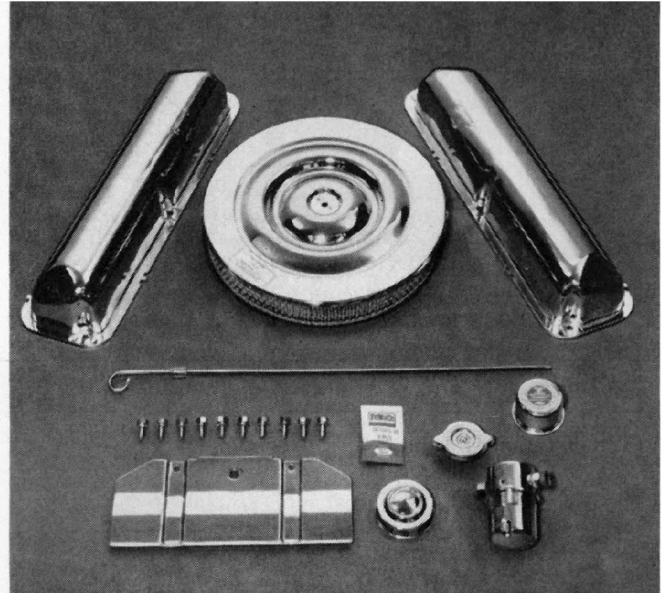
Whether you're interested in putting more power or more beauty under your hood, your Ford Dealer is the man to see. The two kits here are just an example of what he has waiting for you...from heavy-duty shocks, to rear-end packages, to lightweight body components.



High Performance Kit

Specially designed to give 390, 406 and 427 C.I.D. Ford blocks more power and performance, this kit features three 2-venturi carburetors on a precision-cast aluminum intake manifold—plus special air cleaner. Mechanically operated linkage lets you "run on one" for economy, cut in the other two for maximum "go."

#C4AZ-6B068-A . . . \$206.66*



Engine Dress-up Kit

You can give your 352, 390 or 427 engine compartment a sparkling "show" appearance with this kit. The kit includes gleaming valve covers, air cleaner cover and oil breather cap, brake master cylinder cover, dip stick, radiator cap, fuel filter and fan guard shroud. All of the components are in stylish satin-chrome finish.

#C4AZ-6980-A . . . \$48.20*

Extra! LAKE PIPES FOR MORE HORSEPOWER

Use these Lake pipes to cut back-pressure and get more power. Can be installed on 6- and 8-cylinder models at various points in the exhaust system for the performance and styling you like. Fit 1 3/4" or 2" diameter systems. Chromed pipe ends have removable flip covers for a rich, deep-throated roar. In sets of two.

#C4AZ-5C246-A . . . \$57.00*

HIGH PERFORMANCE



AT YOUR FORD DEALER

PRODUCTS OF  MOTOR COMPANY

*Manufacturer's suggested retail price. Installation charges and state or local taxes, if any, are extra.