

1969
OLDSMOBILE



Delta
Ninety Eight

ASSEMBLY MANUAL

U.P.C. SECTION O
GENERAL

	P. I. M.	
	SEC.	PAGE
AUTOMATIC TRANS. VEHICLE CHECK	0	150
BREAK-IN & OPERATION BOOKLET	0	121
CORROSION PROTECTION CHART	0	135
CHASSIS ASSEMBLY PAINT CHART	0	195
DEFROSTER FUNCTION CHECK	0	111
DRILLING LAYOUT -		
DASH	0	140, 141
MISCELLANEOUS	0	142 - 144
GENERAL REFERENCES	0	100
GENERAL WRENCH TORQUE SPEC.	0	101
LOOSE PARTS STOWAGE	0	120
PAINT AND TRIM SPECIFICATIONS	0	180 - 187
PAINT STRIPE CHART	0	109
ROCKER PANEL SLOPE SPECIFICATIONS	0	109
PROTECTIVE NUMBER STAMPING	0	170
TEMPLATE CHART	0	128
TORQUE CHART - CHASSIS	0	102 - 105
VEHICLE IDENTIFICATION	0	117
WALLET ASSEMBLY	0	120

U.P.C. SECTION 1A1
FISHER FURNISH; OLDS INSTALL

	P. I. M.	
	SEC.	PAGE
CARPET	1-1	114
CYLINDER ASM - GLOVE BOX DOOR LOCK	1-3	122
CYLINDER ASSEMBLY - IGNITION LOCK	9	119
KEY - IGNITION AND DOOR	0	120
KEY - GLOVE BOX, TRUNK AND CONSOLE	0	120
SUN SHADE	1-4	116
TRIM ASM - SPARE WHEEL COVER (8600)	10	116

U.P.C. SECTION 1A2B
INSTRUMENT PANEL

APPLIQUES	1-3	110, 116
CONTROL PANEL TRIM PLATES	1-3	113
CONTROL PANEL TO PAD ASSEMBLY	1-3	111
GLOVE BOX AND DOOR	1-3	122
INSTRUMENT PANEL TO BODY	1-3	119
PAD ASSEMBLY	1-3	111
PAD AND BEZEL ASSEMBLY	1-3	121
PANEL ASSEMBLY - INSTRUMENT CONTROL	1-3	110
R. H. MOULDING	1-3	116
STEERING COLUMN CAP	9	112

U.P.C. SECTION 1A2C
VENTILATION & HEATING

ADAPTER - END OUTLET	1-3	117
BLOWER ASSEMBLY	1-1	122
BLOWER FEED WIRE	12	117

	P. I. M.	
	SEC.	PAGE
CABLE ASM - DEFROSTER TEMP. CONTROL VALVE	1-3	115
CABLE AND HOSE DIAGRAM	1-5	115
CONTROL ASSEMBLY - HEATER	1-3	114
CONTROL WIRING	12	116
CONTROL WIRING DIAGRAM	12	115
COVER - CENTER	1-3	118
DEFLECTOR - OUTLET	1-3	117, 118
DEFROSTER HOSES	1-1	123, 124
DEFROSTER OUTLETS	1-1	110, 120, 121
DUCT - UPPER VENTILATION	1-1	117
GROMMET (HEATER VACUUM HOSE)	1-2	110
HARNESS ASSEMBLY	12	116
HEATER ASSEMBLY	1-1	120, 121
HEATER HOSE CONN. CHART	1-5	105
HOUSING - END AIR DEFLECTOR	1-3	117, 118
INSULATOR - DASH	1-1	112
OUTLET ASSEMBLY - AIR	1-1	120, 121
RESISTOR ASSEMBLY	1-1	120, 121
SCREEN - UPPER SHROUD VENT.	1-2	116
SEAL - HOOD LEDGE	1-2	116
WATER HOSES	1-5	117
VACUUM -		
CHECK VALVE	1-5	117
HOSE DIAGRAM	1-5	115
HOSE ROUTING	1-5	116, 117

DATE	SYM	REVISION	DR.	CK.	DATE	SYM	REVISION	DR.	CK.	DATE	SYM	REVISION	DR.	CK.	TITLE	PRODUCT INFORMATION MANUAL INDEX
															DATE <i>AUGUST 26, 1968</i>	FIRST USED
															DR. BY <i>W.E. MASON</i>	1969
															CHECKED <i>J.M. Barnhart</i>	OLDSMOBILE PRODUCT INFORMATION MANUAL
															APPR.	MANUAL SEC. PAGE
															APPR.	INDEX 2
															REF. 0 THRU 1A2C	SERIES B-C
															PART NO. 401901	

**U.P.C. SECTION 1A2D
WINDSHIELD WIPER & WASHER**

	P. I. M. SEC.	PAGE
ARM ASSEMBLY	1-2	116
BLADE ASSEMBLY	1-2	116
JAR - WINDSHIELD WASHER	11	125
MOTOR ASSEMBLY	1-2	115
NOZZLE ASSEMBLY	11	182
PLUG - WIPER LINK ACCESS	1-2	115
SOLVENT	0	130
TRANSMISSION ASSEMBLY	1-2	115
WASHER HOSE ROUTING - ENGINE HOOD	1-5 11	120 182
WIPER BLADE PATTERN	1-2	100
WIPER SWITCH ASSEMBLY	1-3	114

**U.P.C. SECTION 1A2E
MISCELLANEOUS BODY PARTS**

	P. I. M. SEC.	PAGE
ASH TRAY - DOOR RECEIVER ASSEMBLY	1-3 1-3	110 114
COVER - REAR LAMP STUD	12	160
ENVELOPE - KEY	0	120
FILLER - FRONT SEAT BACK (8600)	0	120
INSULATOR - TOE PAN AND FRONT FLOOR	1-1	112
MIRROR - INSIDE REAR VIEW OUTSIDE REAR VIEW	1-4 1-4	115 120
PLUG - SHROUD PANEL HOLE	1-2	110

**U.P.C. SECTION 1A2F
EXTERIOR BODY ORNAMENTATION**

	P. I. M. SEC.	PAGE
MOULDING - ROCKER PANEL WHEEL OPENING	11 11	157 155
PANEL ASSEMBLY - WHEEL OPENING	11	160, 161

**U.P.C. SECTION 1B
BODY MOUNTING**

	P. I. M. SEC.	PAGE
BODY MOUNTING	2	110

**U.P.C. SECTION 2B
FRAME**

	P. I. M. SEC.	PAGE
FRAME USAGE CHART	2	110
TRANSMISSION SUPPORT	6-1	140

**U.P.C. SECTION 3
FRONT SUSPENSION**

	P. I. M. SEC.	PAGE
FRONT SUSPENSION	3	111, 112
KNUCKLE SHOP ASSEMBLY CHART	3	105
SHOCK ABSORBER USAGE CHART	0	160
SPRING USAGE CHART	3	100
WHEEL ALIGNMENT LAYOUT	3	103

**U.P.C. SECTION 4
REAR SUSPENSION**

	P. I. M. SEC.	PAGE
AXLE USAGE CHART	4	105, 106
LUBRICANT - DIFFERENTIAL FILL	4	111
PROPELLER SHAFT	4	110
REAR SUSPENSION	4	111
SHOCK ABSORBER USAGE CHART	0	160
WHEEL ALIGNMENT LAYOUT	3	103

**U.P.C. SECTION 5
BRAKES**

	P. I. M. SEC.	PAGE
BRAKE FLUID	5	111
DISTRIBUTOR AND SWITCH ASSEMBLY	5	111
MASTER CYLINDER	5	110
PARKING BRAKE CABLE	5	117, 118
PARKING BRAKE LEVER ASSEMBLY	5	118
PEDAL	5	112
PEDAL BRACKET	5	110
PIPES	5	111, 114
PIPING AND HOSES - KNUCKLE SHOP ASM	5	113
POWER CYLINDER ASSEMBLY	5	110
REINFORCEMENT TO DASH	5	110
VACUUM - HOSE ROUTING PIPE	5 6-1	111 129

TITLE												PRODUCT INFORMATION MANUAL INDEX								
DATE <i>AUGUST 26, 1968</i>												FIRST USED		1969		MANUAL SEC.		PAGE		
DR. BY <i>W.E. MASON</i>												INDEX		3						
CHECKED <i>MBarnhart</i>												SERIES		B-C		PART NO.		401901		
APPR.												REF.		IA2D THRU 5						
DATE	SYM	REVISION	DR.	CK.	DATE	SYM	REVISION	DR.	CK.	DATE	SYM	REVISION	DR.	CK.	DATE	SYM	REVISION	DR.	CK.	APPR.

**U.P.C. SECTION 12
ELECTRICAL**

	P. I. M.	
	SEC.	PAGE
ASH TRAY LAMP HOUSING ASSEMBLY	1-3	113
BATTERY ASSEMBLY	12	134
BATTERY SUPPORT	11	138
CABLE ASSEMBLY -		
CLOCK LAMP	12	110
BATTERY	12	134, 135
JUNC. BLOCK TO CIRC. BREAKER	12	132
MAP LAMP GROUND	12	110
SHIFT INDICATOR LAMP	12	110
SPEEDOMETER	1-5	119
STARTER	6-1	127
CIGAR LIGHTER ASSEMBLY	1-3	113
CLOCK ASSEMBLY	1-3	120
COURTESY LAMP - HOUSING ASSEMBLY	1-3	111
SOCKET & WIRE ASM	12	110
COVER -		
CLOCK HOLE	1-3	120
RADIO HOLE	1-3	110
SPEAKER HOLE	1-1	111
DASH PANEL GROMMETS	1-2	110
FLASHER - FLARESTAT	12	100
TURN SIGNAL	1-3	120
FUSE PANEL CHART	12	100
HARNESS ASSEMBLY -		
CHART - ENGINE	6-1	127
CLUTCH SWITCH START	12	112
ENGINE	6-1	127

	P. I. M.	
	SEC.	PAGE
HARNESS ASM (CONTINUED)		
GENERATOR & FORWARD LAMP	12	130-132
INSTRUMENT PANEL	12	110
POWER TOP	12	111
HAZARD WARNING KNOB ASM	9	110
HEADLAMP AIM SPECIFICATION	12	105
HEADLAMP DOOR	11	113
HORN ASM	11	111
HORN CAP	9	115
HORN CONTACT PLATE	9	116
INSTRUMENT CLUSTER ASM	1-3	120
JUMPER - IDLE CUT OFF	12	140
JUNCTION BLOCK, RELAY & BUZZER ASM	11	125
LAMP ASM -		
BACK-UP	14	118
FRONT SIDE MARKER	11	135
GLOVE BOX	1-3	122
HEAD	11	113
LICENSE	14	118
MAP	1-3	110
PARK & TURN	14	118
STARTER CABLE TUBE	6-1	132
SWITCH ASM -		
BACK-UP LAMP	9	111
DOOR JAMB	12	111
GLOVE BOX LAMP	1-3	122
HEADLAMP DIMMER	1-1	111

	P. I. M.	
	SEC.	PAGE
SWITCH ASSEMBLY (CONTINUED)		
LIGHT	1-3	114
OPERATION CHART	12	95 - 99
PARKING BRAKE INDICATOR	5	118
POWER TOP	1-3	113
STOP LIGHT	5	113
WATER TEMPERATURE	6-1	128
TURN SIGNAL - LEVER ASSEMBLY	9	110
WIRE ASSEMBLY - GLOVE BOX GROUND	12	110
WIRING - (ALSO SEE HARNESS ASSEMBLY)		
CLOCK	12	110
BACK-UP LAMP	12	160
BACK-UP LAMP SWITCH	12	112
BRAKE WARNING LIGHT SWITCH	12	136
COURTESY LAMP	12	110
DIMMER SWITCH	12	111
FUEL TANK GAGE	12	161
HORN SWITCH	9	115, 116
LICENSE LAMP	12	160
MAP LAMP	12	110
NEUTRAL START & BACK-UP SWITCH	12	111
PARKING BRAKE INDICATOR	12	111
STOP LIGHT SWITCH	12	111
TURN SIGNAL SWITCH	12	111

												TITLE				PRODUCT INFORMATION MANUAL INDEX							
												DATE <i>AUGUST 26, 1968</i>				FIRST USED		OLDSMOBILE PRODUCT		MANUAL SEC.		PAGE	
												DR. BY <i>W.E. MASON</i>				1969		INFORMATION MANUAL		INDEX		6	
												CHECKED <i>W.B. ...</i>				REF.		SERIES		PART NO.			
												APPR.				12		B-C		401901			
DATE	SYM	REVISION	DR.	CK.	DATE	SYM	REVISION	DR.	CK.	DATE	SYM	REVISION	DR.	CK.	DATE	SYM	REVISION	DR.	CK.	APPR.			

**U.P.C. SECTION 13
RADIATOR & GRILLE**

	P. I. M. SEC.	PAGE
FAN SHROUD	11	118
LABEL - RADIATOR CAP ALIGNMENT	0	124
RADIATOR -		
ASSEMBLY	11	117
BAFFLE ASSEMBLY - UPPER	11	118
DRESS	11	116
GRILLE ASSEMBLY	11	112
LOWER AIR DEFLECTOR	11	111
SEAL	11	117
USAGE CHART	11	108

**U.P.C. SECTION 14
BUMPERS & MISC. FINAL ASM. ITEMS**

	P. I. M. SEC.	PAGE
BUMPER -		
FRONT	14	110
REAR - EXC. 84 - 8600	14	115
84 - 8600	14	116
GASOLINE FILL	8	111
JACK ASM & STOWAGE - CONVERTIBLE	10	117
EXC. CONVERTIBLE	10	115
LABEL - JACK INSTRUCTION & STOWAGE	0	122
RETAIL PRICE	0	123

	P. I. M. SEC.	PAGE
LICENSE PLATE - FRONT SUPPORT	14	135
PARTS PACKAGE	0	120
SUPPORT STOWAGE	0	120
PROTECTORS - FRONT SEAT, FLOOR & DOOR	1-4	110
VEHICLE IDENT. NUMBER PLATE CHART	0	116
VEHICLE IDENT. NUMBER PLATE INSTALLATION	1-1	119

**U.P.C. OPTION 35A31
ELECTRIC 4-WINDOW LIFT**

CABLE ASM - JUNC. BLOCK TO CIRC. BRKR.	12	132
FUSE ASSEMBLY	12	100

**U.P.C. OPTION 35A42 & 35A46
ELECTRIC SEAT ADJUSTER**

CABLE ASM - JUNC. BLOCK TO CIRC. BRKR.	12	132
FUSE ASSEMBLY	12	100

**U.P.C. OPTION 35A91
POWER TRUNK LID LATCH**

SWITCH ASSEMBLY	1-3	122
VACUUM -		
HOSE DIAGRAM	1-5	370
HOSE ROUTING - INSIDE OF CAR	1-5	371
HOSE ROUTING - ENGINE COMP.	1-5	372, 373
TANK	1-2	110

**U.P.C. OPTION 35A93
VACUUM DOOR LOCK**

	P. I. M. SEC.	PAGE
HOSE DIAGRAM	1-5	374
HOSE ROUTING	1-5	375
TANK ASM	11	127

**U.P.C. OPTION 35B01 & 35B07
POLICE CAR**

SEE PARTS LIST FOR OPTION GROUPS WHICH
MAKE UP THESE OPTIONS.

**U.P.C. OPTION 35B32 & 35B33
FRONT & REAR AUX. FLOOR MAT**

STOWAGE	0	120
---------	---	-----

**U.P.C. OPTION 35B36
LUGGAGE COMPARTMENT MAT**

STOWAGE	0	120
---------	---	-----

**U.P.C. OPTION 35B84
EXTERIOR BODY SIDE MOULDING**

MOULDING	11	150
----------	----	-----

**U.P.C. OPTION 35B93
DOOR EDGE GUARD**

DOOR EDGE GUARD	1-4	410
-----------------	-----	-----

DATE	SYM	REVISION	DR.	CK.	DATE	SYM	REVISION	DR.	CK.	DATE	SYM	REVISION	DR.	CK.	APPR.	TITLE	PRODUCT INFORMATION MANUAL INDEX
																DATE <i>AUGUST 26, 1968</i>	FIRST USED
																DR. BY <i>W.E. MASON</i>	1969
																CHECKED <i>W.P. Bamhart</i>	OLDSMOBILE PRODUCT
																APPR.	INFORMATION MANUAL
																REF. 13 THRU	MANUAL SEC. INDEX
																35B93	PAGE 7
																SERIES B-C	PART NO. 401901

**U.P.C. OPTION 35K81
DELCOTRON - 60 AMPERE**

	P. I. M. SEC.	PAGE
REGULATOR ASSEMBLY	1-2	110

**U.P.C. OPTION 35L30, 35L31 & 35L32
ENGINE OPTION**

AIR CLEANER ASSEMBLY	6-1	151
BATTERY ASSEMBLY	12	134
ENGINE ASSEMBLY	6-1	100
ENGINE CONVERSION CHART	6-1	120, 121, 122
FUEL TANK CAP ASSEMBLY	8	111
LABEL - EMISSION CONTROL SPEC.	0	124

35L32 DUAL EXHAUST SYSTEM

EXHAUST SYSTEM	8	130
HEAT SHIELD - STEERING COUPLING	6-1	131
USAGE CHART	8	120

**U.P.C. OPTION 35M31, 35M40, 35M41
AUTOMATIC TRANSMISSION**

	P. I. M. SEC.	PAGE
BATTERY CABLE ASSEMBLY	6-1	127
BRAKE PEDAL ARM ASSEMBLY	5	112
ENGINE ASSEMBLY	6-1	100
ENGINE MOUNT ASSEMBLY	6-1	140
EXHAUST PIPE ASSEMBLY (35M31)	8	120
MODULATOR PIPE (35M40, M41)	7	135
MODULATOR PIPE (35M31)	7	136
PARKING BRAKE CABLE (35M31)	5	117
PROPELLER SHAFT ASSEMBLY	4	110
RADIATOR ASSEMBLY	11	117
REAR AXLE USAGE	4	105
ROLL TEST PROCEDURE	0	150
SHIFT CONTROL - COLUMN FLOOR	7 7	140 140, 145, 146
SHIFT INDICATOR ASSEMBLY	9	112
SHIFT IND. DIAL, HOUSING AND SEAL	1-3	110, 111
SHIFT LEVER ASSEMBLY	9	105
STEERING COLUMN ASSEMBLY	9	105
SWITCH ASM - DOWNSHIFT NEUT. START AND BACK-UP	1-1 9	113 111
TRANSMISSION ASSEMBLY (35M40, M41)	7	135
TRANSMISSION ASSEMBLY (35M31)	7	136
TRANSMISSION OIL -		
COOLER PIPE	7	155
FILLER PIPE ASSEMBLY (35M40, M41)	7	135
FILLER PIPE ASSEMBLY (35M31)	7	136
TRANS. SUPPORT MOUNTING ASSEMBLY	6-1	140
TRANSMISSION USAGE CHART	7	100
WIRING - DOWNSHIFT SWITCH NEUT. START AND BACK-UP SWITCH	12 12	111 111

**U.P.C. OPTION 35M55
AUXILIARY OIL COOLER**

	P. I. M. SEC.	PAGE
COOLER ASSEMBLY	11	121
PIPE ASSEMBLY TO RADIATOR	7	155

DATE	SYM	REVISION	DR.	CK.	DATE	SYM	REVISION	DR.	CK.	DATE	SYM	REVISION	DR.	CK.	DATE	SYM	REVISION	DR.	CK.	APPR.	TITLE	PRODUCT INFORMATION MANUAL INDEX	MANUAL SEC.	PAGE
																					1969	INDEX	10	
																					35K81 THRU 35M55	B-C	PART NO. 401901	

OLDSMOBILE DIVISION

GENERAL MOTORS CORPORATION
LANSING -- MICHIGAN

P. 074002, INC. 07/68

**U.P.C. OPTION 35N30
DELUXE STEERING WHEEL**

	SEC.	P. I. M. PAGE
HORN CONTACT ASSEMBLY	9	116
STEERING WHEEL & PAD ASSEMBLY CHART	9	106
WHEEL ASSEMBLY	9	118

**U.P.C. OPTION 35N33
TILT STEERING WHEEL**

COVER ASSEMBLY - LOCK PLATE	9	110
SHIFT LEVER ASSEMBLY	9	110
STEERING COLUMN ASSEMBLY	9	105
WHEEL RELEASE LEVER ASSEMBLY	9	110

**U.P.C. OPTION 35N34
CUSTOM SPORT STEERING WHEEL**

HORN CONTACT ASSEMBLY	9	118
STEERING WHEEL & PAD ASSEMBLY CHART	9	106
WHEEL ASSEMBLY	9	118

**U.P.C. OPTION 35N37
TILT & TRAVEL STEERING WHEEL**

CIGAR LIGHTER ASSEMBLY	1-3	113
HAZARD WARNING KNOB	9	110
HORN INSTRUCTION TAG	0	121
LOCKING LEVER ASSEMBLY	9	121
SHIFT LEVER ASSEMBLY	9	110
STEERING COLUMN ASSEMBLY	9	105
TURN SIGNAL LEVER ASSEMBLY	9	110
STEERING WHEEL & PAD ASSEMBLY CHART	9	106
WHEEL ASSEMBLY	9	120, 121
WHEEL RELEASE LEVER ASSEMBLY	9	110

**U.P.C. OPTION 35N40 & 35N47
POWER STEERING**

	SEC.	P. I. M. PAGE
FLUID FILL PROCEDURE	9	100
GEAR ASSEMBLY	9	125
HOSE ASSEMBLY - PRESSURE	9	125
HOSE - RETURN	9	125
PUMP ASSEMBLY	6-1	126
STEERING LINKAGE ASSEMBLY	3	110

**U.P.C. OPTION 35N42
RIM BLOWER STEERING WHEEL**

HORN CONTACT WIRE	9	116
HORN INSTRUCTION TAG	0	121
STEERING WHEEL & PAD ASSEMBLY CHART	9	106
WHEEL ASSEMBLY	9	116

**U.P.C. OPTION 35N99
HEAVY DUTY WHEEL**

WHEEL USAGE CHART	10	105
-------------------	----	-----

**U.P.C. OPTION 35PO3
DELUXE WHEEL DISC**

COVER ASSEMBLY STOWAGE	0	120
DISC ASSEMBLY	10	120
TIRE VALVE EXT. PACKAGE STOWAGE	0	120

TIRE USAGE CHART FOR TIRE OPTIONS WILL
BE FOUND IN P. I. M. SECTION 10, PAGE 100

**U.P.C. OPTION 35T87
CORNERING LAMPS**

	SEC.	P. I. M. PAGE
FENDER ASSEMBLY	11	105
LAMP ASSEMBLY	11	133
STEERING COLUMN ASSEMBLY	9	105
WIRING	12	335, 336

**U.P.C. OPTION 35U11
INSTRUMENT CLUSTER-CERTIFIED**

CLUSTER ASSEMBLY	1-3	120
------------------	-----	-----

**U.P.C. OPTION 35U15
SAFETY SENTINAL**

CLUSTER ASSEMBLY	1-3	120
------------------	-----	-----

TITLE										PRODUCT INFORMATION MANUAL INDEX									
DATE	SYM	REVISION	DR.	CK.	DATE	SYM	REVISION	DR.	CK.	DATE	SYM	REVISION	DR.	CK.	APPR.	FIRST USED	OLDSMOBILE PRODUCT INFORMATION MANUAL	MANUAL SECTION	PAGE
																1969		INDEX	11
																35N30 THRU 35U15	SERIES B-C	PART NO. 401901	

**U.P.C. OPTION 35U29
COURTESY LAMPS**

	P. I. M.	
	SEC.	PAGE
HOUSING ASM	1-3	111
MAP LAMP ASM	1-3	110
SOCKET & WIRE ASM	12	110

**U.P.C. OPTION 35U35
ELECTRIC CLOCK**

	P. I. M.	
	SEC.	PAGE
CLOCK ASM	1-3	120
WIRING	12	110

**U.P.C. OPTION 35U57
STEREO TAPE PLAYER**

	P. I. M.	
	SEC.	PAGE
ALBUM	0	120
FADER CONTROL	1-3	320
GROUND STRAP ASM	1-3	322
PLAYER ASM	1-3	322
PLAYER MOUNTING TO I. P.	1-3	322
REAR SEAT SPEAKER ASM	1-4	330
WIRING	12	325

**U.P.C. OPTION 35U58,35U59,35U63
RADIO RECEIVER**

	P. I. M.	
	SEC.	PAGE
ANTENNA ASSEMBLY	1-4	320
ANTENNA LEAD- IN ROUTING	1-4	321
APPLIQUE	1-3	110
CAPACITOR ASSEMBLY - COIL REGULATOR	6-1 1-2	127 110
HEATER BLOWER	12	117
FUSE ASSEMBLY	12	100
GROUND STRAP ASM - CONTROL ARM I. P. TIE BAR	3 1-3	112 320
MAST ASSEMBLY STOWAGE	0	120
RECEIVER ASSEMBLY	1-3	320
SPEAKER ASSEMBLY - FRONT REAR (35U58)	1-1 1-4	111 330
STATIC COLLECTOR ASSEMBLY	3	111
WIRING - 35U58 EXC. 35U58	12 12	322 320

**U.P.C. OPTION 35U71
ELECTRIC ANTENNA**

	P. I. M.	
	SEC.	PAGE
ANTENNA ASSEMBLY	11	140
FUSE ASSEMBLY	12	100
GROUND WIRE	11	140
SWITCH ASSEMBLY	1-3	113
WIRING	12	330

**U.P.C. OPTION 35U80
REAR SEAT SPEAKER**

	P. I. M.	
	SEC.	PAGE
FADER CONTROL ASSEMBLY	1-3	320
SPEAKER ASSEMBLY	1-4	330
WIRING TO RADIO	12	320

**U.P.C. OPTION 35U89
CAR TRAILER WIRING HARNESS**

	P. I. M.	
	SEC.	PAGE
TURN SIGNAL FLASHER ASSEMBLY	1-3	120

**U.P.C. OPTION 35Y60
ACCESSORY PACKAGE GROUP**

	P. I. M.	
	SEC.	PAGE
<u>35D34</u> VISOR VANITY MIRROR	1-4	117
<u>35U25</u> TRUNK LAMP ASSEMBLY	12	360

(CONTINUED)

TITLE												PRODUCT INFORMATION MANUAL INDEX							
DATE	SYM	REVISION	DR.	CK.	DATE	SYM	REVISION	DR.	CK.	DATE	SYM	REVISION	DR.	CK.	AFFR.	FIRST USED	OLDSMOBILE PRODUCT INFORMATION MANUAL	MANUAL SECTION	PAGE
																1969	INDEX		12
DATE <i>AUGUST 26, 1968</i>																			
DR. BY <i>ED J. ROE</i>																			
CHECKED <i>JMB/ambart</i>																			
APPR.																			
												REF. 35U29 THRU 35Y60		SERIES B-C		PART NO. 401901			

	P. I. M. SEC.	PAGE
(35Y60 CONTINUED)		
	<u>35U26</u>	
UNDERHOOD LAMP ASM	11	181
UNDERHOOD LAMP WIRING	12	340
	<u>35U27</u>	
GLOVE BOX LAMP ASM	1-3	122
GLOVE BOX LAMP SWITCH ASM	1-3	122
GLOVE BOX LAMP WIRING	12	110
	<u>35UF1</u>	
MIRROR & LAMP ASM	1-4	115
FUSES	12	100

**U.P.C. OPTION 35Y72
HEAVY DUTY GEN. & ENG. COOLING**

ENGINE ASM	6-1	100
ENGINE CONVERSION CHART	6-1	121
FAN BLADE ASM & CLUTCH ASM	6-1	210

	P. I. M. SEC.	PAGE
GENERATOR ASSEMBLY	6-1	111, 113
RADIATOR ASSEMBLY	11	117
RADIATOR IDENTIFICATION CHART	11	108
RADIATOR INLET HOSE	11	116
RADIATOR UPPER BAFFLE ASSEMBLY	11	118

**U.P.C. SECTION 96 THRU 96-14
G.M. OF CANADA**

	P. I. M. SEC.	PAGE
FOLDER - OPTIONS & ACCESSORIES	0	120
LABEL - OIL CHANGE	0	126
LABEL - RETAIL	0	123
OWNER OPERATING MANUAL	0	120
WARRANTY CERTIFICATE	0	120

**U.P.C. SECTION 97-1 THRU 97-35
G.M. ASSEMBLY PLANTS**

APPEARANCE WAX	0	135
BRACKET - VACUUM CONTROL MOUNTING	1-1	120, 121
BUMPER - REAR AXLE	4	111
COVER - FRONT SEAT PROTECTOR	1-4	110
POWER BRAKE CYL. ASM - 35J50 & 35JL2	5	110

DATE	SYM	REVISION	DR.	CK.	DATE	SYM	REVISION	DR.	CK.	DATE	SYM	REVISION	DR.	CK.	APPR.																																																																																																										
<table border="0" style="width:100%"> <tr> <td colspan="10">TITLE</td> <td colspan="6">PRODUCT INFORMATION MANUAL INDEX</td> </tr> <tr> <td colspan="10">DATE <i>AUGUST 26, 1968</i></td> <td colspan="2">FIRST USED</td> <td colspan="2">OLDSMOBILE PRODUCT</td> <td colspan="2">MANUAL SEC.</td> <td colspan="2">PAGE</td> </tr> <tr> <td colspan="10">DR. BY <i>ED J. ROE</i></td> <td colspan="2">1969</td> <td colspan="2">INFORMATION MANUAL</td> <td colspan="2">INDEX</td> <td colspan="2">13</td> </tr> <tr> <td colspan="10">CHECKED <i>My Barnhart</i></td> <td colspan="2">REF.</td> <td colspan="2">SERIES</td> <td colspan="2">PART</td> <td colspan="2">NO.</td> </tr> <tr> <td colspan="10">APPR.</td> <td colspan="2">35Y60 THRU</td> <td colspan="2">B-C</td> <td colspan="2">401901</td> <td colspan="2"></td> </tr> <tr> <td colspan="10"></td> <td colspan="2">97-35</td> <td colspan="2"></td> <td colspan="2"></td> <td colspan="2"></td> </tr> </table>																TITLE										PRODUCT INFORMATION MANUAL INDEX						DATE <i>AUGUST 26, 1968</i>										FIRST USED		OLDSMOBILE PRODUCT		MANUAL SEC.		PAGE		DR. BY <i>ED J. ROE</i>										1969		INFORMATION MANUAL		INDEX		13		CHECKED <i>My Barnhart</i>										REF.		SERIES		PART		NO.		APPR.										35Y60 THRU		B-C		401901														97-35							
TITLE										PRODUCT INFORMATION MANUAL INDEX																																																																																																															
DATE <i>AUGUST 26, 1968</i>										FIRST USED		OLDSMOBILE PRODUCT		MANUAL SEC.		PAGE																																																																																																									
DR. BY <i>ED J. ROE</i>										1969		INFORMATION MANUAL		INDEX		13																																																																																																									
CHECKED <i>My Barnhart</i>										REF.		SERIES		PART		NO.																																																																																																									
APPR.										35Y60 THRU		B-C		401901																																																																																																											
										97-35																																																																																																															



SECTION 1-2 FRONT OF DASH

- 100 CHARTS
- 110 DASH COMPONENTS AND WINDSHIELD
WIPER INSTALLATION
- 210 AIR CONDITIONING DASH COMPONENTS

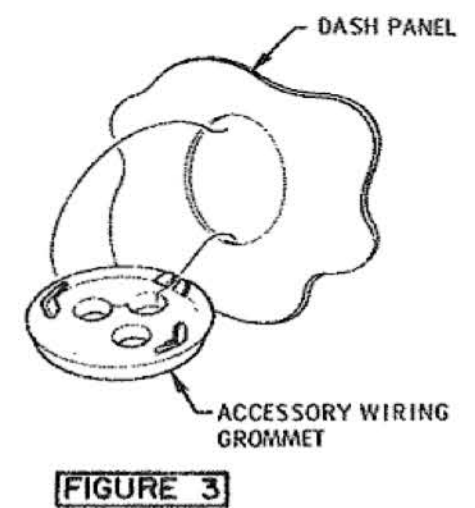
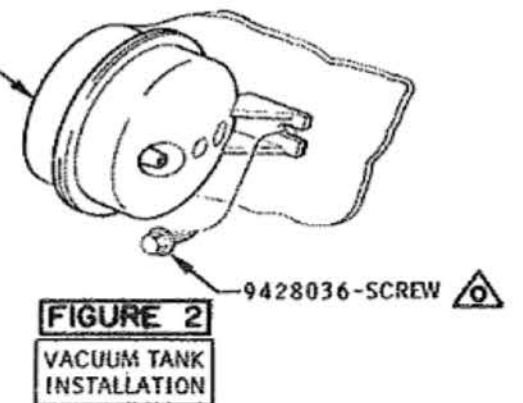
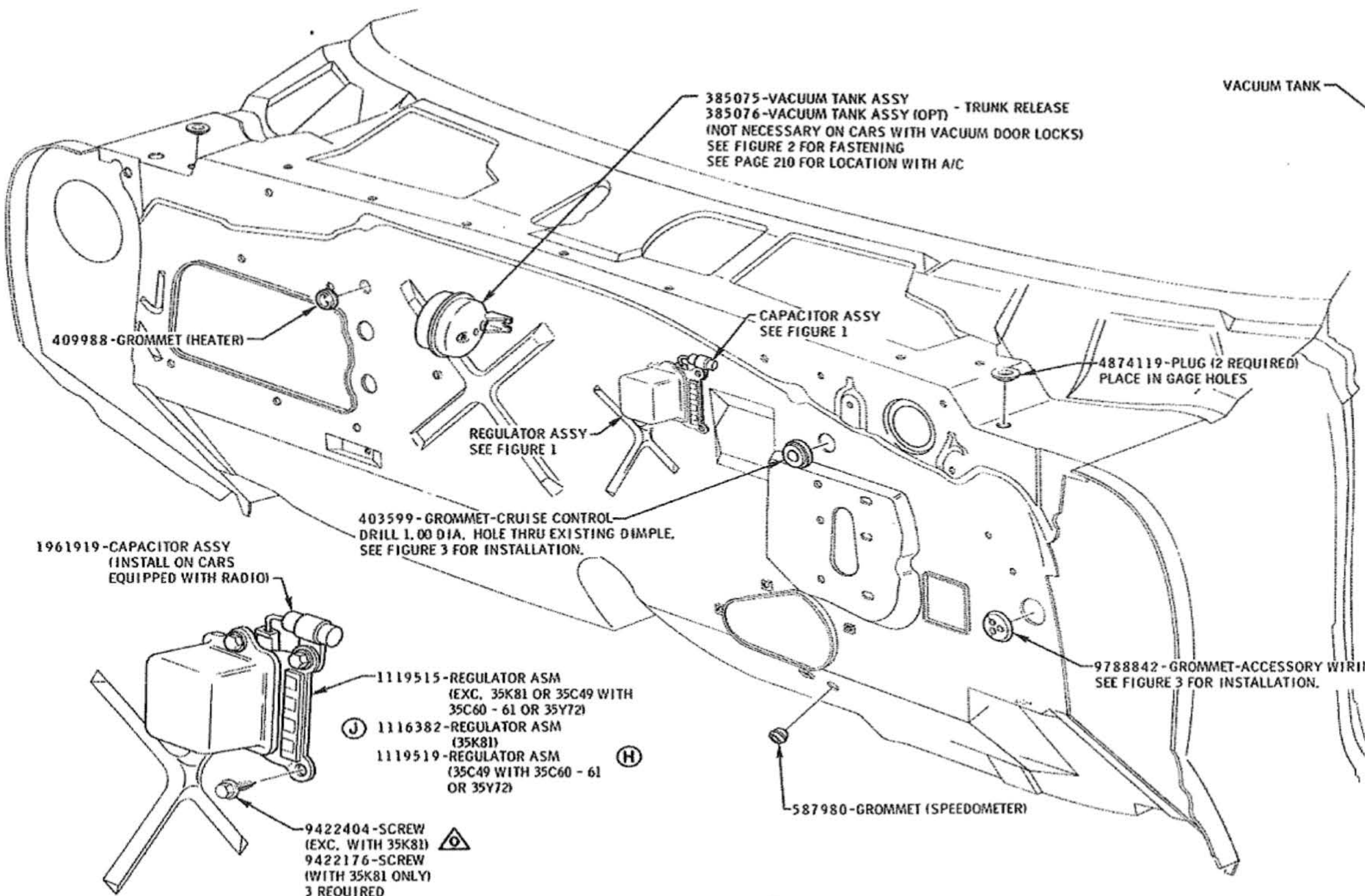


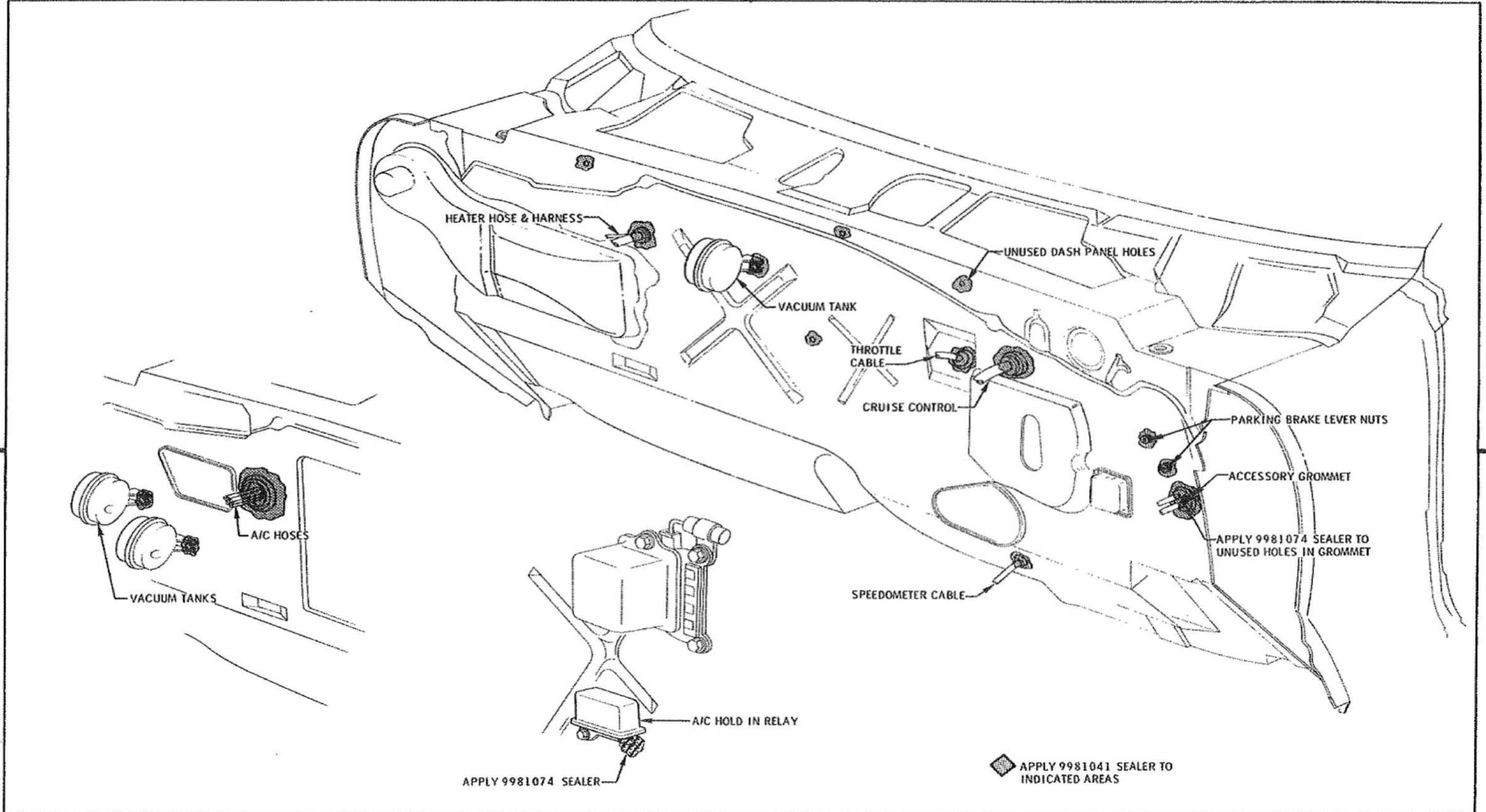
FIGURE 1

G NOTE
 FOR DASH PANEL SEALING
 SEE PAGE 111.

\triangle MUST BE FULLY DRIVEN, SEATED AND NOT STRIPPED

DATE	SYH	REVISION	DR	CK	DATE	SYM	REVISION	DR	CK	DATE	SYM	REVISION	DR	CK	DATE	SYM	REVISION	TITLE	DR.	DATE	FIRST USED	OLDSMOBILE PRODUCT INFORMATION MANUAL	MANUAL SEC.	PAGE
					3-12-68	E	PART NUMBER ADDED																	
					4-16-68	J	WAS 1116378-REG. ASM	BP	DT	3-12-68	D	403599-GROMMET ADDED										1969	1-2	110
					12-12-68	H	1119519-REGULATOR ADDED	PM	DT	5-4-68	C	FIGURE 3 ADDED												
					12-12-68	G	SCHEMATIC NOTES MOVED TO 111	PM	DT	3-4-68	B	WAS 392199-GROMMET												
					3-18-68	F	WAS 9423329-SCREW	PM	DT	3-4-68	A	4874119-PLUG ADDED												

REF. 192C 35A91 35463	SERIES B-C	PART NO. 401901
-----------------------------	----------------------	---------------------------



REVISION												TITLE						
DATE	SYM	REVISION	DR.	CK.	DATE	SYM	REVISION	DR.	CK.	DATE	SYM	DASH PANEL SEALING						
												DATE	JAN. 24 1969	FIRST USED	1969	OLDSMOBILE PRODUCT	MANUAL SEC.	PAGE
												DR. BY	P. LOCATELLI	REF.		INFORMATION MANUAL	1-2	111
												CHECKED	<i>[Signature]</i>			SERIES	B-C	PART NO.
												APPR.	<i>[Signature]</i>					401901



SECTION 1-3 INSTRUMENT PANEL

- 110 INSTRUMENT PANEL COMPONENTS
- 210 AIR CONDITIONING COMPONENTS
- 320 RADIO

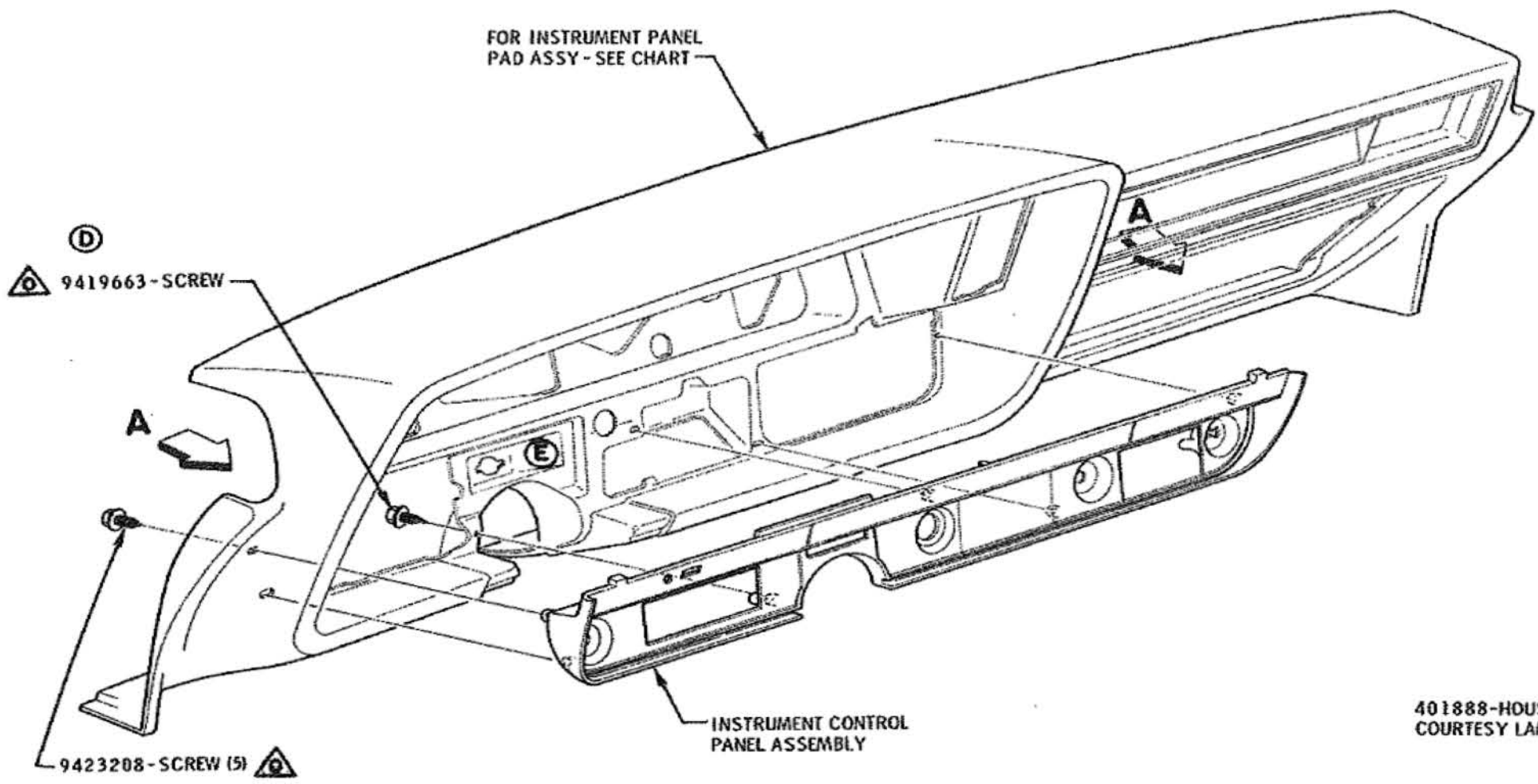
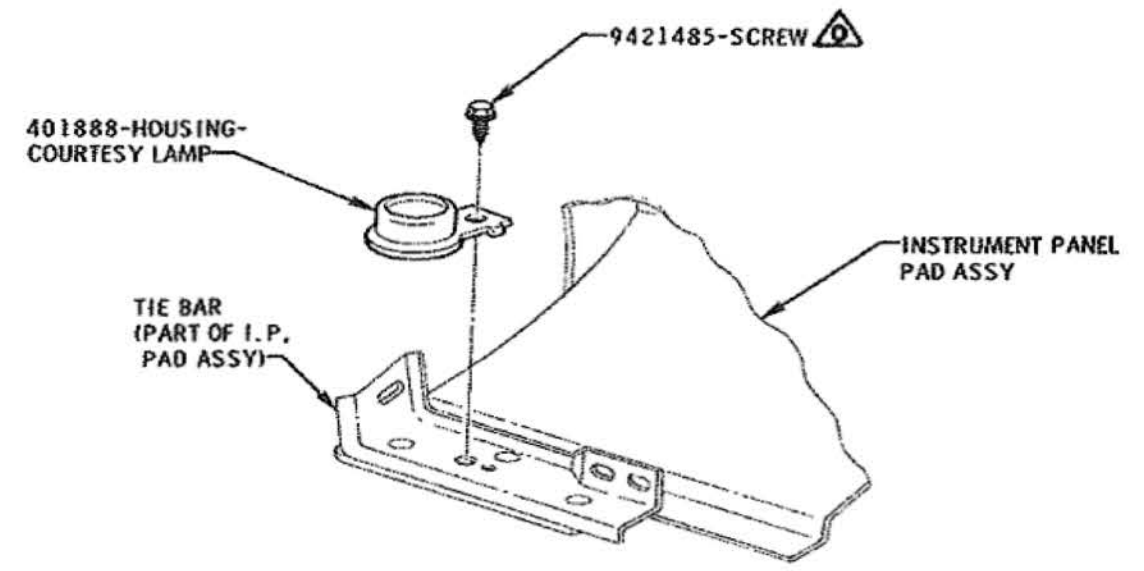


CHART - I. P. PAD ASSY	
NUMBER	COLOR
402357	BLACK
402358	DK. GREEN
402359	DK. BLUE
402360	DK. GOLD
402361	DK. TURQUOISE
402513	DK. SANDALWOOD



VIEW A

COURTESY LAMP HOUSING TO TIE BAR

(L.H. SHOWN, R.H. SIMILAR)

MUST BE FULLY DRIVEN, SEATED AND NOT STRIPPED

DATE	SYM	REVISION	DR.	CK.	DATE	SYM	REVISION	DR.	CK.	DATE	SYM	REVISION	DR.	CK.	DATE	SYM	REVISION	DR.	CK.	TITLE	FIRST USED	OLDSMOBILE PRODUCT INFORMATION MANUAL	MANUAL SEC.	PAGE
					2-15-69	E	401815 - SEAL MOVED TO R.110													CONTROL PANEL AND COURTESY LAMP HOUSINGS				
					8-28-68	D	PART NO. ADDED													DATE DECEMBER 8, 1967	FIRST USED			
					8-28-68	C	WAS 9419663-SCREW (6)													DR. BY R.J. McKESSY	1969		1-3	111
					5-24-68	B	WAS 5 SCREWS REQD													CHECKED MY Barnhart				
					4-19-68	A	CHART ADDED													APPR. <i>Tong</i>	REF. 1A28 7A 12L 35M40, 141	SERIES		
																				APPR. <i>JUL 1/23/68</i>		B-C		
																						PART NO.		
																							401901	

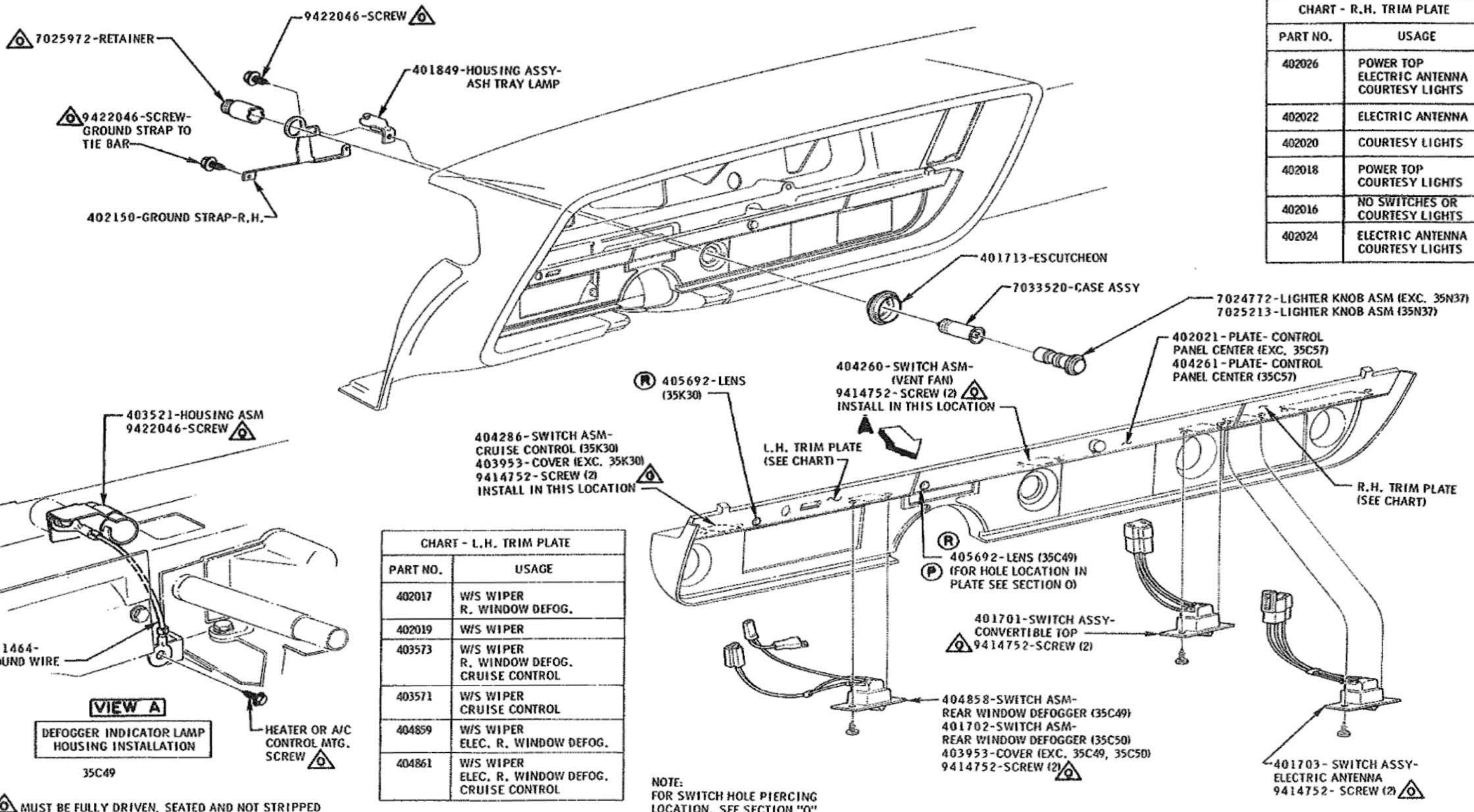
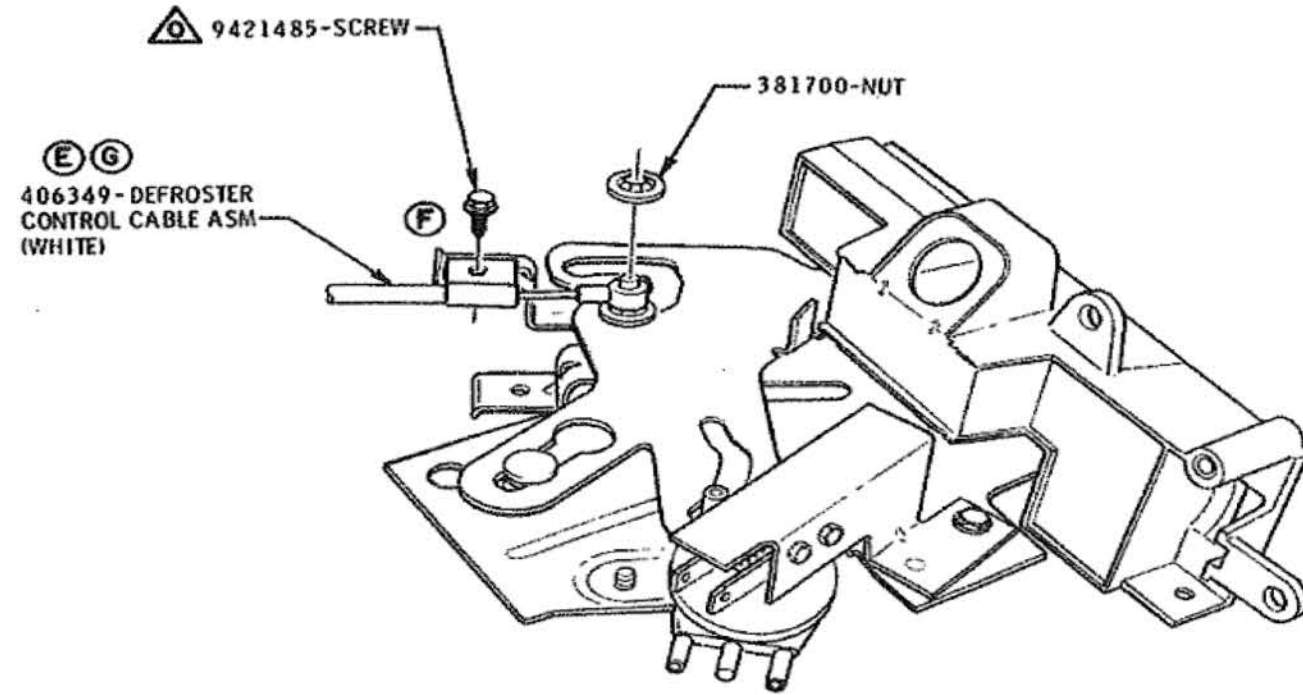


CHART - R.H. TRIM PLATE	
PART NO.	USAGE
402026	POWER TOP ELECTRIC ANTENNA COURTESY LIGHTS
402022	ELECTRIC ANTENNA
402020	COURTESY LIGHTS
402018	POWER TOP COURTESY LIGHTS
402016	NO SWITCHES OR COURTESY LIGHTS
402024	ELECTRIC ANTENNA COURTESY LIGHTS

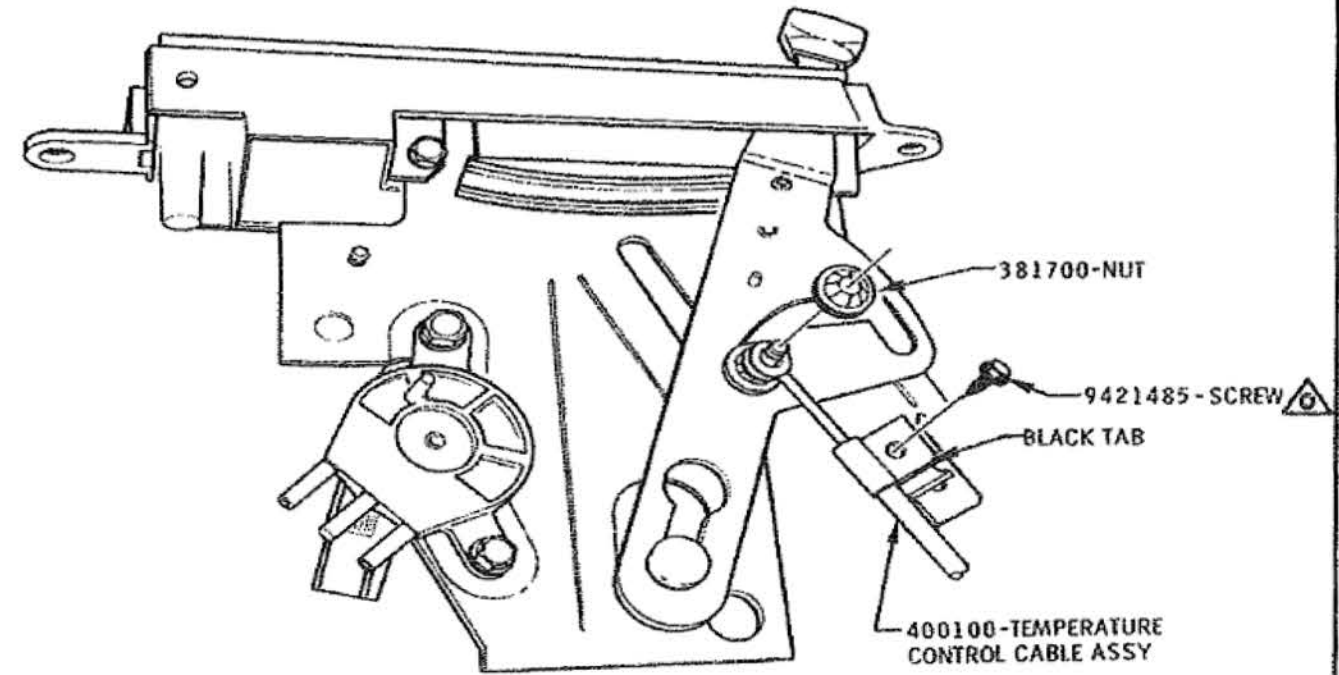
CHART - L.H. TRIM PLATE	
PART NO.	USAGE
402017	W/S WIPER R. WINDOW DEFOG.
402019	W/S WIPER
403573	W/S WIPER R. WINDOW DEFOG. CRUISE CONTROL
403571	W/S WIPER CRUISE CONTROL
404859	W/S WIPER ELEC. R. WINDOW DEFOG.
404861	W/S WIPER ELEC. R. WINDOW DEFOG. CRUISE CONTROL

NOTE:
FOR SWITCH HOLE PIERCING
LOCATION, SEE SECTION "O"

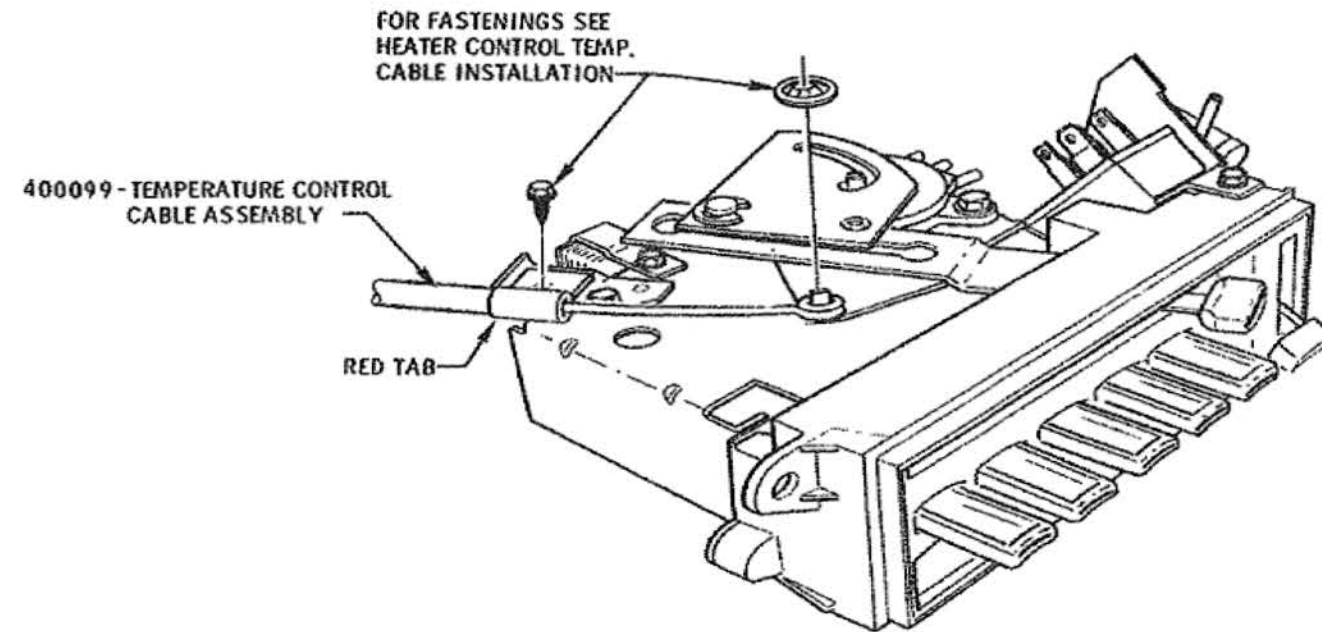
DATE	SYM	REVISION	DR.	CK.	DATE	SYM	REVISION	DR.	CK.	DATE	SYM	REVISION	DR.	CK.	DATE	SYM	REVISION	DR.	CK.	TITLE	FIRST USED	OLDSMOBILE PRODUCT INFORMATION MANUAL	MANUAL SEC. PAGE
1-17-69	R2	WAS 401439-LENS	Roe		7-2-68	K	404260-SWITCH ADDED	SJR	MB	4-19-68	E	PART NO. ADDED	SJR	MB						R.H. GROUND STRAP, CIGAR LIGHTER, ACC. SWITCHES	1969		1-3 113
12-6-68	P	NOTE ADDED	Roe	MB	7-2-68	J	404261-PLATE ADDED	SJR	MB	3-11-68	D	CHART REVISED	SJR	MB						DATE DECEMBER 8, 1967			
11-9-68	N2	35C49 ADDED	Roe	MB	6-27-68	H	7031045-KNOB ADDED	SJR	MB	3-11-68	C	403554-SWITCH ADDED	SJR	MB						DR. BY ED J. ROE			
8-2-68	M	WAS 403556	JR	MB	6-27-68	G2	403953-COVER ADDED	SJR	MB	3-11-68	B	401439-LENS ADDED	SJR	MB						CHECKED MB Bernhart	REF. 142B		
7-26-68	L	WAS 7031045	JR	MB	4-19-68	F2	WAS 9419665	SJR	MB	3-11-68	A	WAS 7020406	SJR	MB						APPR. Tangler	126 35C50	SERIES B-C	PART NO. 401901
																				APPR. SM 1/23/68	35U29, U75		



TOP VIEW OF HEATER CONTROL



BOTTOM VIEW OF HEATER CONTROL



BOTTOM VIEW OF A/C CONTROL

(35C60 ONLY)

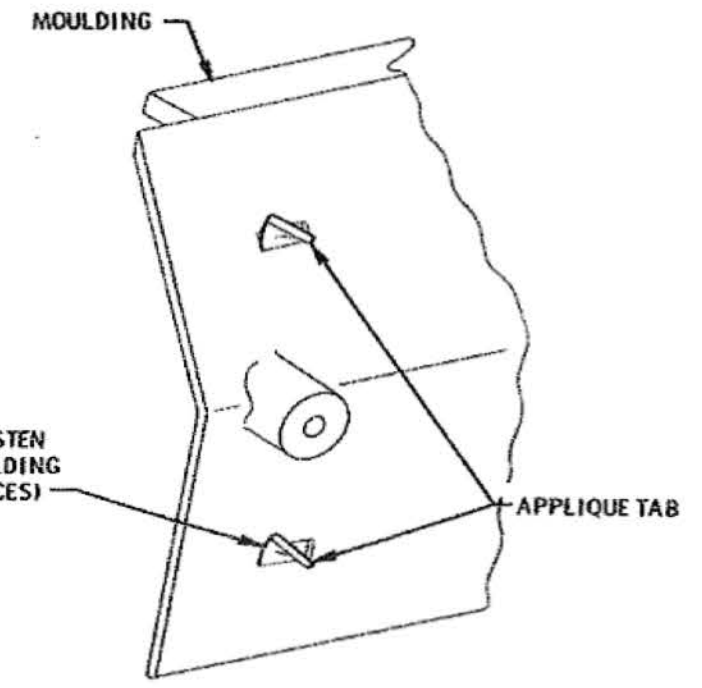
MUST BE FULLY DRIVEN, SEATED AND NOT STRIPPED.

DATE	SYM	REVISION	DR.	CK.	DATE	SYM	REVISION	DR.	CK.	DATE	SYM	REVISION	DR.	CK.	DATE	SYM	REVISION	DR.	CK.	TITLE	FIRST USED	OLDSMOBILE PRODUCT INFORMATION MANUAL	MANUAL SEC.	PAGE	
					10-28-68	E	WAS 404225	ER	MPB												HEATER AND A/C CONTROL CABLES				
					9-26-68	D	WAS 404278	ER	MPB												DATE APRIL 8, 1968	1969		1-3	115
					9-9-68	C	REVISED & REDRAWN	PL	MPB												DR. BY ED J ROE				
					4-26-69	G	WAS 404255	PL	MPB	7-31-68	B	WAS 403166									CHECKED MPBarnhart	REF. 1A2L	SERIES		
					1-2-69	F	ATTACHMENT REVISED	ER	MPB	6-27-68	A	WAS 403743									APPR. SCHUTTENBERG	35000	B-C	PART NO.	401901
																					APPR. SMC 4/17/68				

CHART - APPLIQUE - NAME PLATE

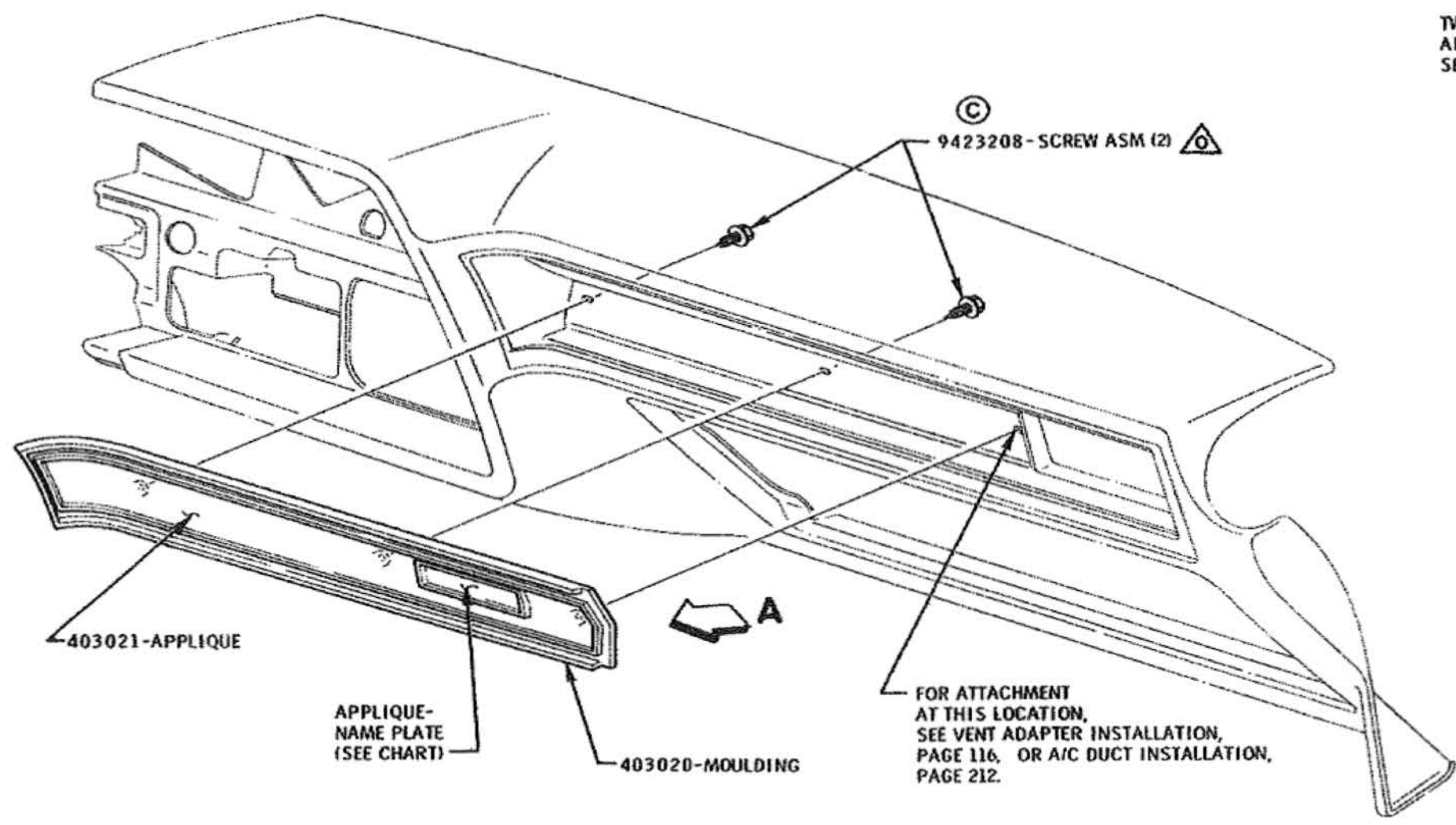
PART NO.	SERIES
402812	5400
402813	6400
403650	6600
402814	8400
402815	8600

(A)



VIEW A

APPLIQUE TO MOULDING

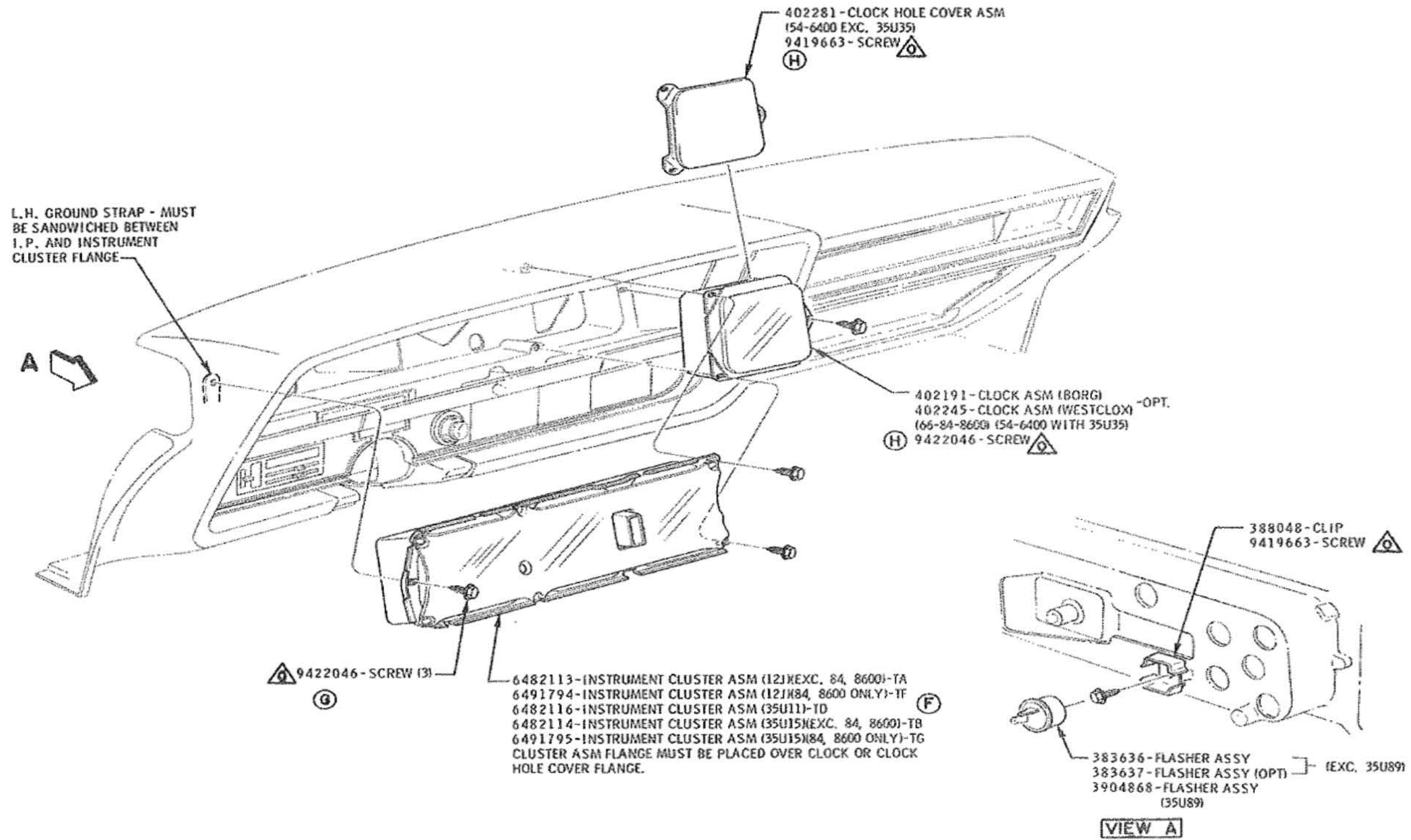


(C) 9423208-SCREW ASM (2) (triangle symbol)

FOR ATTACHMENT AT THIS LOCATION, SEE VENT ADAPTER INSTALLATION, PAGE 116, OR A/C DUCT INSTALLATION, PAGE 212.

(triangle symbol) MUST BE FULLY DRIVEN, SEATED AND NOT STRIPPED.

DATE	SYM	REVISION	DR	CK.	DATE	SYM	REVISION	DR	CK.	DATE	SYM	REVISION	DR	CK.	TITLE	FIRST USED	OLDSMOBILE PRODUCT INFORMATION MANUAL	MANUAL SEC.	PAGE	SERIES	PART NO.
															R. H. MOULDING AND APPLIQUES	1969	1-3	116	B-C	401901	
					7-31-68	C	WAS 9419663 SCREW	EJR	DT						DATE JANUARY 12, 1968						
					4-19-68	B	WAS MANUAL PAGE 115	EJR	DT						DR BY ED J. ROE						
					4-19-68	A	CHART REVISED	EJR	DT						CHECKED <i>[Signature]</i>						
															APPR. <i>[Signature]</i>						
															APPR. <i>[Signature]</i>						
																1A2B					



VIEW A

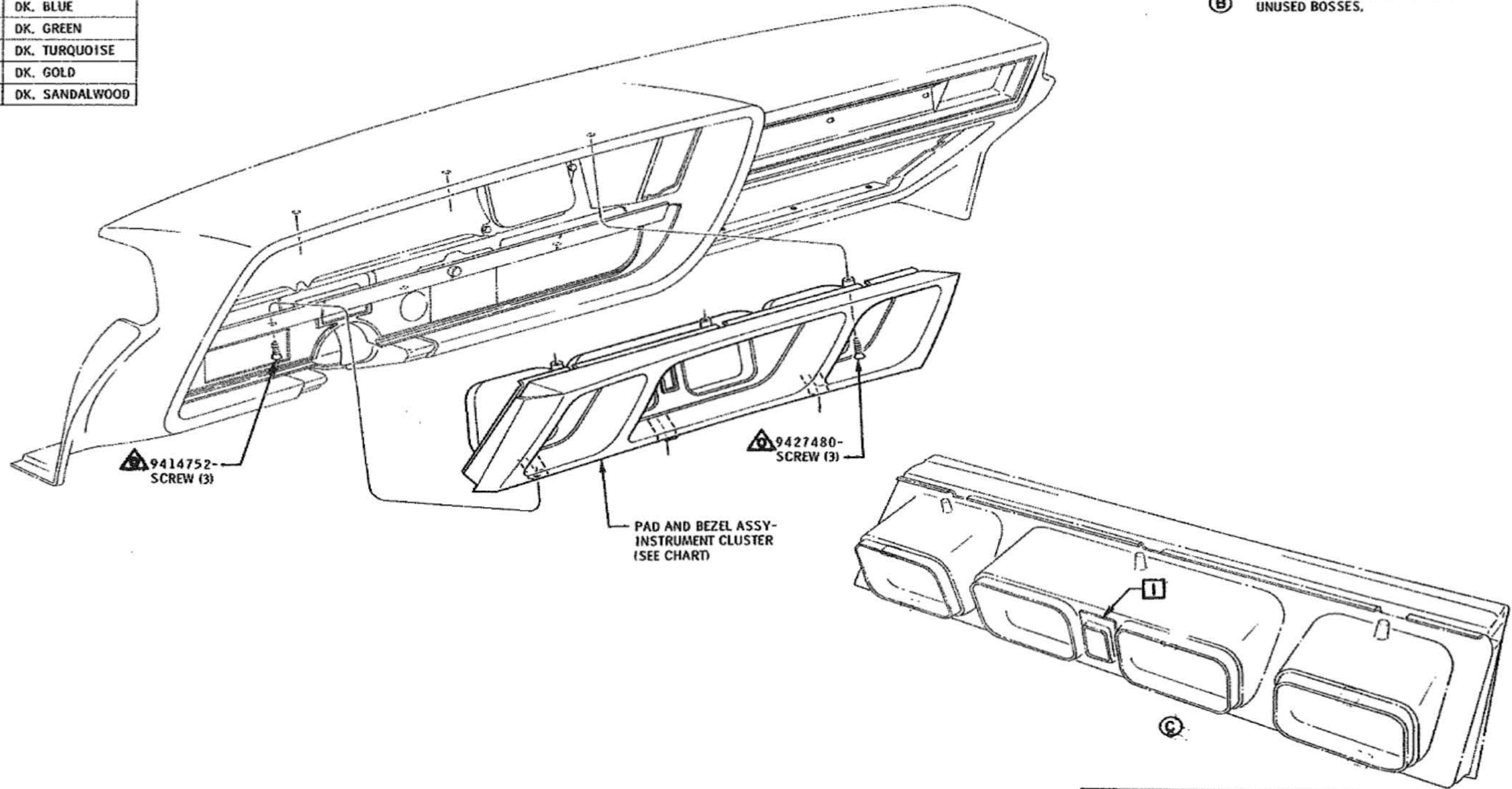
TURN SIGNAL FLASHER INSTALLATION

⊠ MUST BE FULLY DRIVEN, SEATED AND NOT STRIPPED.

DATE	SYM	REVISION	DR.	CK.	DATE	SYM	REVISION	DR.	CK.	DATE	SYM	REVISION	DR.	CK.	DATE	SYM	REVISION	DR.	CK.	TITLE	FIRST USED	OLDSMOBILE PRODUCT INFORMATION MANUAL	MANUAL SEC.	PAGE
					6-28-68	E	6491795 - ADDED													INSTRUMENT CLUSTER, CLOCK, CLOCK HOLE COVER	1969	1-3	120	
					6-28-68	D	6491794 - ADDED													DATE DECEMBER 11, 1967	1969			
					11-20-68	H	PART NOS. ADDED													DR. BY P. J. MURPHY				
					11-20-68	G	WA, 4 SCREWS													CHECKED BY Barnhart				
					2-6-68	F	CODES ADDED													REF 12C 12J, 12L 35U35, etc				
																				APPR. [Signature]		B-C		
																				APPR. SMC 1/23/68			401901	

PAD AND BEZEL ASSY CHART	
6482412	BLACK
6482413	DK. BLUE
6482414	DK. GREEN
6482415	DK. TURQUOISE
6482416	DK. GOLD
6483326	DK. SANDALWOOD

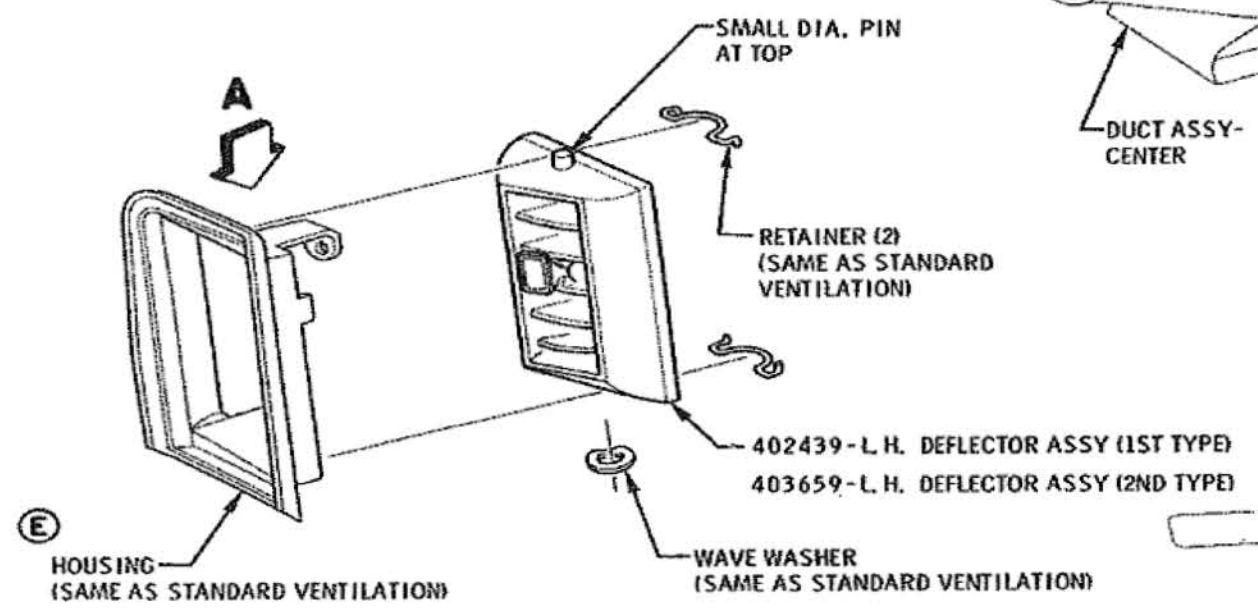
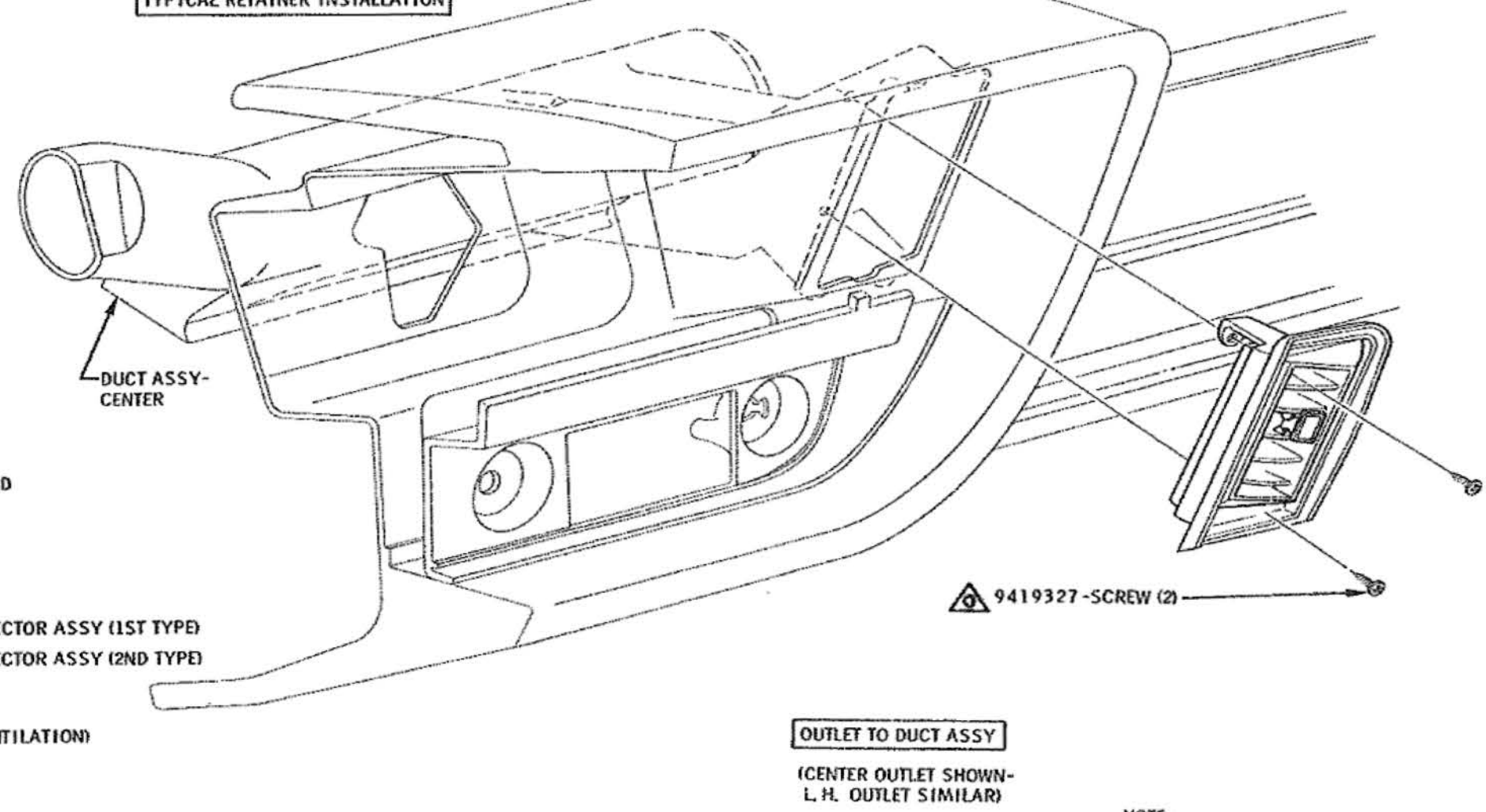
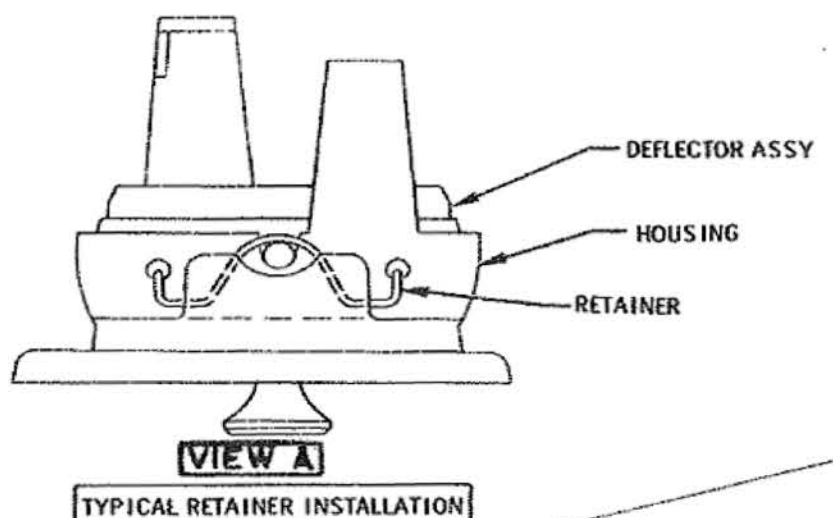
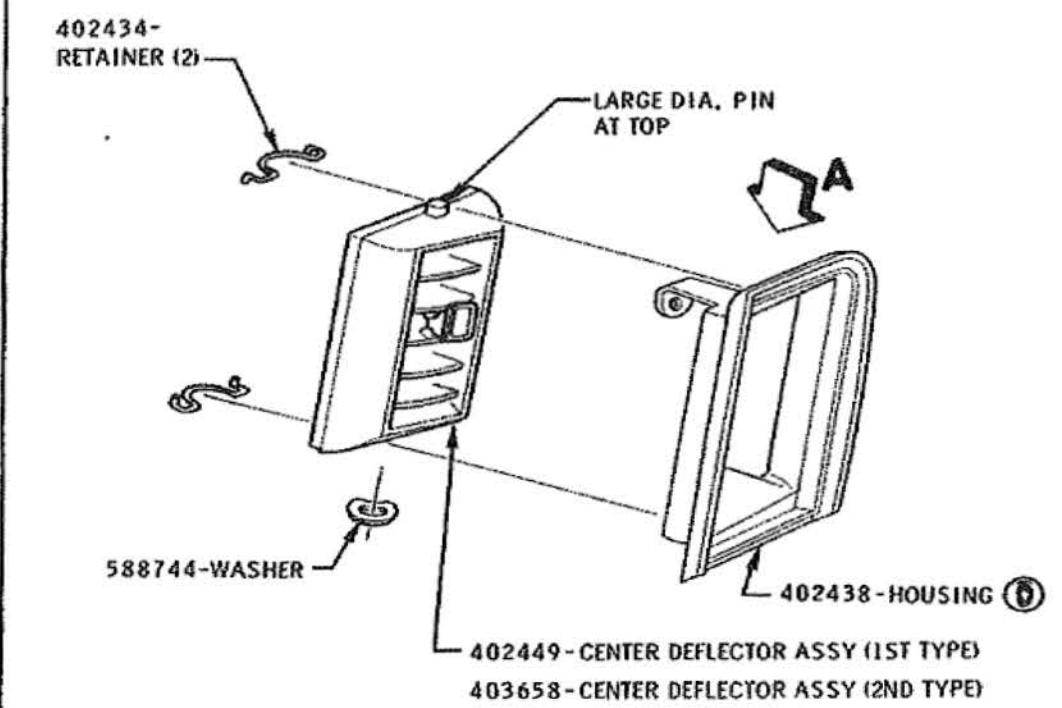
- I** FOR CARS WITH KILO SPEEDOMETERS- REMOVE EXISTING RED FILTER, INSTALL 6492975-FILTER (BLUE) BY HOT STAKING ON TWO EXISTING UNUSED BOSSES.
- B**



⚠ MUST BE FULLY DRIVEN, SEATED AND NOT STRIPPED.

REAR VIEW OF PAD AND BEZEL ASSEMBLY

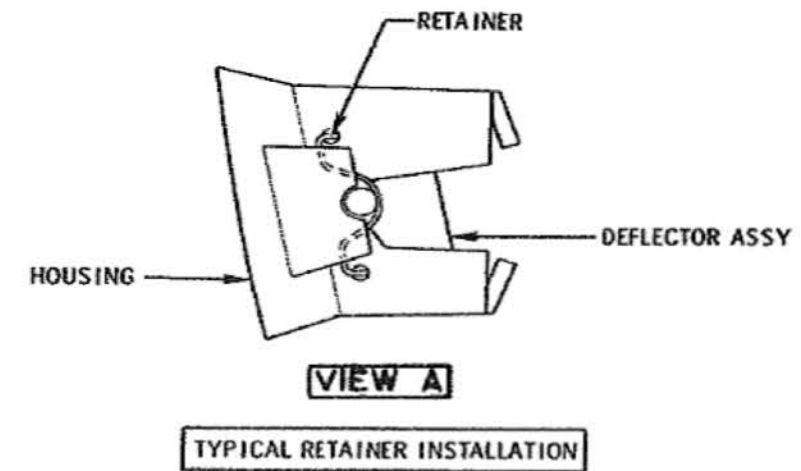
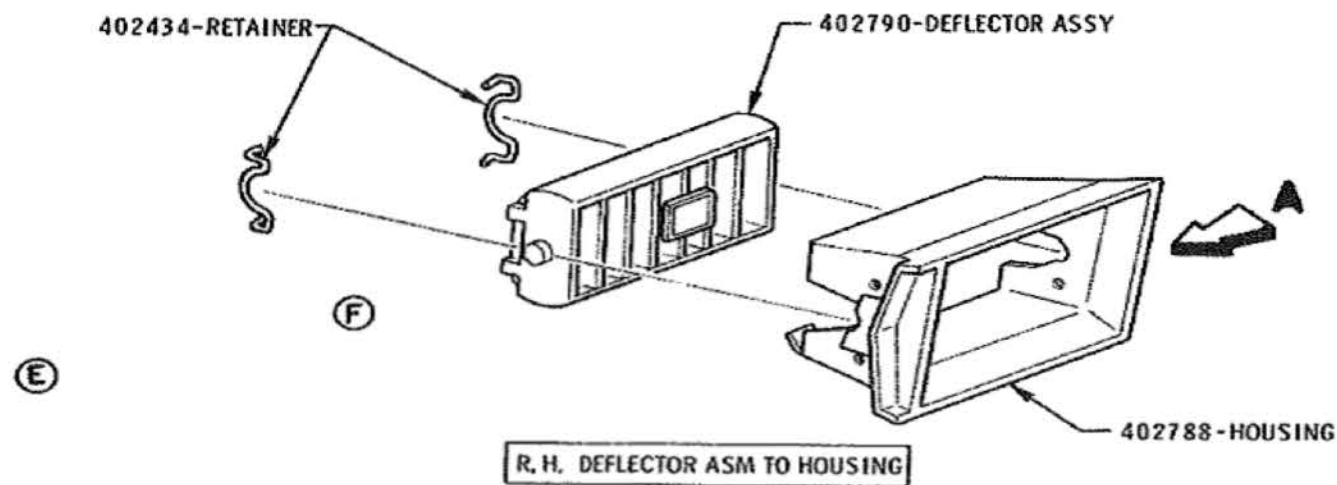
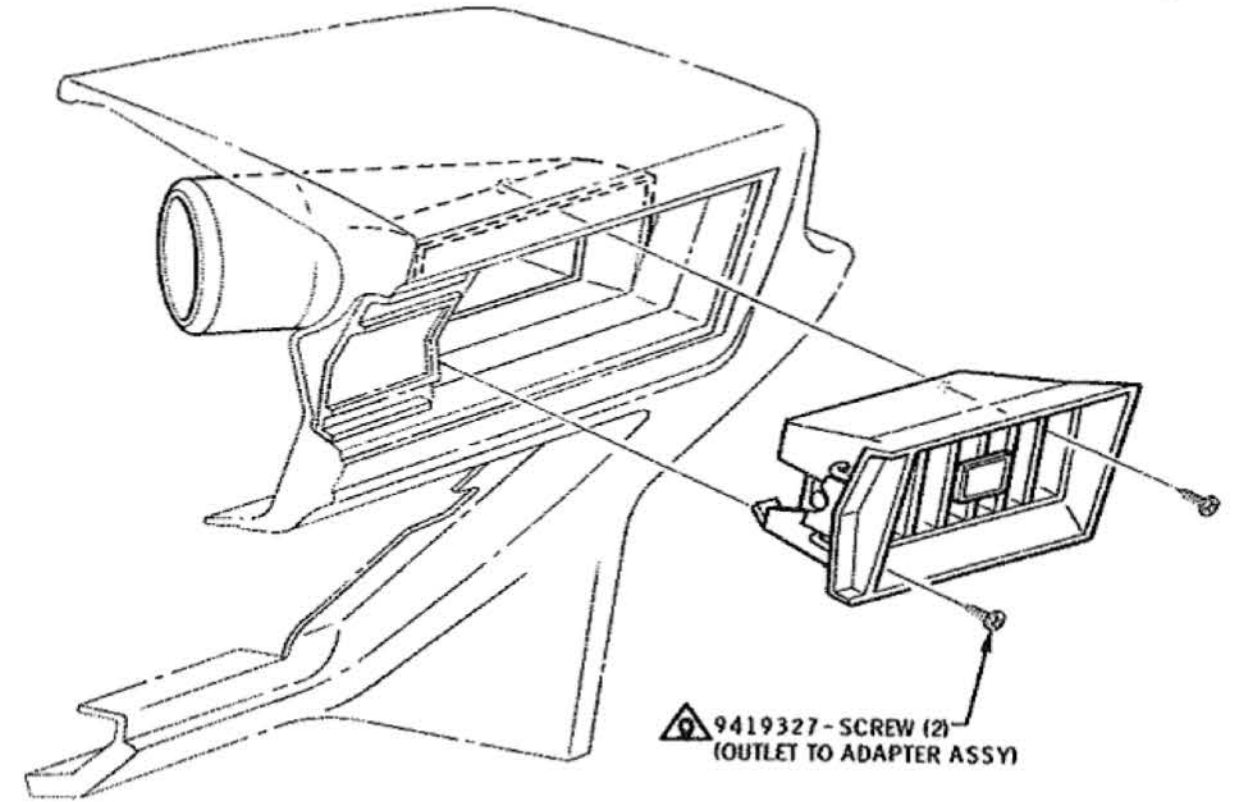
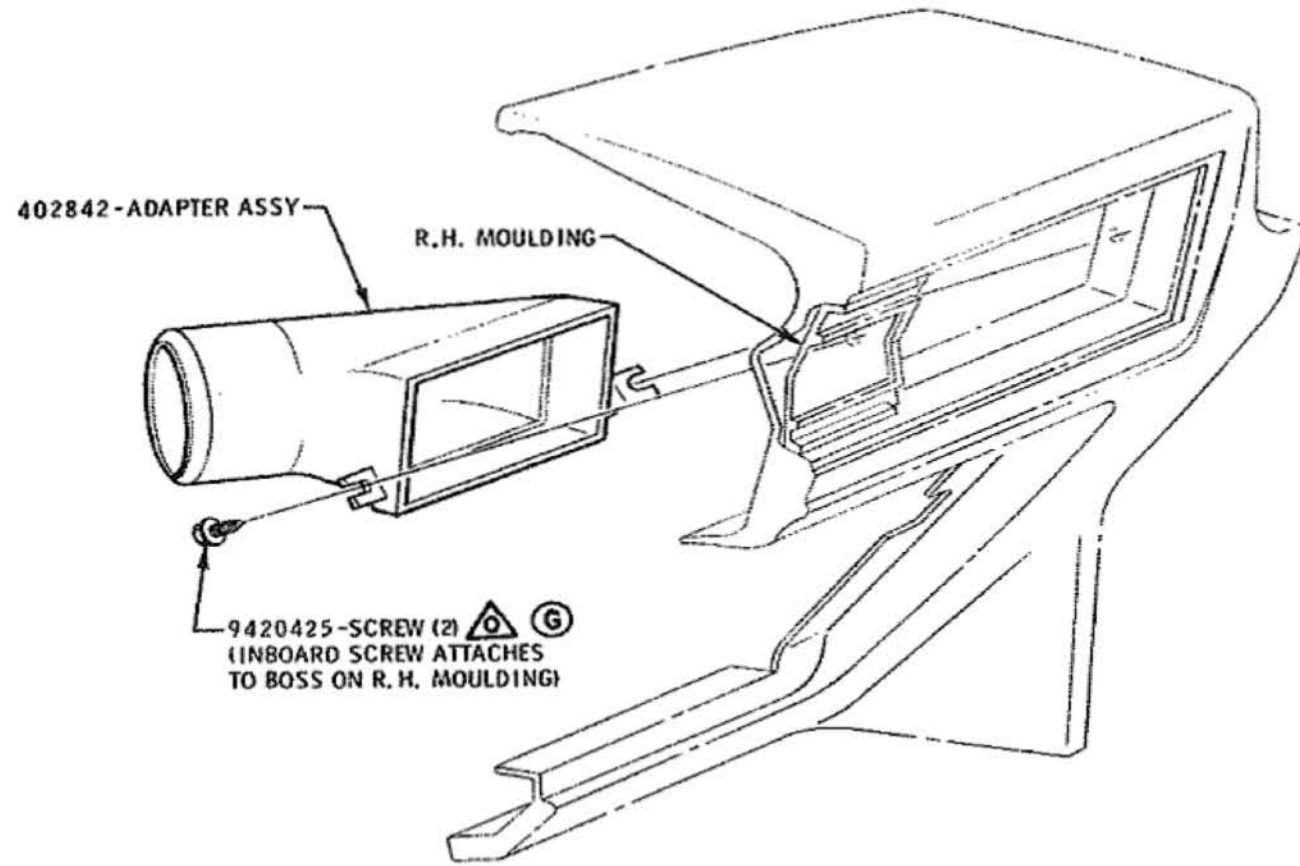
DATE	SYM	REVISION	DR.	CK.	DATE	SYM	REVISION	DR.	CK.	DATE	SYM	REVISION	DR.	CK.	TITLE	FIRST USED	OLDSMOBILE PRODUCT INFORMATION MANUAL	MANUAL SEC.	PAGE
															CLUSTER BEZEL AND TRIM PAD ASSY	1969		1-3	121
					3-8-69	C	404568-ANTI-SQUEAK REMOVED	DR.	MMB						DATE DECEMBER 11, 1967				
					10-30-68	B	NOTE ADDED	DR.	MMB						DR. BY ED J. ROE				
					9-24-68	A	VIEW ADDED	DR.	MMB						CHECKED MMBarnhart				
															APPR. T. J. ...				
															APPR. SMC 1/23/68				
																REF.	SERIES B-C	PART NO.	401901



NOTE:
LUBRICATE ALL PIVOT PINS AND WASHERS
WITH 9985007 LUBRICANT

DATE	SYM	REVISION	DR.	CK.	DATE	SYM	REVISION	DR.	CK.	DATE	SYM	REVISION	DR.	CK.	DATE	SYM	REVISION	
					3-14-69	E	REVISED TO DETAIL											
					6-28-68	D	WAS BEZEL											
					5-29-68	C	WAS 9419663-SCREW											
					4-11-68	B ₂	2ND TYPE ADDED											
					4-10-68	A ₂	REVISED TO DETAIL											

TITLE		L.H. AND CENTER A/C OUTLETS		
DATE	JANUARY 8, 1968	FIRST USED	1969	
DR. BY	ED J. ROE	REF.	35C60	35C61
CHECKED	MYBarnhart	SERIES	B-C	
APPR.	Thompson	PART NO.	401901	
DR. CK.	SMC 1/29/68	MANUAL SEC.	1-3	
		PAGE	211	



NOTE:
LUBRICATE ALL PIVOT PINS
WITH 9985007 LUBRICANT

(G) MUST BE FULLY DRIVEN, SEATED AND NOT STRIPPED

DATE	SYM	REVISION	DR.	CK.	DATE	SYM	REVISION	DR.	CK.	DATE	SYM	REVISION	DR.	CK.	DATE	SYM	REVISION	DR.	CK.	APPR.	TITLE	FIRST USED	OLDSMOBILE PRODUCT INFORMATION MANUAL	MANUAL SEC.	PAGE	PART NO.
										8-15-68	E	WASHER REPOSITIONED	JR	MYB								R. H. A/C OUTLET AND ADAPTER ASSY				
										6-28-68	D	WAS BEZEL	JR	MYB								DATE JANUARY 8, 1968				
										5-29-68	C	WAS DUCT	JR	MYB								DR. BY ED J. ROE	1969		1-3	212
					4-2-69	G	WAS 9422207-SCREW	JR	MYB	5-29-68	B	WAS 9419663-SCREW	JR	MYB								CHECKED MYB/arnhart				
					10-24-68	F	528744 WASHER REMOVED	JR	MYB	4-10-68	A	REVISED TO DETAIL	JR	MYB								APPR. Tom/	REF. 35C60 35C61	SERIES B-C		401901



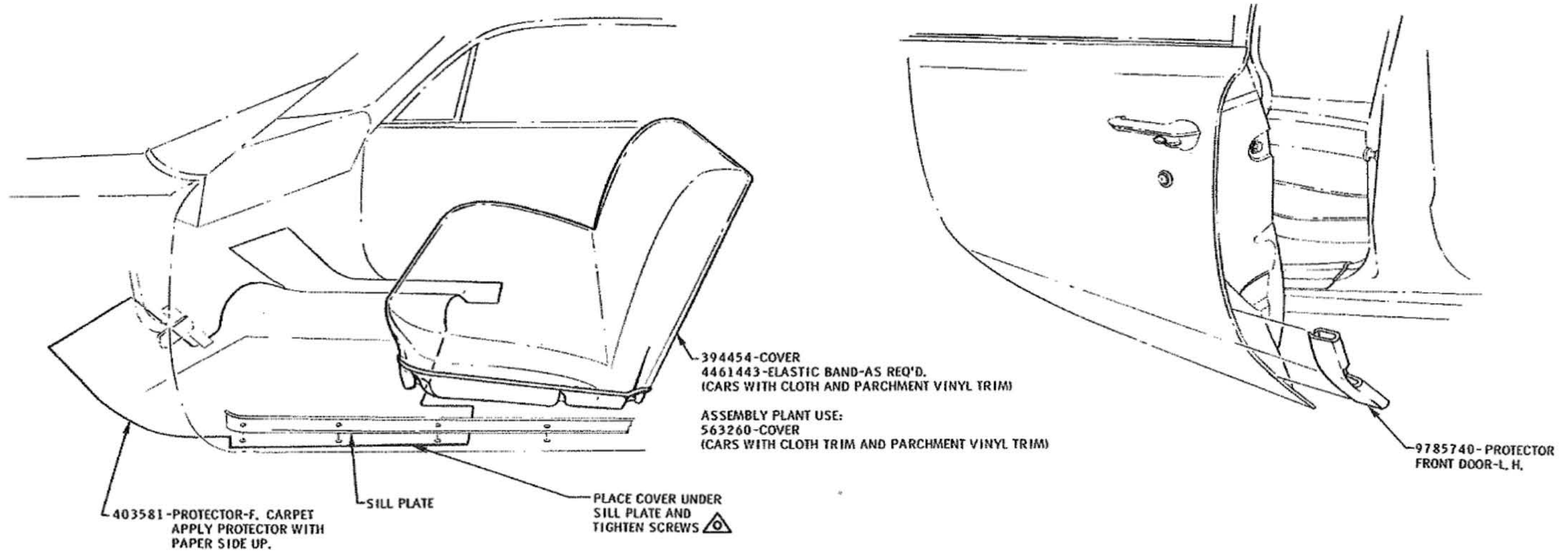
SECTION 1-4 MISCELLANEOUS BODY PARTS

- 110 MISCELLANEOUS PARTS
- 320 RADIO AFFECTED COMPONENTS
- 345 REAR WINDOW DEFOGGER
- 410 DOOR EDGE GUARDS

DATE 6-17-68

MANUAL NO. 401901

SERIES B-C



NOTE:
ON CARS WITH CONSOLE PLACE
PROTECTOR OVER CONSOLE.

ON MANUAL SHIFT CONSOLE CUT
PROTECTOR AS NECESSARY TO ALLOW
FREE MOVEMENT OF SHIFTING LEVER.

MUST BE FULLY DRIVEN, SEATED AND NOT STRIPPED

DATE	SYM	REVISION	DR.	CK.	DATE	SYM	REVISION	DR.	CK.	DATE	SYM	REVISION	DR.	CK.	DATE	SYM	REVISION	DR.	CK.	TITLE	FIRST USED	OLDSMOBILE PRODUCT INFORMATION MANUAL	MANUAL SEC.	PAGE
																				FRONT FLOOR, SEAT, AND DOOR EDGE PROTECTOR	1969		1-4	110
																					REF. 146	SERIES A-B-C	PART NO. 401900-1	
																					DR. BY B. PARKER			
																					APPR. <i>[Signature]</i>			
																					APPR. <i>[Signature]</i>			

SEE SECTION 12 FOR ROUTING TO FUSE PANEL

MIRROR SUPPORT WITH WIRE LEAD (FURNISHED AND INSTALLED BY FISHER BODY)

CONNECT WIRE FROM MIRROR SUPPORT INTO GROMMET IN TOP OF MIRROR.

911454-MIRROR & LAMP ASSEMBLY ATTACH MIRROR TO SUPPORT IN MANNER SHOWN IN FIGURE 1.

LIGHT SWITCH AT "OFF" POSITION

"ON" POSITION

MIRROR AND LIGHT ASSEMBLY

REFERENCE: UPPER ZONE OF ADJUSTMENT (INVERTED STUD)

MIRROR SUPPORT (FURNISHED AND INSTALLED BY FISHER BODY)

MIRROR INSTALLED (SIDE VIEW)

565842-SCREW

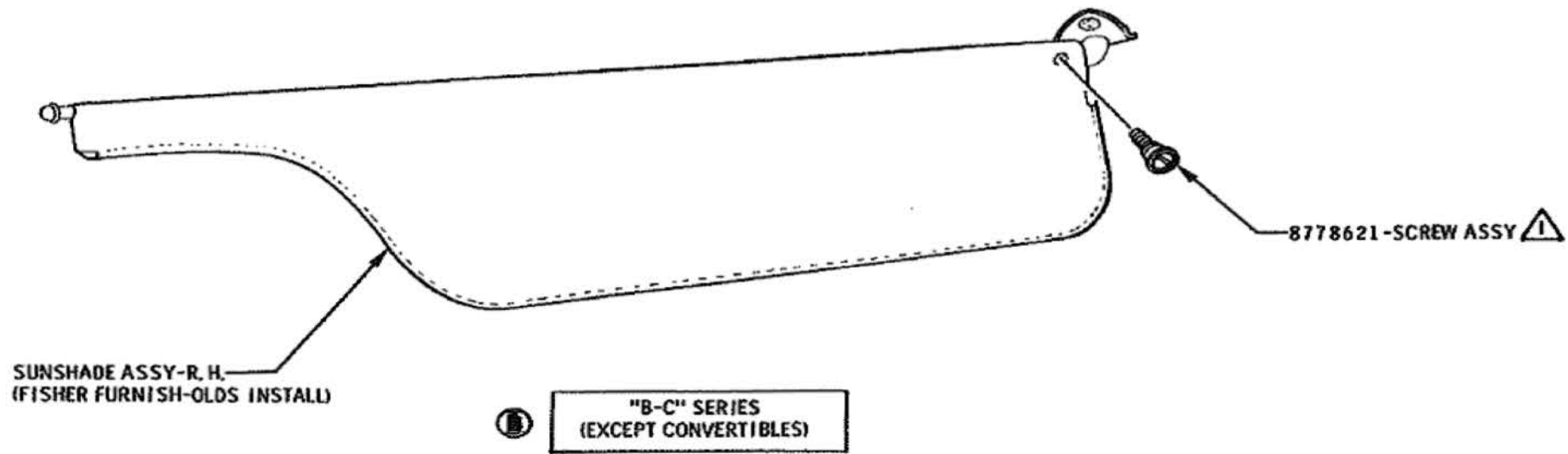
565801-BUSHING

916904-MIRROR ASSY

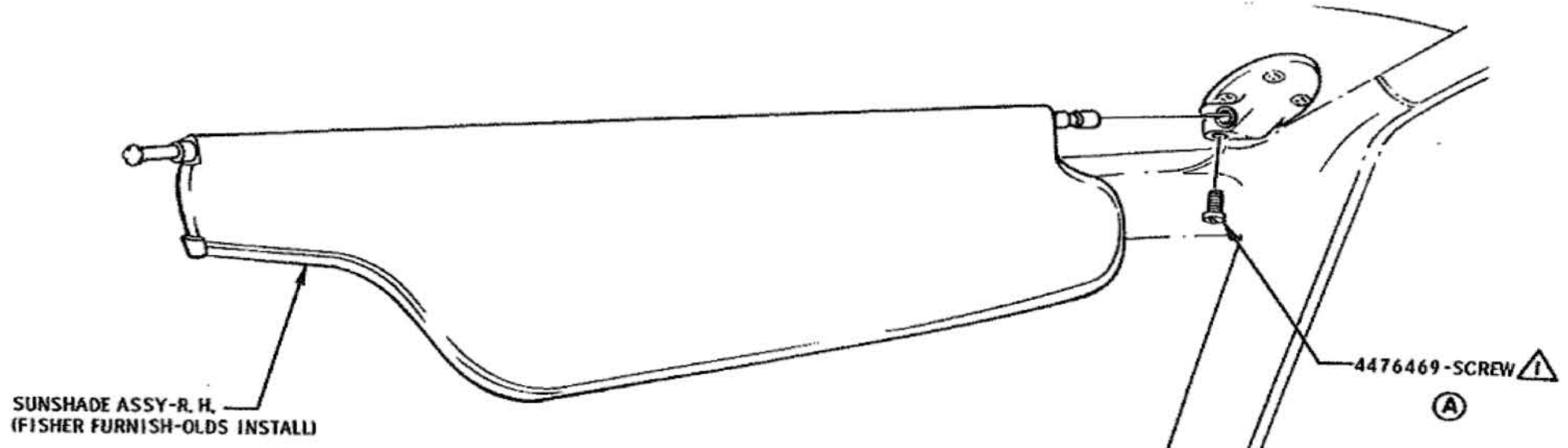
FIGURE 1

40 - 50 LB. IN.

DATE	SYM	REVISION	DR.	CK.	DATE	SYM	REVISION	DR.	CK.	DATE	SYM	REVISION	DR.	CK.	DATE	SYM	REVISION	DR.	CK.	TITLE	FIRST USED	OLDSMOBILE PRODUCT INFORMATION MANUAL	MANUAL SEC.	PAGE		
					11-18-68	E	WAS 910996-MIRROR	SP	DT												TITLE	INSIDE REAR VIEW MIRROR AND MIRROR AND LIGHT ASSEMBLY				
					6-10-68	D	WIRE CONNECTOR ADDED	SP	DT	DATE	DEC. 6, 1967										DATE	1969				
					5-29-68	C	TITLE REVISED	SP	DT	DR. BY	B. PARKER										CHECKED	T. J. ...	1-4	115		
					5-29-68	B	350(F) INFO. ADDED	SP	DT																	
					11-18-68	F	CONNECTOR REMOVED	SP	DT	4-19-68	A	TITLE REVISED	SP	DT	APPR.	J. ...					REF. 350(F)	1A26	SERIES	A-B-C-E	PART NO.	401900-1-2



① "B-C" SERIES
(EXCEPT CONVERTIBLES)

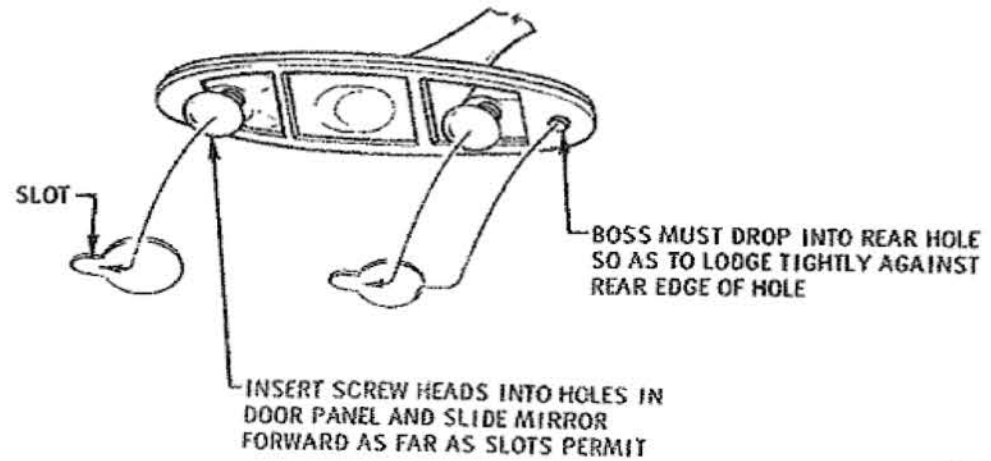


"A" AND "E" SERIES
AND "B-C" CONVERTIBLES

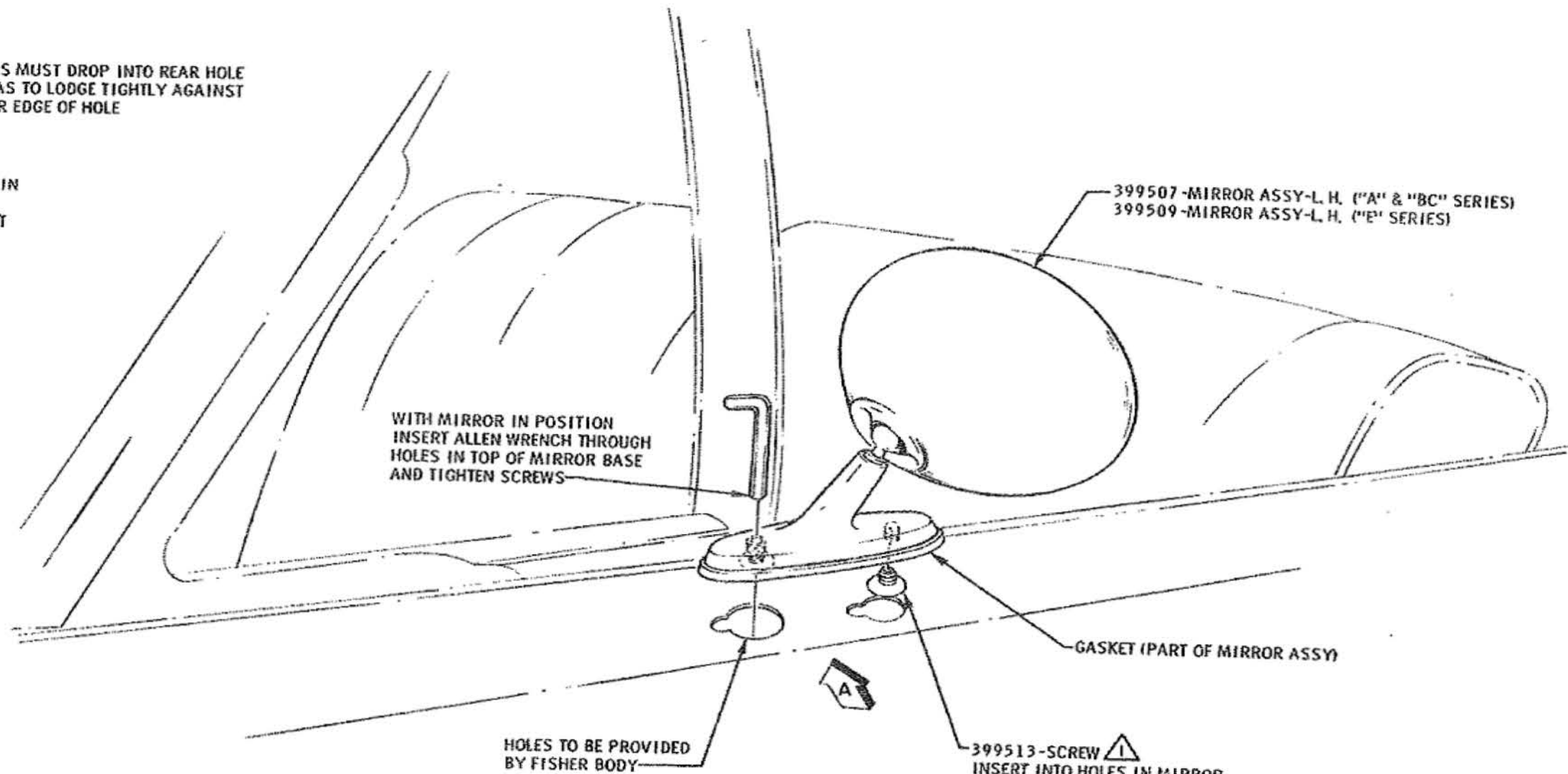
⚠ 15 - 20 LB. IN.

DATE	SYM	REVISION	DR.	CK.	DATE	SYM	REVISION	DR.	CK.	DATE	SYM	REVISION	DR.	CK.	TITLE	FIRST USED	OLDSMOBILE PRODUCT INFORMATION MANUAL	MANUAL SEC.	PAGE
															R. H. SUNSHADE	1969		1-4	116
					10-1-68	B	VIEW ADDED	Bp	DT										
					8-8-68	A	PART NO. & TORQUE REL.	Bp	DT										
															REF. 1A2E	SERIES A-B-C-E	PART NO. 401900-1-2		
															APPR. SWS 1/16/68				

FORWARD ON CAR



VIEW A

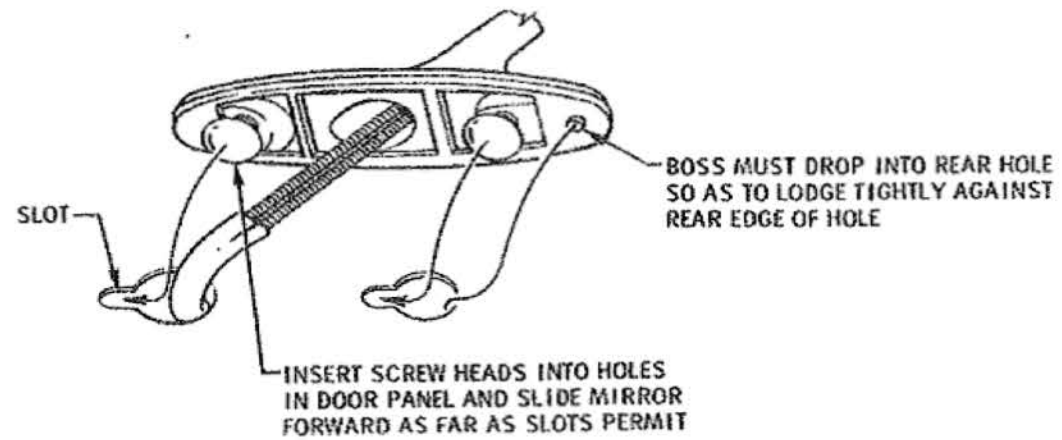


TYPICAL INSTALLATION
"A" SERIES SHOWN—"B-C" SERIES & "E" SERIES SIMILAR

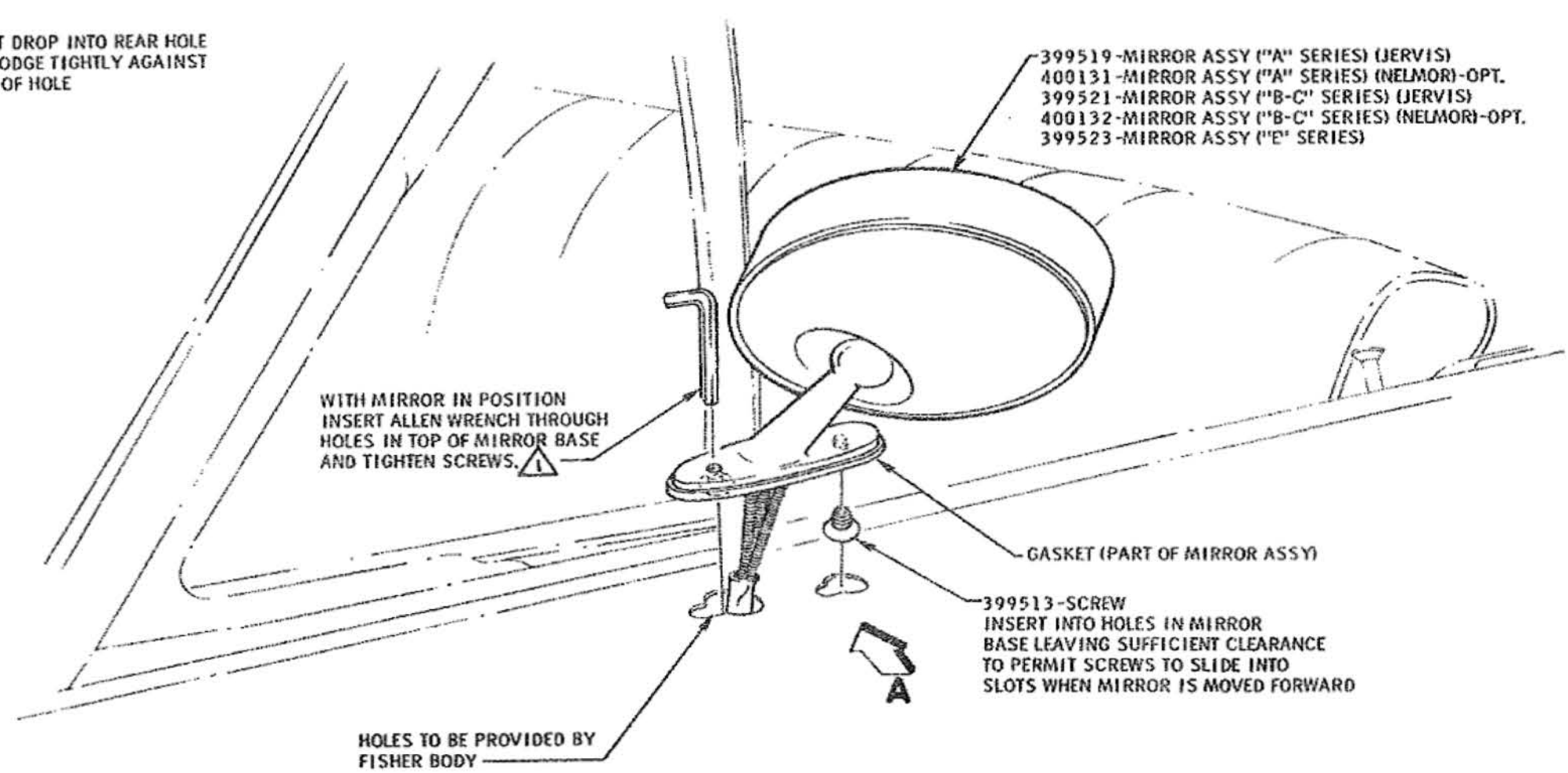
25 - 40 LB. IN.

										TITLE		OUTSIDE REAR VIEW MIRROR								
										DATE		FIRST USED								
										NOVEMBER 21, 1967		1969								
										DR. BY		OLDSMOBILE PRODUCT								
										B. PARKER		INFORMATION MANUAL								
										CHECKED		MANUAL SEC.								
												1-4								
										APPR.		PAGE								
												120								
DATE	SYM	REVISION	DR.	CK.	DATE	SYM	REVISION	DR.	CK.	DATE	SYM	REVISION	DR.	CK.	DATE	SYM	REVISION	DR.	CK.	APPR.
										REF.		SERIES		PART NO.						
										1A2E		A B-C E		401900-1-2						

FORWARD ON CAR



VIEW A



TYPICAL INSTALLATION
"A" SERIES SHOWN-"B-C" SERIES & "E" SERIES SIMILAR

25-40 LB. IN.

TITLE										REMOTE CONTROL MIRROR										
DATE	SYM	REVISION	DR.	CK.	DATE	SYM	REVISION	DR.	CK.	DATE	SYM	REVISION	DR.	CK.	DATE	SYM	REVISION	DR.	CK.	
DATE <i>DEC. 4, 1967</i>										FIRST USED		1969		OLDSMOBILE PRODUCT INFORMATION MANUAL		MANUAL SEC.		PAGE		
DR. BY <i>B. PARKER</i>										REF.		35033		SERIES		A-B-C-E		PART NO.		
CHECKED <i>J. J. [Signature]</i>										APPR.		<i>[Signature]</i>		401900-1-2						

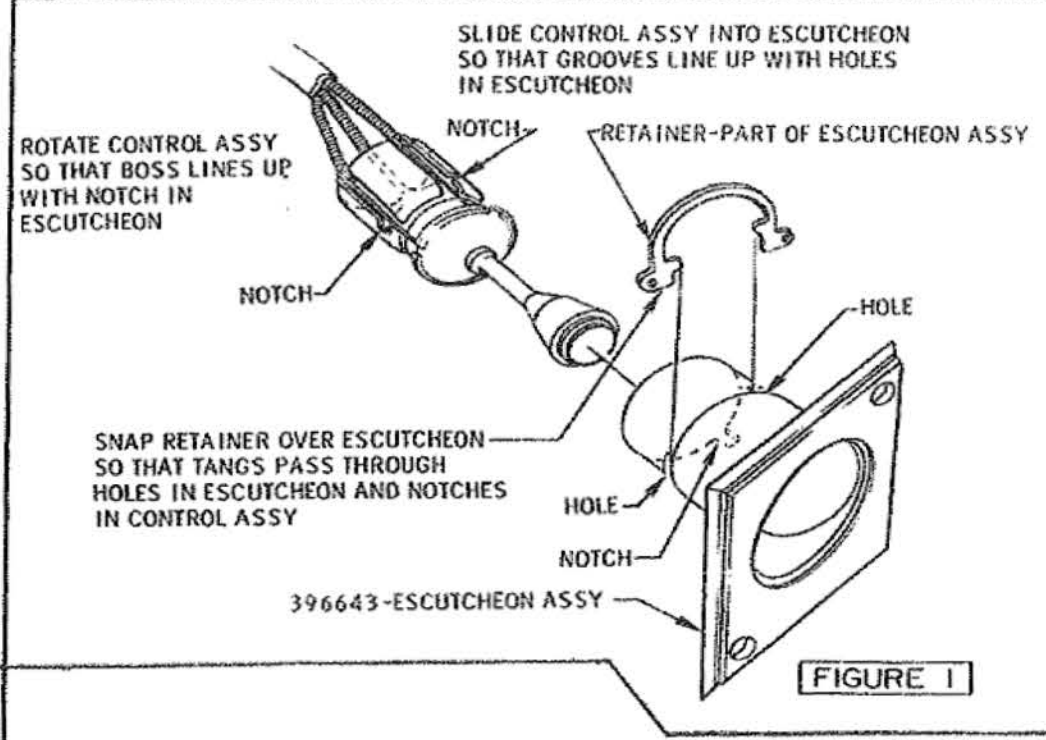


FIGURE 1

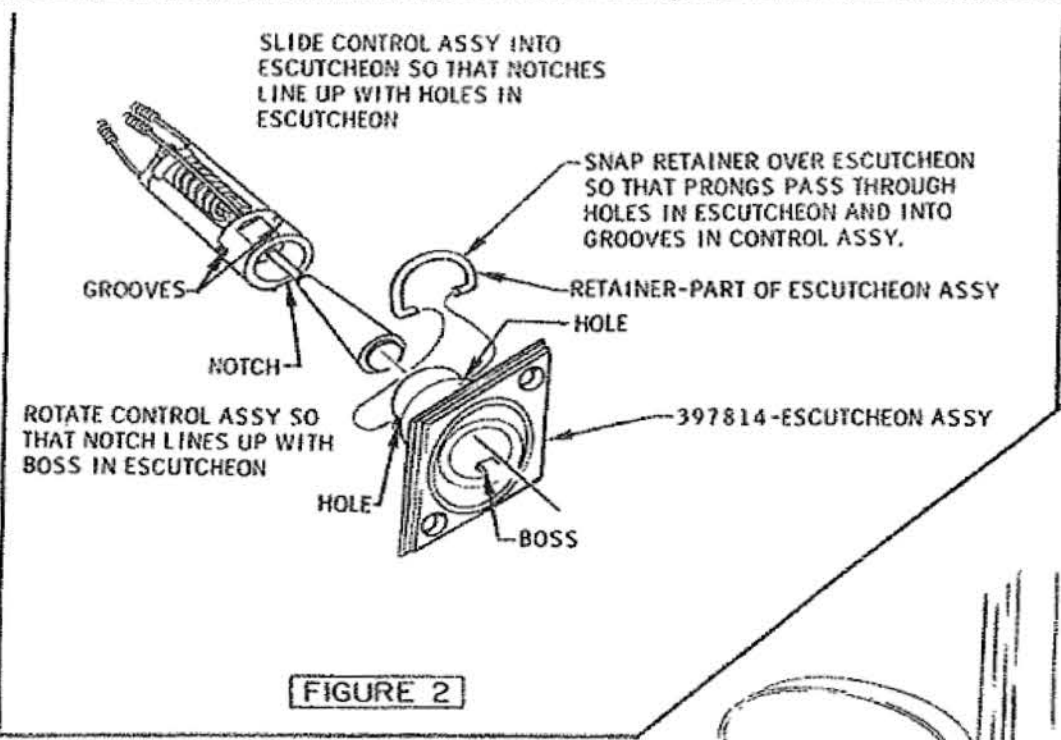
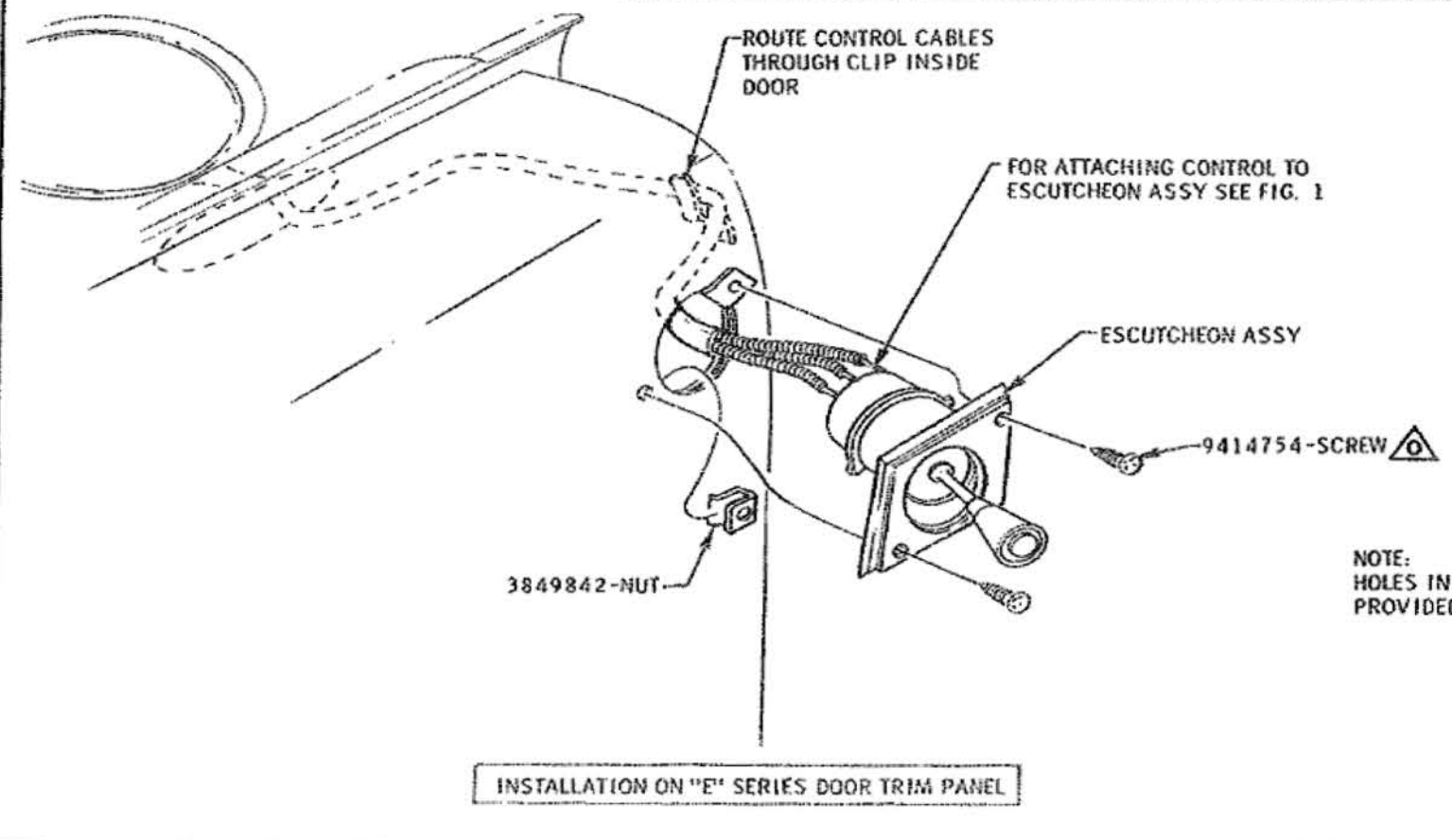
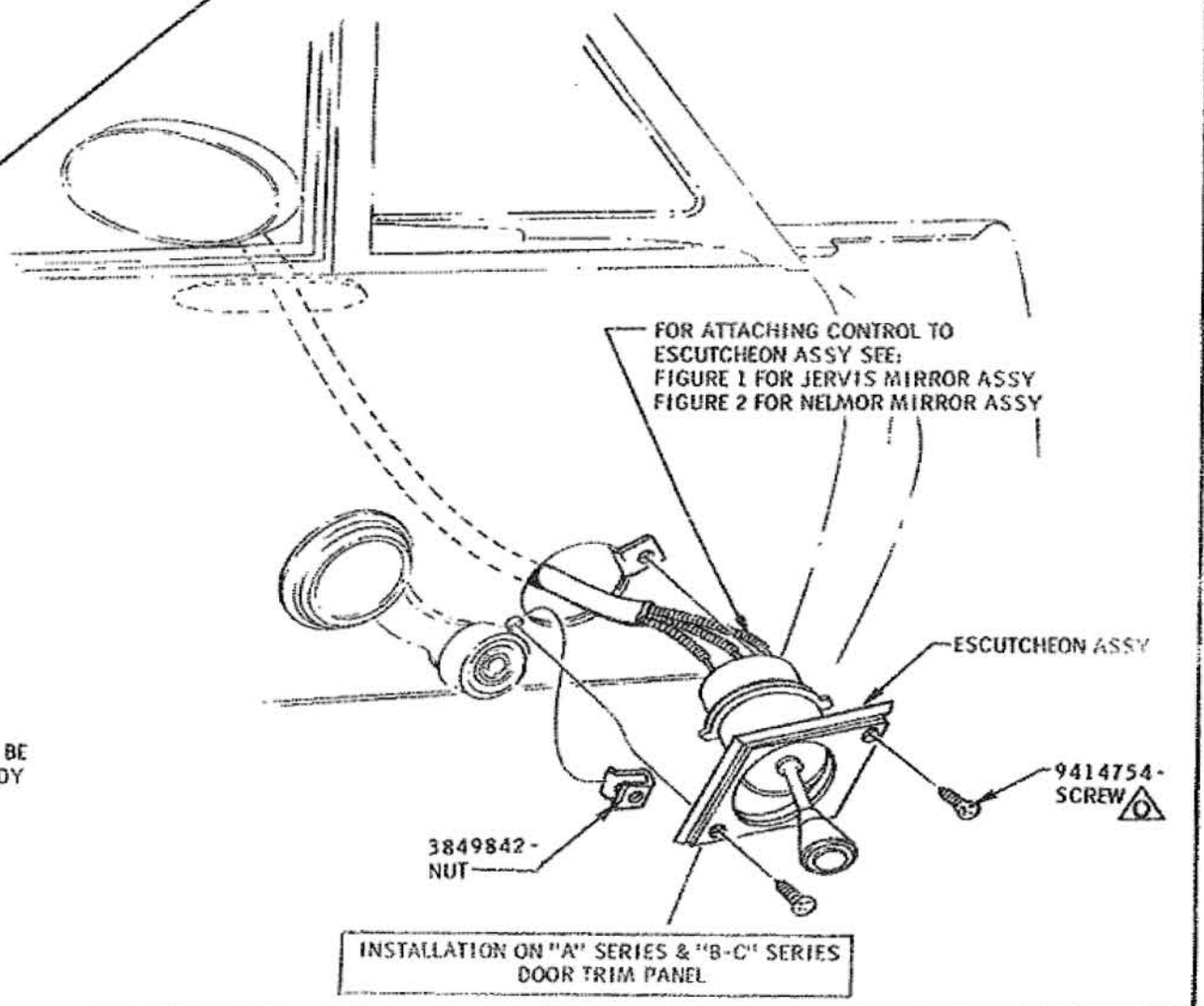


FIGURE 2

⚠ MUST BE FULLY DRIVEN, SEATED AND NOT STRIPPED.

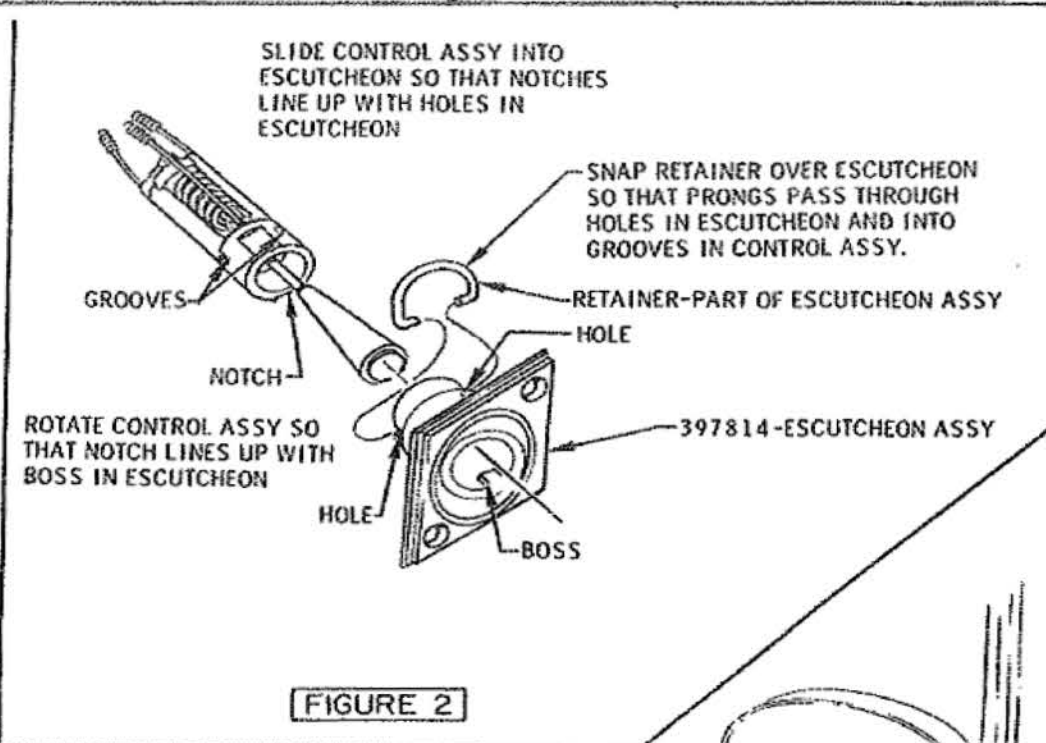
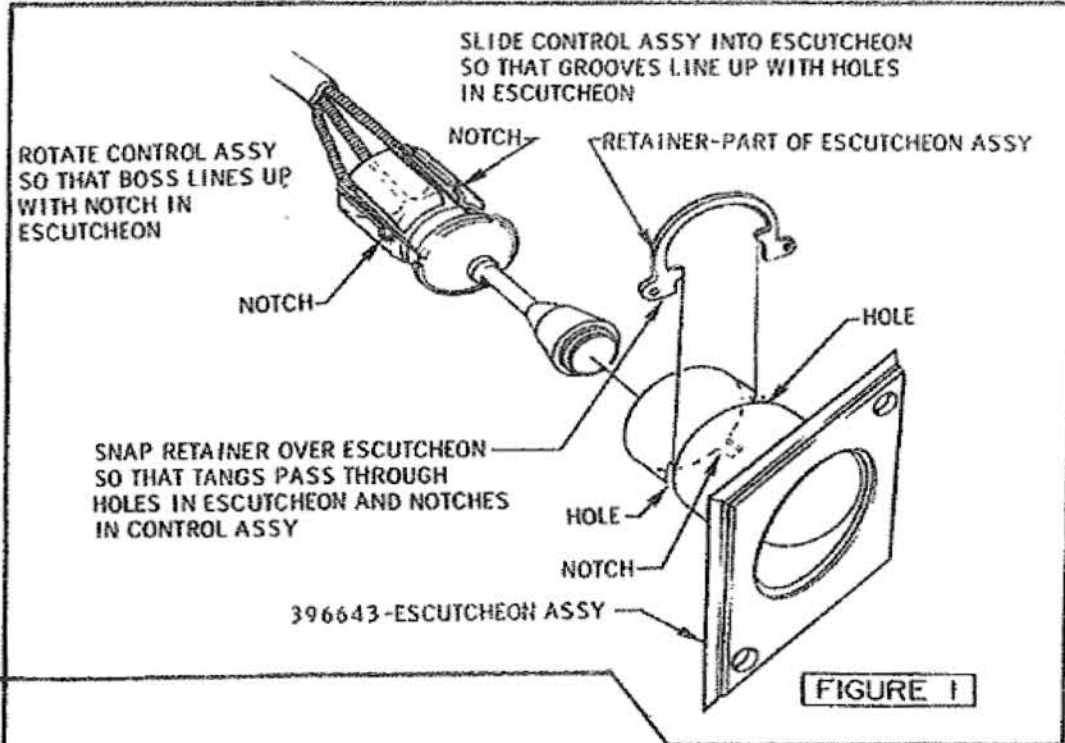


INSTALLATION ON "E" SERIES DOOR TRIM PANEL

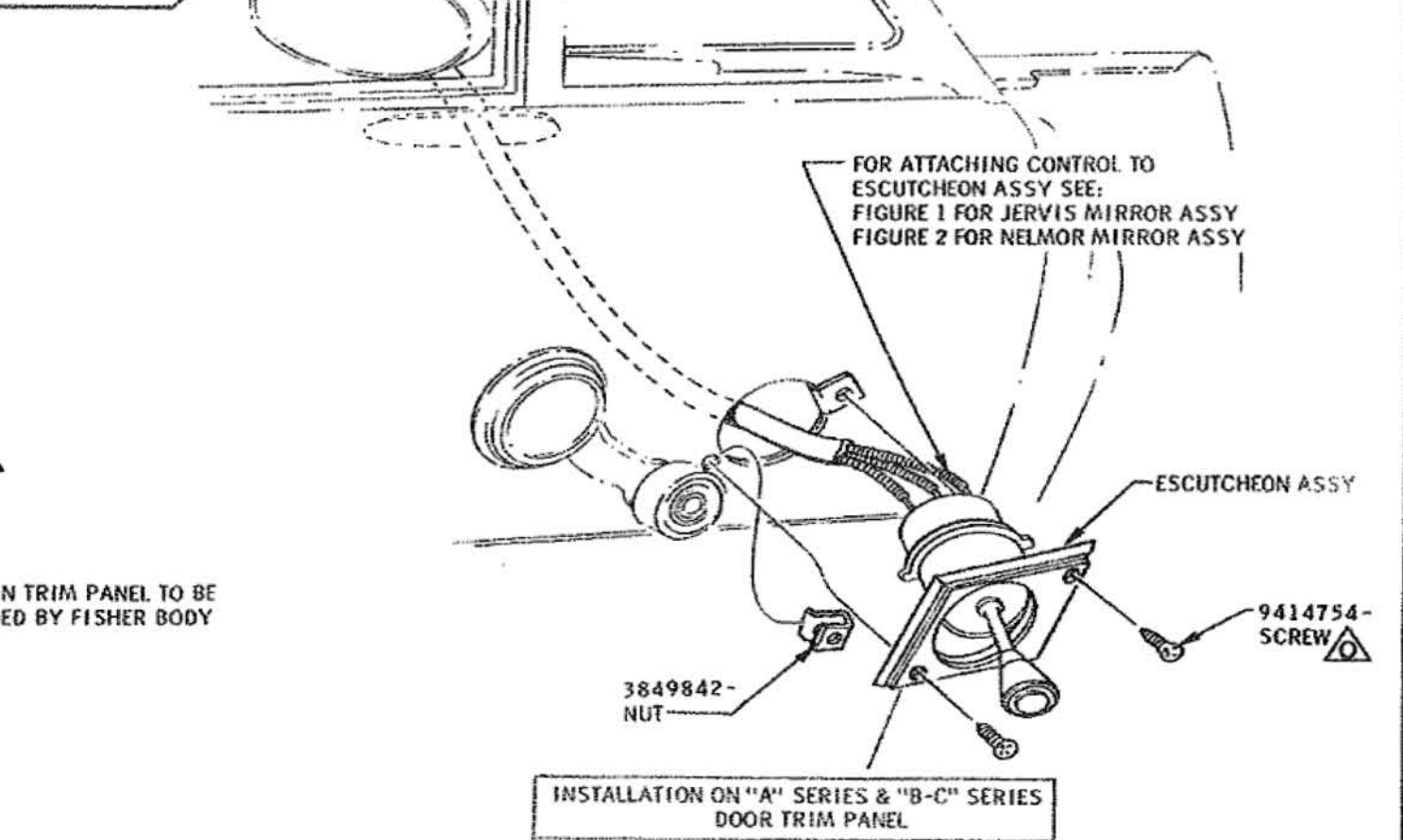
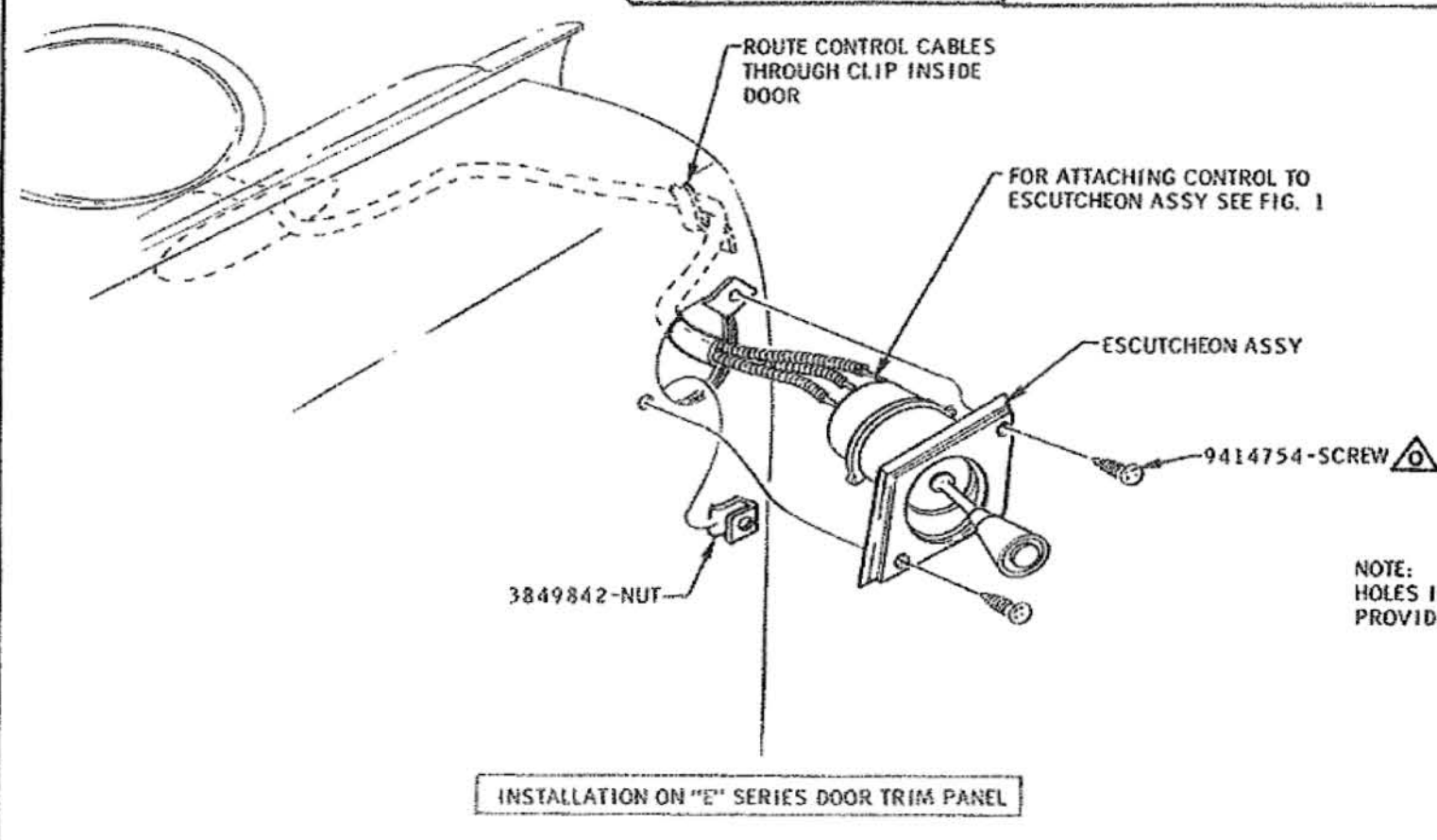


INSTALLATION ON "A" SERIES & "B-C" SERIES DOOR TRIM PANEL

REVISION										TITLE										
DATE	SYM	REVISION	DR.	CK.	DATE	SYM	REVISION	DR.	CK.	DATE	SYM	REVISION	DIV.	CK.	APPR.					
												REMOTE CONTROL MIRROR (INSIDE)								
												DATE	DEC. 4, 1967	FIRST USED	1969	OLDSMOBILE PRODUCT INFORMATION MANUAL	MANUAL SEC.	1-4	PAGE	122
												DR. BY	B. PARKER	REF.	35 D 33	SERIES	A-B-C-E	PART NO.	401900-1-2	
												CHECKED	T. J. H.							
												APPR.	J. H. H.							

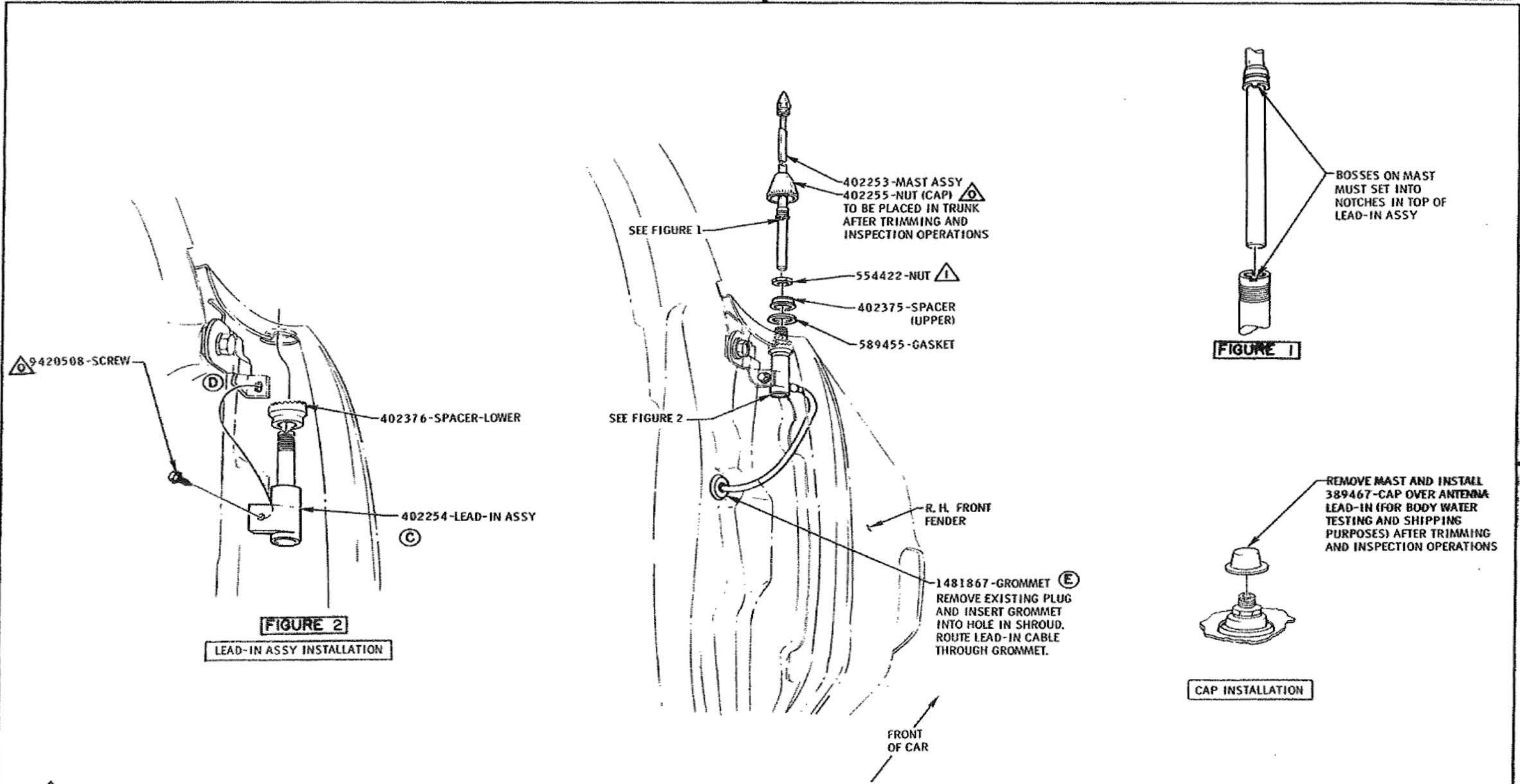


⚠ MUST BE FULLY DRIVEN, SEATED AND NOT STRIPPED.



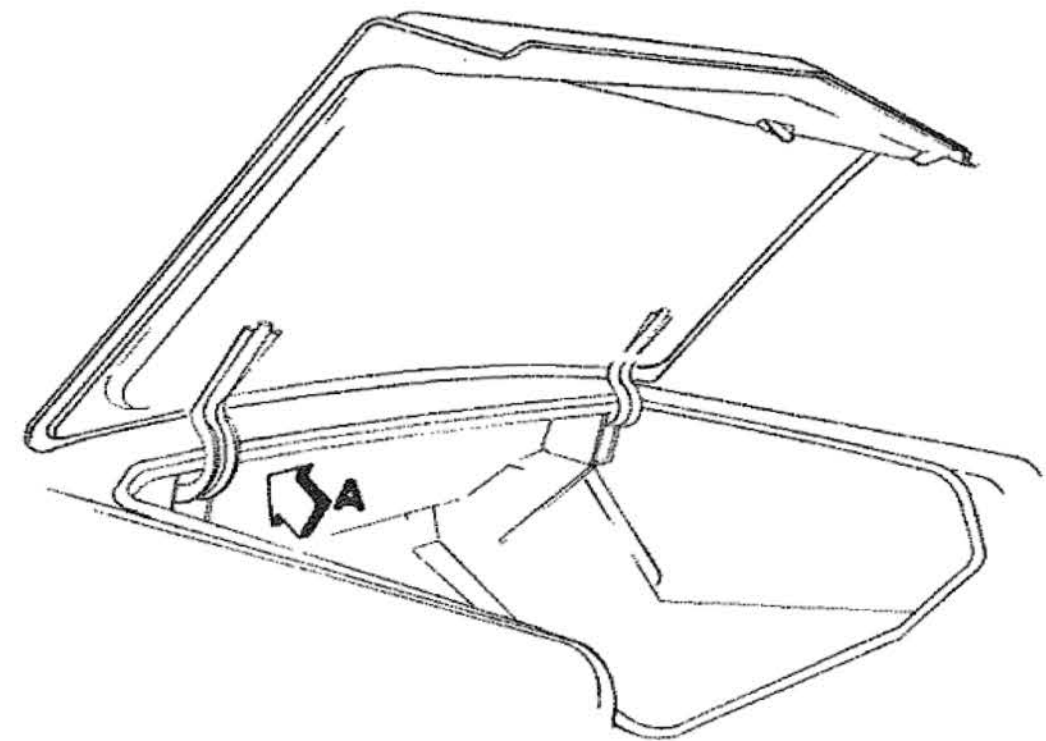
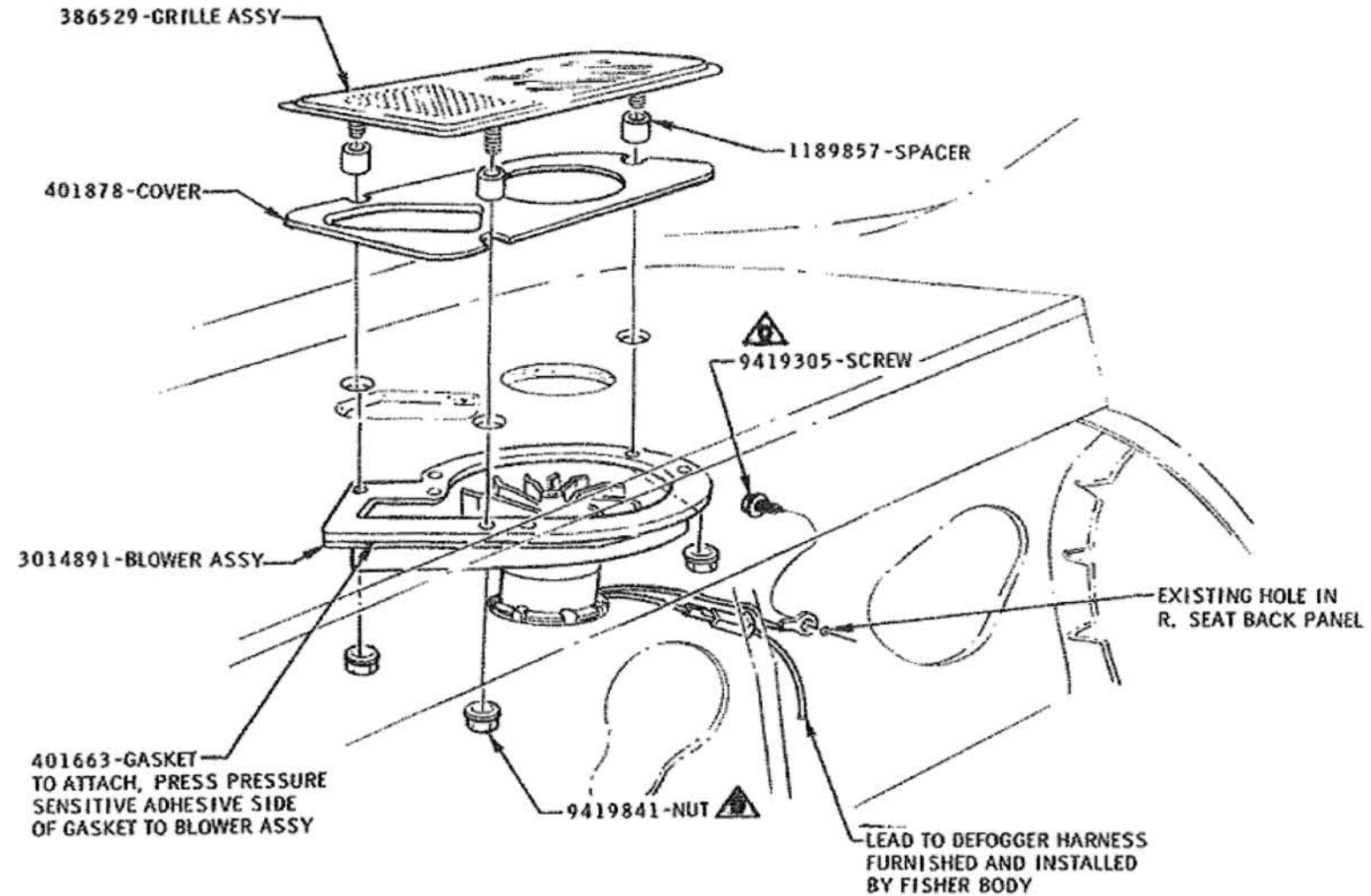
NOTE:
HOLES IN TRIM PANEL TO BE PROVIDED BY FISHER BODY

												TITLE				REMOTE CONTROL MIRROR (INSIDE)									
												DATE		DEC. 2, 1967		FIRST USED		1969		OLDSMOBILE PRODUCT		MANUAL SEC.		PAGE	
												DR. BY		B. PARKER		CHECKED		TJH		INFORMATION MANUAL		1-4		122	
												APPN.		35033		SERIES		A-B-C-E		PART NO.		401900-1-2			
DATE	SYM	REVISION	DR.	CK.	DATE	SYM	REVISION	DR.	CK.	DATE	SYM	REVISION	DR.	CK.	DATE	SYM	REVISION	DR.	CK.	DATE	SYM				



1 72 - 96 LB. IN.
2 MUST BE FULLY DRIVEN, SEATED BUT NOT STRIPPED

DATE	SYM	REVISION	DR.	CK.	DATE	SYM	REVISION	DR.	CK.	DATE	SYM	REVISION	DR.	CK.	TITLE	MANUAL SEC.	PAGE
					9-9-68	E	1481867-GROM ADDED-NOTE REV	BP	DT						TITLE		
					9-9-68	D	LEAD-IN TO BRKT REVISED	BP	DT						MANUAL ANTENNA (R. H. FRONT FENDER)		
					9-9-68	C	WA404170-LEAD-IN ASSY	BP	DT						DATE MAR. 23, 1968	FIRST USED	OLDSMOBILE PRODUCT
					6-10-68	B	WAS 402254-LEAD-IN ASSY	BP	DT						DR. BY B. PARKER	1969	INFORMATION MANUAL
					6-10-68	A	LEAD-IN ROUTING REV	BP	DT						CHECKED	REF.	MANUAL SEC.
															APPR.	35068-59-	1-4
																63	320
															APPR. [Signature]	SERIES	PART NO.
																B-C	401901



NOTE:
BEFORE ASSEMBLING BLOWER TO SHELF
MAKE SURE MOUNTING AREA IS FREE OF
OBSTRUCTION. FLATTEN OR TRIM ANY
PROTRUDING FLANGES.

VIEW A
DEFOGGER INSTALLATION
TO PACKAGE SHELF

MUST BE FULLY DRIVEN, SEATED BUT NOT STRIPPED

DATE	SYM	REVISION	DR.	CK.	DATE	SYM	REVISION	DR.	CK.	DATE	SYM	REVISION	DR.	CK.	TITLE	FIRST USED	OLDSMOBILE PRODUCT INFORMATION MANUAL	MANUAL SEC.	PAGE
															REAR WINDOW DEFOGGER	1969		1-4	345
															DR. BY B. PARKER	REF. 35050	SERIES B-C	PART NO. 401901	
															CHECKED JDM				
															APPR. SCHOTTENBERG				
															APPR. JWC 3/23/68				

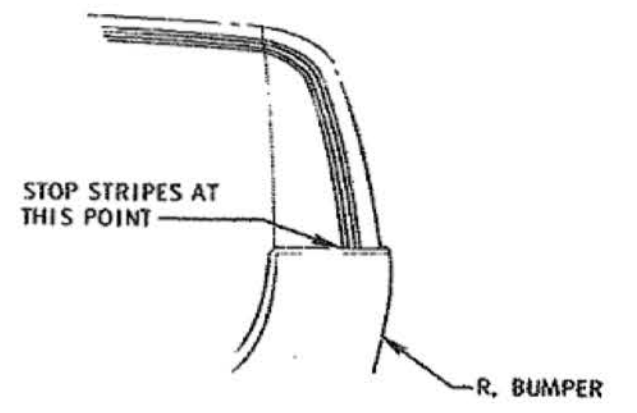
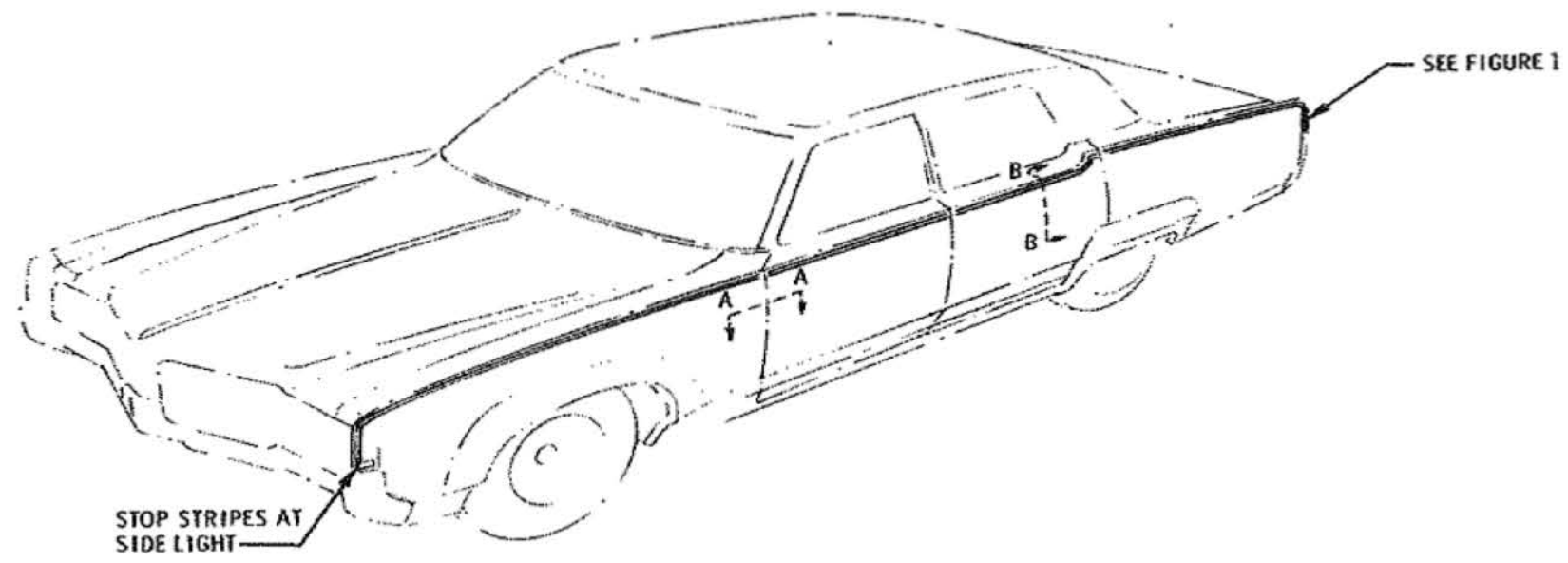
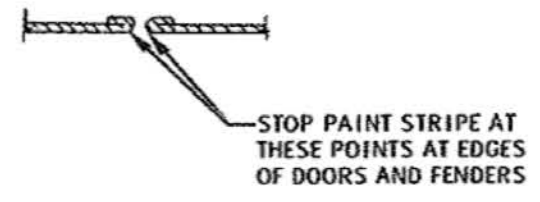
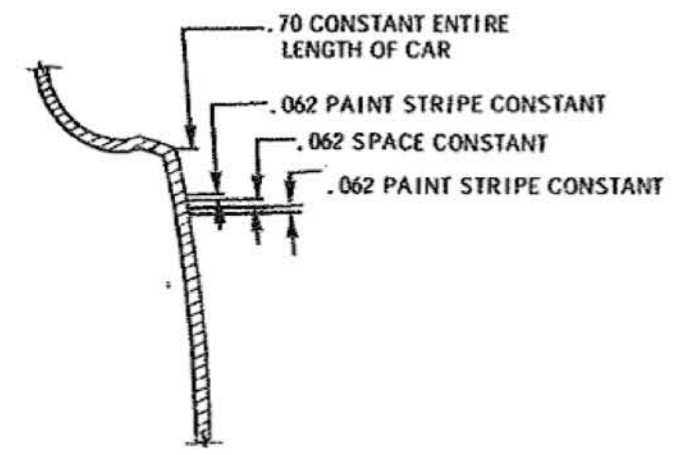


FIGURE 1



SECTION "A-A" (TYPICAL)

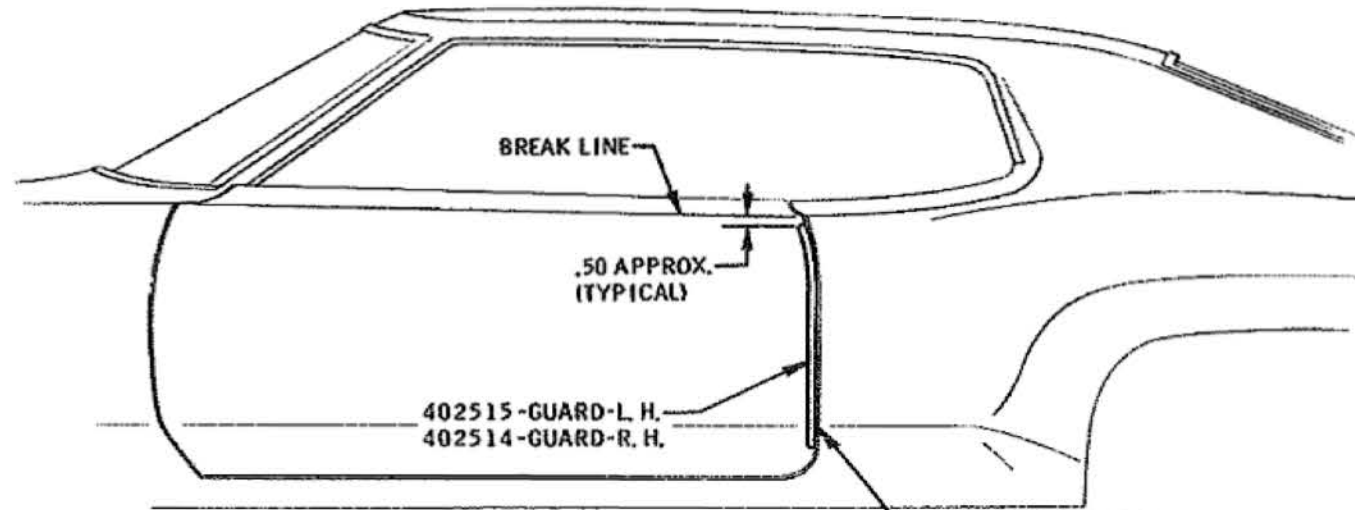


SECTION "B-B"

NOTE: SEE CHART IN SECTION O-PAGE 109 FOR PAINT STRIPE USAGE.

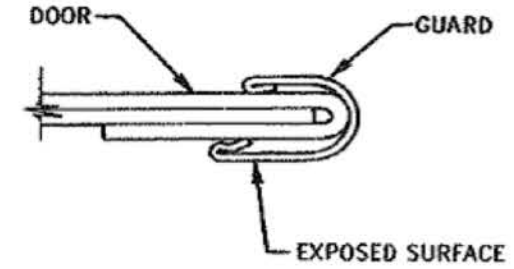
BODY PAINT STRIPES (REF) LAYOUT NO. 402708

DATE	SYM	REVISION	DR.	CK.	DATE	SYM	REVISION	DR.	CK.	DATE	SYM	REVISION	DR.	CK.	APPR.	TITLE	FIRST USED	OLDSMOBILE PRODUCT INFORMATION MANUAL	MANUAL SEC.	PAGE
																BODY PAINT STRIPE	1969	1-4	401	
																	0	B-C	401901	



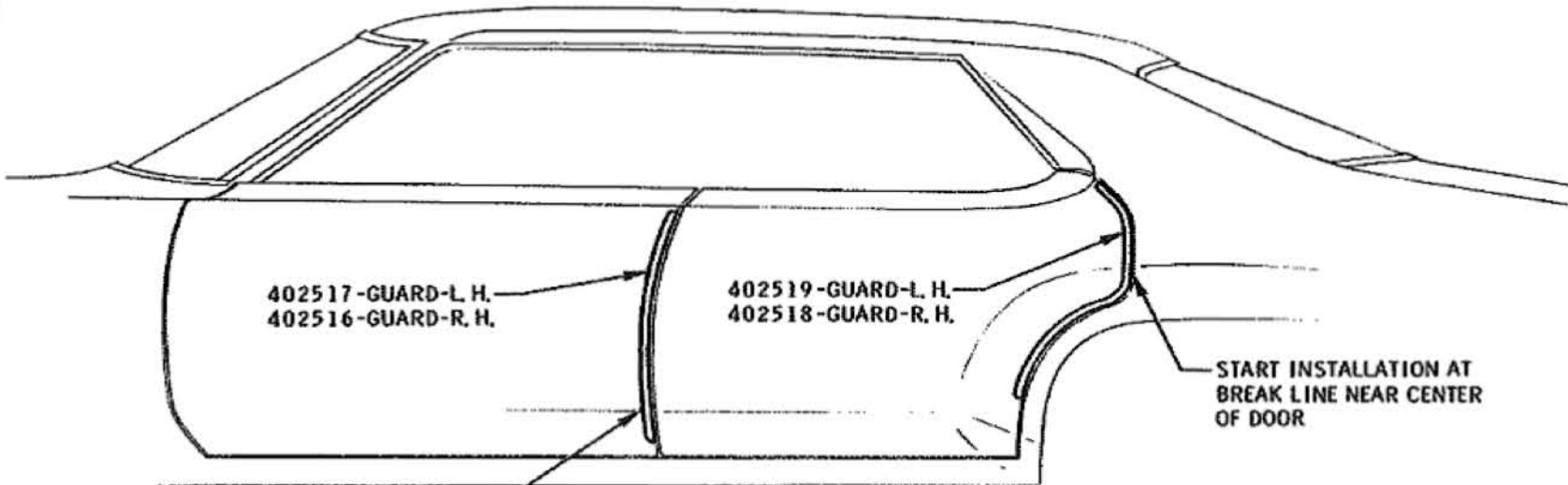
**DOOR EDGE GUARD
ALL 2 DOOR MODELS**

(A) START INSTALLATION AT BREAK LINE NEAR BOTTOM OF DOOR
CRIMPING MANDATORY ONE PLACE WITHIN 3" OF BOTTOM OF GUARD (ON INSIDE SURFACE)



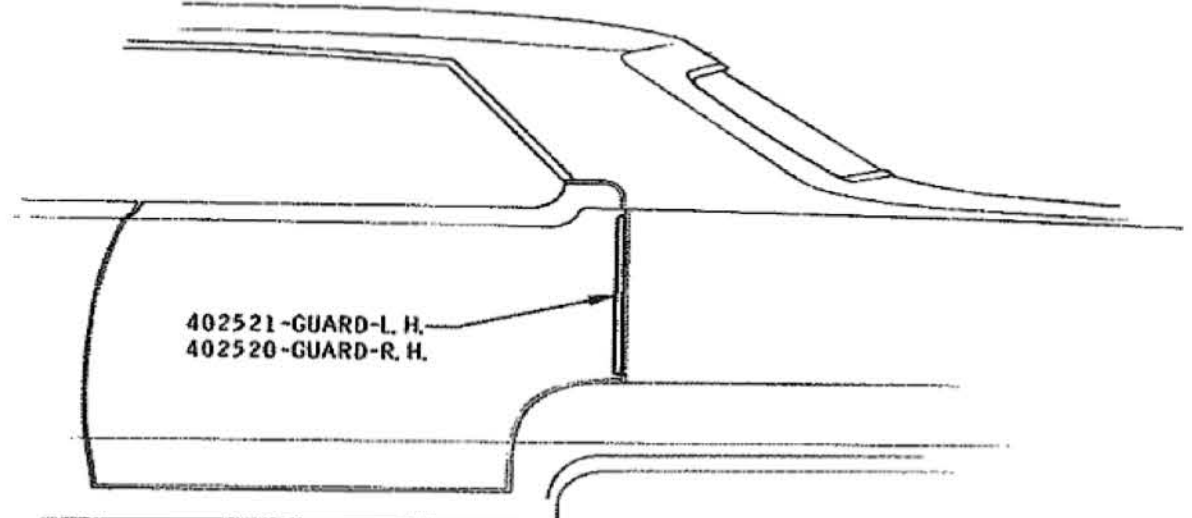
**TYPICAL SECTION
THRU DOOR GUARD**

(A) NOTE:
LOCAL CRIMPING IS PERMISSIBLE IF NECESSARY TO SECURE TIGHT FIT.



**DOOR EDGE GUARD
ALL 4 DOOR MODELS
(EXC. 84-8600 REAR DOOR)**

(A) START INSTALLATION AT BREAK LINE NEAR BOTTOM OF DOOR
CRIMPING MANDATORY ONE PLACE WITHIN 3" OF BOTTOM OF GUARD FRONT DOORS ONLY (ON INSIDE SURFACE)



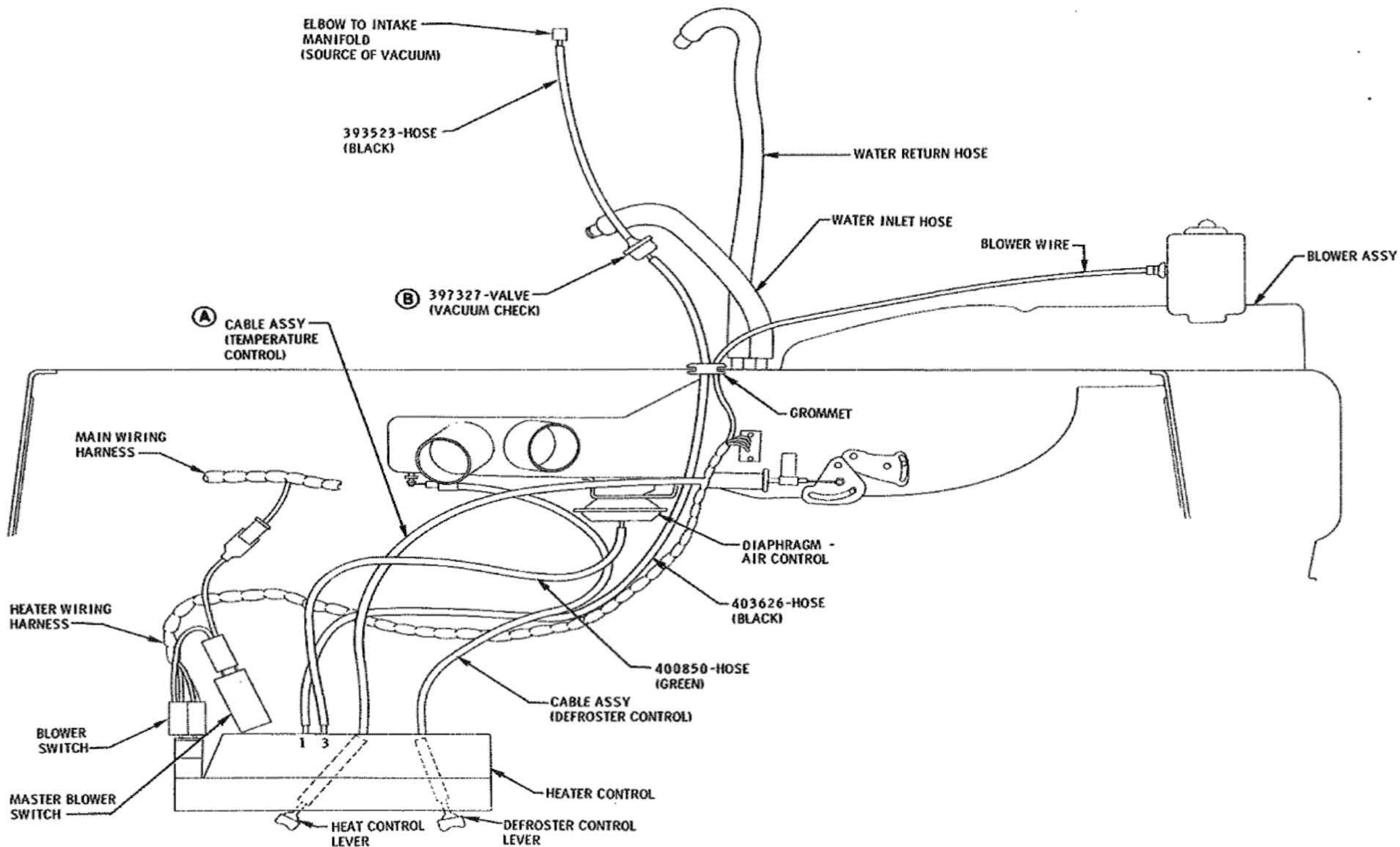
**REAR DOOR GUARD
(84-8600 ONLY)**

DOOR EDGE GUARDS											
DATE <i>MAR 5 1968</i>						FIRST USED		OLDSMOBILE PRODUCT		MANUAL SEC. PAGE	
DR. BY <i>D. H. MERRILL</i>						1969		INFORMATION MANUAL		1-4 410	
CHECKED <i>T. J. ...</i>						REF. <i>...</i>		SERIES		PART NO.	
APPR. <i>T. J. ...</i>								B-C		401901	
9-30-68 A ₃ NOTES REVISED											
DATE	SYM	REVISION	DR. CK.	DATE	SYM	REVISION	DR. CK.	DATE	SYM	REVISION	DR. CK.



SECTION 1-5 HOSE AND CABLE

115	HEATER HOSES AND CABLE
119	SPEEDOMETER CABLE
120	WINDSHIELD WASHER HOSES
212	AIR CONDITIONING HOSES AND CLAMPS
350	35K30 HOSES AND CABLES
370	35A91 & A93 VACUUM HOSES



										TITLE 1A2C VACUUM HOSE AND CABLE CONTROL ROUTING DIAGRAM					
					DATE	11-5-68		FIRST USED	1969		OLDSMOBILE PRODUCT	MANUAL SEC.	PAGE		
					DR. BY	B. PARKER				INFORMATION MANUAL	1-5	115			
					CHECKED	J. J. J.		REF.	1A2C		SERIES	PART NO.			
					APPR.	H. SINDTNER				B-C	401901				
DATE	SYM	REVISION	DR.	CK.	DATE	SYM	REVISION	DR.	CK.	DATE	SYM	REVISION	DR.	CK.	APPR.
					11-5-68	B	WAS 397327-VALVE	BP	DT						
					6-27-68	A	CABLE REROUTED	DT	DT						

SEE HEATER SCHEMATIC FOR HOSE IDENTIFICATIONS

ROUTE TEMPERATURE CONTROL CABLE IN FRONT OF DUCTS AND BEHIND DIAPHRAGM.

D ROUTE HOSES AND CABLES BETWEEN SUPPORT AND TUBULAR BRACES

ROUTE VACUUM FEED HOSE THROUGH GROMMET IN DASH PANEL

ROUTE HOSES OVER R. H. DEFROSTER HOSE

SEE FIGURE 1

SEE FIGURE 3

SEE FIGURE 2

EXISTING MAIN WIRING HARNESS

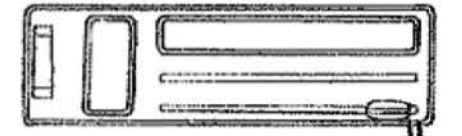
HEATER

HEATER WIRING HARNESS SEE SEC. 12 FOR ROUTING

SECURE HOSES TO MAIN WIRING HARNESS WITH EXISTING STRAP.

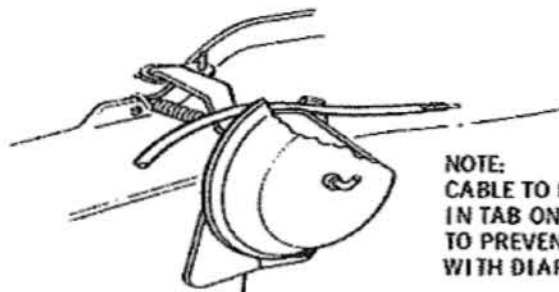
HEATER CONTROL

HOSE AND CABLE ROUTING FOR HEATER



ADJUST TEMPERATURE CABLE TO OBTAIN 1/8" SPRINGBACK

CONTROL LEVER SPRINGBACK



NOTE: CABLE TO BE PLACED IN TAB ON BRACKET TO PREVENT CONTACT WITH DIAPHRAGM LEVER.

FIGURE 3

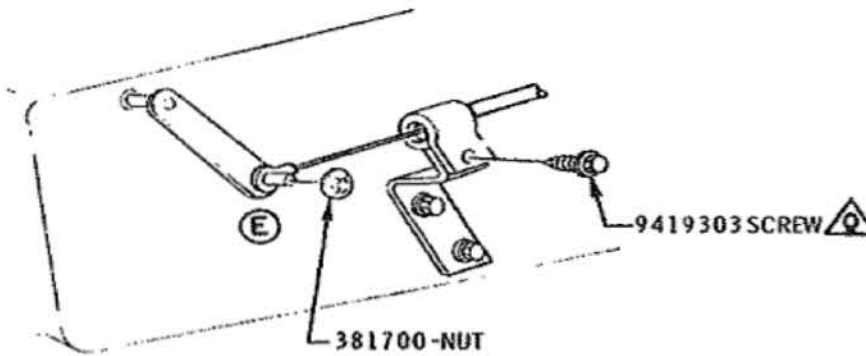


FIGURE 2

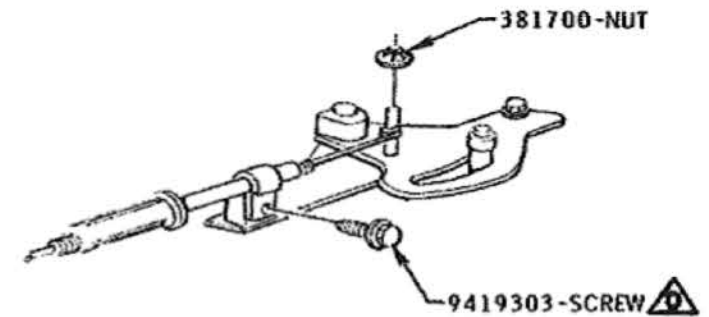


FIGURE 1

MUST BE FULLY DRIVEN, SEATED AND NOT STRIPPED

DATE	SYM	REVISION	DR.	CK.	DATE	SYM	REVISION	DR.	CK.	DATE	SYM	REVISION	DR.	CK.	DATE	SYM	REVISION	DR.	CK.	TITLE	FIRST USED	OLDSMOBILE PRODUCT INFORMATION MANUAL	MANUAL SEC.	PAGE	REF.	SERIES	PART NO.
					11-5-68	E	CABLE END REVISED	BP	DT												1A2C VACUUM HOSE AND CABLE ROUTING	1969	1-5	116	1A2C	B-C	401901
					9-30-68	D	NOTE ADDED	BP	DT												DATE MAY 1 1969						
					9-18-68	C	VIEW REVISED	BP	DT												DR. BY B. PARKER						
					9-6-68	B	VIEW ADDED	BP	DT												CHECKED J. J. J.						
					6-3-68	A	ROUTING REVISED-VIEW ADDED	BP	DT												APPR. H. SCHULTENBERG						
																					APPR. 5/2/68						

(E) SEE PAGE 105 FOR HEATER HOSE CONNECTIONS TO HEATER

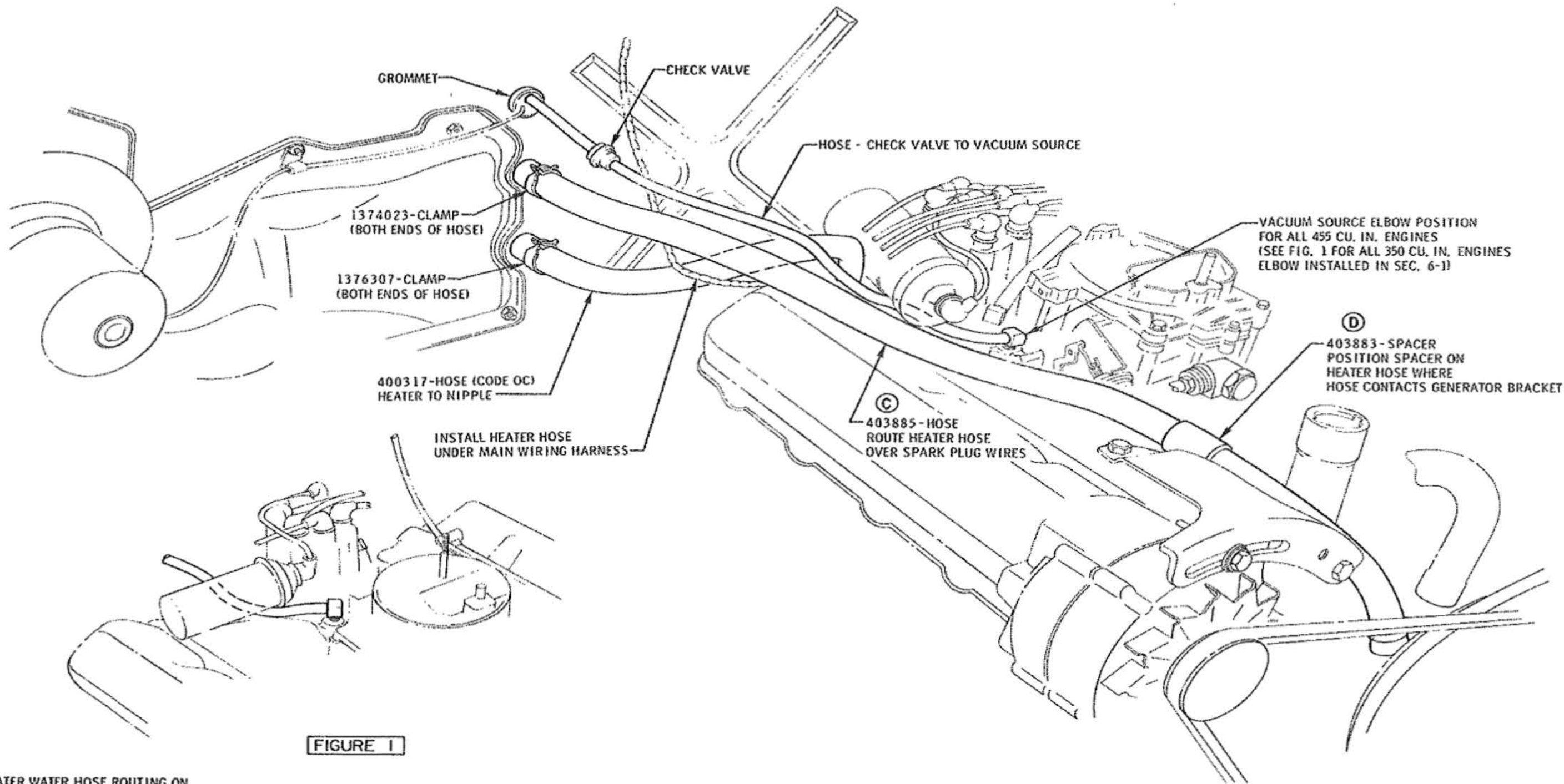
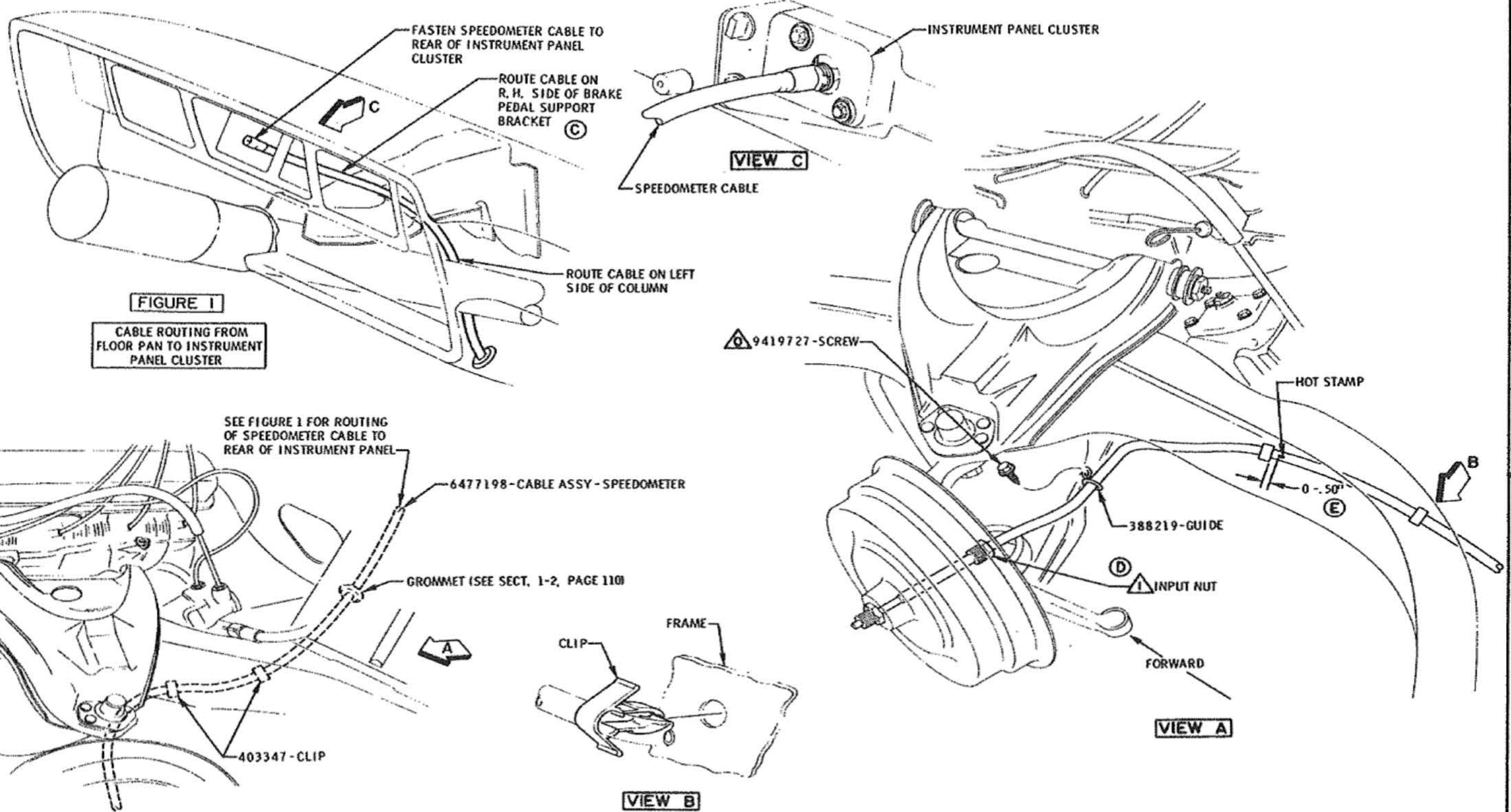


FIGURE 1

FOR HEATER WATER HOSE ROUTING ON CARS WITH AIR CONDITIONING, SEE PAGE 215

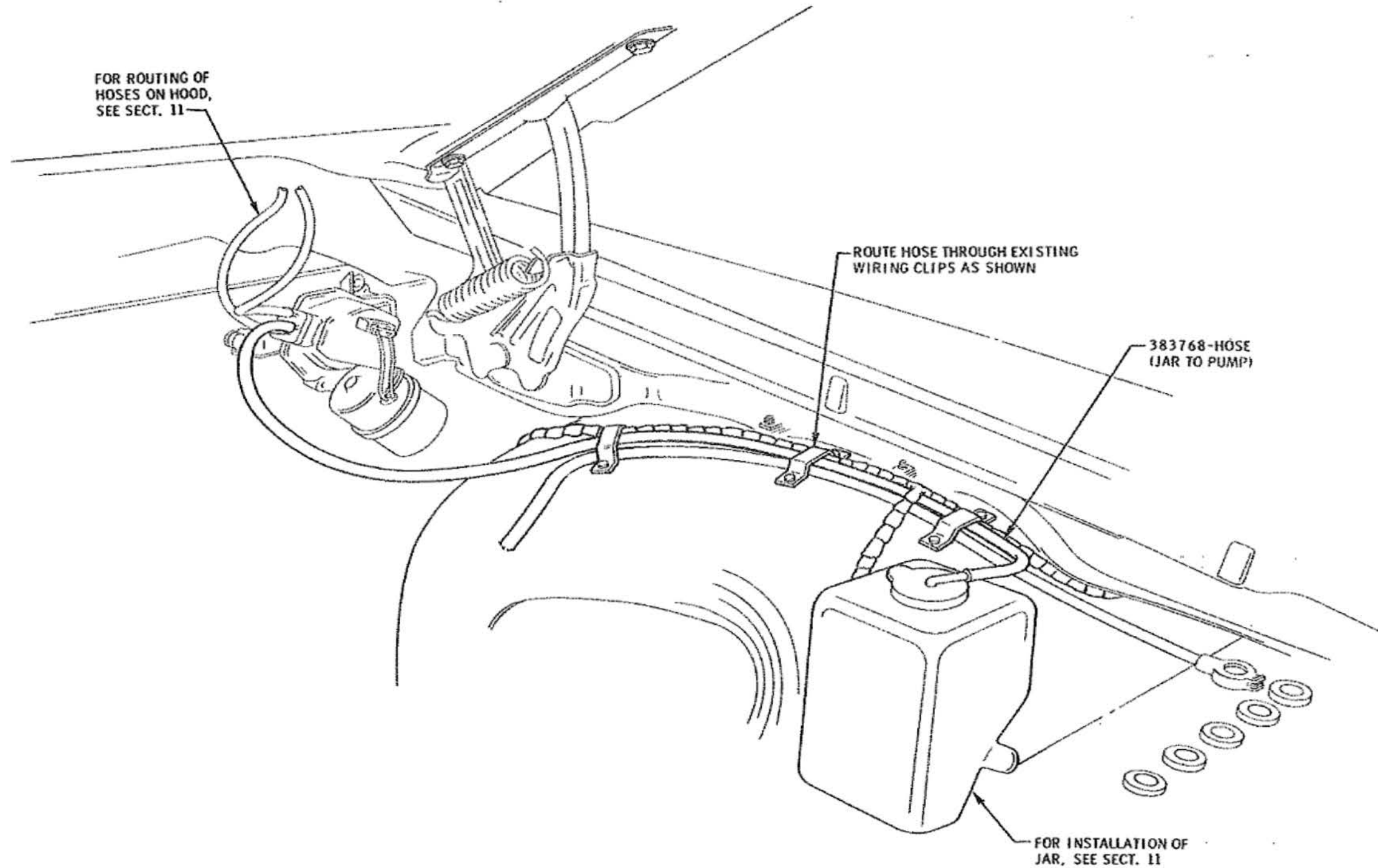
DATE	SYM	REVISION	DR.	CK.	DATE	SYM	REVISION	DR.	CK.	DATE	SYM	REVISION	DR.	CK.	TITLE	FIRST USED	OLDSMOBILE PRODUCT INFORMATION MANUAL	MANUAL SEC.	PAGE
					6-19-68	F	NOTE ADDED	J13	DT						1A2C HEATER WATER & VACUUM HOSES				
					4-17-68	D	403883 SPACER ADDED	J13	DT						DATE JAN. 8, 1967	1969		1-5	117
					4-17-68	C	WAS 408639 HOSE	J13	DT						DR. BY BOYER				
					3-19-68	B2	WASHER & CLIP REMOVED	J13	DT						CHECKED <i>[Signature]</i>				
					3-19-68	A	WAS 401653 HOSE	J13	DT						APPR. <i>H. SCHITTENBERG</i>				
															APPR. <i>Stu</i> 2/1/68	REF. 1A2C	SERIES B-C	PART NO. 401901	



CABLE ROUTING IN ENGINE COMPARTMENT AND THRU DASH

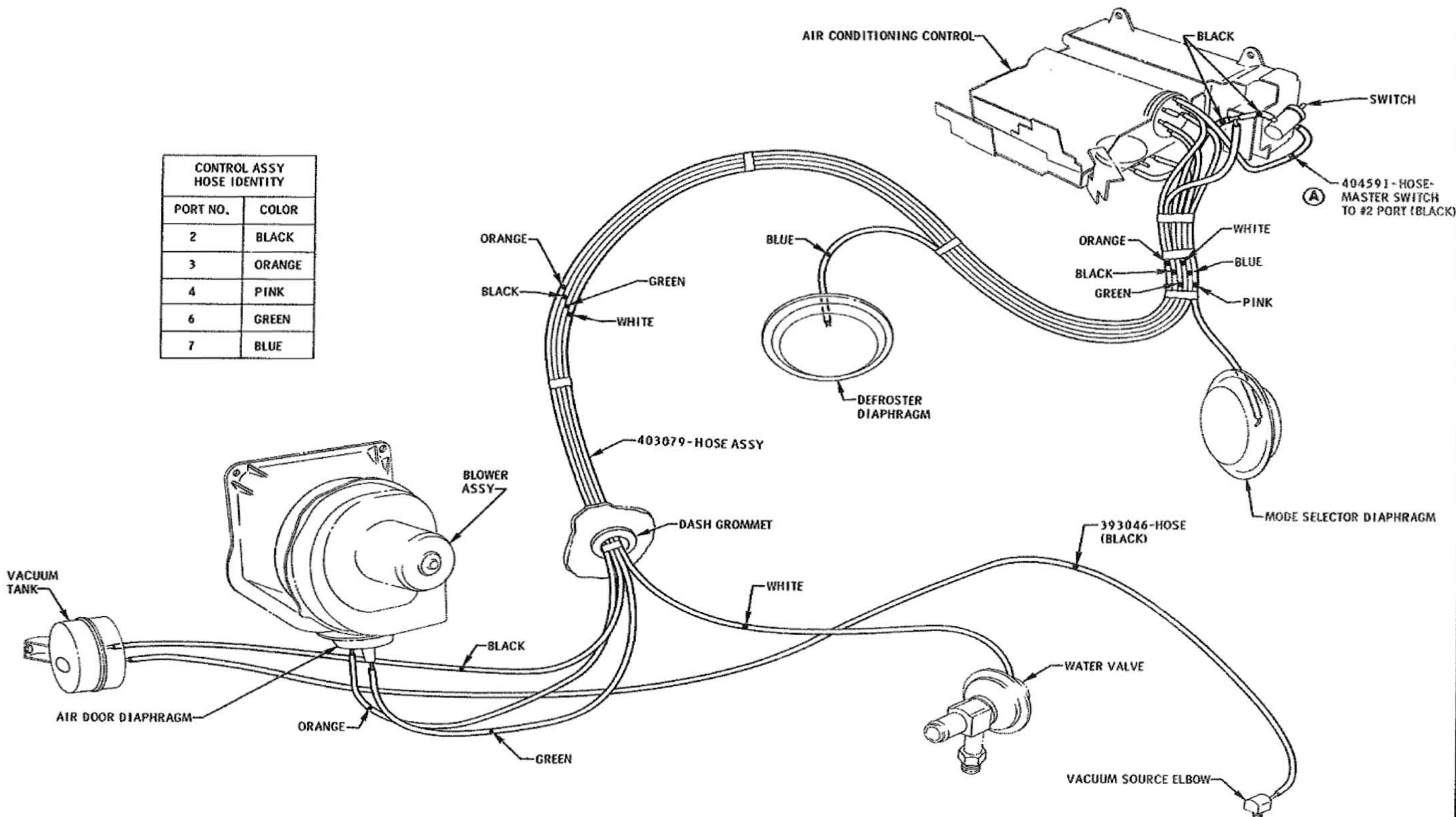
ⓓ 15-25 LB. IN.
ⓐ MUST BE FULLY DRIVEN, SEATED & NOT STRIPPED.

DATE	SYM	REVISION	DR. CK.	DATE	SYM	REVISION	DR. CK.	DATE	SYM	REVISION	DR. CK.	TITLE	FIRST USED	OLDSMOBILE PRODUCT INFORMATION MANUAL	MANUAL SEC.	PAGE
				5-8-69	E	DIMENSION REVISED	J13	DT				SPEEDOMETER CABLE ROUTING	1969		1-5	119
				10-20-68	D	TOGGLE AXLED	J12	DT				DATE APR. 20, 1968				
				9-11-68	C	CABLE ROUTING REVISED	J13	DT				DR. BY BOYER				
				9-5-68	B	VIEW ADDED	J12	DT				CHECKED				
				9-21-68	A	HOT STAMP ADDED	J13	DT				APPR. C.P.H.				
												APPR. S.M. 3/22/68				
													REF. 2 J	SERIES B-C	PART NO.	401901



TITLE												WINDSHIELD WASHER HOSE ROUTING			
DATE	MAR. 5. 1969					FIRST USED	1969		OLDSMOBILE PRODUCT INFORMATION MANUAL	MANUAL SECTION	1-5		PAGE	120	
DR. BY	BEAUDOIN					CHECKED	[Signature]		REF. 1A2D	SERIES	B-C		PART NO.	401901	
APPR.	[Signature]					APPR.	[Signature]								
DATE	SYM	REVISION	DR.	CK.	DATE	SYM	REVISION	DR.	CK.	DATE	SYM	REVISION	DR.	CK.	APPR.

CONTROL ASSY HOSE IDENTITY	
PORT NO.	COLOR
2	BLACK
3	ORANGE
4	PINK
6	GREEN
7	BLUE



								TITLE				35C60 - VACUUM HOSE DIAGRAM					
								DATE	JAN 28 1968		FIRST USED	1969		MANUAL SEC.	PAGE		
								DR. BY	TBOYER		OLDSMOBILE PRODUCT		1-5		212		
								CHECKED	[Signature]		REF.	SERIES		PART NO.			
								APPR.	[Signature]		B-C		401901				
						9-23-68 A		WAS 575836 HOSE				J13 27		APPR. [Signature] 11/23/68			
DATE	SYM	REVISION	DR.	CK.	DATE	SYM	REVISION	DR.	CK.	DATE	SYM	REVISION	DR.	CK.	DATE	SYM	

△ MUST BE FULLY DRIVEN, SEATED AND NOT STRIPPED.

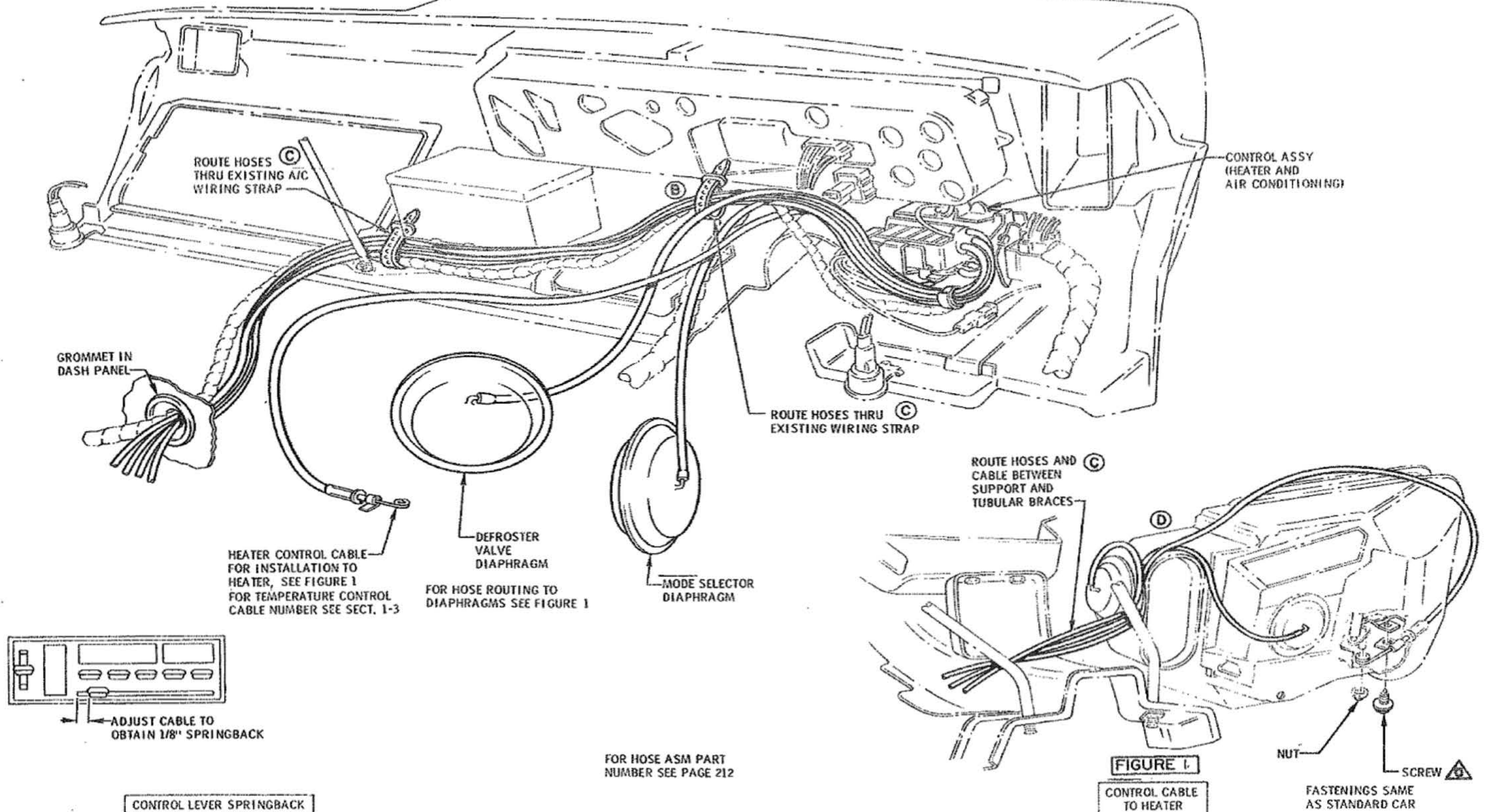


FIGURE 1

CONTROL CABLE TO HEATER

NUT
SCREW **△**
FASTENINGS SAME AS STANDARD CAR

DATE	SYM	REVISION	DR.	CK.	DATE	SYM	REVISION	DR.	CK.	DATE	SYM	REVISION	DR.	CK.	DATE	SYM	REVISION	DR.	CK.	TITLE	FIRST USED	OLDSMOBILE PRODUCT INFORMATION MANUAL	MANUAL SEC.	PAGE
					1-7-63	D	ROUTING REVISED	15.	DT											35C60 VACUUM HOSE AND CABLE ROUTING	1969		1-5	213
					9-17-68	C3	ROUTING INFO REVISED	15.	DT											DATE APR. 27, 1968				
					9-17-68	B	WIRING STRAP RELOCATED	15.	DT											DR. BY BEAUDOIN				
					7-26-68	A	NOTE REVISED	15.	DT											CHECKED				
																				APPR. <i>KE</i>				
																				APPR. <i>SM</i>				
																						B-C	401901	

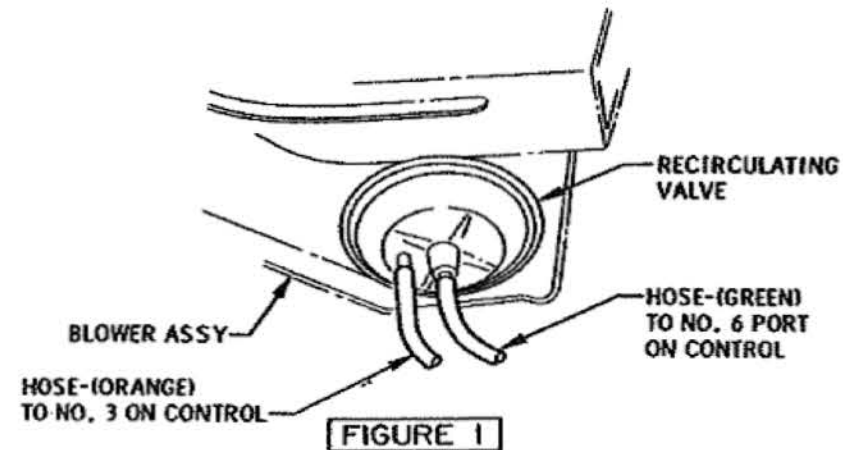
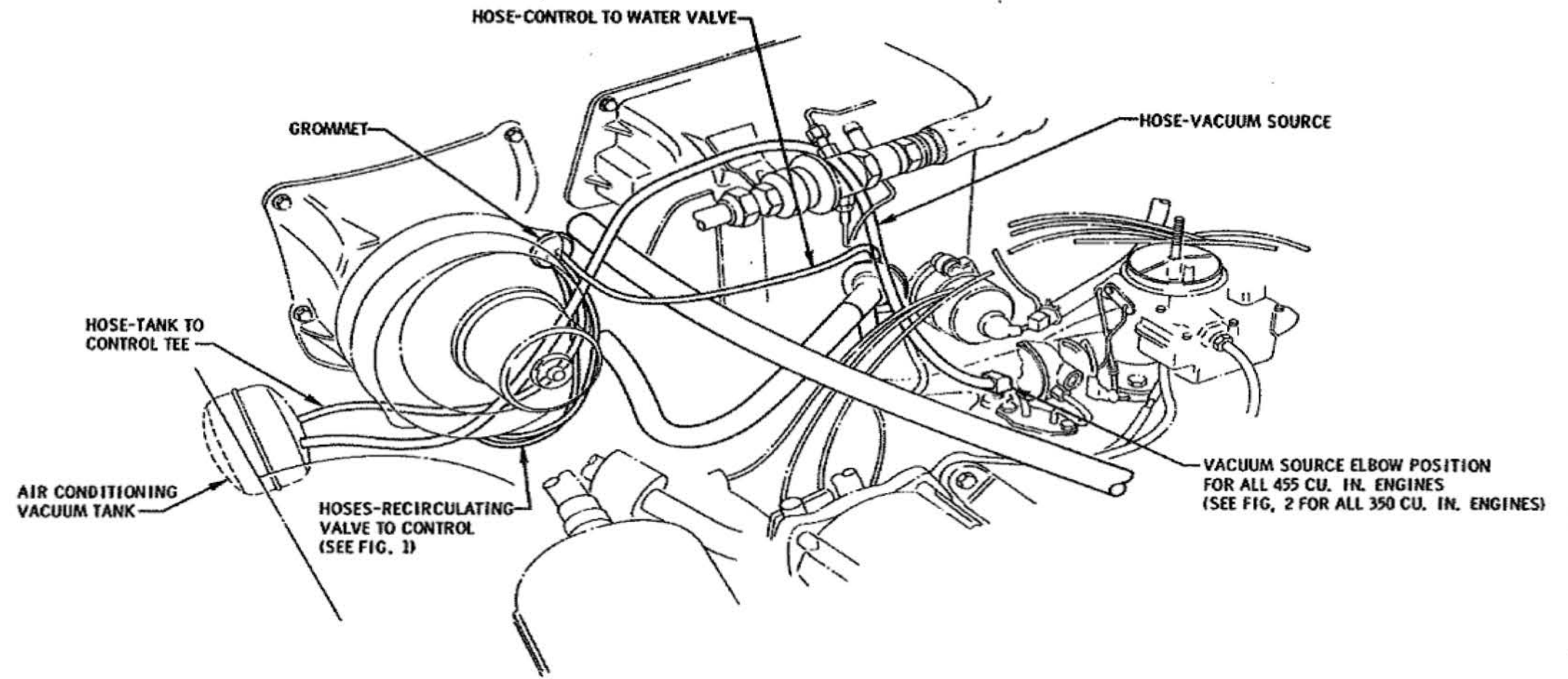


FIGURE 1

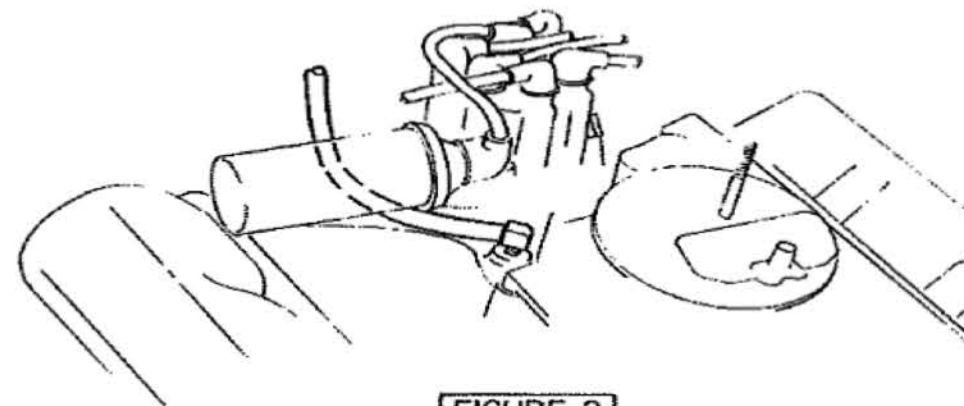
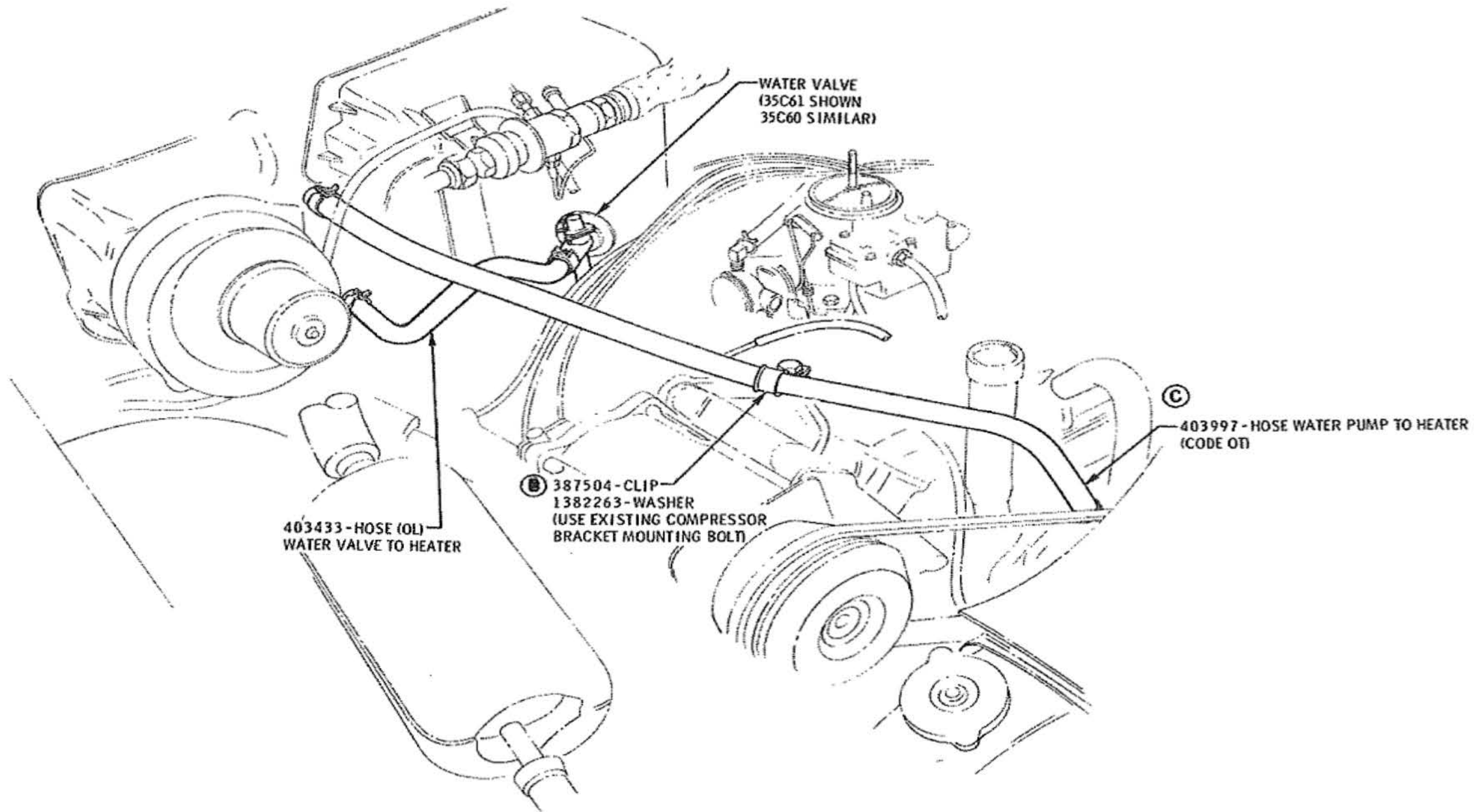


FIGURE 2

NOTE:
FOR VACUUM HOSE PART
NUMBERS, SEE PAGE 212

TITLE												35C60 VACUUM HOSE ROUTING (ENGINE COMPARTMENT)							
DATE						JAN. 9, 1968						FIRST USED		1969		OLDSMOBILE PRODUCT		MANUAL SEC. PAGE	
DR. BY						BOYER						REF.		SERIES		PART NO.			
CHECKED						[Signature]						B-C		401901		1-5 214			
APPR.						[Signature]						APPR.		2/1/68					
DATE	SYM	REVISION	DR. CK.	DATE	SYM	REVISION	DR. CK.	DATE	SYM	REVISION	DR. CK.	DATE	SYM	REVISION	DR. CK.	DATE	SYM	REVISION	DR. CK.

Ⓓ SEE PAGE 105 FOR
HEATER HOSE
CONNECTIONS
TO HEATER



NOTE:
SEE PAGE 117 FOR HOSE CLAMPS
SEE SECTION 6-1 FOR COMPRESSOR
INSTALLATION

DATE	SYM	REVISION	DR.	CK.	DATE	SYM	REVISION	DR.	CK.	DATE	SYM	REVISION	DR.	CK.	TITLE	FIRST USED	OLDSMOBILE PRODUCT INFORMATION MANUAL	MANUAL SEC.	PAGE
					6-19-68	D	NOTE ADDED	J13	DT						AIR CONDITIONING HEATER WATER HOSES	1969		1-5	215
					5-6-68	C	HOSE PART NO. ADDED	J13	DT						DATE JAN. 9, 1968				
					3-18-68	B	CLIP ROTATED & NO'S ADDED	J13	DT						DR. BY BOYER				
					2-19-68	A	WAS 395255 HOSE	J13	DT						CHECKED <i>Jiles</i>				
															APPR. <i>Ron Malinika</i>	REF. 35C60/61	SERIES B-C	PART NO. 401901	

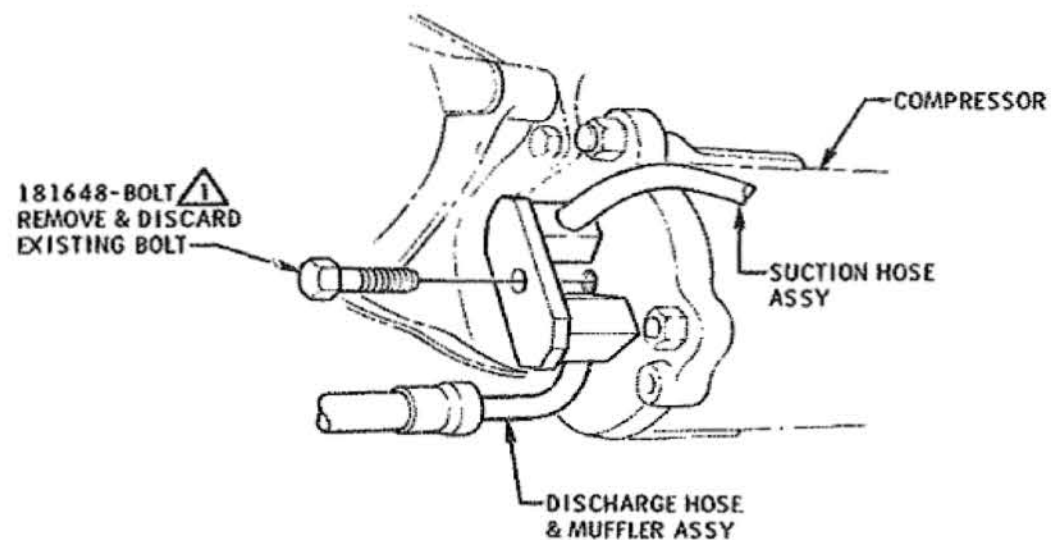
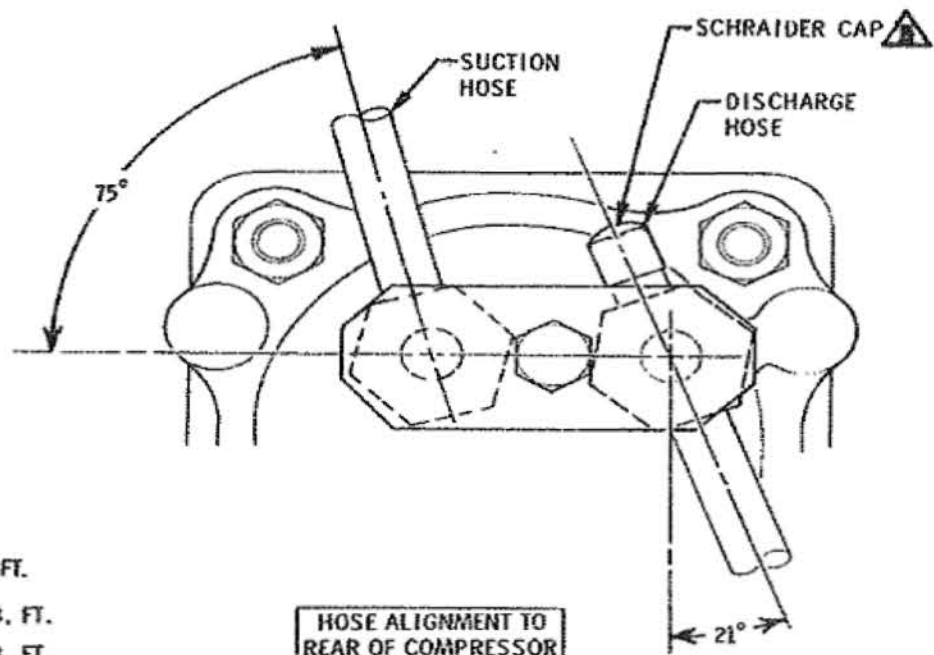
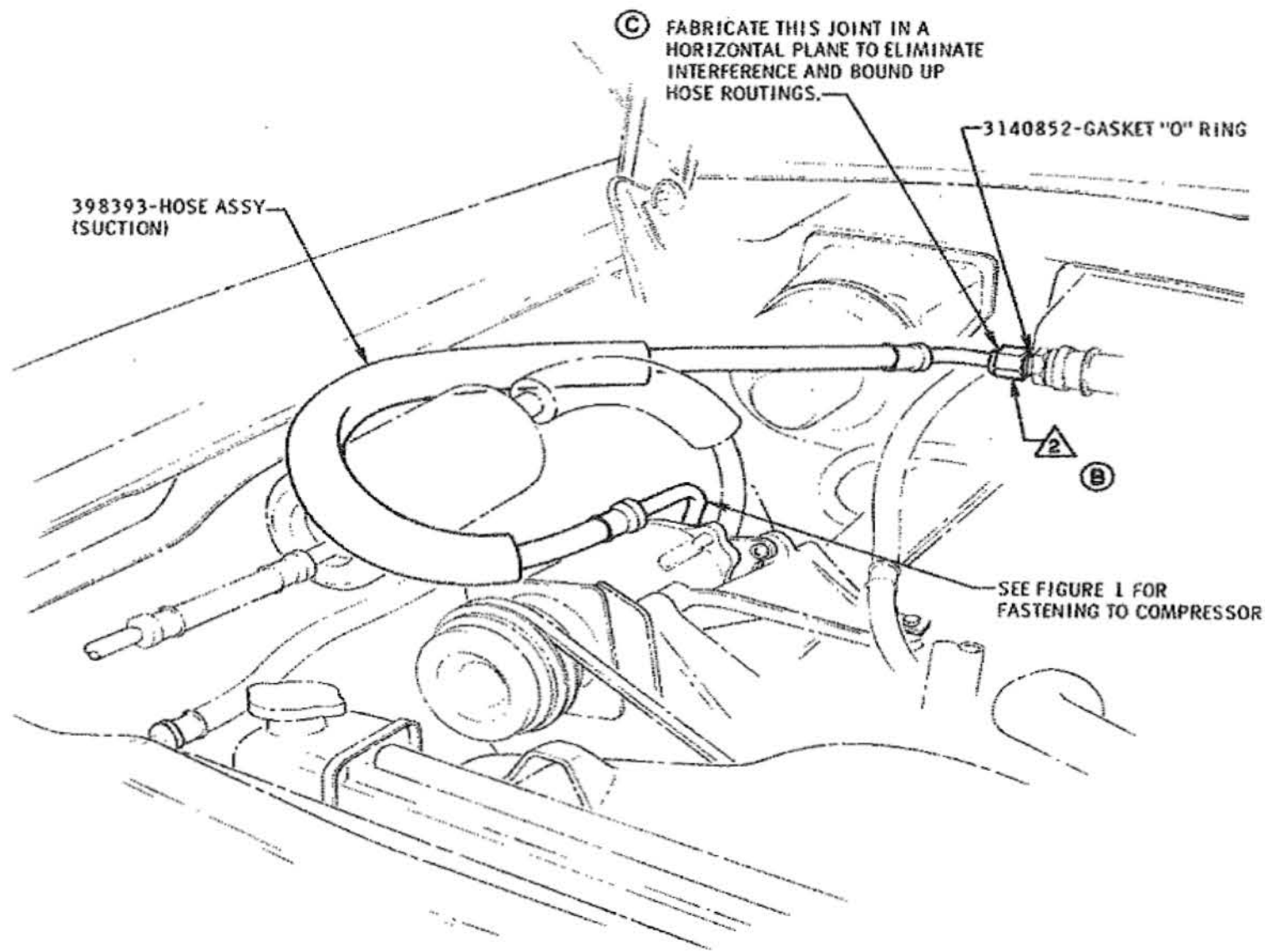


FIGURE 1



HOSE ALIGNMENT TO REAR OF COMPRESSOR

- 3 5-7 LB. FT.
- 2 28-33 LB. FT.
- 1 20-25 LB. FT.



INSTALLATION OF SUCTION HOSE

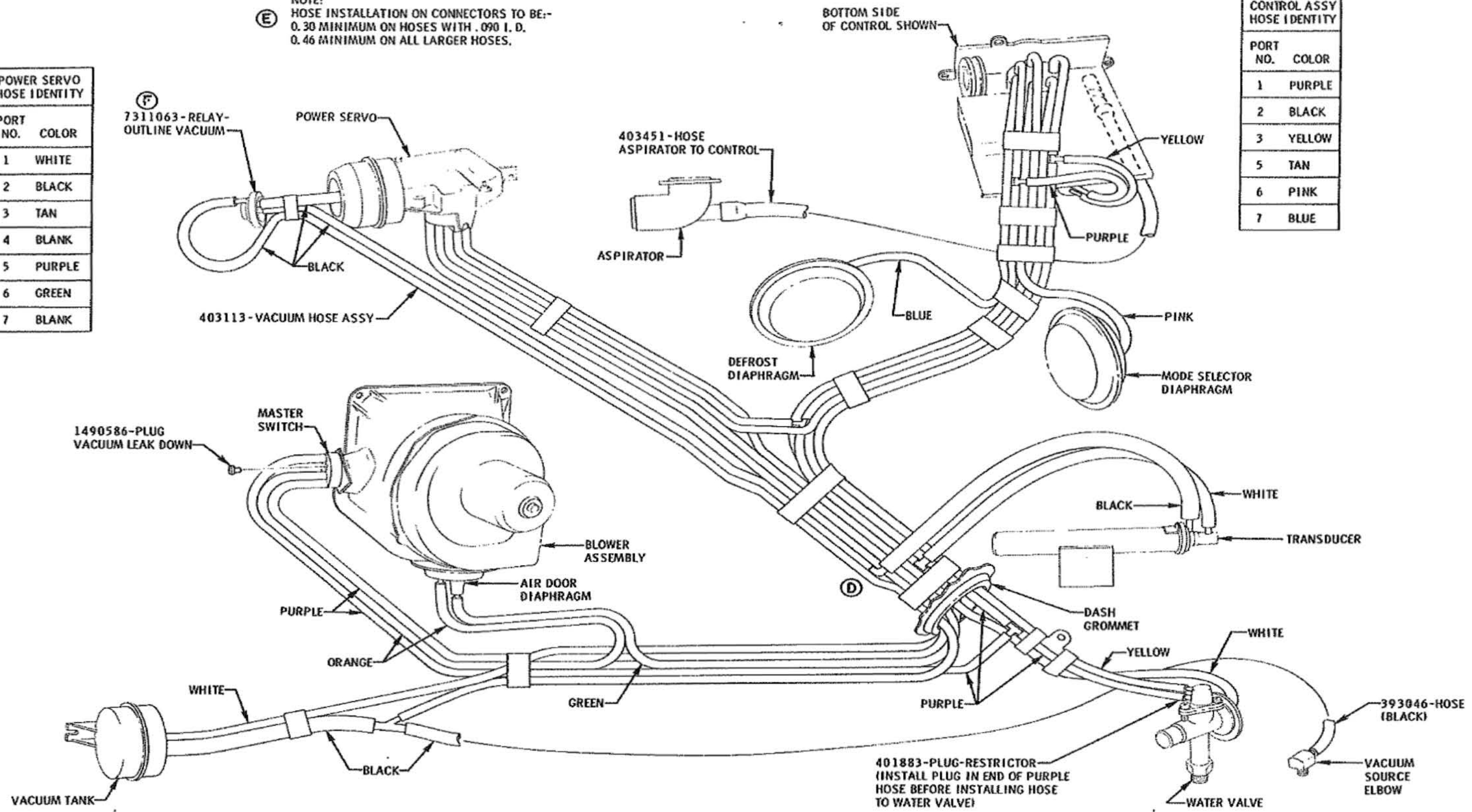
D REFER TO AIR CONDITIONING PROCEDURE CHART SECTION O PAGE 200 FOR ADDITIONAL DATA

DATE	SYM	REVISION	DR.	CK.	DATE	SYM	REVISION	DR.	CK.	DATE	SYM	REVISION	DR.	CK.	DATE	SYM	REVISION	DR.	CK.	TITLE	FIRST USED	GLDSMOBILE PRODUCT INFORMATION MANUAL	MANUAL SEC.	PAGE
					1-30-69	D	NOTE ADDED													A/C FREON HOSE ROUTING	1969	1-5	217	
					11-18-68	C	NOTE ADDED													DR. BY 130YER				
					8-6-68	B	TORQUE RELEASED													CHECKED				
					2-23-68	A	TORQUE ADDED													APPR. WK		B-C	401901	

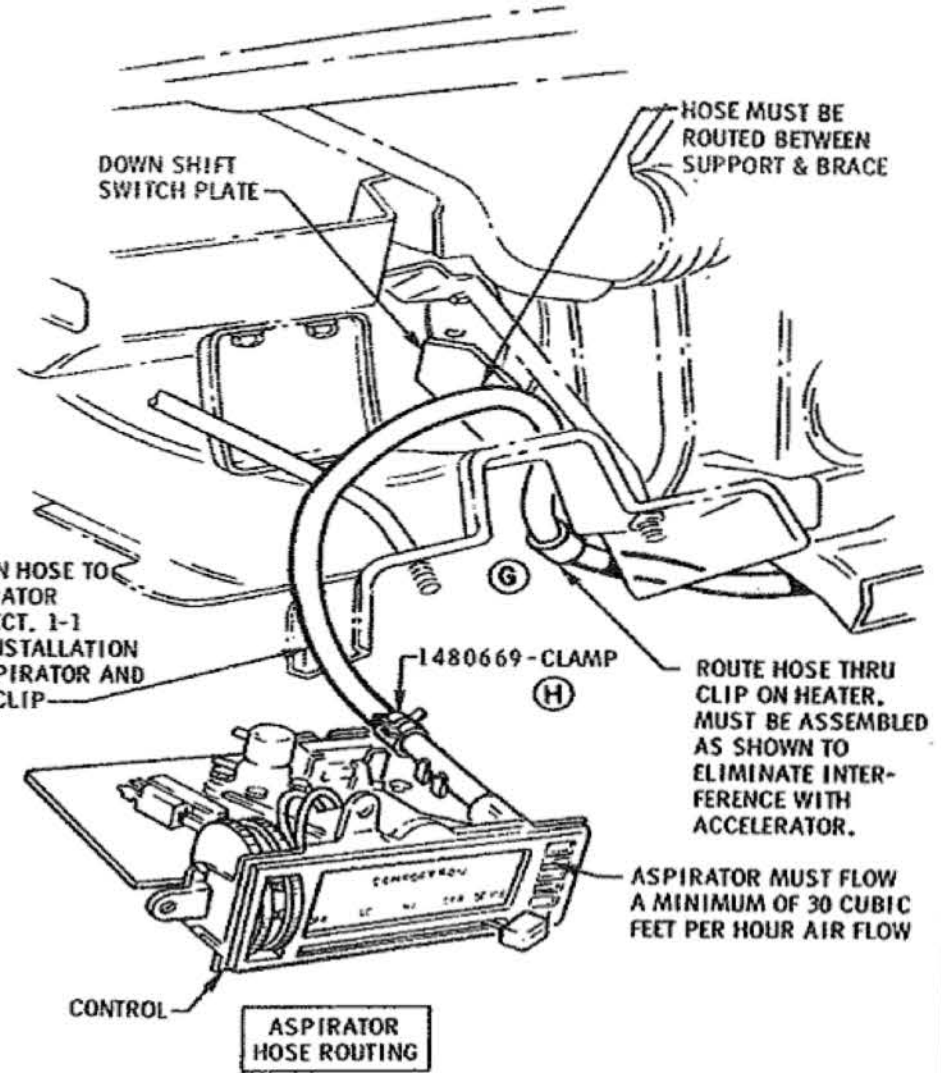
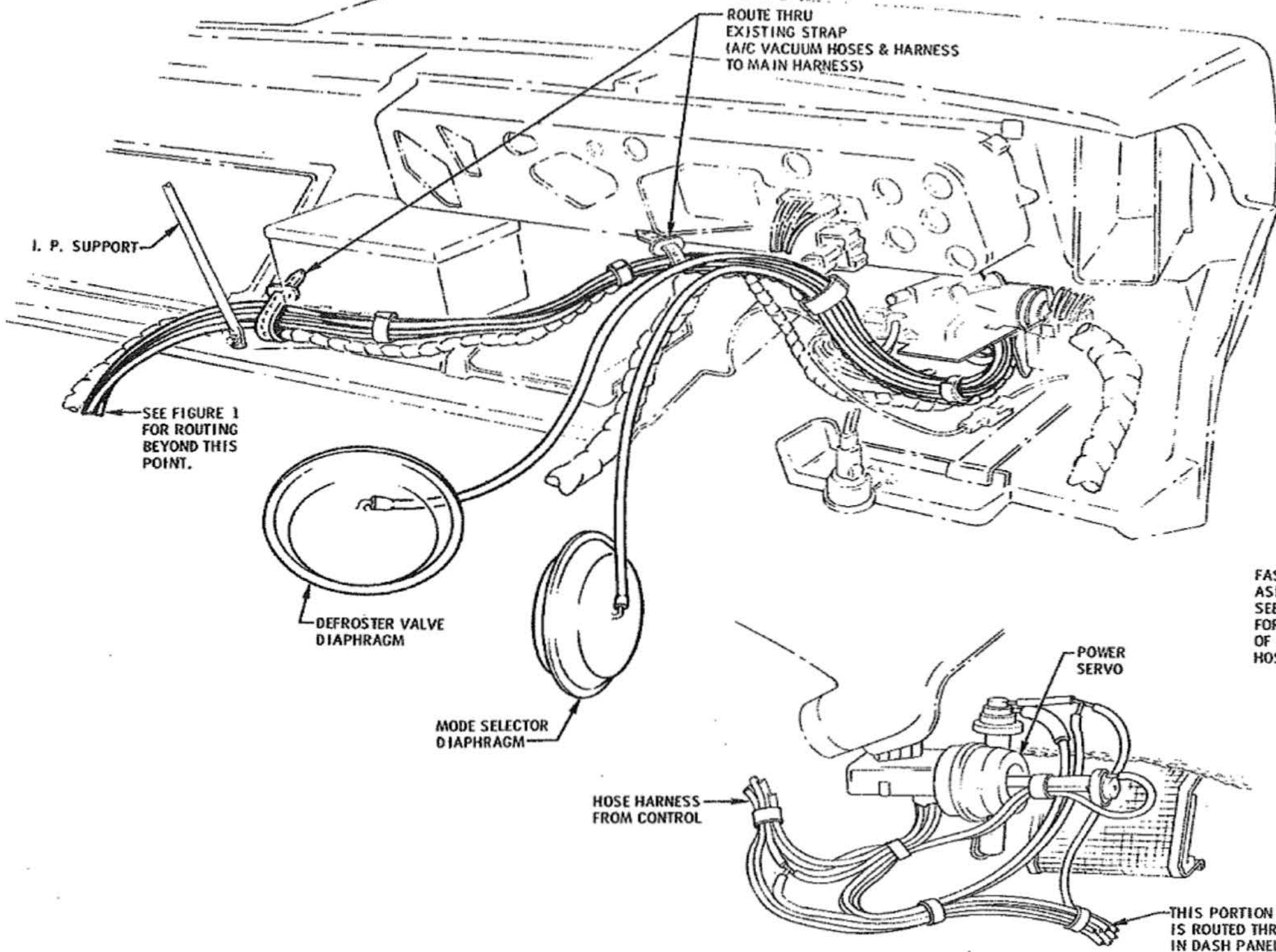
(E) NOTE:
HOSE INSTALLATION ON CONNECTORS TO BE:
0.30 MINIMUM ON HOSES WITH .090 I. D.
0.46 MINIMUM ON ALL LARGER HOSES.

POWER SERVO HOSE IDENTITY	
PORT NO.	COLOR
1	WHITE
2	BLACK
3	TAN
4	BLANK
5	PURPLE
6	GREEN
7	BLANK

CONTROL ASSY HOSE IDENTITY	
PORT NO.	COLOR
1	PURPLE
2	BLACK
3	YELLOW
5	TAN
6	PINK
7	BLUE



DATE	SYM	REVISION	DR.	CK.	DATE	SYM	REVISION	DR.	CK.	DATE	SYM	REVISION	DR.	CK.	DATE	SYM	REVISION	DR.	CK.	TITLE	FIRST USED	OLDSMOBILE PRODUCT INFORMATION MANUAL	MANUAL SEC.	PAGE
					4-16-68	E	NOTE ADDED	J13	DT												35C61 PICTORIAL VACUUM HOSE DIAGRAM			
					4-16-68	D	HOSE ROUTING REVISED	J13	DT												DATE FEB 5 1968	1969		220
					4-9-68	C	REV. TO DETAIL	J13	DT												DR. BY ISOYER			
					2-5-68	B	REV. & REDRAWN	J13	DT												CHECKED J13			
					6-7-68	F	WAS 7295178 RELAY	J13	DT												APPR. X.C. Maloney	REF. 35C61	B-C	401901
					2-26-68	A	WAS 399127 HOSE	J13	DT												APPR. Sm 2/5/68			



F FIGURE 1

FOR COMPLETE HOSE ROUTING DIAGRAM, SEE PAGE 220

DATE	SYM	REVISION	DR.	CK.	DATE	SYM	REVISION	DR.	CK.	DATE	SYM	REVISION	DR.	CK.	DATE	SYM	REVISION
					9-17-68	E	NOTE REVISED										
					9-17-68	D	ROUTING REVISED										
					2-11-69	H	CLAMP ADDED										
					2-3-69	G	VIEW REVISED										
					10-23-68	F	FIGURE 1 REVISED										

TITLE	35C61 VACUUM HOSE ROUTING	
DATE	APR 10 1968	
DR. BY	BEAUDOIN	
CHECKED	JTB	
APPR.	M. S. C. 4/16/68	
FIRST USED	1969	
REF.		
OLDSMOBILE PRODUCT INFORMATION MANUAL	MANUAL SEC. 1-5	PAGE 221
SERIES B-C	PART NO.	401901

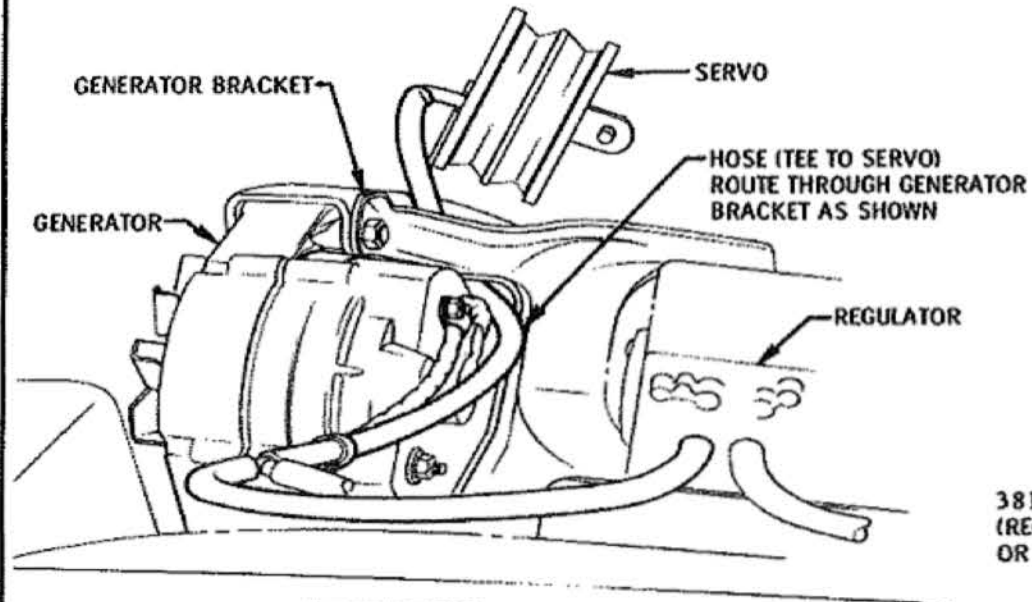
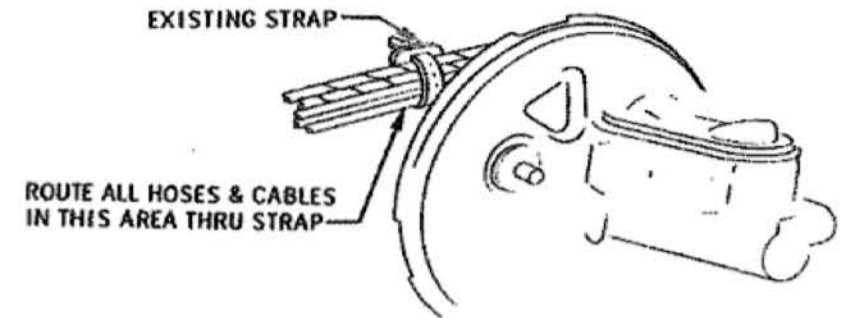
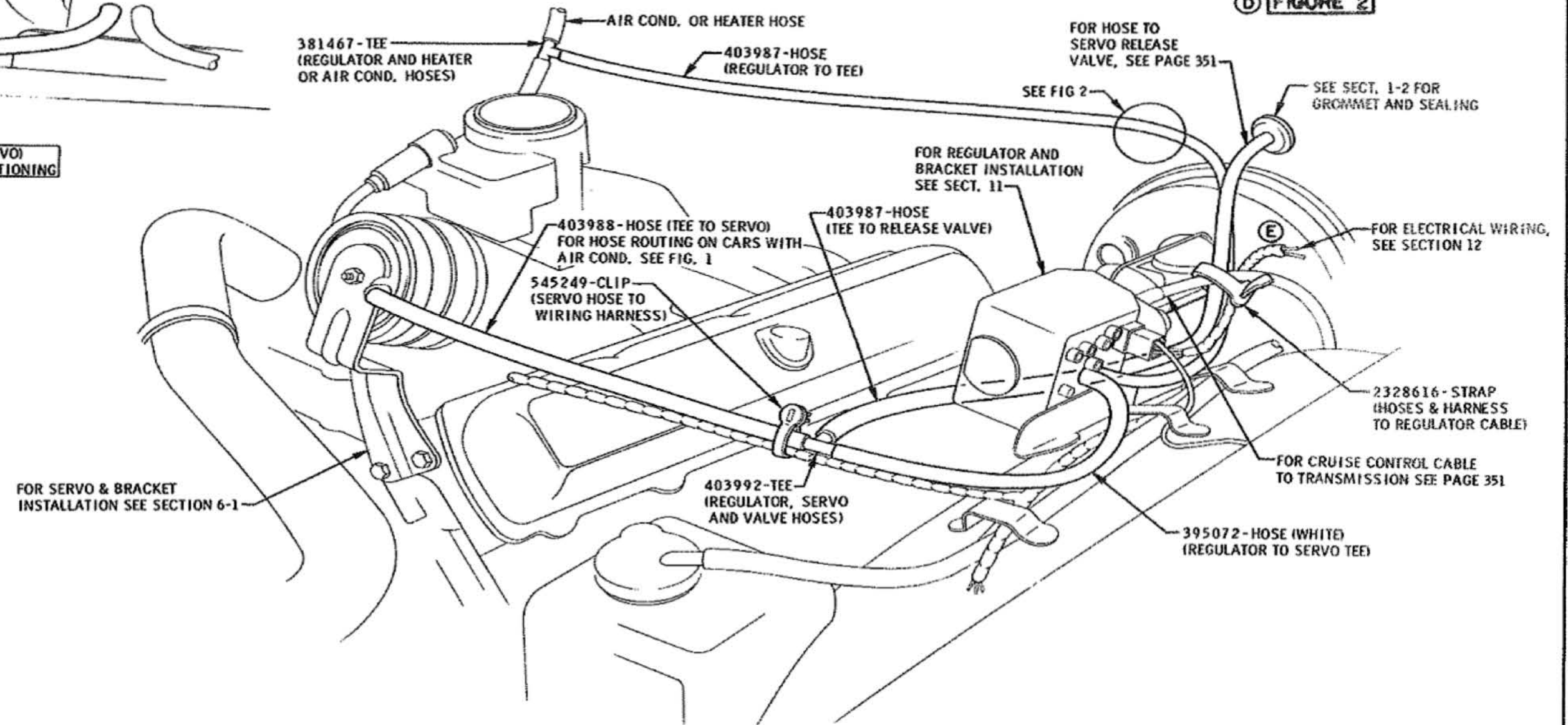


FIGURE 1
HOSE ROUTING (TEE TO SERVO)
ON CARS WITH AIR CONDITIONING

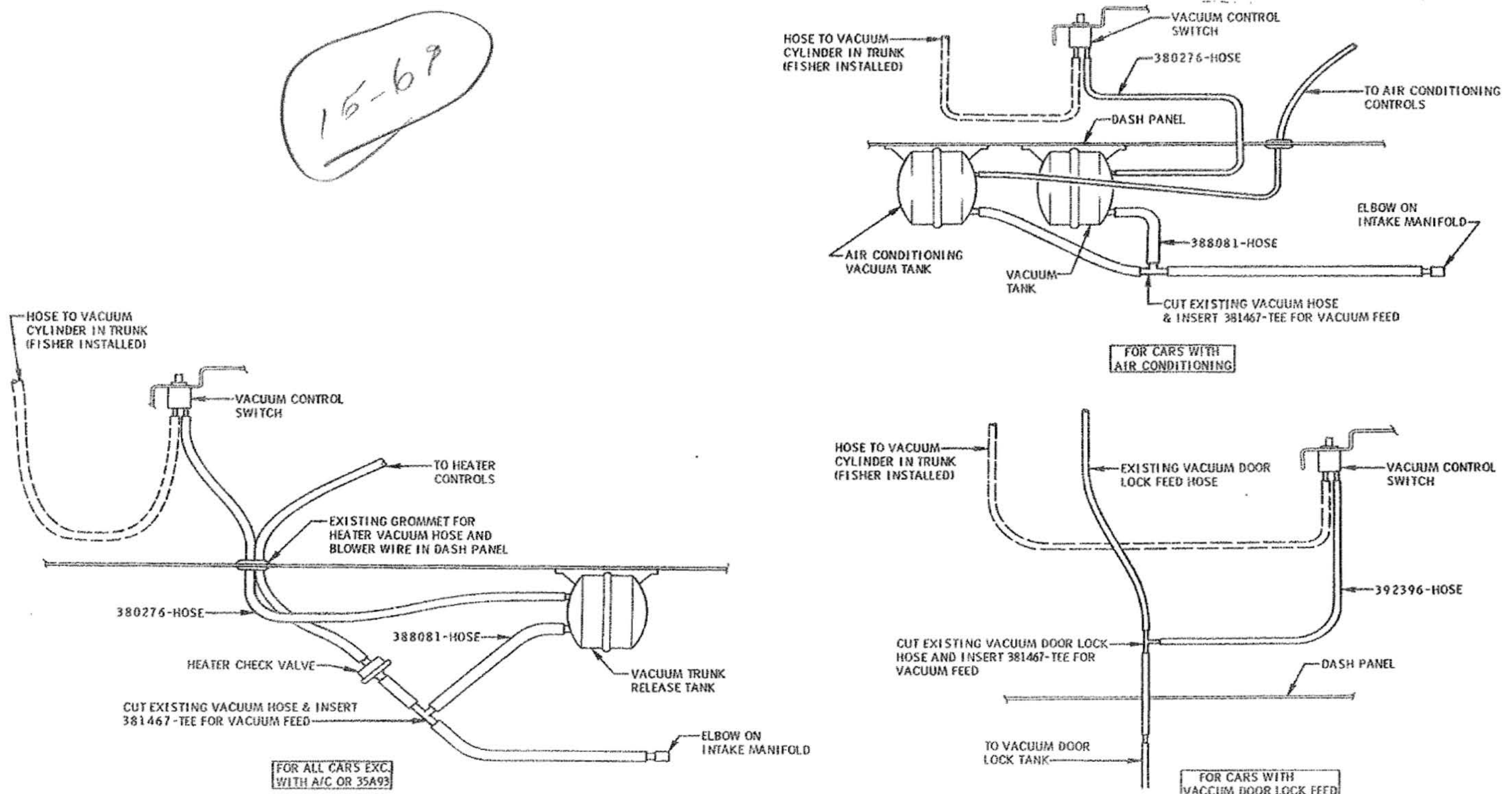


TYPICAL STRAP INSTALLATION
FIGURE 2

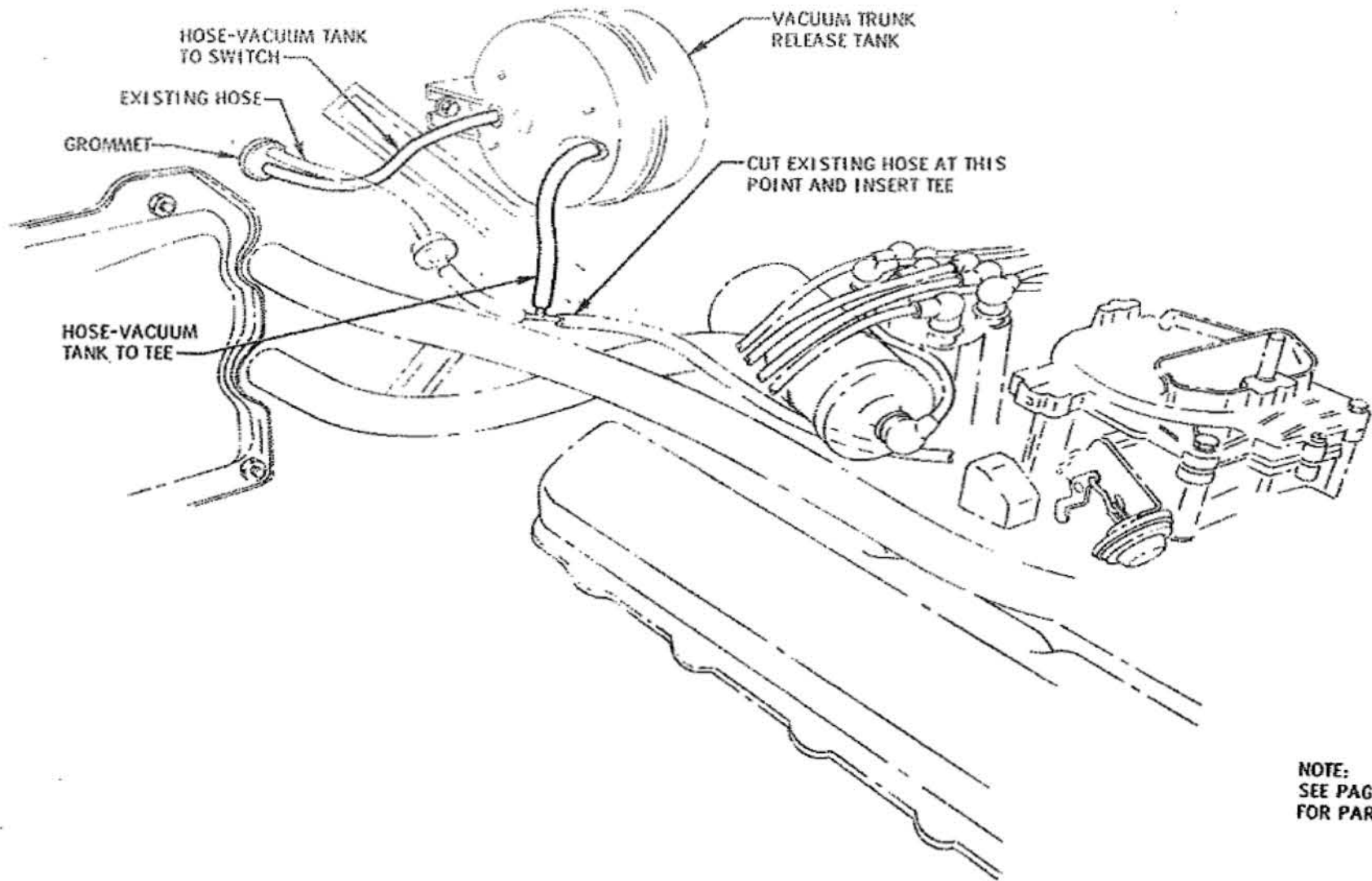


DATE	SYM	REVISION	DR.	CK.	DATE	SYM	REVISION	DR.	CK.	DATE	SYM	REVISION	DR.	CK.	APPR.	TITLE	FIRST USED	OLDSMOBILE PRODUCT INFORMATION MANUAL	MANUAL SEC.	PAGE
10-1-68	E	WIRE ROUTING REVISED	J13	DT												35K30 HOSE AND CABLE ROUTING	1969		1-5	350
8/24/68	D	FIG. 2 ADDED	PL	DT												DATE MAY 7, 1968				
5-13-68	C	FIG. 1 ADDED	J13	DT												DR. BY ISOYER				
7-29-68	B	STRAP RELOCATED	J13	DT												CHECKED <i>[Signature]</i>				
7-20-68	A	BACKGROUND REVISED	W	DT												APPR. <i>[Signature]</i>	REF. 35K30	SERIES B-C	PART NO. 401901	

15-69



DATE	SYM	REVISION	DR.	CK.	DATE	SYM	REVISION	DR.	CK.	DATE	SYM	REVISION	DR.	CK.	DATE	SYM	REVISION	DR.	CK.	DATE	SYM	REVISION	DR.	CK.				
														TITLE														
														35A91 VACUUM HOSE DIAGRAM														
														DATE	MAR 11 1968	FIRST USED	1969	OLDSMOBILE PRODUCT INFORMATION MANUAL	MANUAL SEC.	1-5	PAGE	370						
														DR. BY	LBOYER	REF.	35A91	SERIES	B-C	PART NO.	401901							
														CHECKED	[Signature]	APPR.	[Signature]											
														APPR.	ML 3/15													

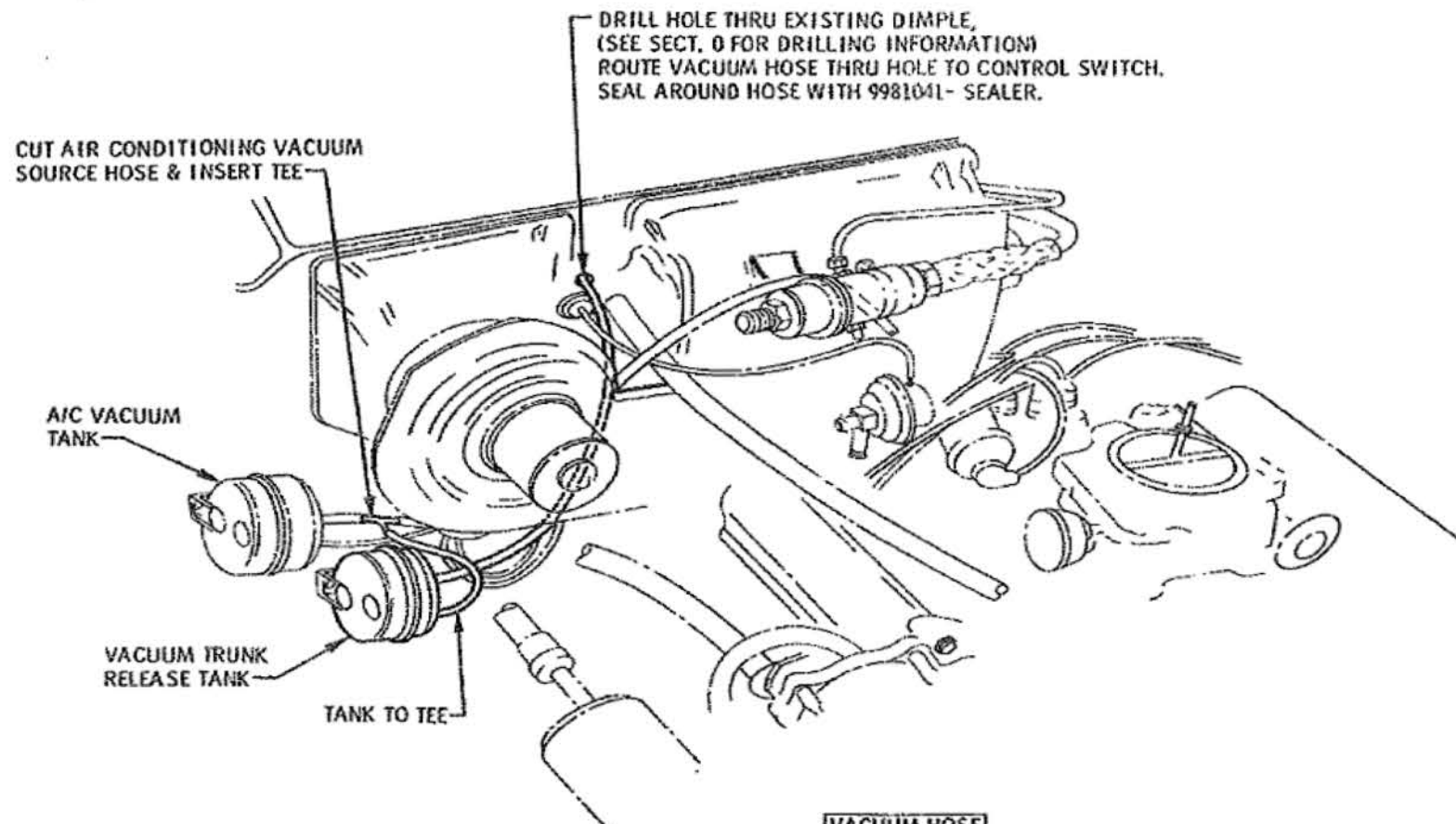


NOTE:
SEE PAGE 370
FOR PART NUMBERS

**VACUUM HOSE ROUTING
FOR ALL MODELS**

**EXCEPT CARS WITH 35C60,
35C61 AND/OR 35A93**

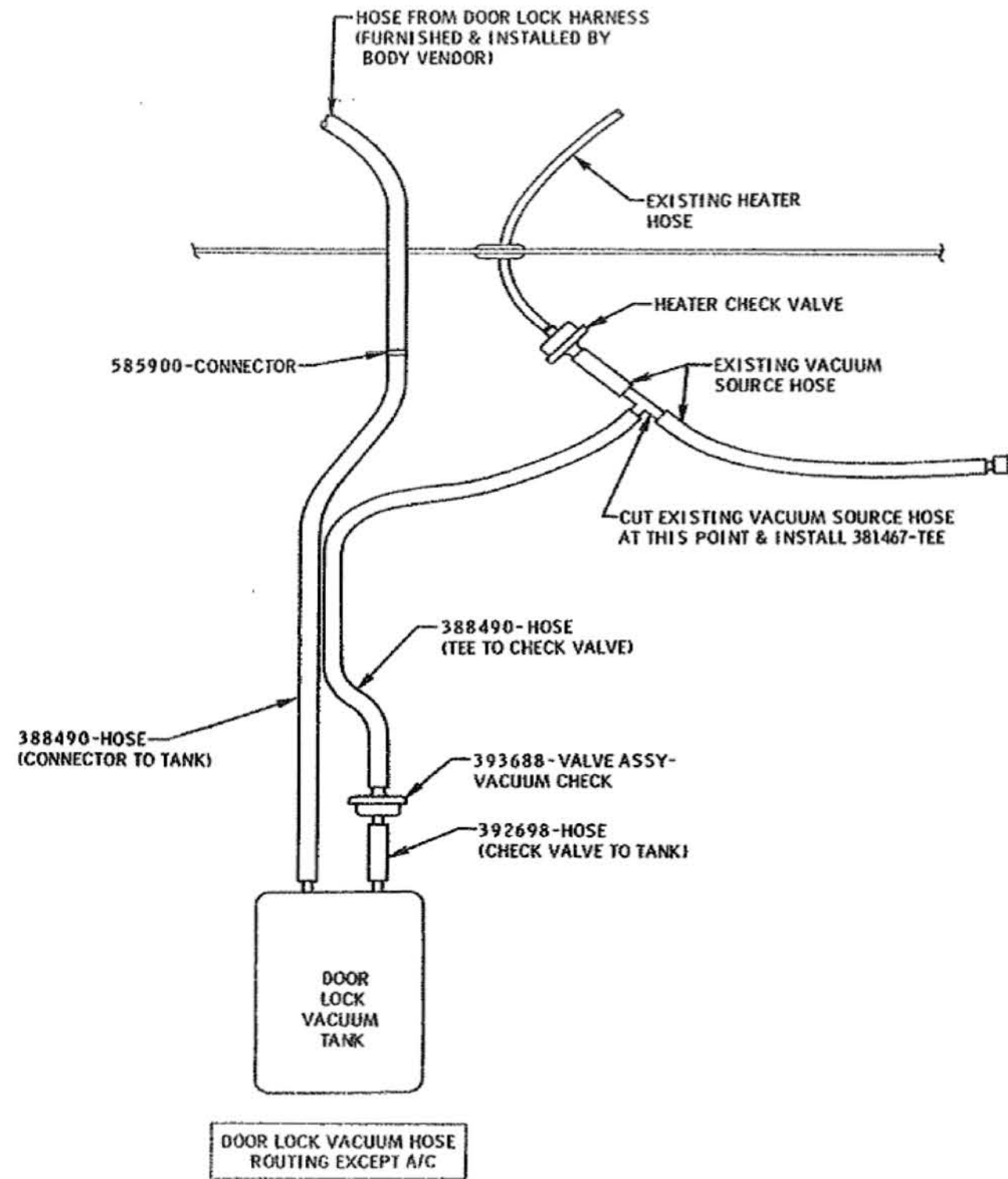
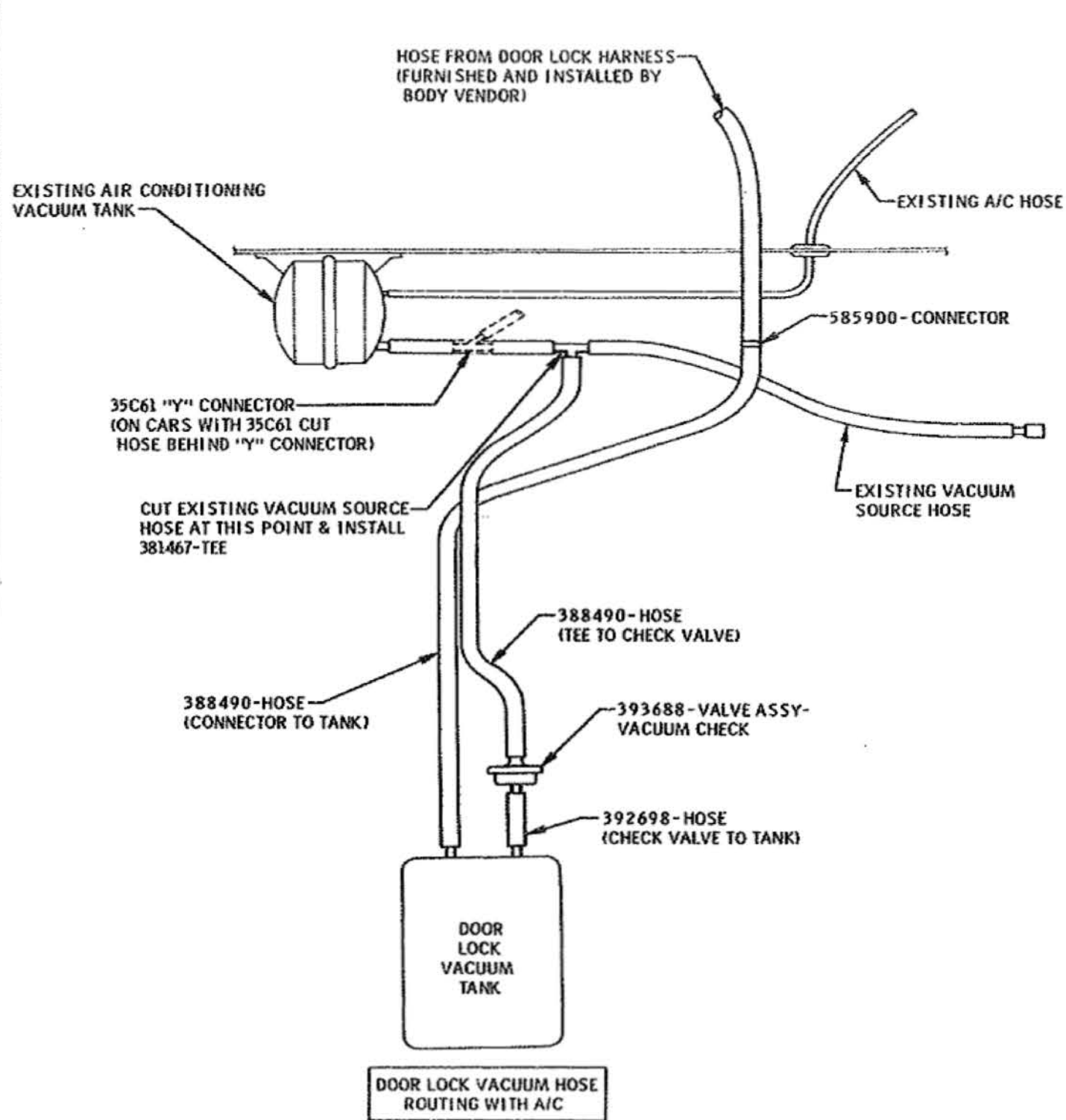
DATE											SYM											REVISION											DR. CK.											DATE											SYM											REVISION											DR. CK.											DATE											SYM											REVISION											DR. CK.										
																																	TITLE 35A91 VACUUM HOSE ROUTING - ENGINE COMPARTMENT																																																																																																		
DATE <i>JAN. 10, 1969</i>																		FIRST USED 1969												OLDSMOBILE PRODUCT INFORMATION MANUAL												MANUAL SEC. 1-5												PAGE 372																																																																													
DR. BY <i>BOYER</i>																		CHECKED <i>[Signature]</i>												SERIES B-C												PART NO. 401901																																																																																									
APPR. <i>[Signature]</i>																		APPR. <i>[Signature]</i>																																																																																																																	
APPR. <i>SJA - 7/1/68</i>																																																																																																																																			



SEE PAGE 370
FOR PART NUMBERS

VACUUM HOSE
ROUTING
WITH A/C

DATE	SYM	REVISION	DR.	CK.	DATE	SYM	REVISION	DR.	CK.	DATE	SYM	REVISION	DR.	CK.	APPR.	TITLE	FIRST USED	OLDSMOBILE PRODUCT INFORMATION MANUAL	MANUAL SEC.	PAGE
																35A91 VACUUM HOSE ROUTING WITH A/C	1969		1-5	373
																REF. 35A91	SERIES B-C	PART NO.	401901	



										TITLE		35A93 VACUUM HOSE DIAGRAM							
										DATE		JAN. 11, 1968	FIRST USED	1969	OLDSMOBILE PRODUCT	MANUAL SEC.	PAGE		
										DR. BY		BOYER	REF.		INFORMATION MANUAL	1-5	374		
										CHECKED		<i>[Signature]</i>	SERIES	B-C	PART NO.	401901			
										APPR.		<i>[Signature]</i>							
										DATE		2/1/68							
DATE	SYM	REVISION	DR.	CK.	DATE	SYM	REVISION	DR.	CK.	DATE	SYM	REVISION	DR.	CK.	DATE	SYM	REVISION	DR.	CK.



SECTION 2 BODY MOUNTING

110 BODY MOUNTING AND FRAME CHART

DATE 6-17-68

MANUAL NO. 401901

SERIES B-C

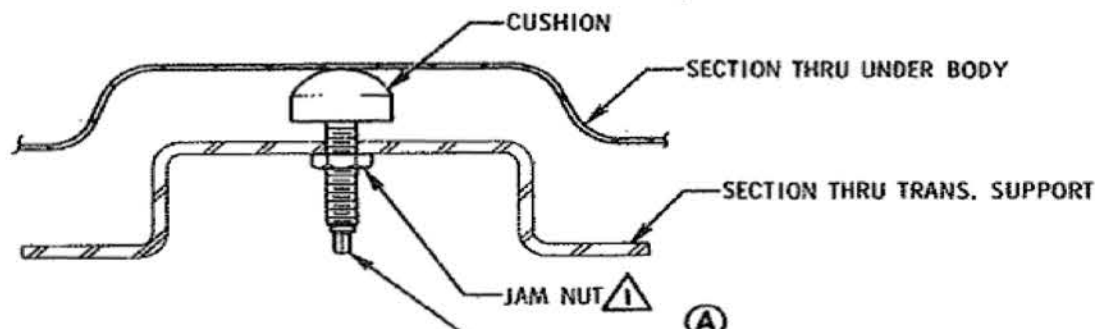
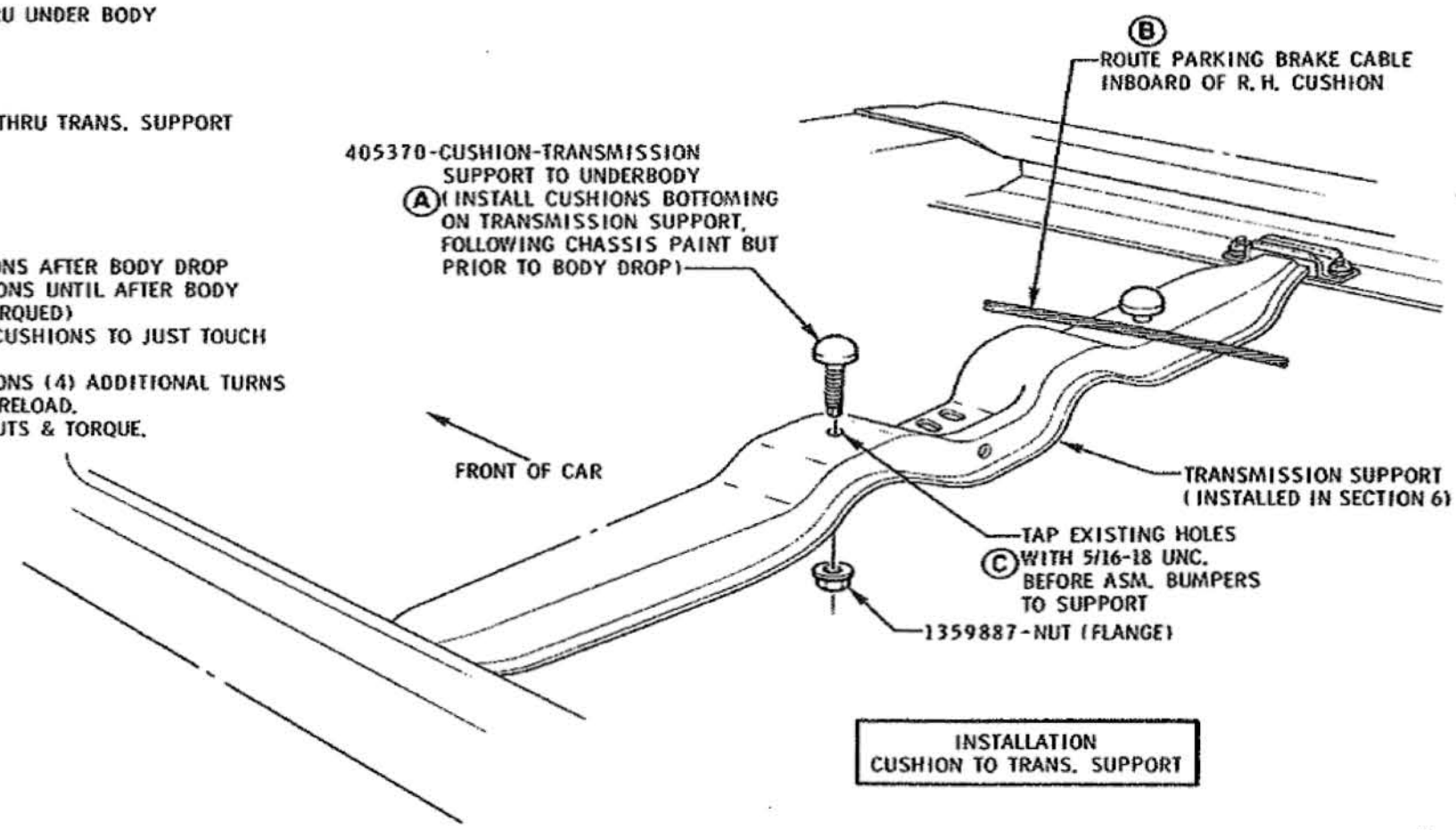


FIGURE 1
ADJUSTMENT OF CUSHION TO UNDERBODY

- A** ADJUSTMENT OF CUSHIONS AFTER BODY DROP (DO NOT ADJUST CUSHIONS UNTIL AFTER BODY MOUNTS HAVE BEEN TORQUED)
1. TIGHTEN BOTH CUSHIONS TO JUST TOUCH UNDERBODY.
 2. TIGHTEN CUSHIONS (4) ADDITIONAL TURNS $\pm 1/2$ TURN TO PRELOAD.
 3. INSTALL JAM NUTS & TORQUE.

405370-CUSHION-TRANSMISSION SUPPORT TO UNDERBODY
A (INSTALL CUSHIONS BOTTOMING ON TRANSMISSION SUPPORT, FOLLOWING CHASSIS PAINT BUT PRIOR TO BODY DROP)



INSTALLATION
CUSHION TO TRANS. SUPPORT

1 10-15 LB. FT.

(84 - 8600 EXC. 8467)

TITLE CUSHION-TRANSMISSION SUPPORT TO UNDERBODY										DATE DECEMBER 6, 1968			FIRST USED 1969		OLDSMOBILE PRODUCT INFORMATION MANUAL 2 III				
DATE	SYM	REVISION	DR.	CK.	DATE	SYM	REVISION	DR.	CK.	DATE	SYM	REVISION	DR.	CK.	DATE	SYM	REF.	SERIES	PART NO.
					1-18-69	C	NOTE ADDED	CMP											
					12-12-68	B	NOTE ADDED	CMP											
					12-12-68	A	NOTES REV	CMP									1B	C	401901



SECTION 3 FRONT SUSPENSION

- 100 CHARTS
- 110 FRONT SUSPENSION COMPONENTS

DATE 6-17-68

MANUAL NO. 401901

SERIES B-C

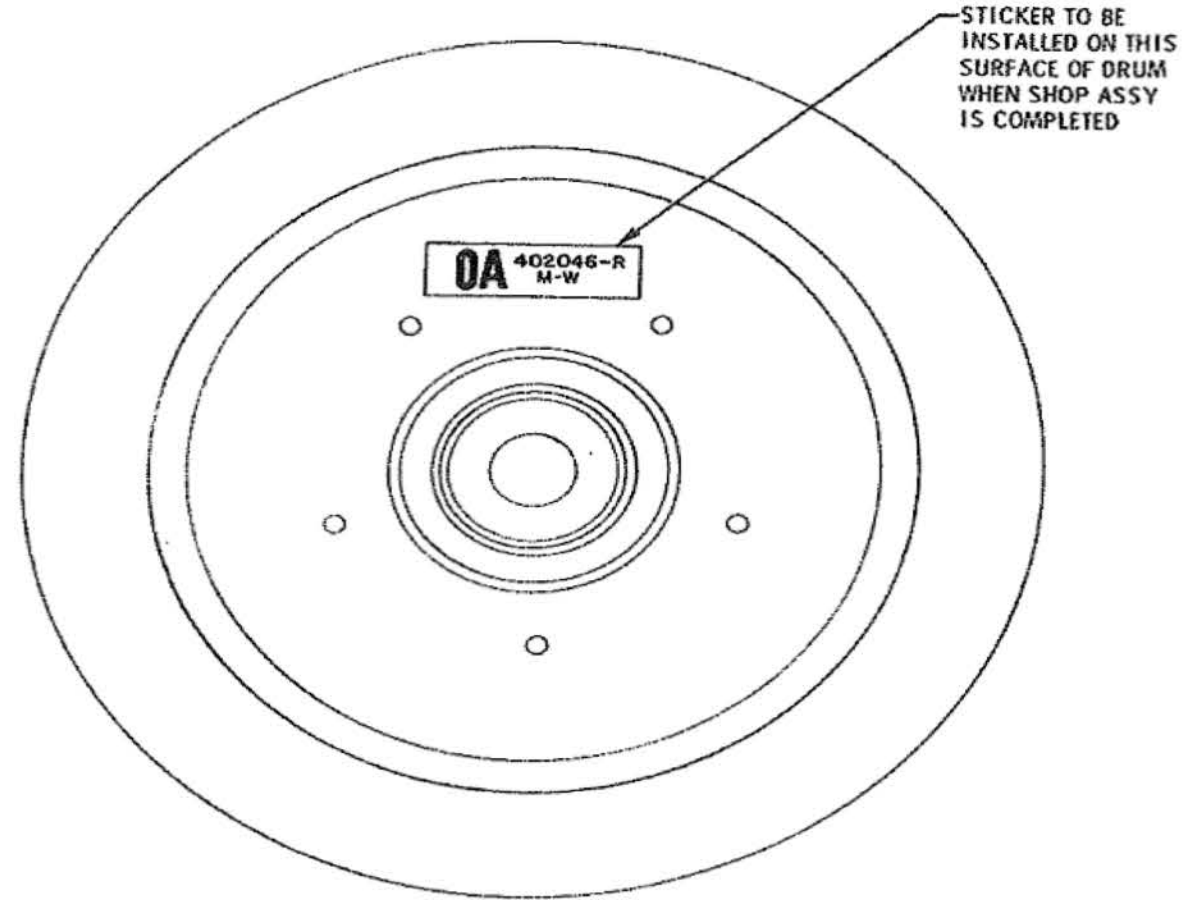
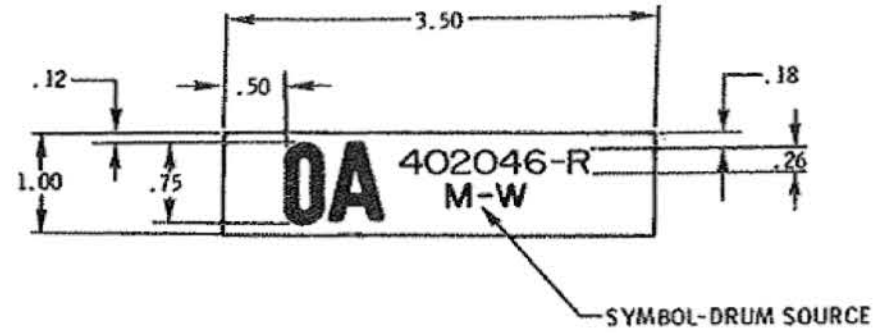
STEERING KNUCKLE ASSEMBLY USAGE

CODE	STEERING	BRAKES	PART NO.	MODELS
OF	MANUAL	POWER	402044-R. 402045-L.	54, 64 & 6600
OT	MANUAL	MANUAL	403294-R. 403295-L.	54, 64 & 6600
OA	POWER	POWER	402046-R. 402047-L.	54, 64, 66, 84 & 8600
OP	POWER	MANUAL	403296-R. 403297-L.	54, 64 & 6600

NOTE: ON POWER BRAKE EQUIPPED CARS ONLY.
KNUCKLE ASSEMBLIES "OF" AND "OT" ARE OPTIONAL AND
KNUCKLE ASSEMBLIES "OA" AND "OP" ARE OPTIONAL.

OB	—	—	401996-R. 401997-L.	ALL F85 EXC. EXT. WAGONS
OD	—	—	401998-R. 401999-L.	ALL F85 EXT. WAGONS

NOTE:
KNUCKLE ASSEMBLIES MUST BE USED IN PAIRS AS SHOWN ABOVE.



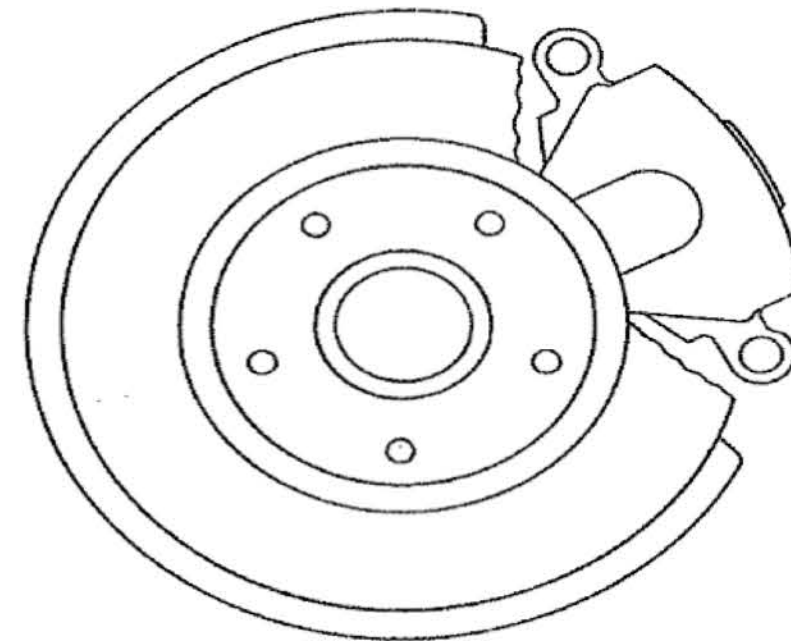
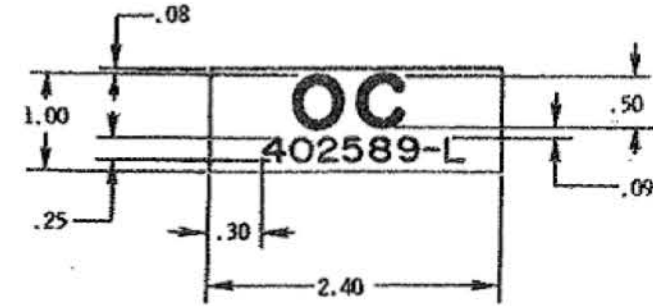
(A) EXC.
JL2, J55

SHEET 1 OF 2

TITLE										CHART - KNUCKLE SHOP ASSEMBLY CODE																																
<table border="0"> <tr> <td>82266 C</td> <td>REVISED</td> <td>REV. JT</td> <td>DATE DEC. 12, 1967</td> <td>FIRST USED</td> <td>1969</td> <td>OLDSMOBILE PRODUCT INFORMATION MANUAL</td> <td>MANUAL SEC.</td> <td>3</td> <td>PAGE</td> <td>105</td> </tr> <tr> <td>31668 B2</td> <td>PART NO'S ADDED</td> <td>GO JT</td> <td>DR. BY DON MALKIN</td> <td>CHECKED</td> <td>JAMES</td> <td></td> <td></td> <td></td> <td></td> <td></td> </tr> <tr> <td>42648 A</td> <td>WAS EXC. J52, J55</td> <td>DE JT</td> <td></td> <td>APPR.</td> <td>J. J. [signature]</td> <td>SERIES</td> <td>A-B-C</td> <td>PART NO.</td> <td colspan="2">402918</td> </tr> </table>										82266 C	REVISED	REV. JT	DATE DEC. 12, 1967	FIRST USED	1969	OLDSMOBILE PRODUCT INFORMATION MANUAL	MANUAL SEC.	3	PAGE	105	31668 B2	PART NO'S ADDED	GO JT	DR. BY DON MALKIN	CHECKED	JAMES						42648 A	WAS EXC. J52, J55	DE JT		APPR.	J. J. [signature]	SERIES	A-B-C	PART NO.	402918	
82266 C	REVISED	REV. JT	DATE DEC. 12, 1967	FIRST USED	1969	OLDSMOBILE PRODUCT INFORMATION MANUAL	MANUAL SEC.	3	PAGE	105																																
31668 B2	PART NO'S ADDED	GO JT	DR. BY DON MALKIN	CHECKED	JAMES																																					
42648 A	WAS EXC. J52, J55	DE JT		APPR.	J. J. [signature]	SERIES	A-B-C	PART NO.	402918																																	
DATE	SYM	REVISION	DR. CK.	DATE	SYM	REVISION	DR. CK.	DATE	SYM	REVISION																																

USAGE STEERING KNUCKLE ASSEMBLIES			
CODE	STEERING	MODEL	PART NO.
OE	POWER	54, 64, 66 84 & 86 WITH JL2	402596-R. 402597-L.
OH	MANUAL	54, 64, 66 WITH J55	404842-R. 404843-L.
OG	POWER	54, 64, 66 84, 86 WITH J55	404844-R. 404845-L.
OM		ALL F-85 WITH JL2 (EXCEPT W46)	402052-R. 402053-L.
OU		ALL F-85 WITH JL2 & W46	405980-R. 405981-L.

(C)
(B)
(F)
(G)
(B) (E) (J)
(D)
(H)

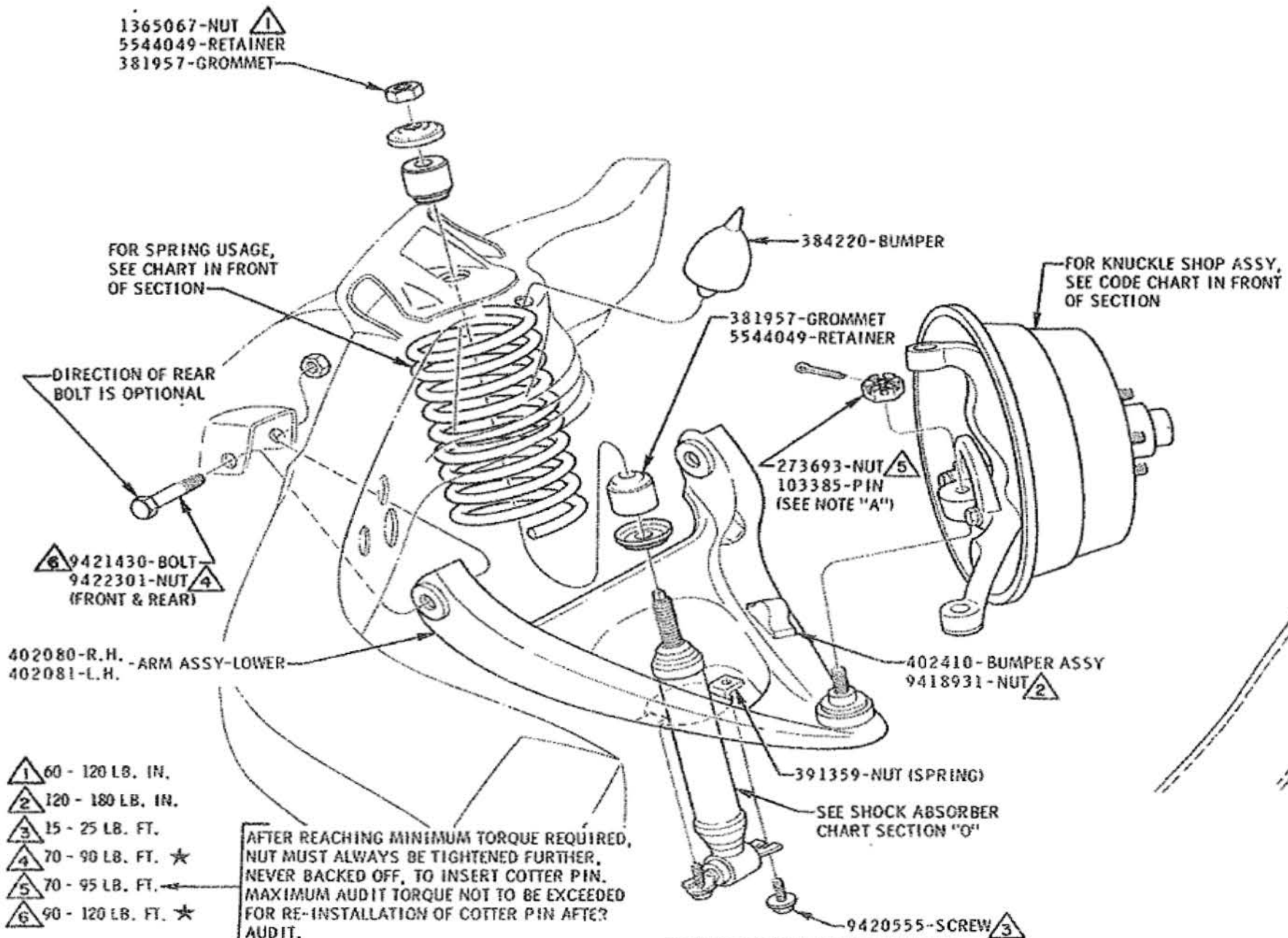


STICKER TO BE
INSTALLED ON THIS
SURFACE OF CALIPER
WHEN SHOP ASSY
IS COMPLETED.

(A) JL2, J55

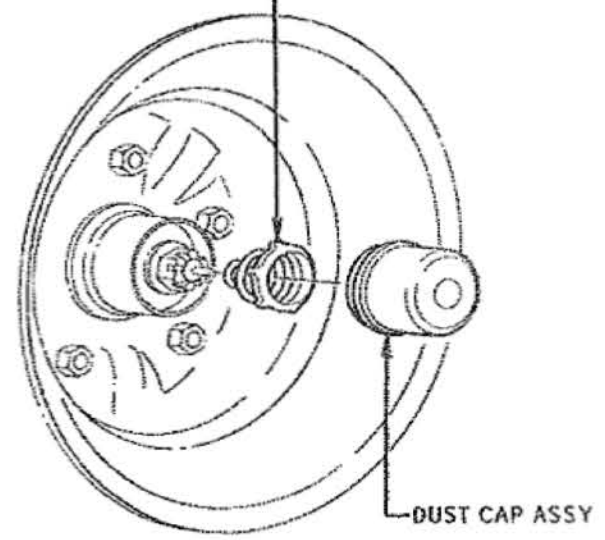
SHEET 2

DATE	SYM	REVISION	DR.	CK.	DATE	SYM	REVISION	DR.	CK.	DATE	SYM	REVISION	DR.	CK.	APPR.	TITLE	CHART - KNUCKLE SHOP ASSEMBLY CODE	FIRST USED	OLDSMOBILE PRODUCT INFORMATION MANUAL	MANUAL SEC.	PAGE	SERIES	PART NO.
2-19-69	J	(EXCEPT W46) ADDED	KL	JA	8-19-68	E	MODEL USAGE REVISED	RY	JA	DEC 9 1967						DATE	1969		3	106	A-B-C	402918	
2-19-69	H	405980-1 ADDED	KL	JA	8-19-68	C	402589-9 REMOVED	RY	JA							DR. BY	B. SCHMIDT						
10-29-68	G	WAS 402600-1	KL	JA	12-6-68	B2	MODEL USAGE REVISED	RY	JA							CHECKED	J. Ames						
10-29-68	F	WAS 402598-9	KL	JA	12-6-68	A	WAS J52, J55	RY	JA							APPR.	J. B. Schmitt						

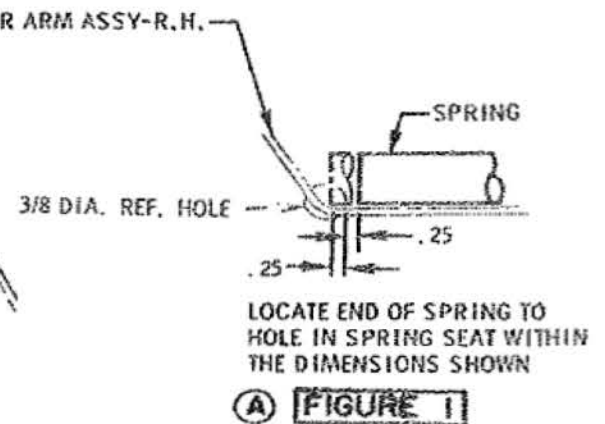
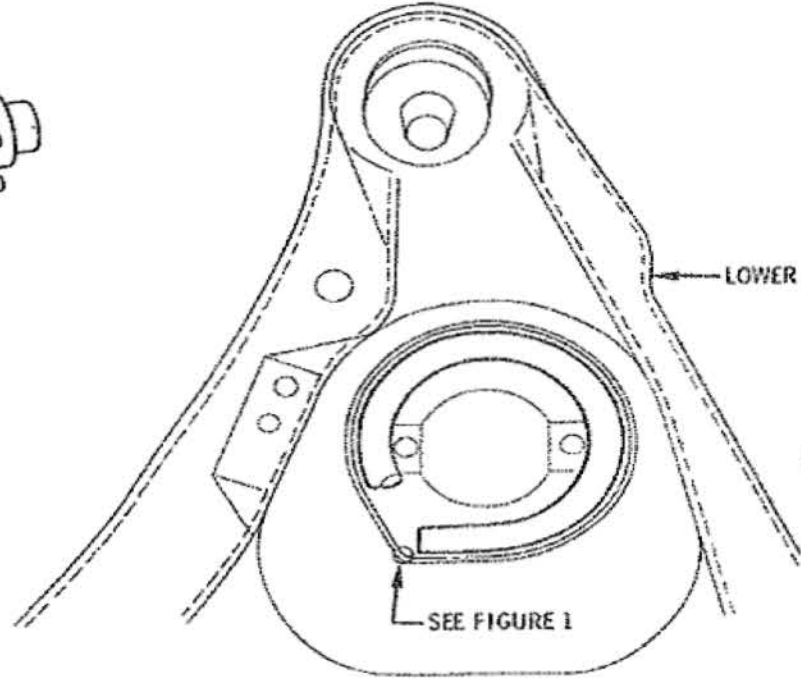


381082-COLLECTOR ASSY-STATIC-R. & L.

REMOVE DUST CAP ASSY FROM BOTH FRONT WHEEL HUBS AND FORCE STATIC COLLECTOR ASSY INTO CAP ASSY TO INSURE PROPER GROUNDING



STATIC COLLECTOR ASSY INSTALLATION (FOR CARS WITH RADIO ONLY)



- 1 60 - 120 LB. IN.
- 2 120 - 180 LB. IN.
- 3 15 - 25 LB. FT.
- 4 70 - 90 LB. FT. ★
- 5 70 - 95 LB. FT.
- 6 90 - 120 LB. FT. ★

AFTER REACHING MINIMUM TORQUE REQUIRED, NUT MUST ALWAYS BE TIGHTENED FURTHER, NEVER BACKED OFF, TO INSERT COTTER PIN. MAXIMUM AUDIT TORQUE NOT TO BE EXCEEDED FOR RE-INSTALLATION OF COTTER PIN AFTER AUDIT.

SPRING SHOULD BE USED EITHER LOW RANGE ON BOTH SIDES OF CAR OR HIGH RANGE ON BOTH SIDES

VIEW SHOWING RELATIONSHIP OF SPRING TO SPRING SEAT

NOTE "A":
COTTER PIN MUST NOT BE BENT OVER LOWER BALL JOINT STUD. BEND DOWN OR TO SIDE. (NECESSARY FOR SPEEDOMETER CABLE CLEARANCE).

★ TORQUE NUTS OR BOLT HEADS AT ASSEMBLY WHILE CAR IS AT CURB LOAD HEIGHT. ANY RETORQUE SUBSEQUENT TO THE INITIAL APPLICATION MUST BE APPLIED TO THE SAME END AS TORQUED INITIALLY.

TITLE LOWER ARM, SPRING, SHOCK AND KNUCKLE SHOP ASSEMBLY												
DATE JANUARY 10, 1968					FIRST USED 1969			OLDSMOBILE PRODUCT INFORMATION MANUAL		MANUAL SEC. 3		PAGE 111
DR. BY 130YER					CHECKED <i>M. Barnhart</i>			REF. 3A 3F		SERIES B-C		PART NO. 401901
DATE 12-16-68					A. FIGURE 1 ADDED			APPR. <i>K. W. G.</i>		35058, 59, 63		
DATE	SYM	REVISION	DR.	CK.	DATE	SYM	REVISION	DR.	CK.	APPR.		



SECTION 4 REAR SUSPENSION

100	CHARTS
110	PROPELLER SHAFT
111	REAR SUSPENSION COMPONENTS
115	SUPERLIFT SHOCK ABSORBERS

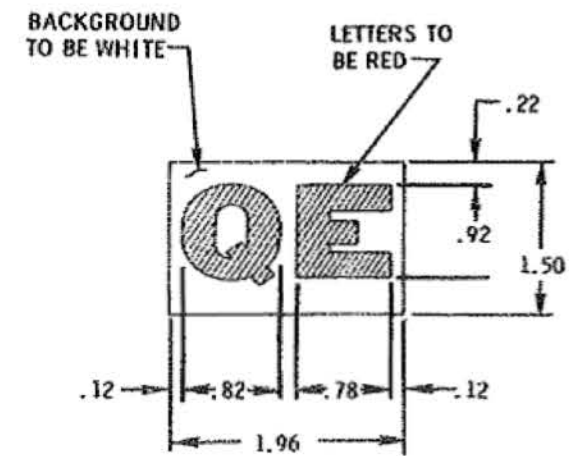
OLDSMOBILE DIVISION

GENERAL MOTORS CORPORATION
LANSING — MICHIGAN

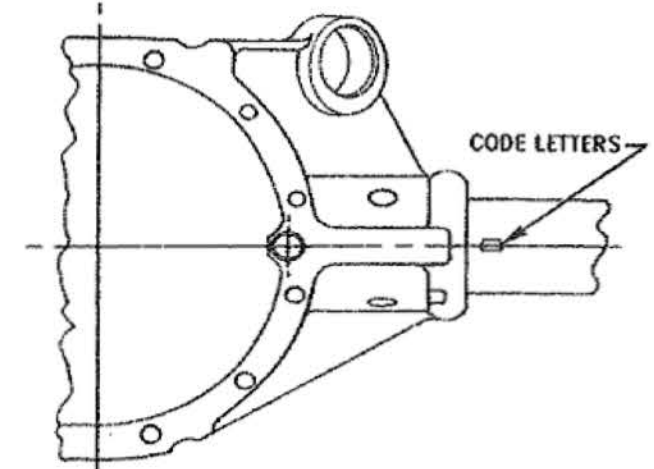
R. CARROLL, INC. 4876

STANDARD TYPE DIFFERENTIAL

SERIES & EQUIP.	ⓐ AXLE ASSY	CODE	GEAR RATIO	GEARS	ⓐ AXLE SUB ASSY	DIFF. CARRIER ASSY	AXLE SHAFT ASSY	BRAKE ASSY LH - RH ⓐ	DRUM ASSY BRAKE
	LAYOUT 403309 (W/350 ENG. 402656 (W/455 ENG.)				CHART 406396 (W/350 ENG.) 406401 (W/455 ENG.)	CHART 402641 (W/350 ENG.) 394838 (W/455 ENG.)	CHART 400741		
- WITH 350 CU. IN. ENGINES -									
35400 ⓓ	406409	RA	2.78	39:14	406397	402643	400745	5469336	M. W. 398466-RH 398467-LH OR K. H. 406167 ⓔ
	406410	RE	3.23	42:13	406398	402645		5469337	
- WITH 455 CU. IN. ENGINES -									
35400, 64, 66 EXC. J55 38400, 86 WITH JL2 ⓑ	406413	QC	2.56	41:16	406405	398547	400743	5469336	M. W. 398466-RH 398467-LH OR K. H. 406167 ⓔ
	406414	QI	2.93	41:14	406406	394840		5469337	
35400, 64, 66 WITH J55 38400, 86 EXC. JL2 ⓑ	406415	QQ	2.56	41:16	406405	398547	400743	5469338	M. W. 398468-RH 398469-LH
	406416	QU	2.93	41:14	406406	394840		5469339	
39800 ⓕ	406416	QU	2.93	41:14	406406	394840	400743	5469338 5469339	M. W. 398468-RH 398469-LH



TYPICAL TAPE IDENTIFICATION



LOCATION OF CODE LETTERS

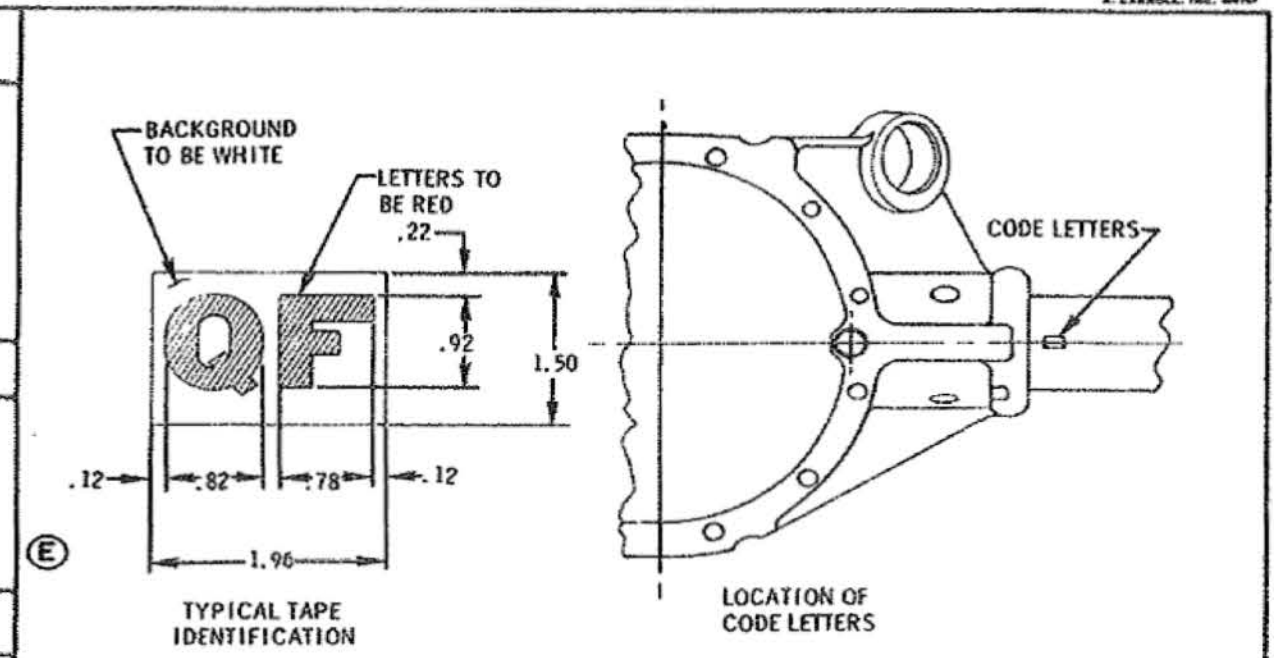
THE FOLLOWING LIST OF COMPONENT PARTS ARE REQUIRED FOR USE IN CONJUNCTION WITH AXLE SUB ASSEMBLY (***) OF SELECTED RATIO FROM THE CHART TO COMPLETE AXLE ASSEMBLY FOR USE ON PRODUCTION LINE OR ASSEMBLY PLANTS.

PART NO.	QUANTITY	DESCRIPTION
(**)	1	AXLE SUB ASSEMBLY - REAR - (SELECT RATIO FROM CHART)
SEE CHART	1	BRAKE ASSEMBLY-R. - REAR
SEE CHART	1	BRAKE ASSEMBLY-L. - REAR
403082	2	CABLE ASSEMBLY - REAR PARKING BRAKE
396471	2	GASKET - WHEEL BEARING
SEE CHART	2	SHAFT ASSEMBLY - AXLE
414999	8	BOLT - BRAKE TO AXLE
2474997	8	NUT - BRAKE TO AXLE
SEE CHART	2	DRUM ASSEMBLY - REAR - (MOTOR WHEEL)
516637	2	NUT - DRUM TO AXLE (GMAD PLANTS)
554544	4	NUT (SPRING) - DRUM TO AXLE (LANSING PLANT)
3820840	1	VENT ASSEMBLY - REAR AXLE

SHEET 2

										82269 E2	406167 ADDED	C	CG/JA	TITLE CHART - REAR AXLE USAGE								
										82268 D	3.08 RATIO REMOVED	CG/JA	DATE	DEC. 12, 1967	FIRST USED	1969	OLDSMOBILE PRODUCT INFORMATION MANUAL	MANUAL SEC.	4	PAGE	106	
										82268 C	BRAKE ASSY NOS REV.	82/JA	DR. BY	GALE GRAY	CHECKED	J. P. [Signature]	REF.	SERIES	B-C	PART NO.	402655	
										APPROX G2	AXLE NUMBERS REV.	15/JA	3-19-68	B2	USAGE REVISED	15/JA	APPR.	J. P. [Signature]				
										42-69 F	39800 SERIES ADDED	16/JA	2-28-68	A	REVISED							
DATE	SYM	REVISION	DR.	CK.	DATE	SYM	REVISION	DR.	CK.	DATE	SYM	REVISION	DR.	CK.	APPR.							

LIMITED SLIP TYPE DIFFERENTIAL									
SERIES & EQUIP.	Ⓒ AXLE ASSY	CODE	GEAR RATIO	GEARS	Ⓒ AXLE SUB ASSY	DIFF. CARRIER ASSY	AXLE SHAFT ASSY	BRAKE ASSY LH - RH Ⓒ	DRUM ASSY BRAKE
	LAYOUT 403309 W/350 ENG. 402656 (W/455 ENG.)				CHART 406396 (W/350 ENG.) 406401 (W/455 ENG.)	CHART 402641 (W/350 ENG.) 394838 (W/455 ENG.)	CHART 400741		
- WITH 350 CU. IN. ENGINES -									
35400 Ⓓ	406411	RB	2.78	39:14	406399	402649	400745	5469336 5469337	M. W. 398466-RH 398467-LH OR K. H. 406167
	406412	RF	3.23	42:13	406400	402651			
- WITH 455 CU. IN. ENGINES -									
35400, 64, 66 EXC. J55 38400, 86 WITH JL2 Ⓑ	406417 406418	QD QJ	2.56 2.93	41:16 41:14	406407 406408	398590 394879	400743	5469336 5469337	M. W. 398466-RH 398467-LH OR K. H. 406167
	35400, 64, 66 WITH J55 38400, 86 EXC. JL2 Ⓑ	406419 406420	QR QV	2.56 2.93	41:16 41:14	406407 406408	398590 394879		
39800 Ⓕ	406420	QV	2.93	41:14	406408	394879	400743	5469338 5469339	M. W. 398468-RH 398469-LH



Ⓔ THE FOLLOWING LIST OF COMPONENT PARTS ARE REQUIRED FOR USE IN CONJUNCTION WITH AXLE SUB ASSEMBLY (**) OF SELECTED RATIO FROM THE CHART TO COMPLETE AXLE ASSEMBLY FOR USE ON PRODUCTION LINE OR ASSEMBLY PLANTS.

PART NO.	QUANTITY	DESCRIPTION
(**)	1	AXLE SUB ASSEMBLY - REAR - (SELECT RATIO FROM CHART)
SEE CHART	1	BRAKE ASSEMBLY-R. - REAR
SEE CHART	1	BRAKE ASSEMBLY-L. - REAR
403082	2	CABLE ASSEMBLY - REAR PARKING BRAKE
396471	2	GASKET - WHEEL BEARING
SEE CHART	2	SHAFT ASSEMBLY - AXLE
414999	8	BOLT - BRAKE ASSEMBLY TO AXLE
2474997	8	NUT - BRAKE ASSEMBLY TO AXLE
SEE CHART	2	DRUM ASSEMBLY - REAR - (MOTOR WHEEL)
516637	2	NUT - DRUM TO AXLE (GMAD PLANTS)
554544	4	NUT (SPRING) - DRUM TO AXLE (LANSING PLANT)
3820840	1	VENT ASSEMBLY - REAR AXLE

										TITLE		CHART - REAR AXLE USAGE		
										DATE DEC. 14, 1967		FIRST USED 1969		
										DR. BY DON MALKIN		OLDSMOBILE PRODUCT INFORMATION MANUAL		
										CHECKED J. R. [Signature]		MANUAL SEC. 4 PAGE 107		
										APPR. J. R. [Signature]		SERIES B-C PART NO. 402655		
DATE	SYM	REVISION	DR. CK.	DATE	SYM	REVISION	DR. CK.	DATE	SYM	REVISION	DR. CK.	DATE	SYM	REVISION

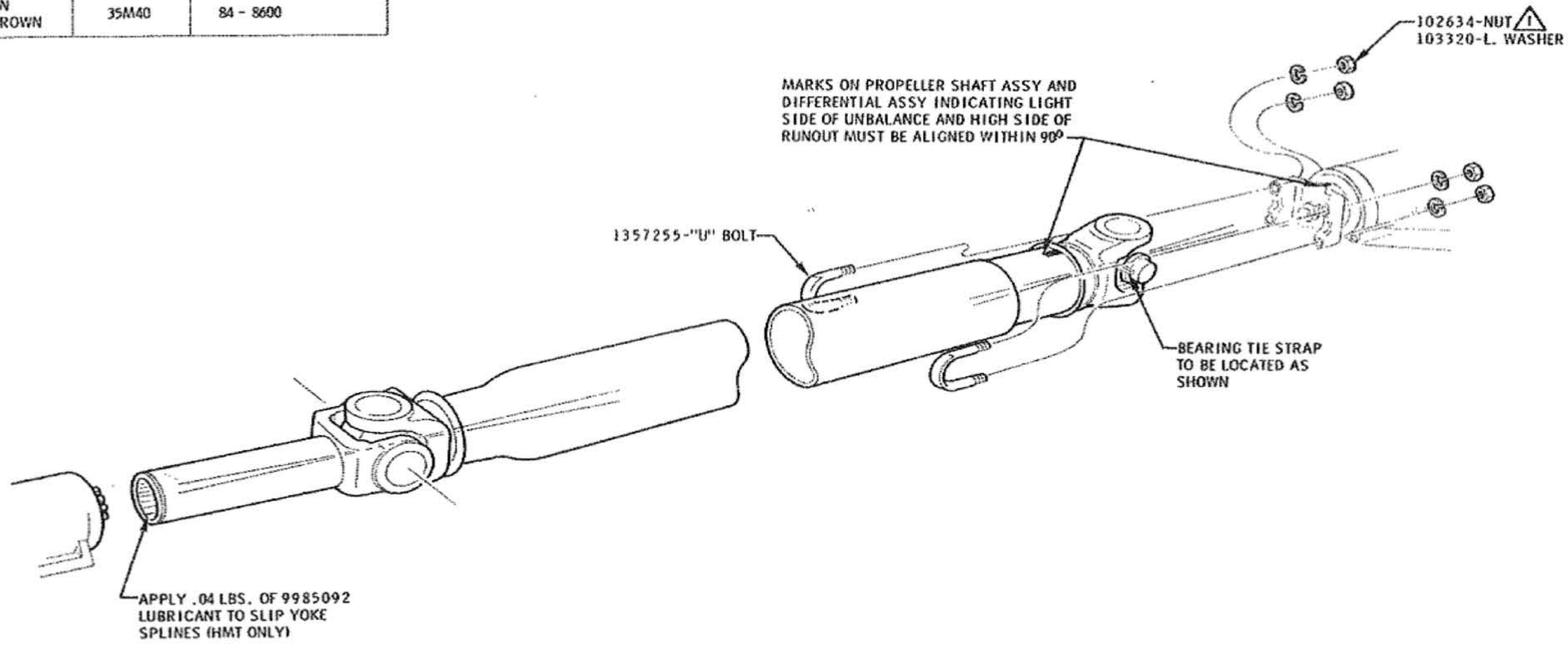
OLDSMOBILE DIVISION

GENERAL MOTORS CORPORATION
LANSING — MICHIGAN

W. CARROLL, INC. #727

PROPELLER SHAFT ASSEMBLY USAGE		
SHAFT ASSEMBLY - CODE	TRANS.	USAGE
7804855-(2) YELLOW	SMT	5400 (EXC. 35L30)
7806816-(1) BLUE, (1) PINK	SMT	64 - 6600 5400 (WITH 35L30)
7804854-(1) WHITE, (1) YELLOW	35M31	5400
7803980-(2) BLACK	35M40	5400 (EXC. 35L30, L31)
5699785-(1) RED, (1) PURPLE 396376-(OPTIONAL)	35M40	5400 (WITH 35L30, L31) 64 - 6600
	35M41	54 - 64 - 6600 (WITH 35L32)
7803842-(1) WHITE, (1) BROWN 396377-(OPT) (1) WHITE, (1) BROWN	35M40	84 - 8600

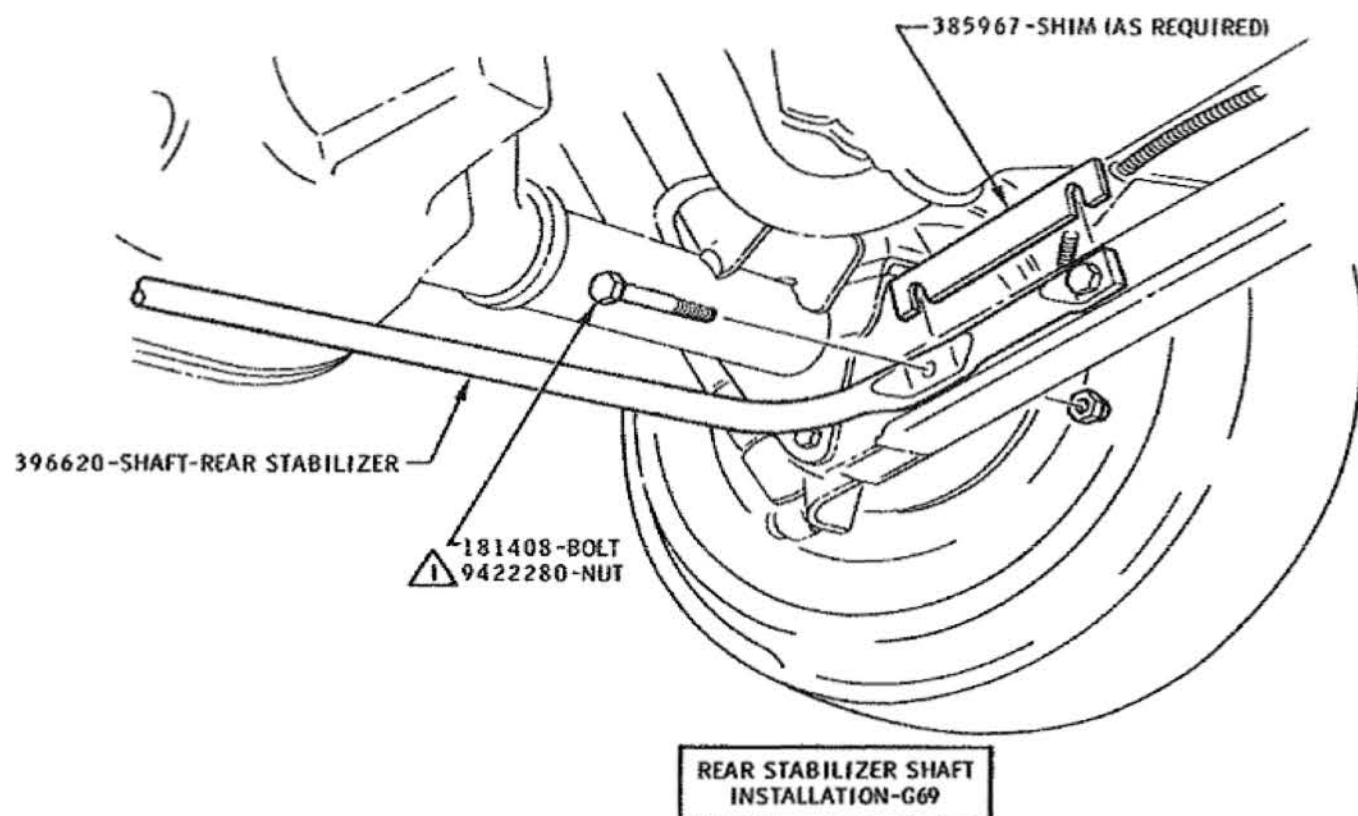
(A)



⚠ 12 - 16 LB. FT

(B)

TITLE										PROPELLER SHAFT		
						DATE	DECEMBER 18, 1967	FIRST USED	1969	OLDSMOBILE PRODUCT INFORMATION MANUAL	MANUAL SEC.	PAGE
						DR. BY	BOYER			4	110	
						CHECKED	MIS arnhart	REF. 444	SERIES	B-C	PART NO.	401901
						APPR.	MIS	35L30				
						DR. CK.	APPR. CMC 1124/68	35M40, M41				
DATE	SYM	REVISION	DR.	CK.	DATE	SYM	REVISION	DR.	CK.	DATE	SYM	REVISION
					6/3/69	B	NOTE REMOVED	J13	BY			
					5-3-68	A	CHART REVISED	J13	MIS			



⚠ 45 - 55 LB. FT.

										TITLE		REAR SUSPENSION				
										DATE	DECEMBER 27, 1967	FIRST USED	1969	OLDSMOBILE PRODUCT INFORMATION MANUAL	MANUAL SEC.	PAGE
										DR. BY	CURT MAY				4	112
										CHECKED	<i>[Signature]</i>	REF.	35669	SERIES	B-C	PART NO.
										APPR.	<i>[Signature]</i>				401901	
DATE	SYM	REVISION	DR.	CK.	DATE	SYM	REVISION	DR.	CK.	DATE	SYM	REVISION	DR.	CK.	APPR.	DATE

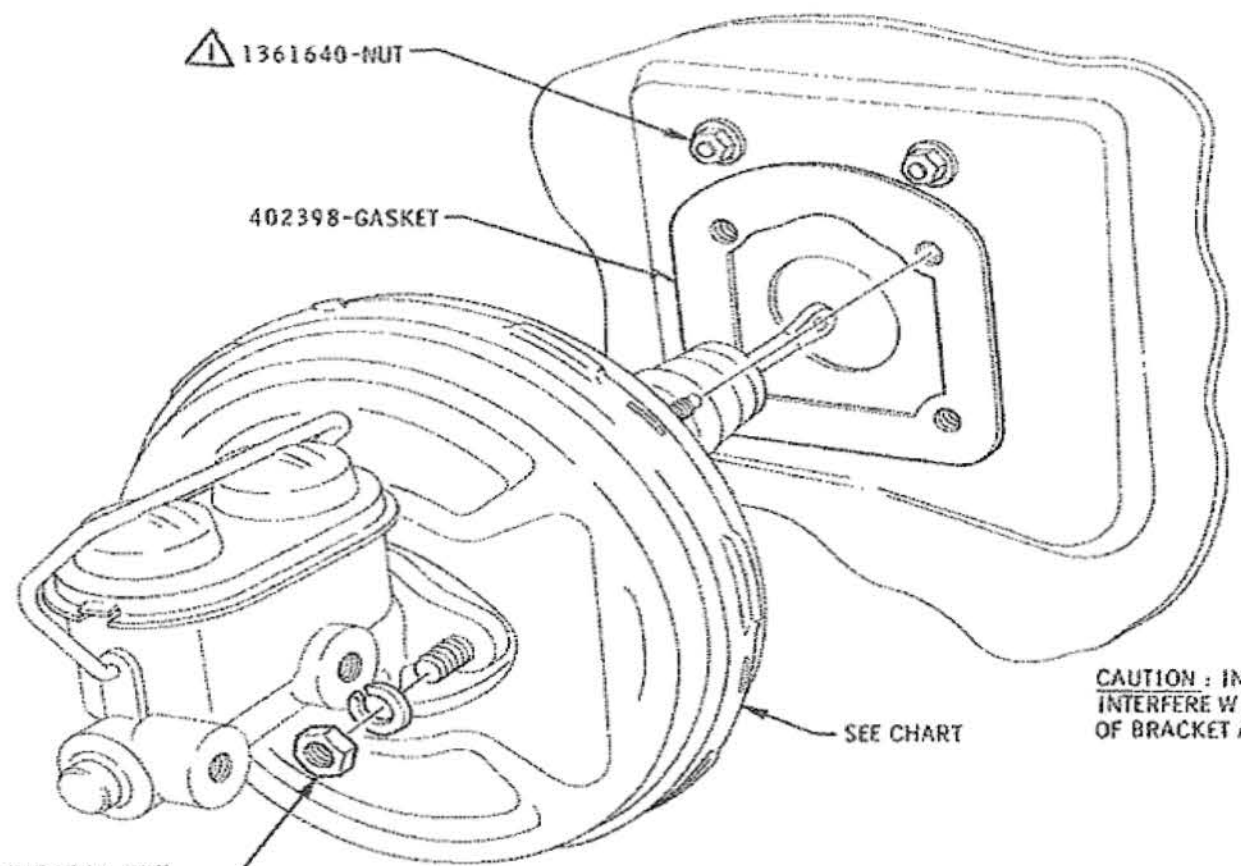


SECTION 5 BRAKE SYSTEM

- 110 BRAKE CYLINDERS AND BRACKETS
- 112 BRAKE PEDALS AND SWITCHES
- 114 BRAKE PIPING
- 115 DISC BRAKES
- 117 PARKING BRAKE

POWER BRAKE CYLINDER CHART (LANSING PLANT)			POWER BRAKE CYLINDER ASSEMBLY CHART (ASSEMBLY PLANTS)	
POWER HEAD ASM	MASTER CYL.	GROUP	POWER CYL. ASM	GROUP
5469347 (CODE RG) ★	5465139 ★	5G	5469346 (CODE RG) ★	35J50
404991 (CODE RG) (OPT) ★★	397979 (OPT) ★★	35J50	404992 (CODE PT) ★★	35JL2
404993 (CODE PT) ★★	397981 ★★	35J55 35JL2		

★ DELCO MORaine
★★ BENDIX

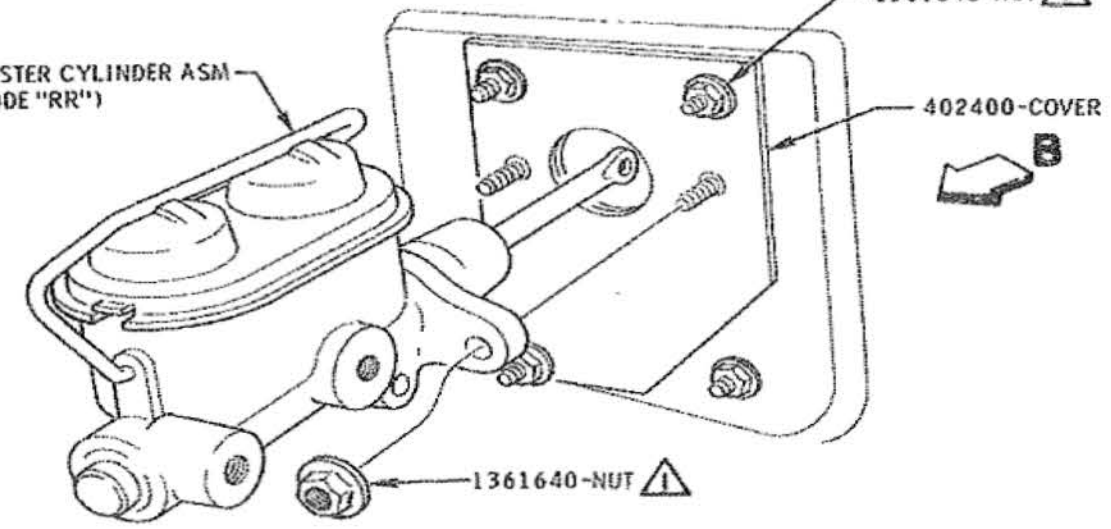


CAUTION: INSULATOR MUST NOT INTERFERE WITH INSTALLATION OF BRACKET ASM TO DASH PANEL.

9418931-NUT
103321-L. WASHER
(LANSING PLANT ONLY)

POWER BRAKE CYLINDER INSTALLATION

5469393-MASTER CYLINDER ASM
(CODE "RR")



MANUAL BRAKE CYLINDER INSTALLATION

20 - 28 LB. FT.

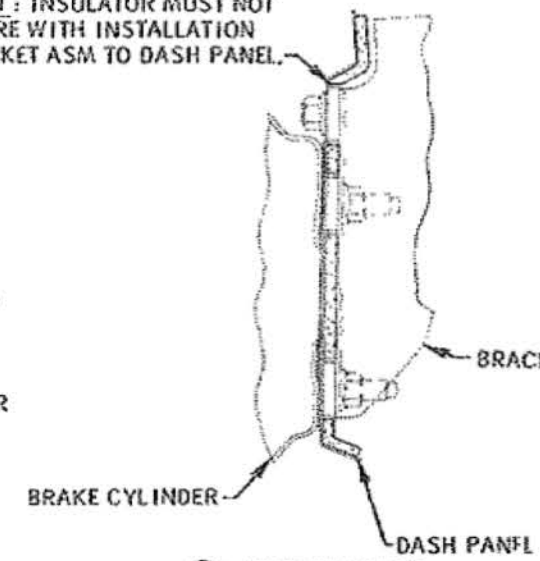
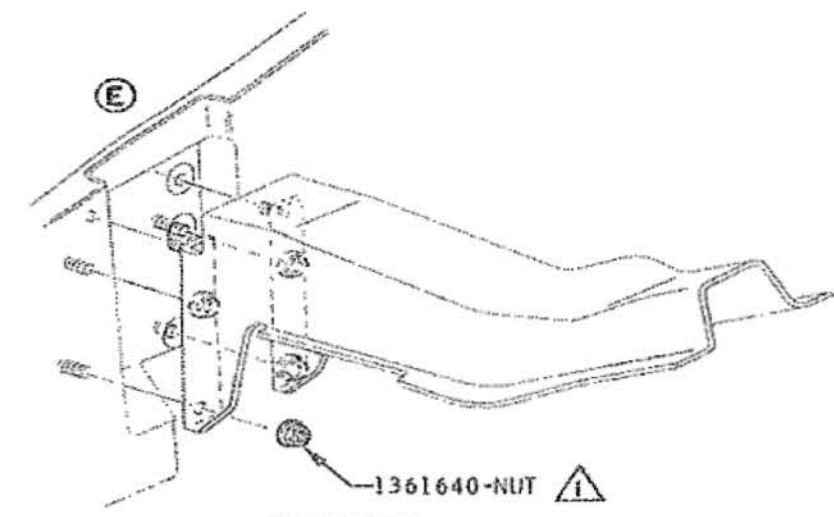
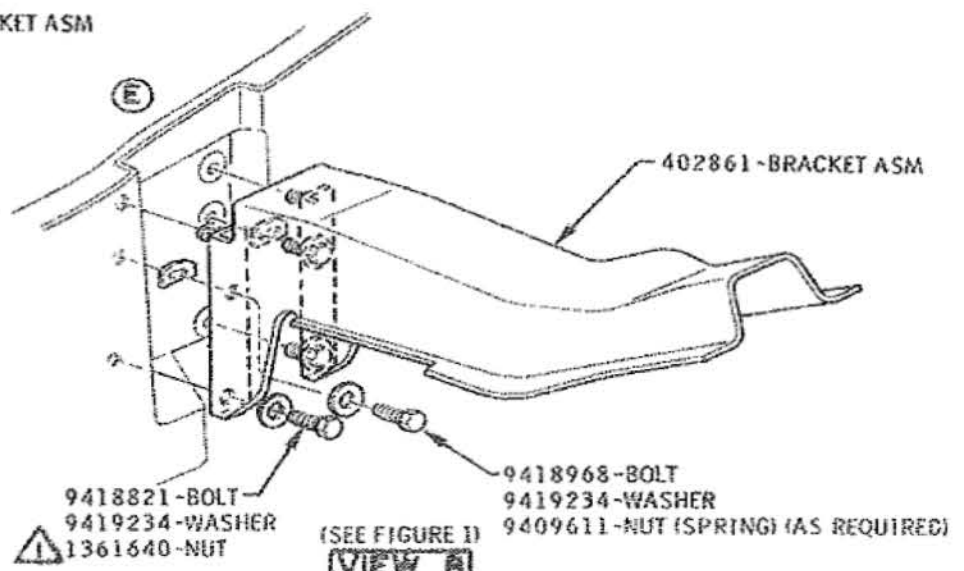


FIGURE 1
POWER BRAKES SHOWN
MANUAL BRAKES SIMILAR

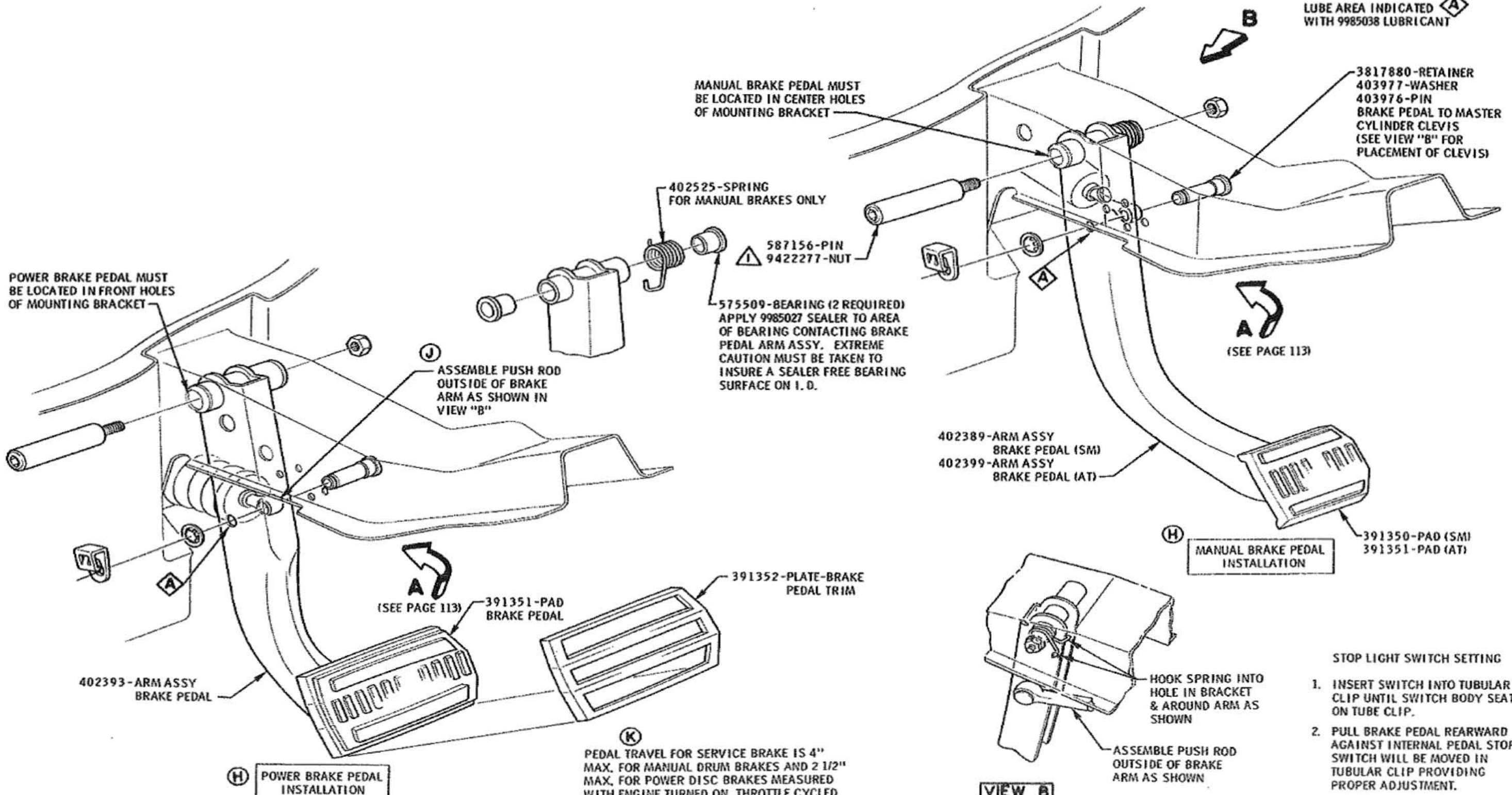


VIEW A



VIEW B

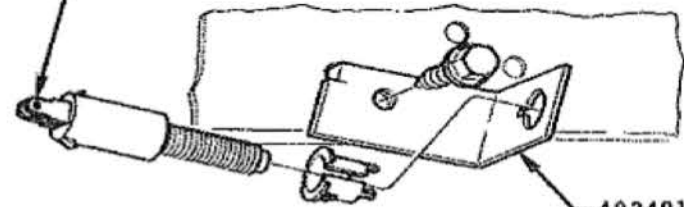
DATE	SYM	REVISION	DR.	CK.	DATE	SYM	REVISION	DR.	CK.	DATE	SYM	REVISION	DR.	CK.	DATE	SYM	REVISION	DR.	CK.	TITLE	FIRST USED	OLDSMOBILE PRODUCT INFORMATION MANUAL	MANUAL SEC.	PAGE
					6-10-68	E	2					BACKGROUND REVISED								CYLINDERS & BRACKET ASSEMBLY				
					5-2-68	D						NOTE ADDED								DATE JANUARY 30, 1968	FIRST USED 1969	5	110	
					5-1-68	C						PART NOS. REVISED								DR BY R.J. HESSLY				
					11-22-68	G						FASTENINGS REVISED								CHECKED MTS Barhart				
					10-15-68	F						FASTENINGS REVISED								APPR. [Signature]	REF. 50-C-6 2520-12-68	B-C	401901	



DATE	SYM	REVISION	DR.	CK.	DATE	SYM	REVISION	DR.	CK.	DATE	SYM	REVISION	DR.	CK.	DATE	SYM	REVISION	DR.	CK.	APPR.	TITLE	FIRST USED	OLDSMOBILE PRODUCT INFORMATION MANUAL	MANUAL SEC.	PAGE
		1-13-69	K				NOTE ADDED	CR	PPS	4-22-68	E-2	BACKGROUND REVISED	PM	PPS							DATE DECEMBER 28, 1967	1969		5	112
		7-1-68	J				NOTE ADDED	CR	PPS	4-6-68	D-3	VIEW RELOCATED	PM	PPS							DR. BY P. J. MAKESKY	36150-152	B-C		
		6-11-68	H2				BACKGROUND REVISED	PM	HV	3-12-68	C	VIEW REVISED	PM	PPS							CHECKED MFBamhart	35M40-91			
		5-10-68	G				403977-WASHER ADDED	PM	PPS	3-11-68	B	NOTE REMOVED	CR	PPS							APPR. J. M. ...				
		5-10-68	F				WAS 402395-PIN	PM	PPS	3-1-68	A2	NOTE ADDED	PM	PPS							APPR. SM-1/23/68				

PART NO. **401901**

1362835-SWITCH ASSY
1383050-SWITCH ASSY (OPT.)
1361699-CLIP
STOP LIGHT



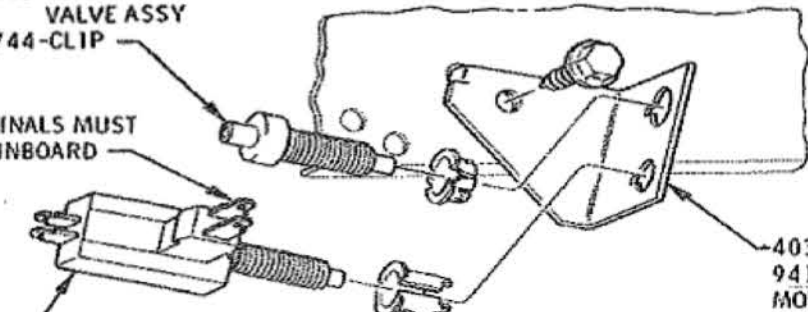
VIEW A
(EXC. 35K30)

402401-BRACKET
9419400-SCREW
MOUNT BRACKET IN FRONT HOLES WITH POWER BRAKES, MOUNT AS SHOWN WITH MANUAL BRAKES

NOTE: SEE PAGE 112 FOR ARROW "A" AND SWITCH SETTING

6465213-VACUUM RELEASE VALVE ASSY
9796744-CLIP

THESE TERMINALS MUST BE FACING INBOARD



403633-BRACKET
9419400-SCREW
MOUNT BRACKET IN FRONT SET OF HOLES

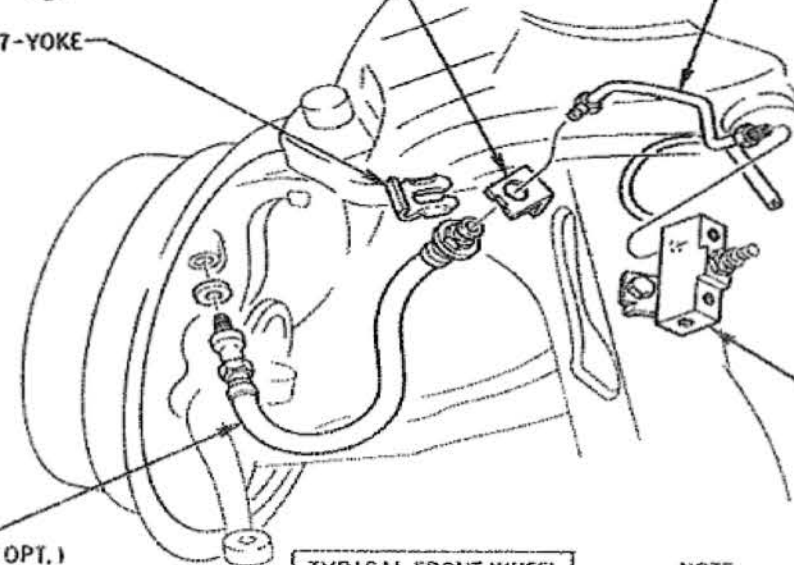
3902264-SWITCH ASSY - STOP LIGHT
1361699-CLIP

VIEW A
(WITH 35K30)

386439-BRACKET (EXC. DISC BRAKES)
9422232-SCREW

476737-YOKE

396945-PIPE ASSY
DIST. TO LEFT FRONT WHEEL



386598-HOSE ASM
9742518-HOSE ASM (OPT.) (EXC. DISC BRAKES)
231343-WASHER

TYPICAL FRONT WHEEL HOSE INSTALLATION
L. H. SHOWN
R. H. SIMILAR
(EXC. DISC BRAKES)

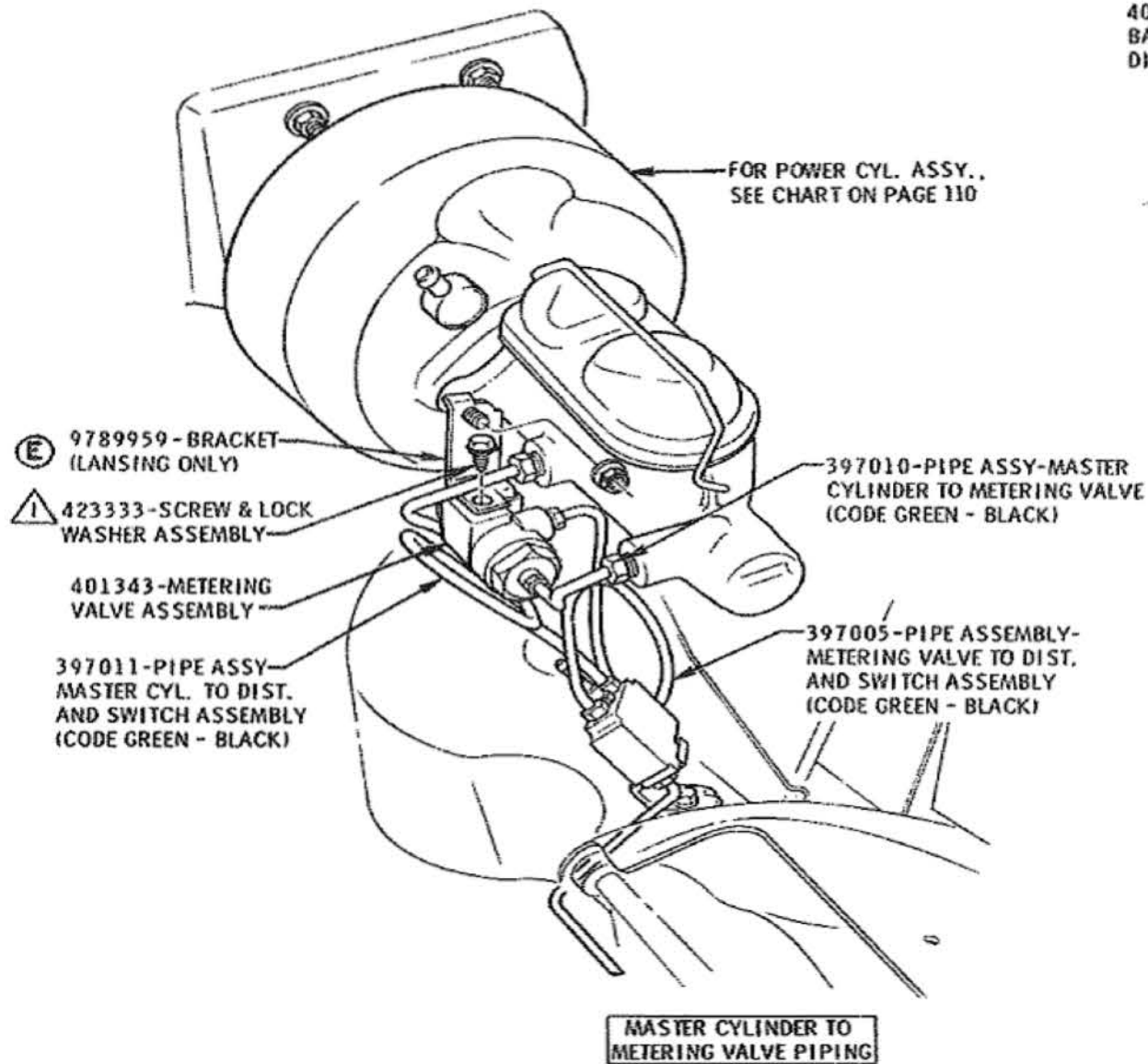
DISTRIBUTOR & SWITCH ASSY

NOTE:

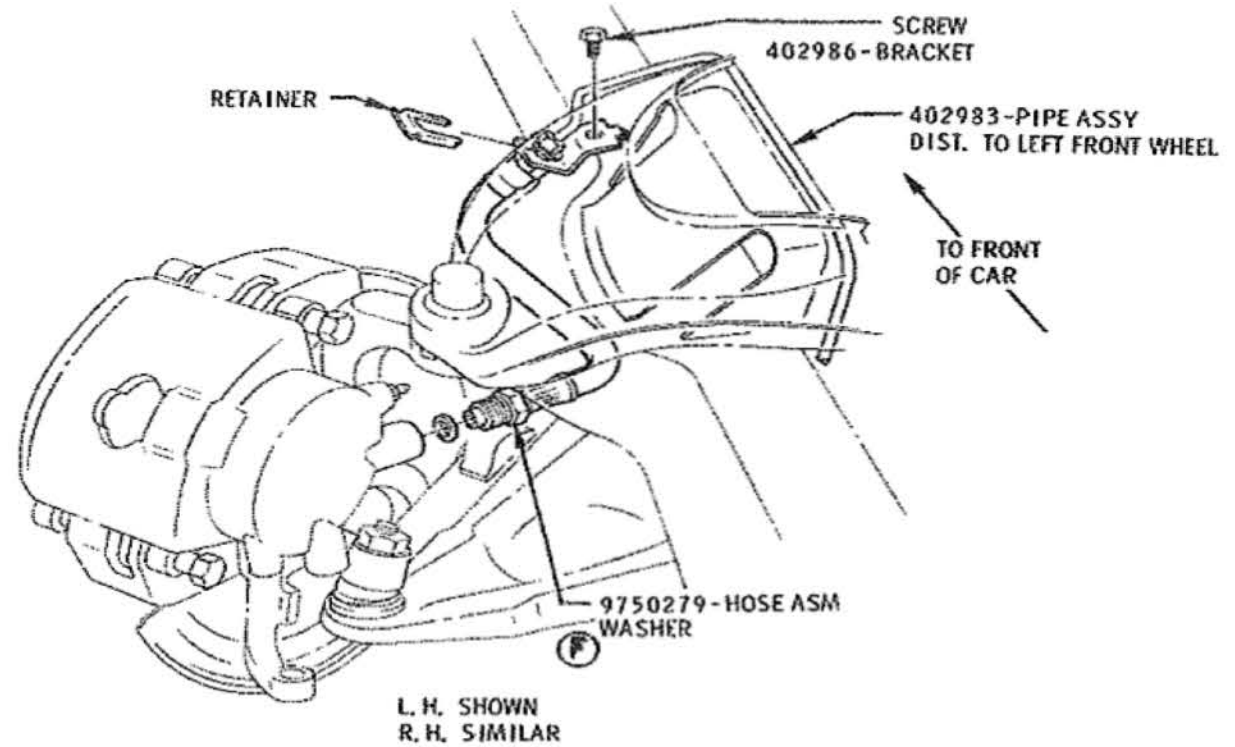
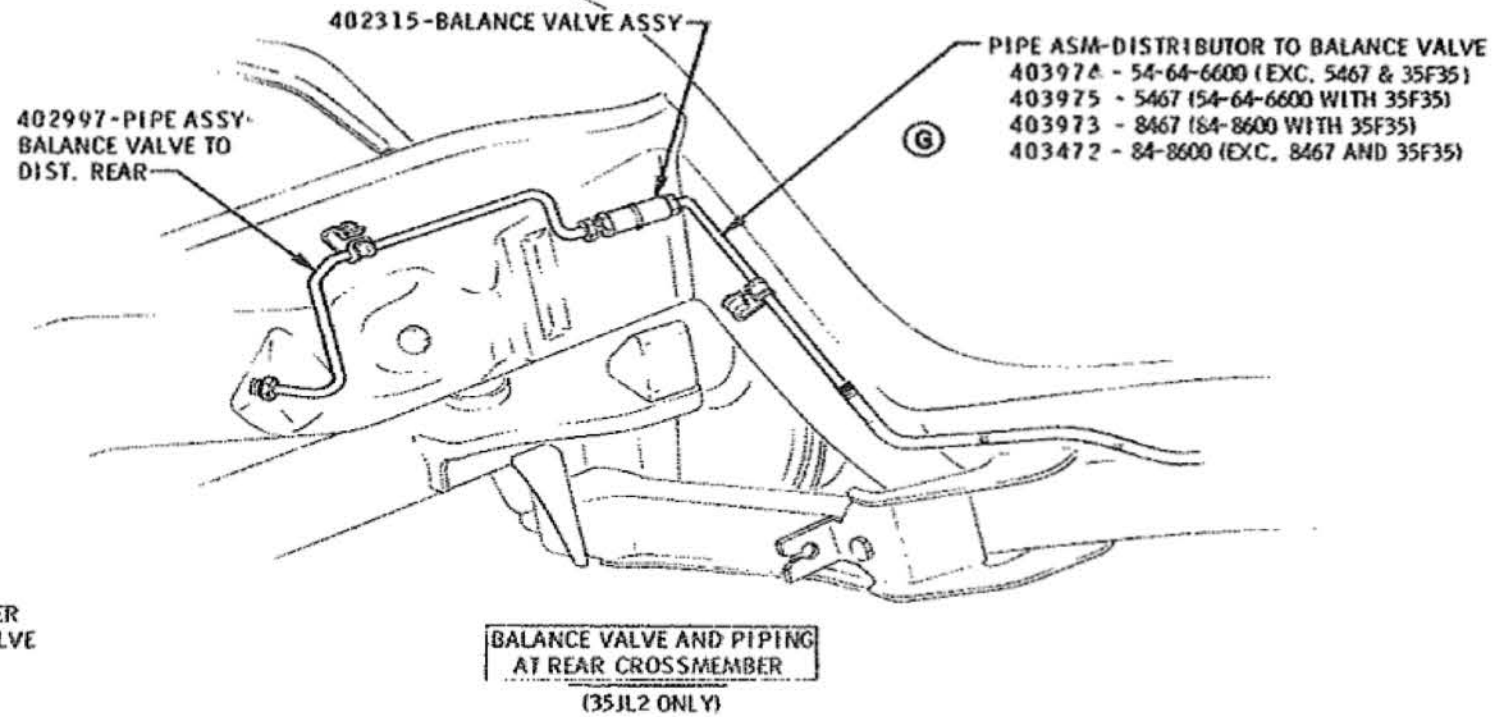
1. ALL BRAKE HOSES MUST BE FREE FROM TWIST WHEN INSTALLED IN FRAME BRACKETS AFTER OPPOSITE END HAS BEEN SECURELY TIGHTENED.
2. FRONT HOSES TO BE CHECKED WITH WHEELS IN STRAIGHT AHEAD POSITION. IF WHEEL END OF HOSE IS RETIGHTENED AFTER INSTALLATION, THEN THE FRAME END MUST BE REPOSITIONED TO ELIMINATE TWIST.

MUST BE FULLY DRIVEN, SEATED AND NOT STRIPPED

DATE	SYM	REVISION	DR.	CK.	DATE	SYM	REVISION	DR.	CK.	DATE	SYM	REVISION	DR.	CK.	DATE	SYM	REVISION	DR.	CK.	APPR.	TITLE	DATE	FIRST USED	OLDSMOBILE PRODUCT INFORMATION MANUAL	MANUAL SEC.	PAGE
																					STOP LAMP SWITCHES & FRONT WHEEL HOSE	DECEMBER 28, 1967	1969		5	113
					3-8-69	B	NOTE REVISED																			
					1-27-69	A	TORQUE REVISED																5K 12E			
																								B-C	401901	



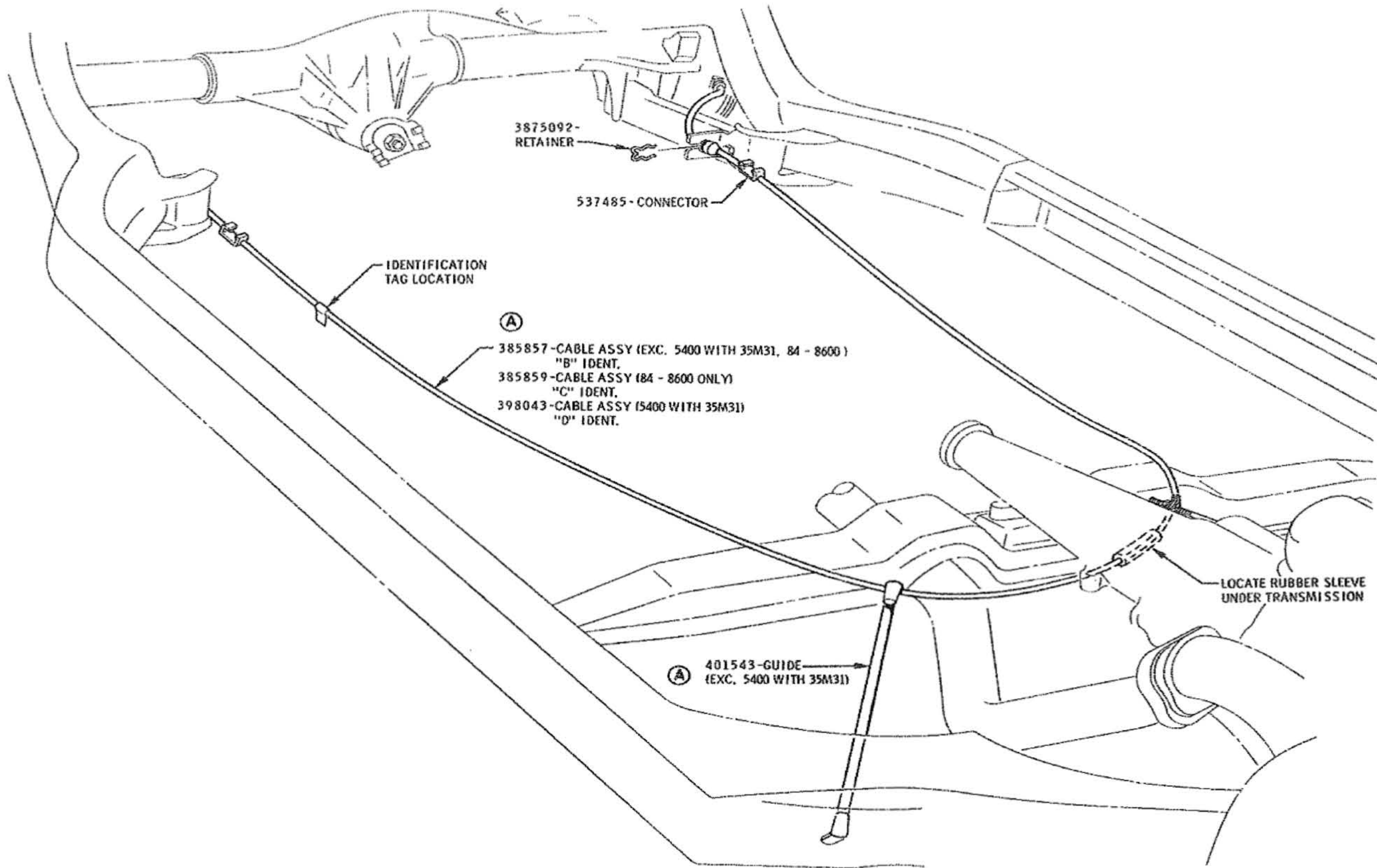
POWER AND MASTER CYLINDER INSTALLATION AND FASTENINGS SAME AS 35J50 SHOWN ON PAGE 110



△60 - 96 LB. IN.

BALANCE OF INFORMATION SAME AS STANDARD CAR

DATE	SYM	REVISION	DR.	CK.	DATE	SYM	REVISION	DR.	CK.	DATE	SYM	REVISION	DR.	CK.	APPR.	APPR.	FIRST USED	OLDSMOBILE PRODUCT INFORMATION MANUAL	MANUAL SEC.	PAGE	SERIES	PART NO.	
					11-18-68	E	WAS 136255B BRACKET	J13	MYB				J13	MYB									
					9-10-68	D	PART NO. REVISED	J13	MYB				J13	MYB			APRIL 5, 1968						
					8-20-68	C	USAGE REVISED	J13	MYB				J13	MYB									
					3-5-69	G	USAGES REVISED	J13	MYB				J13	MYB									
					2-18-69	F	WASHER ADDED	J13	MYB				J13	MYB									
																	1969		5				
																	35J55						
																	35JL2						
																		B-C				401901	



3875092-
RETAINER

537485-CONNECTOR

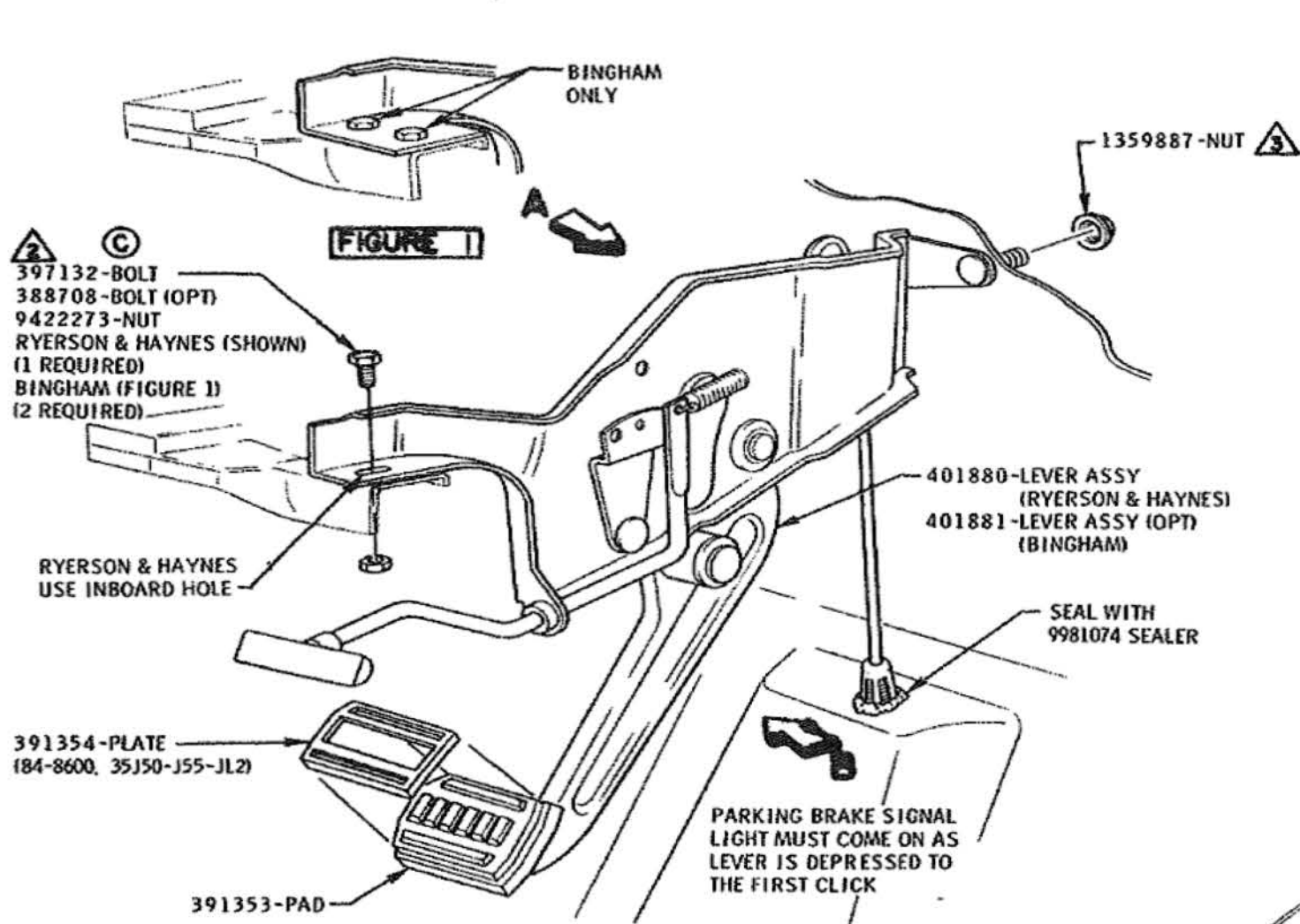
IDENTIFICATION
TAG LOCATION

Ⓐ
385857 - CABLE ASSY (EXC. 5400 WITH 35M31, 84 - 8600)
"B" IDENT.
385859 - CABLE ASSY (84 - 8600 ONLY)
"C" IDENT.
398043 - CABLE ASSY (5400 WITH 35M31)
"D" IDENT.

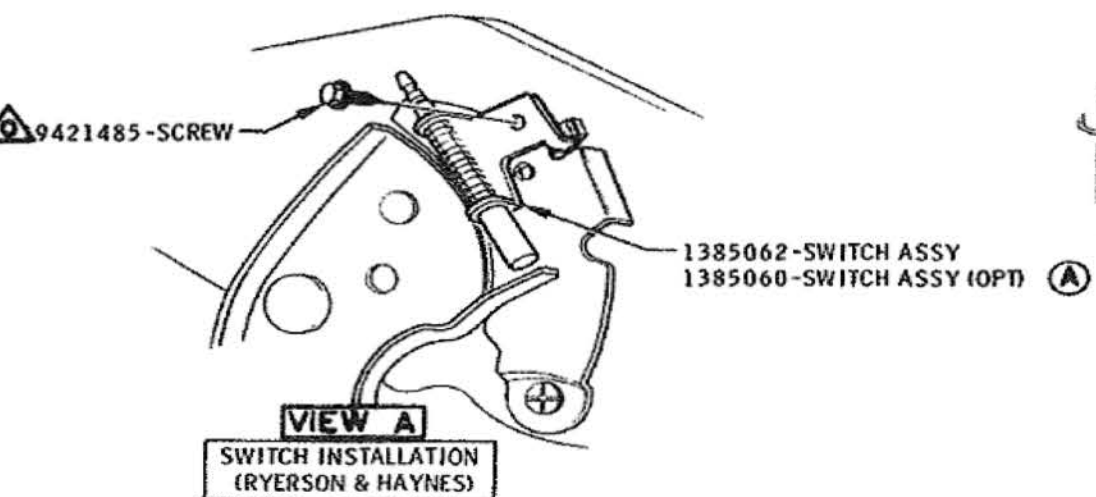
LOCATE RUBBER SLEEVE
UNDER TRANSMISSION

Ⓐ 401543 - GUIDE
(EXC. 5400 WITH 35M31)

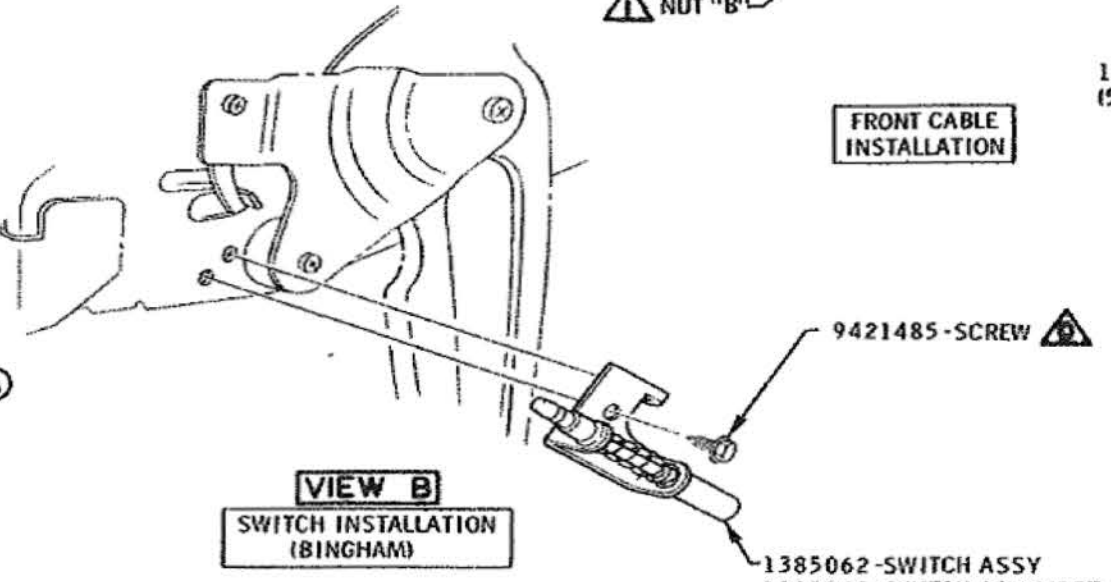
												TITLE REAR PARKING BRAKE CABLE		DATE DECEMBER 28, 1967		FIRST USED 1969		OLDSMOBILE PRODUCT INFORMATION MANUAL		MANUAL SEC. PAGE	
												DR. BY P. J. McKESSY		REF. 50		SERIES B-C		PART NO. 401901			
												CHECKED [Signature]		APPR. [Signature]							
												1-6-68 A2		NOTES REVISED							
DATE	SYM	REVISION	DR.	CK.	DATE	SYM	REVISION	DR.	CK.	DATE	SYM	REVISION	DR.	CK.	DATE	SYM	REVISION	DR.	CK.	DATE	SYM



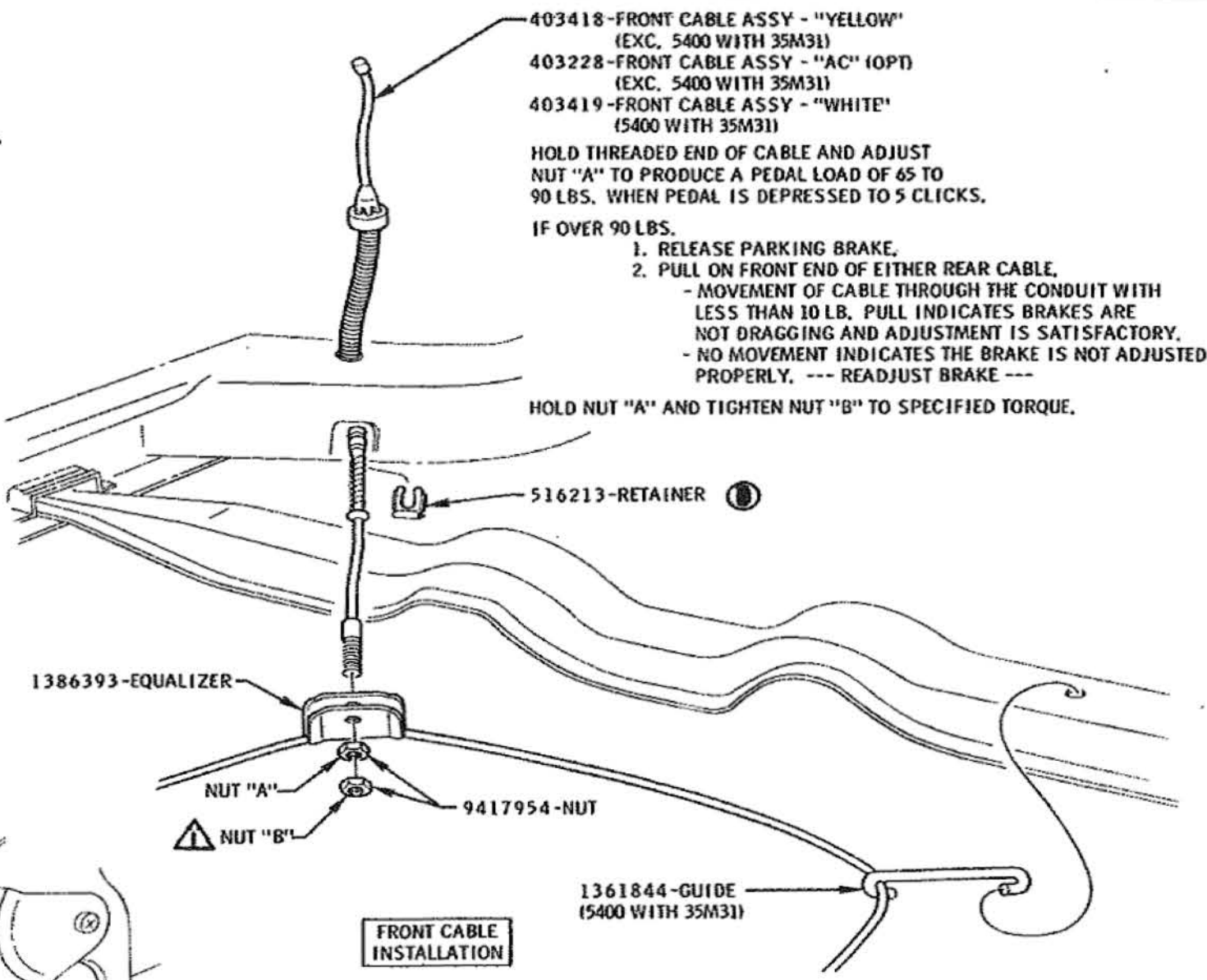
TYPICAL LEVER INSTALLATION



VIEW A
SWITCH INSTALLATION
(RYERSON & HAYNES)



VIEW B
SWITCH INSTALLATION
(BINGHAM)



FRONT CABLE
INSTALLATION

HOLD THREADED END OF CABLE AND ADJUST NUT "A" TO PRODUCE A PEDAL LOAD OF 65 TO 90 LBS. WHEN PEDAL IS DEPRESSED TO 5 CLICKS.
IF OVER 90 LBS.
1. RELEASE PARKING BRAKE,
2. PULL ON FRONT END OF EITHER REAR CABLE.
- MOVEMENT OF CABLE THROUGH THE CONDUIT WITH LESS THAN 10 LB. PULL INDICATES BRAKES ARE NOT DRAGGING AND ADJUSTMENT IS SATISFACTORY.
- NO MOVEMENT INDICATES THE BRAKE IS NOT ADJUSTED PROPERLY. --- READJUST BRAKE ---

- Ⓝ 84 - 120 LB. IN.
- Ⓟ 72 - 108 LB. IN.
- Ⓡ 36 - 72 LB. IN.
- Ⓞ MUST BE FULLY DRIVEN, SEATED AND NOT STRIPPED

TITLE PARKING BRAKE LEVER, SWITCH, AND FRONT CABLE										FIRST USED	OLDSMOBILE PRODUCT	MANUAL SEC.	PAGE	
4-8-69 C WAS 9419565-BOLT & 9419143-NUT										1969	INFORMATION MANUAL	5	118	
2-15-69 B WAS 3875092-RETAINER										REF. 5D 12L	SERIES	PART NO.		
6-18-68 A2 1385060-SWITCH ADDED											B-C	401901		
DATE	SYM	REVISION	DR.	CK.	DATE	SYM	REVISION	DR.	CK.	DATE	SYM	REVISION	DR.	CK.

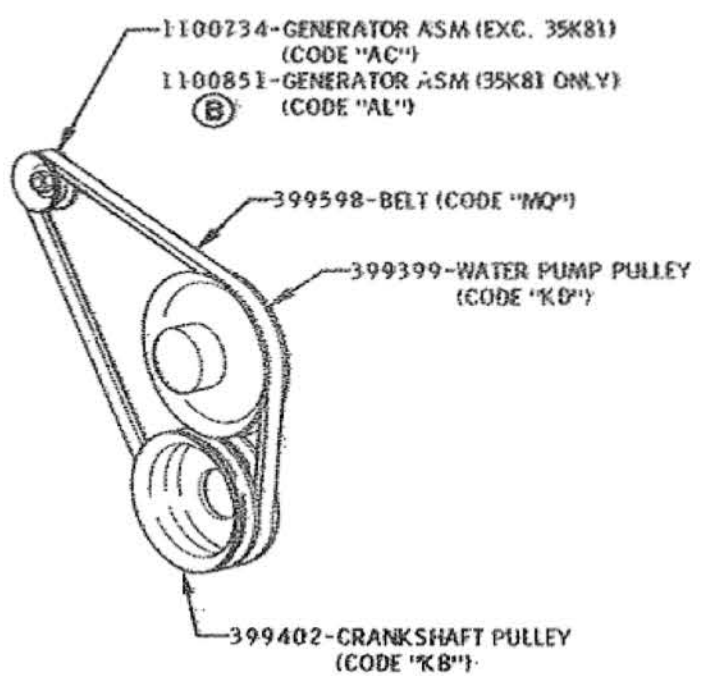
CAMSHAFT ASSY	CAMSHAFT	INDEX	ENGINE USAGE	VALVE LIFT	VALVE TIMING	CAMSHAFT IDENTIFICATION		CASTING	
						SHAFT GRIND	COLOR CODE	IDENT.	PART NO.
400084	400085	ZK	654 EXC. W31	INT. .400 EXH. .400			ONE BLUE STRIPE		
400117	400118	2AF	657 EXC. L32 664 EXC. W34	INT. .495 EXH. .495			ONE GREEN STRIPE	NONE	401348
402486	402487	28P	658 A.T. EXC. W30	INT. .440 EXH. .440			THREE ORANGE STRIPES		
400165	400166	151-D	657 L32 664 W34	INT. .412 EXH. .412			TWO WHITE STRIPES		
393859	393854	35-N	658 S.M. EXC. W30	INT. .472 EXH. .472			2 BLUE STRIPES		
402194	402195	57-AA	654 W31	INT. .474 EXH. .474			ONE WHITE STRIPE		
402569	402570	57-AB	658 W30	INT. .475 EXH. .475			TWO GREEN STRIPES	2 CAST RINGS	389410

TITLE										CHART - CAMSHAFT IDENTIFICATION									
DATE <i>MAR 18, 1968</i>					FIRST USED					OLDSMOBILE PRODUCT					MANUAL SEC. PAGE				
DR. BY <i>J. CASLER</i>					1969					INFORMATION MANUAL					6-0 100				
CHECKED <i>J.N. Adams</i>					REF.					SERIES					PART NO.				
APPR. <i>N.H. Holmes</i>										A-B-C-E					403733				
DATE	DR.	CK.	DATE	SYM.	REVISION	DR.	CK.	DATE	SYM.	REVISION	DR.	CK.	DATE	SYM.	REVISION	DR.	CK.	DATE	SYM.

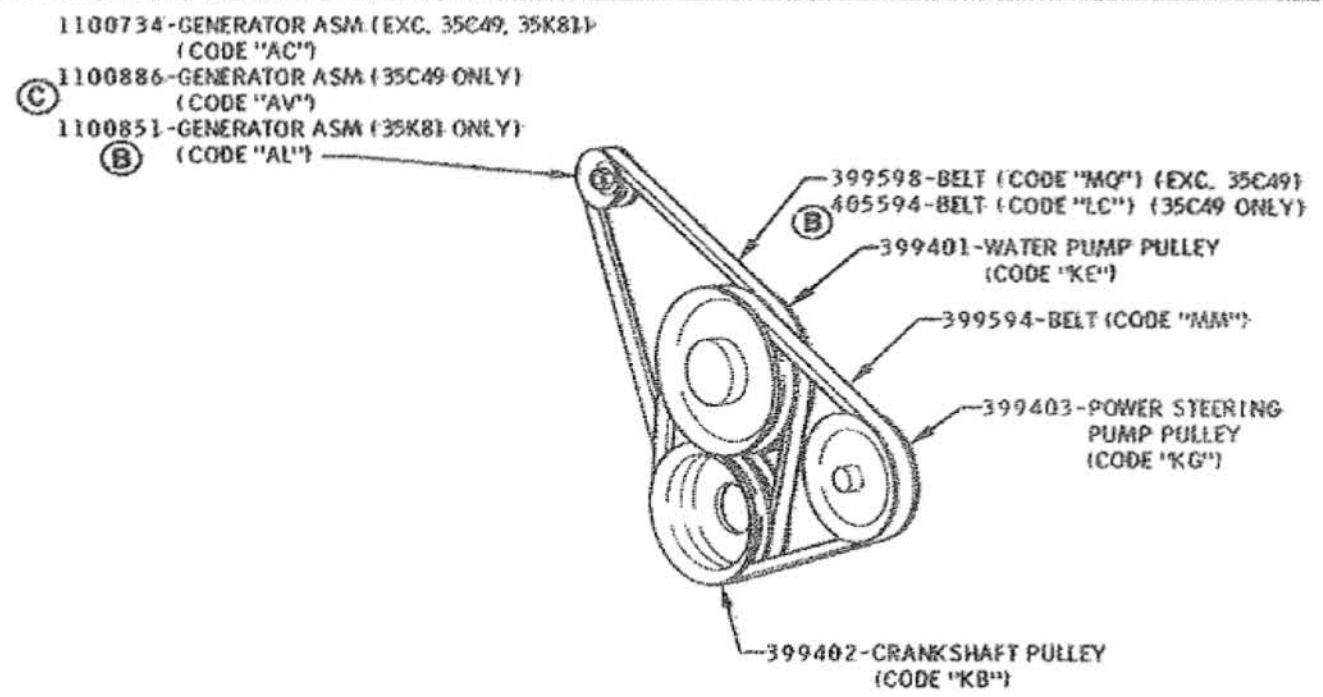


SECTION 6-1 ENGINE DRESS

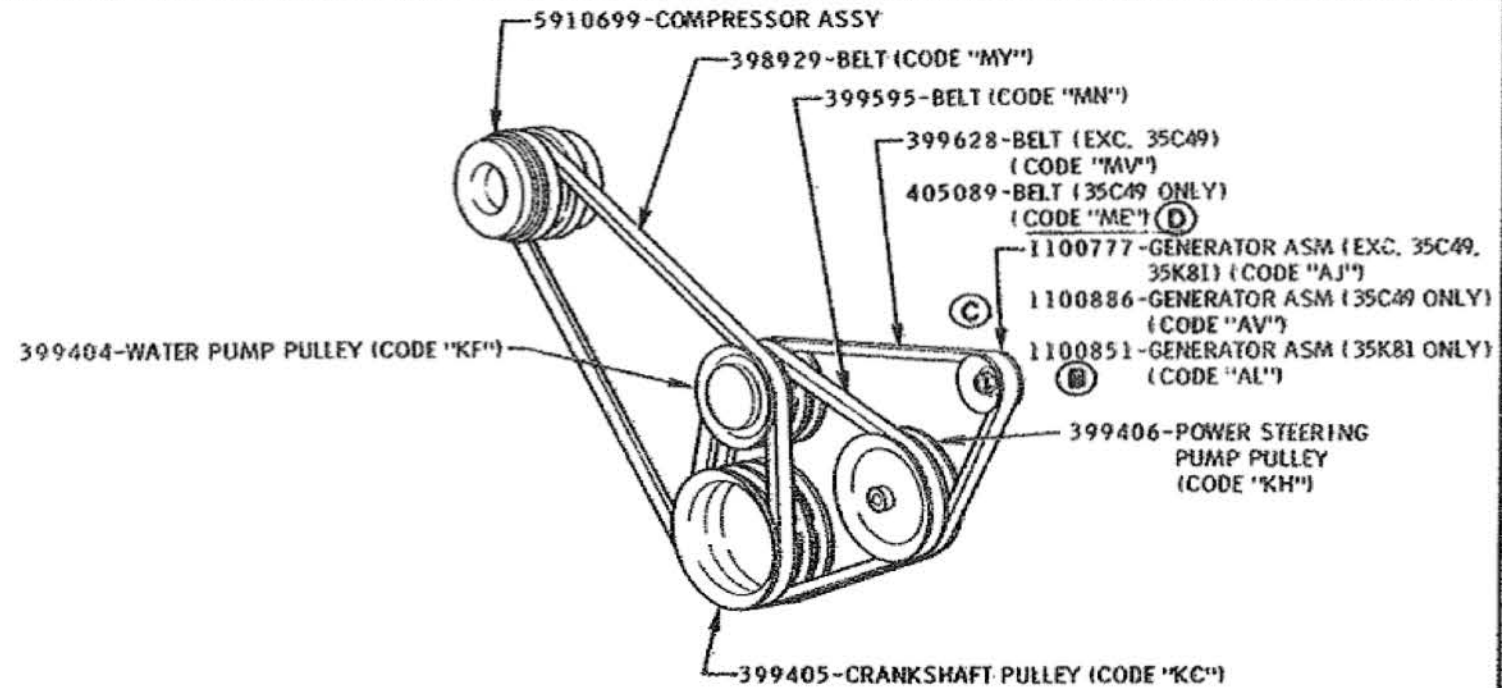
100	ENGINE CHARTS
120	ENGINE CONVERSION
125	ENGINE DRESS-UP
210	AIR CONDITIONING
350	35K30



STANDARD



POWER STEERING



**POWER STEERING
WITH
AIR CONDITIONING**

BELT TENSION

BELT TENSION TO CHECK 110/125#
ON BURROUGHS TOOL 33-95 ON
INSTALLATION. TO CHECK 70#
MINIMUM AFTER CAR HAS BEEN
RUN ON TEST ROLLS.

WHENEVER THE COMBINATION OF
P/S PUMP & GENERATOR ARE ON
THE LEFT SIDE OF ENGINE, THE P/S
PUMP BELT MUST BE ADJUSTED
TO TENSION BEFORE TIGHTENING
THE GENERATOR BELT.

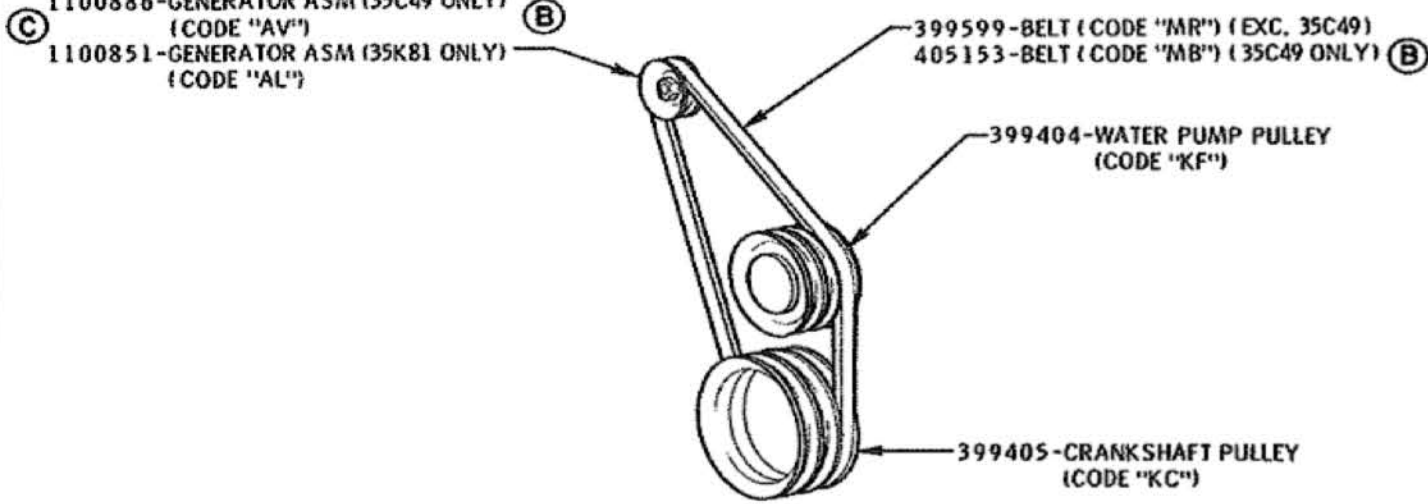
DATE	SYM	REVISION	DR.	CK.	DATE	SYM	REVISION	DR.	CK.	DATE	SYM	REVISION	DR.	CK.	DATE	SYM	REVISION	DR.	CK.	TITLE	FIRST USED	OLDSMOBILE PRODUCT INFORMATION MANUAL	MANUAL SEC.	PAGE
3-18-69	D	WAS CODE "MA"																		PULLEY AND BELT DIAGRAM - 455 CU. IN. V8 ENGINE	1969	6-1	112	
2-10-69	C2	WAS CODE "AP"																						
2-3-69	B6	PART NO'S ADDED																						
11-20-68	A3	PART NO'S ADDED																						
																					REF. 6K1, 6Y1, 9E - 35C60, 6G1, N47	SERIES B-C	PART NO. 401901	

OLDSMOBILE DIVISION

GENERAL MOTORS CORPORATION
LANSING — MICHIGAN

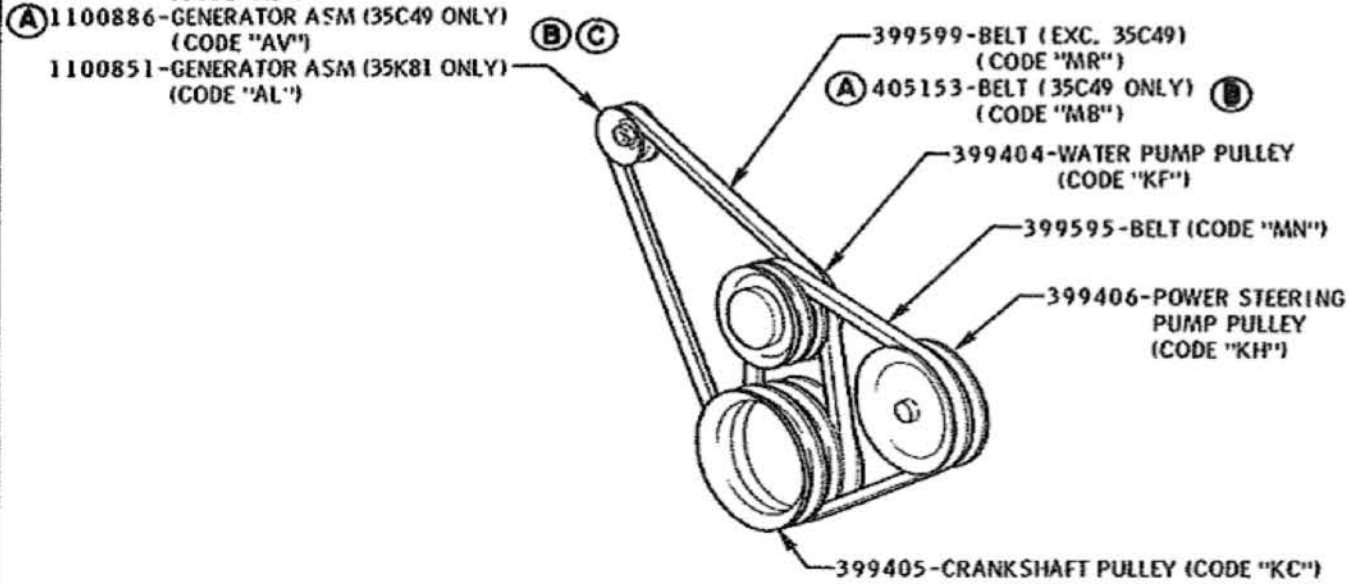
R. CARROLL, INC. 1978

- 1100777-GENERATOR ASM (EXC. 35C49, 35K81)
(CODE "AJ")
- 1100886-GENERATOR ASM (35C49 ONLY)
(CODE "AV")
- 1100851-GENERATOR ASM (35K81 ONLY)
(CODE "AL")



HEAVY DUTY GENERATOR

- 1100777-GENERATOR ASM (EXC. 35C49, 35K81)
(CODE "AJ")
- 1100886-GENERATOR ASM (35C49 ONLY)
(CODE "AV")
- 1100851-GENERATOR ASM (35K81 ONLY)
(CODE "AL")



HEAVY DUTY GENERATOR
WITH
POWER STEERING

BELT TENSION

BELT TENSION TO CHECK 110/125# ON BURROUGHS TOOL 33-95 ON INSTALLATION. TO CHECK 70# MINIMUM AFTER CAR HAS BEEN RUN ON TEST ROLLS.

WHENEVER THE COMBINATION OF P/S PUMP & GENERATOR ARE ON THE LEFT SIDE OF ENGINE, THE P/S PUMP BELT MUST BE ADJUSTED TO TENSION BEFORE TIGHTENING THE GENERATOR BELT.

SHEET 4

DATE	SYM	REVISION	DR.	CK.	DATE	SYM	REVISION	DR.	CK.	DATE	SYM	REVISION	DR.	CK.	DATE	SYM	REVISION	DR.	CK.	TITLE	FIRST USED	OLDSMOBILE PRODUCT INFORMATION MANUAL	MANUAL SEC.	PAGE
																				PULLEY AND BELT DIAGRAM - 455 CU. IN. V8 ENGINE	1969	6-1	113	
					2-10-69	C2	WAS CODE "AP"													DR. BY CUET MAY	REF. 35N40, Y72			
					2-3-69	B4	PART NO'S ADDED													CHECKED BY B. arndt				
					11-20-68	A2	PART NO'S ADDED													APPR. B. B. Road				
																				APPR. [Signature]		B-C	401901	

I. SLOW IDLE ADJUSTMENT

- A. CARBURETOR AS RECEIVED FROM ROCHESTER PRODUCTS AND INSTALLED BY ENGINE PLANT REQUIRES NO ADJUSTMENT ON FINAL ASSEMBLY LINE.
 - B. IDLE SPEED CHECK.
 - 1. APPROX. 650 RPM IN NEUTRAL (ALL EXCEPT W30 (OR W31)). ★
 - 2. S.M. WARM IDLE 825 RPM (W30 OR W31).
A.T. WARM IDLE 900 RPM IN NEUTRAL (W30).
S.M. HIGH IDLE 900 RPM LOW STEP (W30 OR W31).
A.T. HIGH IDLE 1400 RPM LOW STEP IN NEUTRAL (W30).
(TURN IDLE MIXTURE SCREW SIX TURNS OUT FROM SEAT FOR ALL W30 SETTINGS PRIOR TO SETTING IDLE SPEED)
 - 3. CHECK TO SEE THROTTLE RETURN SPRING IS EFFECTIVELY HOLDING THROTTLE LEVER AGAINST STOP.
- ★ ON MODELS USING AN IDLE STOP SOLENOID, APPROX. 650 RPM SOLENOID ELECTRICALLY CONNECTED, APPROX. 400 RPM SOLENOID ELECTRICALLY DISCONNECTED.

II. THROTTLE SWITCH DOWNSHIFT CIRCUIT ADJUSTMENT JT & THM CARS ONLY

- A. REQUIRED CONDITIONS
 - 1. DOWNSHIFT SWITCH & CARPET INSTALLED.
- B. ADJUSTMENTS
 - 1. PUSH PLUNGER OF DOWNSHIFT SWITCH FORWARD UNTIL FLUSH WITH SWITCH HOUSING.
 - 2. PUSH ACCELERATOR PEDAL TO WIDE OPEN POSITION TO SET SWITCH.

III. DASHPOT ADJUSTMENTS (PERTAINS TO MODELS SO EQUIPPED)

- A. REQUIRED CONDITIONS
 - 1. CARBURETOR LEVER AT SLOW IDLE, CHOKE FULLY OPEN.
 - 2. ENGINE OFF, DASHPOT FULLY COMPRESSED.
- B. ADJUSTMENT
 - 1. ADJUST DASHPOT FOR .060 CLEARANCE BETWEEN DASHPOT AND THROTTLE LEVER.
 - 2. TIGHTEN NUT TO LOCK.

NOTE: THESE ADJUSTMENTS ARE FOR ASSEMBLY LINE ONLY. FOR REPAIR AREA OR DEALER SERVICE SEE SERVICE MANUAL TO CORRECTLY SET SLOW IDLE, FAST IDLE, AND CHOKE.

DATE	SYM	REVISION	DR.	CK	DATE	SYM	REVISION	DR.	CK	DATE	SYM	REVISION	DR.	CK	TITLE	FIRST USED	OLDSMOBILE PRODUCT INFORMATION MANUAL	MANUAL SEC.	PAGE
															CHART - THROTTLE ADJUSTMENT	1969	6-1	119	
															DR. BY GALE GRAY				
															CHECKED J. PITTS				
															APPR. R. H. HAAS 4/11/68		SERIES B-C	PART NO. 403926	
															APPR.				

1969 350 AND 455 CUBIC INCH ENGINE ASSEMBLY
CONVERSION PROCEDURES

CONVERT 350 CUBIC INCH SYNCHROMESH ENGINE 403318 (QK) OR AUTOMATIC TRANSMISSION ENGINE 403316 (QC) TO EXPORT (98L90) BY THE FOLLOWING:

ITEM	REMOVE	INSTALL
MANIFOLD ASSY - EXHAUST - L.H.	403453 (A)	393383 (A)
SHROUD - EXH. MANIFOLD OUTER	399424 (A)	399427
ELBOW - VACUUM	103877 (PLUG)	382890
ELBOW - VACUUM	103878 (PLUG)	143343
SM ONLY STUD - EQUALIZER TO ENGINE SEAL - EQUALIZER STUD	3816341 382658	388908 388906

FOR CONVERTING L32 ENGINE (UL) FROM STANDARD TO A/C, THE FOLLOWING IS REQUIRED:

ITEM	REMOVE	ADD
DASHPOT ASSEMBLY - SLOW IDLE	--	401159
BRACKET - DASHPOT	--	399625
NUT - DASHPOT TO BRACKET	--	9418892
BOLT - DASHPOT BRKT. TO INT. MANIFOLD	9419029	9419029 ★★
BRACKET - GENERATOR	397209	--
BOLT - GEN. BRKT. TO CYL. HEAD	(3) 9418822	--
NIPPLE - HEATER HOSE	399467	--

CONVERT "B" CAR ENGINES TO MANUAL BRAKES BY THE FOLLOWING:

ITEM	REMOVE	INSTALL
ELBOW - POWER BRAKE VACUUM	143343	103878 (PLUG)

CONVERT 4 BBL. ENGINES TO K30 BY THE FOLLOWING:

ITEM	REMOVE	INSTALL
HOSE - VENT VALVE TO CARBURETOR	404538	403062

FOR ENGINE CONVERSION
INSTALLATION DRAWING,
SEE SECTION 6-0 AND 6-1.

350 AND 455 CUBIC INCH ENGINE

★★ REUSE EXISTING BOLT

ALL PROCEDURES WHICH APPLY TO
PARTS ASSEMBLED IN THE ENGINE
PLANT REGARDING TORQUES, PAINTING,
LUBRICANTS, PROCESS MATERIALS, ETC.,
ALSO APPLY TO ALL FINAL ASSEMBLY
CONVERSION PARTS.

SHEET 1 OF 3

CHART - ENGINE CONVERSION											
DATE	SYM	REVISION	DR.	CK.	DATE	SYM	REVISION	DR.	CK.	DATE	SYM
					93068	D	NOTE ADDED				
					93068	C	CONVERSION ADDED				
					72968	B	CONVERSION ADDED				
					62868	A3	PART 110 REVISED				
TITLE: CHART - ENGINE CONVERSION											
DATE: MAR 30 1968											
DR. BY: BILL SCHMIDT											
CHECKED BY: [Signature]											
APPR. [Signature]											
				FIRST USED: 1969				OLDSMOBILE PRODUCT INFORMATION MANUAL		MANUAL SEC. PAGE: 6-1 120	
				REF.				SERIES: B-C		PART NO.: 403887	

OLDSMOBILE DIVISION

GENERAL MOTORS CORPORATION
LANSING - MICHIGAN

R. CARROLL, INC. 4877

TO CONVERT 350 CU. IN. SM OR EXPORT ENGINES TO C60 OR C61, THE FOLLOWING IS REQUIRED:				
ITEM	SM	AT	REMOVE	INSTALL
BODY ASSEMBLY - WATER PUMP	X	X	403034	# 403035
GASKET - WATER PUMP	X	X	★ 385936	385936
BOLT - FRONT COVER TO BLOCK	X	X	271486	394453
BRACKET - GENERATOR	X	X	397209	---
BOLT - GENERATOR BRACKET	X	X	(3) 9418822	---
NIPPLE - HEATER HOSE	X	X	---	399467
HOSE - DISTRIBUTOR VACUUM	X	X	575712	404517
CONN. - DIST. VAC. HOSE (STEEL TUBE)	X	X	404253	---
HOSE - DISTRIBUTOR VACUUM (I. 50)	X		404572	---
PLUG - T. V. S. HOLE	X	X	103880	---
PLUG - INT. MANIFOLD VACUUM HOLE	X		103877	---
SWITCH ASM - THERMOSTATIC VAC.	X	X	---	403398
ELBOW - INTAKE MANIFOLD	X			393030
HOSE - T. V. S. TO CARB. VACUUM	X		---	393586
HOSE - T. V. S. TO INT. MANIFOLD	X		---	400508
TEE - VACUUM (RUBBER)		X	---	574372
HOSE - ORIFICED TEE TO MANIFOLD		X	392613	---
HOSE - MODULATOR VACUUM		X	392616	393586
HOSE - T. V. S. TO INT. MANIFOLD		X	---	392613
HOSE - T. V. S. TO RUBBER TEE		X	---	392613
HOSE - CARBURETOR TO RUBBER TEE		X	---	404572
CONNECTOR - VACUUM		X	---	(2) 575714

A. T. ENGINES, EXCEPT EXPORT, CANNOT BE CONVERTED.

2 BBL. SM AND AT ENGINES MUST ALSO BE CONVERTED FOR EXPORT IN ADDITION TO THE ABOVE A/C CONVERSION.

NOTE:

ALL PROCEDURES WHICH APPLY TO PARTS ASSEMBLED IN THE ENGINE PLANT REGARDING TORQUES, PAINTING, LUBRICANTS, PROCESS MATERIALS, ETC., ALSO APPLY TO ALL FINAL ASSEMBLY CONVERSION PARTS.

NOTES:

- ★ SCRAP.
- (\$) REUSE EXISTING BOLT.
- (#) PAINT WITH ENGINE ENAMEL.

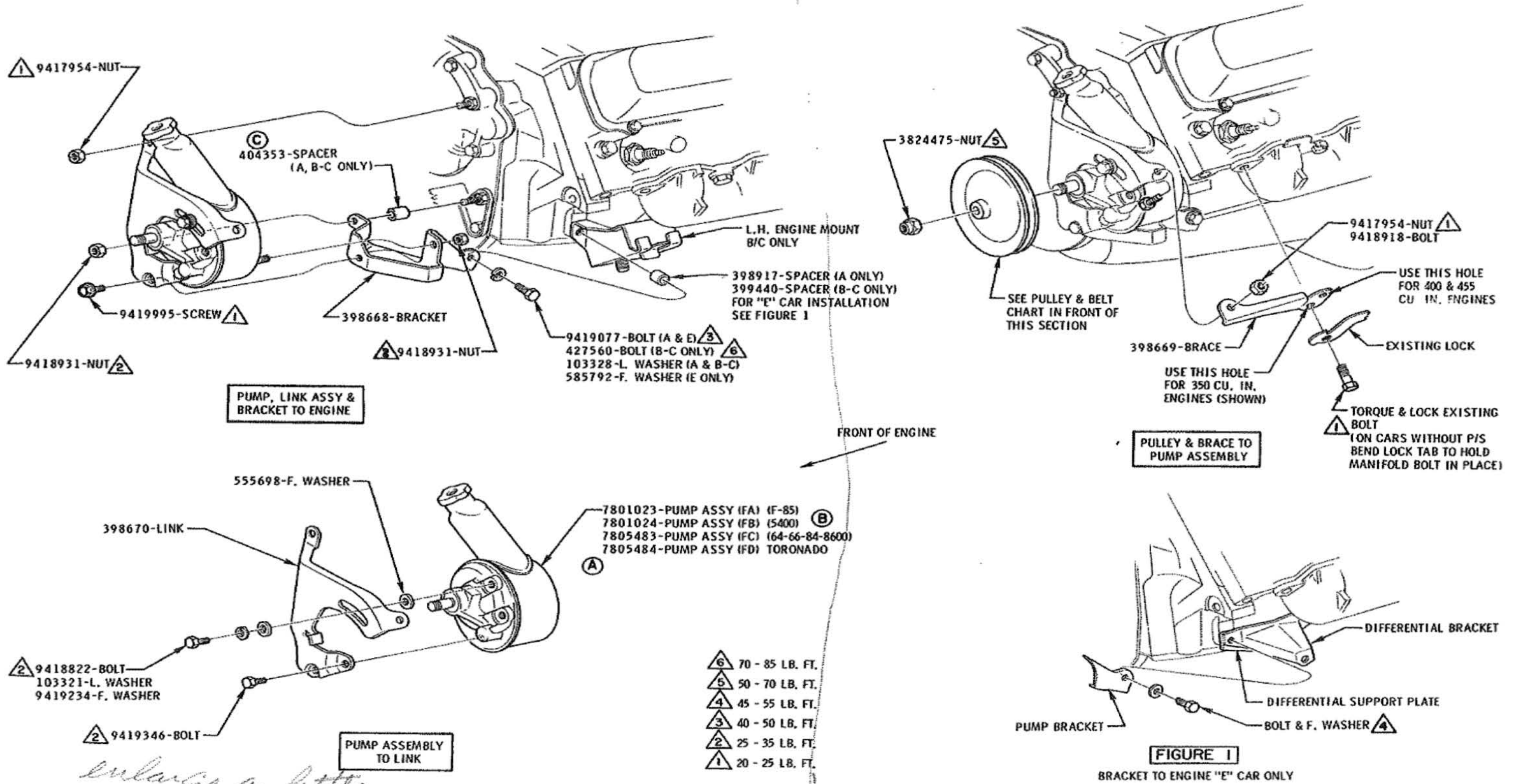
TO CONVERT 455 CU. IN. SM OR EXPORT ENGINES TO C60 OR C61, THE FOLLOWING IS REQUIRED:					
ITEM	2 BBL.		4 BBL.	REMOVE	INSTALL
	SM	AT	AT		
BODY ASSEMBLY - WATER PUMP	X	X	X	403034	# 403035
GASKET - WATER PUMP	X	X	X	★ 385936	385936
BOLT - FRONT COVER TO BLOCK	X	X	X	271486	394453
BRACKET - GENERATOR	X	X	X	397209	---
BOLT - GENERATOR BRACKET	X	X	X	(3) 9418822	---
NIPPLE - HEATER HOSE	X	X	X	399467	---
BRACKET - DASHPOT		X	X	---	399625
DASHPOT ASSEMBLY		X	X	---	401159
NUT - DASHPOT TO BRACKET		X	X	---	9418892
BOLT - BRACKET TO MANIFOLD			X	(\$) 9419029	9419029
BOLT - BRACKET TO MANIFOLD		X		---	9419029
PUMP ASSEMBLY - FUEL		X	X	6440705	6440523
GASKET - FUEL PUMP		X	X	★ 382897	382897
HOSE - DISTRIBUTOR VACUUM	X	X		575712	404517
HOSE - DISTRIBUTOR VACUUM			X	393588	404517
CONNECTOR - DIST. VAC. HOSE (STEEL TUBE)	X	X		404253	---
HOSE - DISTRIBUTOR VACUUM (I. 50)	X	X		404572	---
PLUG - T. V. S. HOLE	X	X	X	103880	---
SWITCH - THERMOSTATIC VACUUM	X	X	X	---	403398
HOSE - T. V. S. TO INTAKE MANIFOLD	X	X	X	---	400508
HOSE - T. V. S. TO CARBURETOR	X	X		---	393586
HOSE - T. V. S. TO CARBURETOR			X	---	392617
PLUG - INT. MANIFOLD VACUUM HOLE	X			103877	---
ELBOW - INTAKE MANIFOLD VACUUM	X			---	393030
TEE - VACUUM (RUBBER)		X	X	---	574372
CONNECTOR - VACUUM		X	X	---	575714
CARBURETOR ASSEMBLY - 2 BARREL	X	X		7029158	7029159

A. T. ENGINES, EXCEPT EXPORT, CANNOT BE CONVERTED.

SHEET 3

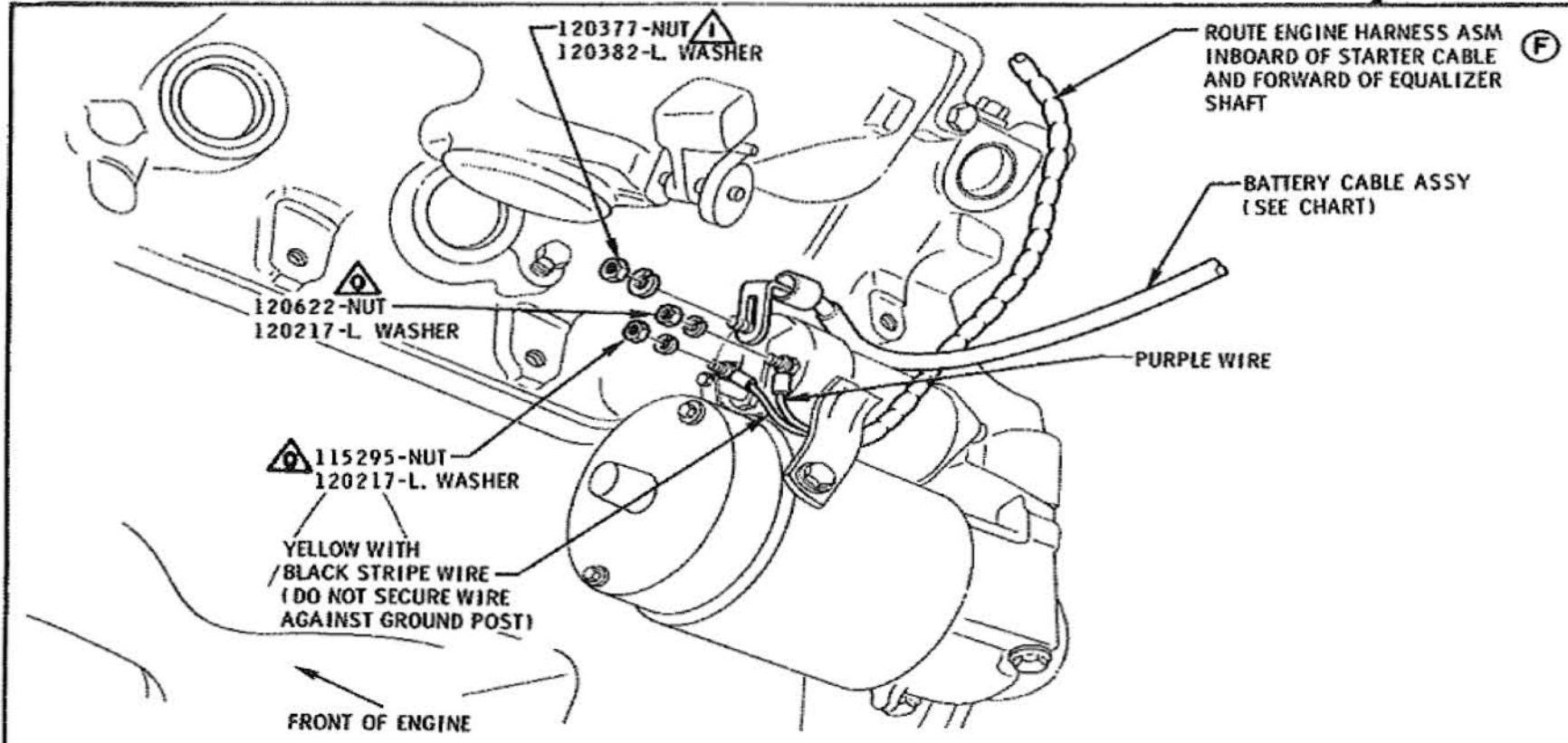
DATE	SYM	REVISION	DR.	CK.	DATE	SYM	REVISION	DR.	CK.	DATE	SYM	REVISION	DR.	CK.	APPR.

53068 E REVISED 73068 D LINE REMOVED 7568 C USAGE ADDED 7568 B LINE REMOVED 2568 A4 LINE ADDED				66 JF REN PEN 66 JF REN PEN 66 JF REN PEN 66 JF REN PEN		TITLE DATE MAR 30 1968 DR. BY BILL SCHMIDT CHECKED J. J. Ford APPR. APPR.	CHART - ENGINE CONVERSION FIRST USED 1969 OLDSMOBILE PRODUCT INFORMATION MANUAL REF. SERIES B-C PART NO. 403887			MANUAL SEC. 6-1 PAGE 122
--	--	--	--	--	--	--	--	--	--	-----------------------------



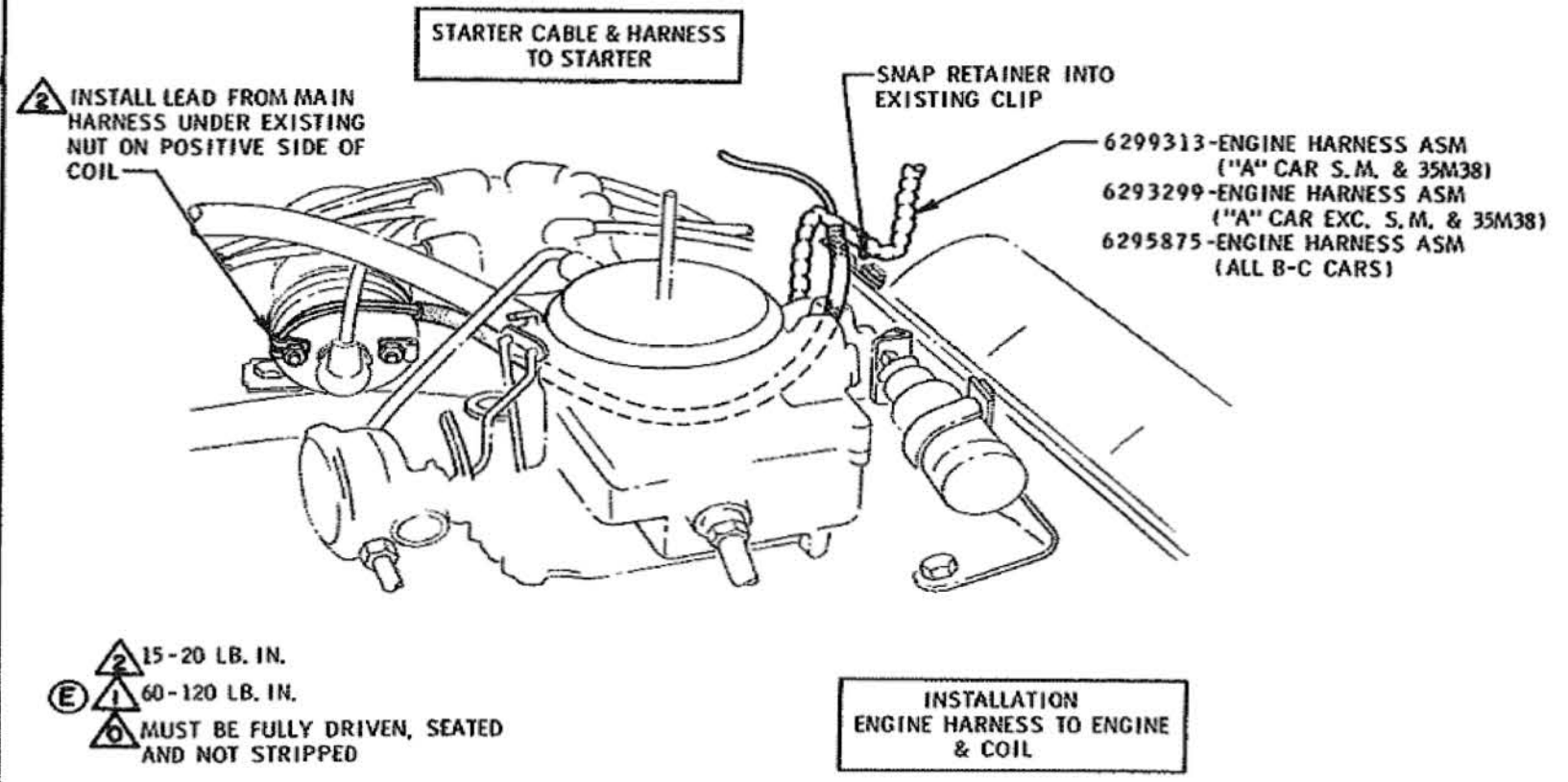
enlarge a little

DATE	SYM	REVISION	DR.	CK.	DATE	SYM	REVISION	DR.	CK.	DATE	SYM	REVISION	DR.	CK.	DATE	SYM	REVISION	DR.	CK.	TITLE	FIRST USED	OLDSMOBILE PRODUCT INFORMATION MANUAL	MANUAL SEC.	PAGE
					8-20-68	C	SPACER ADDED													POWER STEERING PUMP AND BRACKETS	1969		6-1	126
					5-27-68	B	CODES ADDED													DATE JANUARY 24, 1968				
					1-26-68	A	BLUE PAINT ADDED													DR. BY CURT MAY	REF. (E 3A)	SERIES A-B-C-E	PART NO.	401900-1-2
																				CHECKED JMBarnhart	35N40			
																				APPR. J. B. Ford	95 NAT			
																				APPR. SMC 11/25/68				



BATTERY CABLE ASSEMBLY CHART

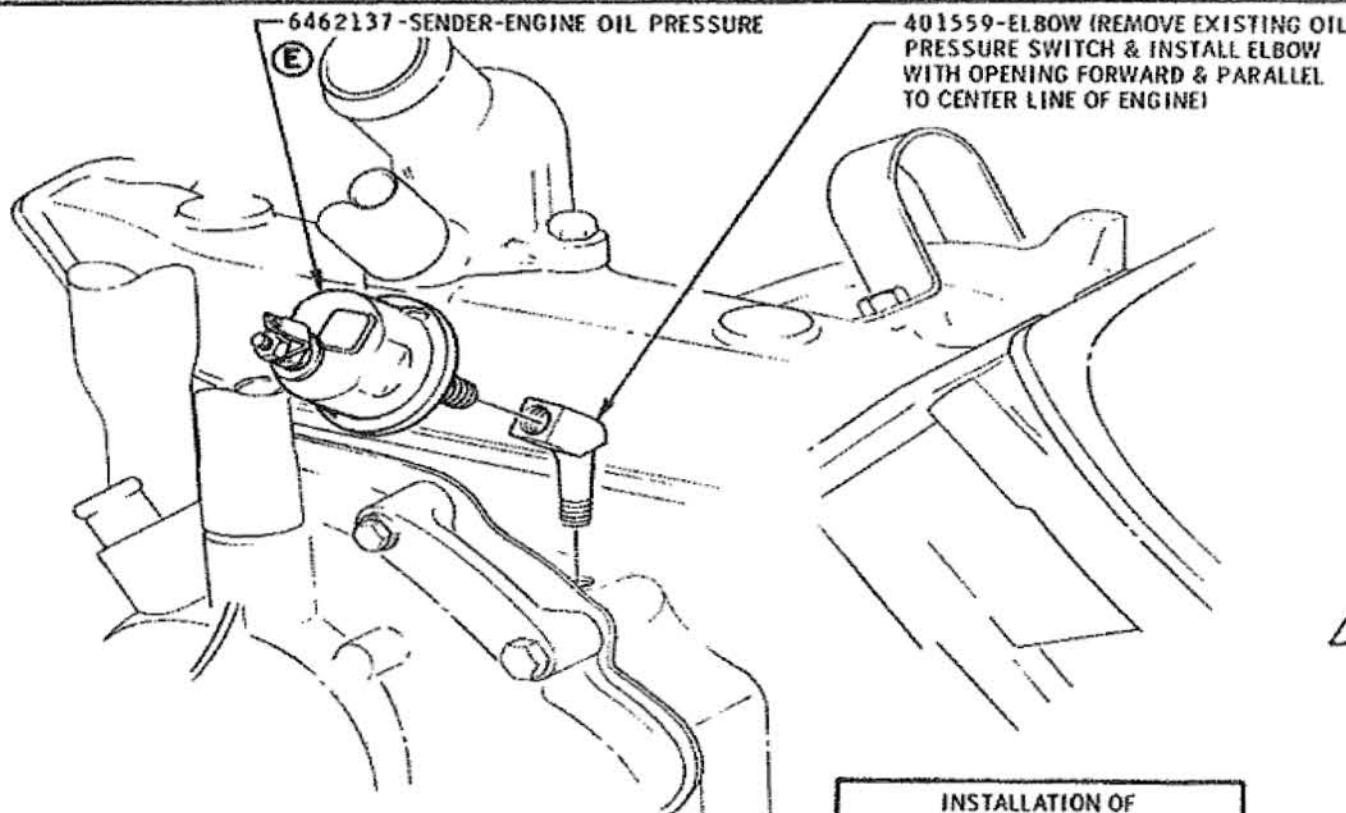
PART NO.	CODE	CAR	USAGE
6296742	GM	"A"	S. M. T. 350 CU. IN. ENGINES
6296744	GP	"A"	A. M. T. 350 CU. IN. 2 BBL. ENGINES
6296743	GN	"A"	ALL 400 CU. IN. ENGINES A. M. T. 350 CU. IN. 4 BBL. ENGINES
6296740	KS	"B"	350 CU. IN. EXC. JL2, J55 455 CU. IN. S. M. T.
6296778	KU	"BC"	455 CU. IN. A. M. T. EXC. JL2, J55, L32
6296741	KT	"BC"	350 CU. IN. ENGINE WITH JL2, J55 455 CU. IN. ENGINES WITH JL2, J55, L32



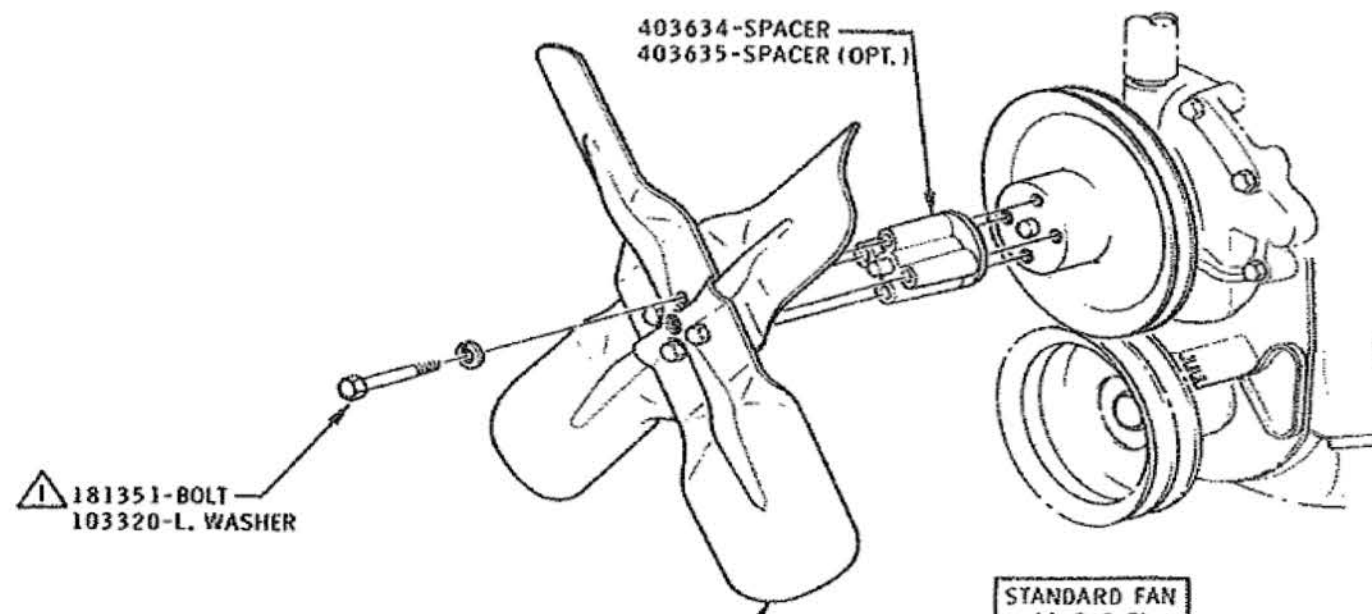
- ② 15-20 LB. IN.
- ① 60-120 LB. IN.
- ⊙ MUST BE FULLY DRIVEN, SEATED AND NOT STRIPPED

**INSTALLATION
ENGINE HARNESS TO ENGINE
& COIL**

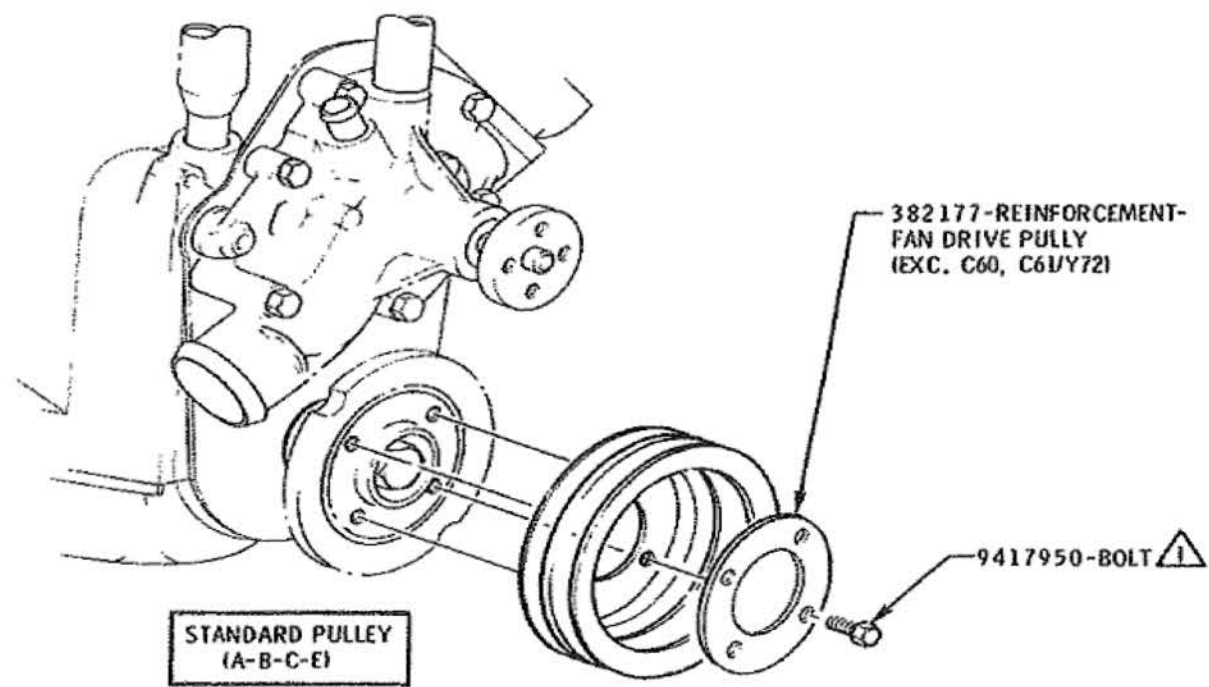
DATE	SYM	REVISION	DR.	CK.	DATE	SYM	REVISION	DR.	CK.	DATE	SYM	REVISION	DR.	CK.	TITLE	FIRST USED	OLDSMOBILE PRODUCT INFORMATION MANUAL	MANUAL SEC.	PAGE
					9-24-68	E	TORQUE REVISED								STARTER CABLE & ENGINE HARNESS TO ENGINE	1969		6-1	127
					9-24-68	D	CHART REVISED								DATE APRIL 11, 1968				
					9-24-68	C	WAS 115573-NUT								DR. BY CURT MAY				
					8/13/68	B	REV. E REDERAYN								CHECKED <i>[Signature]</i>				
					5-21-69	F	NOTE REVISED	PLM		5-7-68	R	VIEW ADDED			APPR. <i>[Signature]</i>	REF. 1CA-124 35U21 6Y2	SERIES A-B-C	PART NO. 401900-1	



INSTALLATION OF RALLY PACK OIL PRESSURE GAGE TO ENGINE (A CAR ONLY)



- Ⓓ 404122-FAN BLADE ASM (350 CU. IN. "A" CAR)
- Ⓕ 406016-FAN BLADE ASM (400 CU. IN. "A" CAR)
- 403677-FAN BLADE ASM (EXC. 350 & 400 CU. IN. "A" CAR)

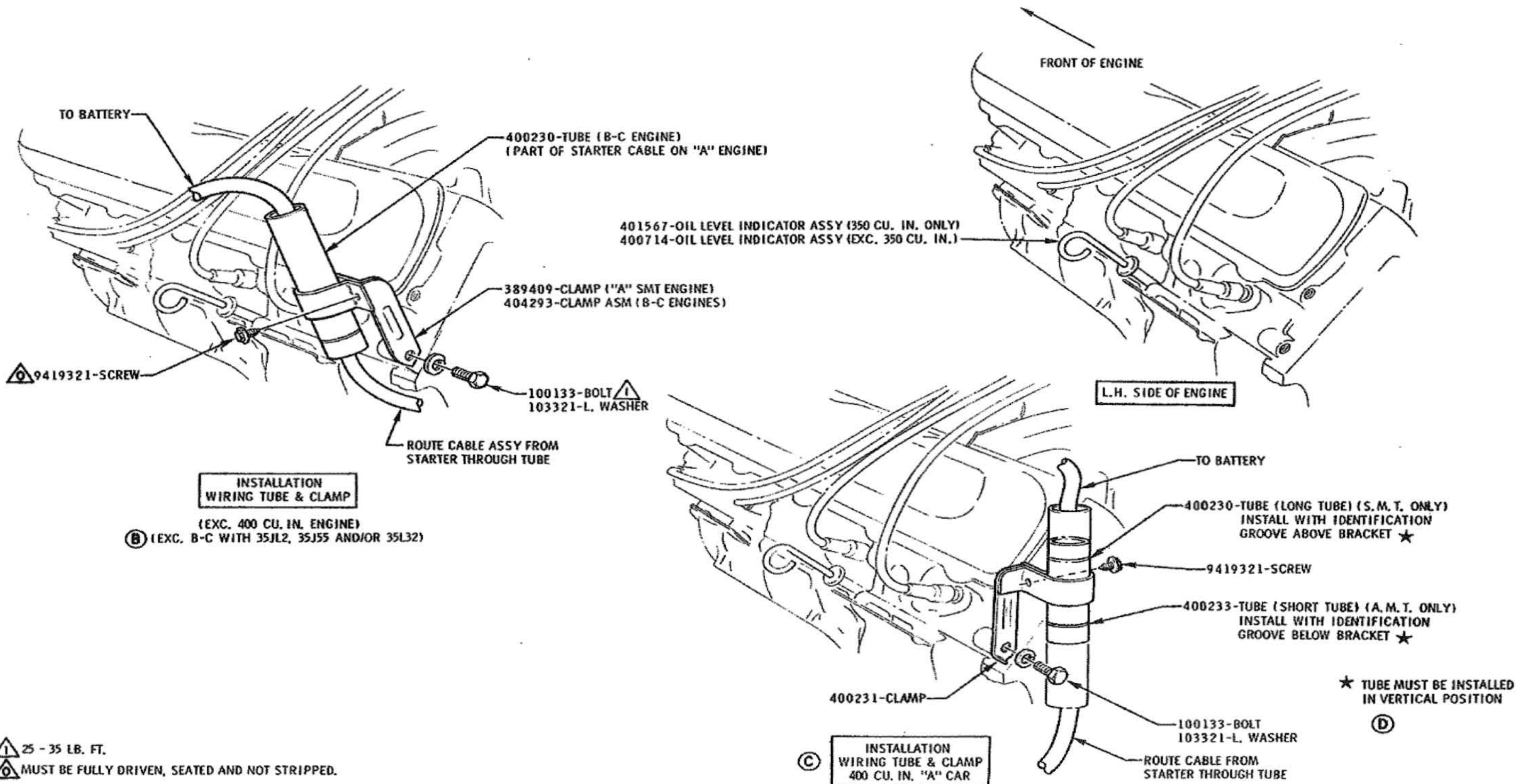


STANDARD PULLEY (A-B-C-E)

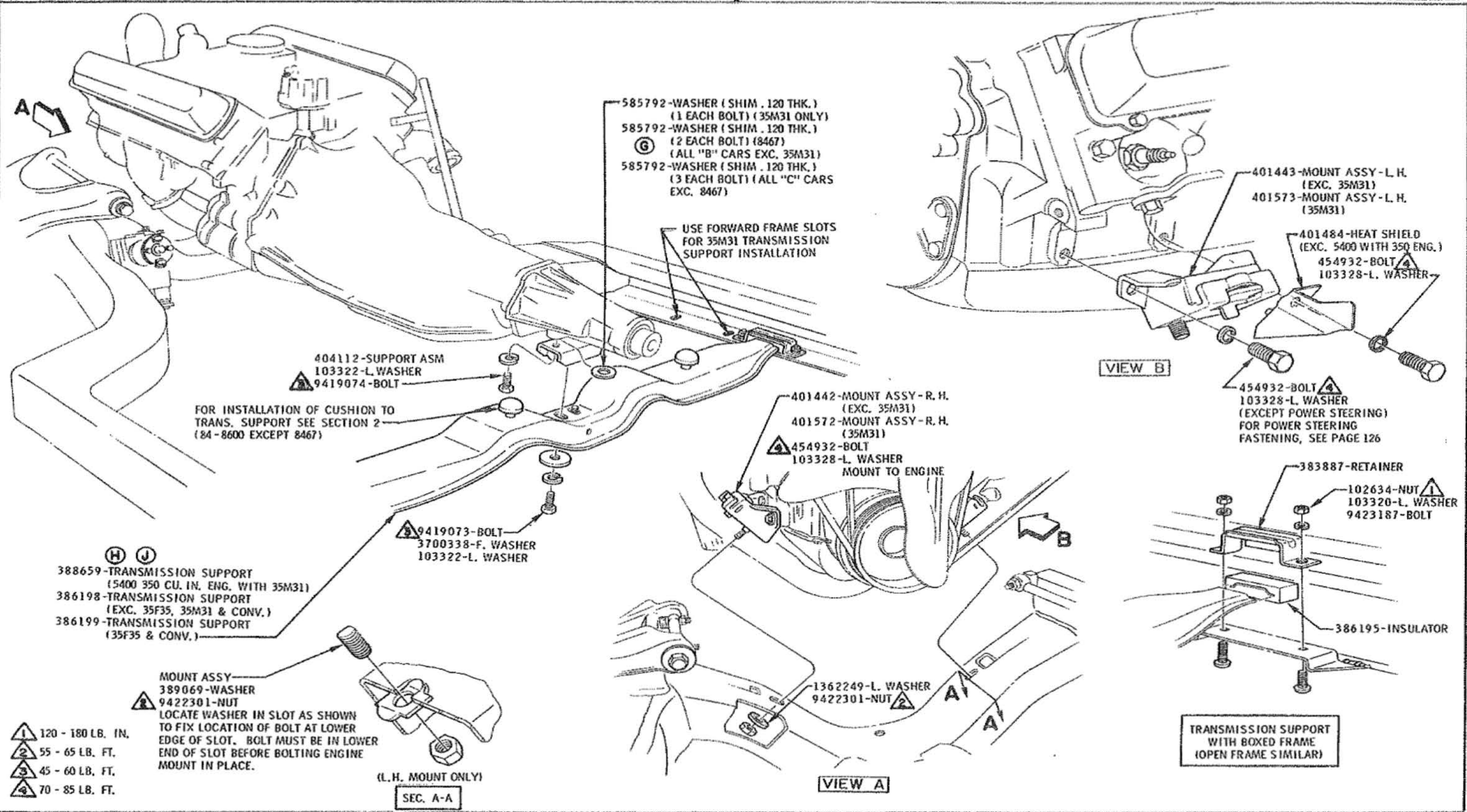
FOR PULLEYS & BELTS SEE CHART IN FRONT OF SECTION 6-1

⚠ 15 - 20 LB. FT.

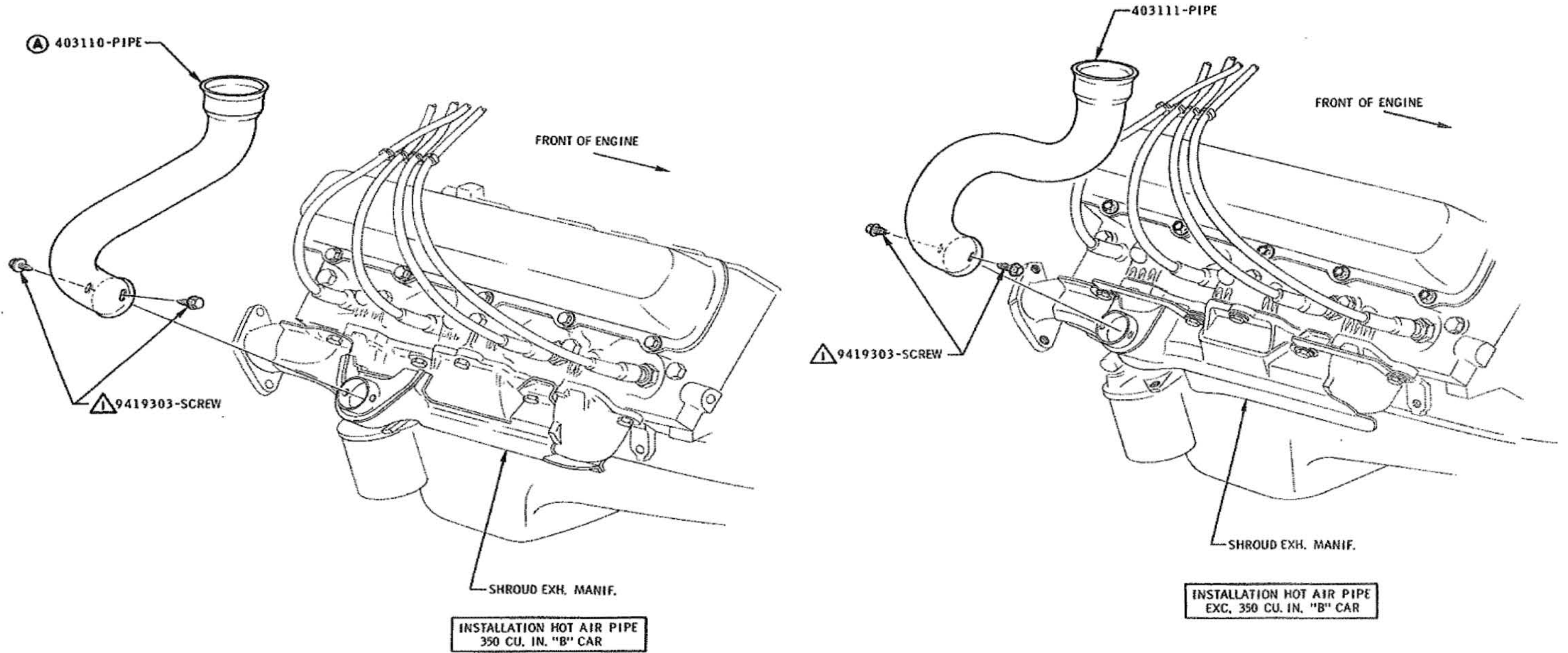
DATE	SYM	REVISION	DR. CK.	DATE	SYM	REVISION	DR. CK.	DATE	SYM	REVISION	DR. CK.	APPR.	TITLE	FIRST USED	OLDSMOBILE PRODUCT INFORMATION MANUAL	MANUAL SEC.	PAGE
				9-27-68	E	WAS 646092	OMP						PULLEY, STANDARD FANS & 35U21 OIL GAGE				
				6-24-68	D	WAS 403627	OMP						DATE JANUARY 18, 1968	FIRST USED 1969	OLDSMOBILE PRODUCT INFORMATION MANUAL	6-1	130
				4-29-68	C	VIEW REMOVED	OMP						DR. BY CUET MARY				
				4-29-68	B	TITLE REV	OMP						CHECKED PMP/ambert				
				4-29-68	A	PART NO'S REV	OMP						APPR. <i>ab</i>	REF. 6K1 35U21	SERIES A-B-C-E	PART NO. 401900-1-2	
				2-21-69	F	PART NO ADDED	OMP						APPR. <i>SPC</i> 1/19/69				



DATE	SYM	REVISION	DR.	CK.	DATE	SYM	REVISION	DR.	CK.	DATE	SYM	REVISION	DR.	CK.	APPR.	TITLE	FIRST USED	OLDSMOBILE PRODUCT INFORMATION MANUAL	MANUAL SEC.	PAGE	SERIES	PART NO.
2-14-69	D	NOTE ADDED														OIL LEVEL INDICATOR AND STARTER CABLE TUBES	1969		6-1	132	A-B-C-E	401900-1-2
10-2-68	C	VIEW REVISED TO DETAIL														DATE JANUARY 19, 1968 DR. BY CURT MAY	REF. 664 12A					
9-9-68	B	NOTE ADDED														CHECKED [Signature]						
9-9-68	A	WAS 400231-CLAMP														APPR. [Signature]						



DATE	SYM	REVISION	DR.	CK.	DATE	SYM	REVISION	DR.	CK.	DATE	SYM	REVISION	DR.	CK.	APPR.	TITLE	FIRST USED	OLDSMOBILE PRODUCT INFORMATION MANUAL	MANUAL SEC.	PAGE
					12-6-68	E	NOTE ADDED									POWER PLANT TO FRAME				
		3-8-69	J		10-11-68	D	NOTE ADDED									DATE JANUARY 15, 1968	1969		6-1	140
		1-18-69	H		3-20-68	C	USAGE REVISED									DR. BY CUET MAY				
		12-12-68	G		6-24-68	B	WAS 384070									CHECKED MFBarnhart				
		12-6-68	F		4-19-68	A	PART NO'S REV.									APPR. J.R. Leonard	REF. 28-3508 69 35740	SERIES	PART NO.	
																		B-C		401901

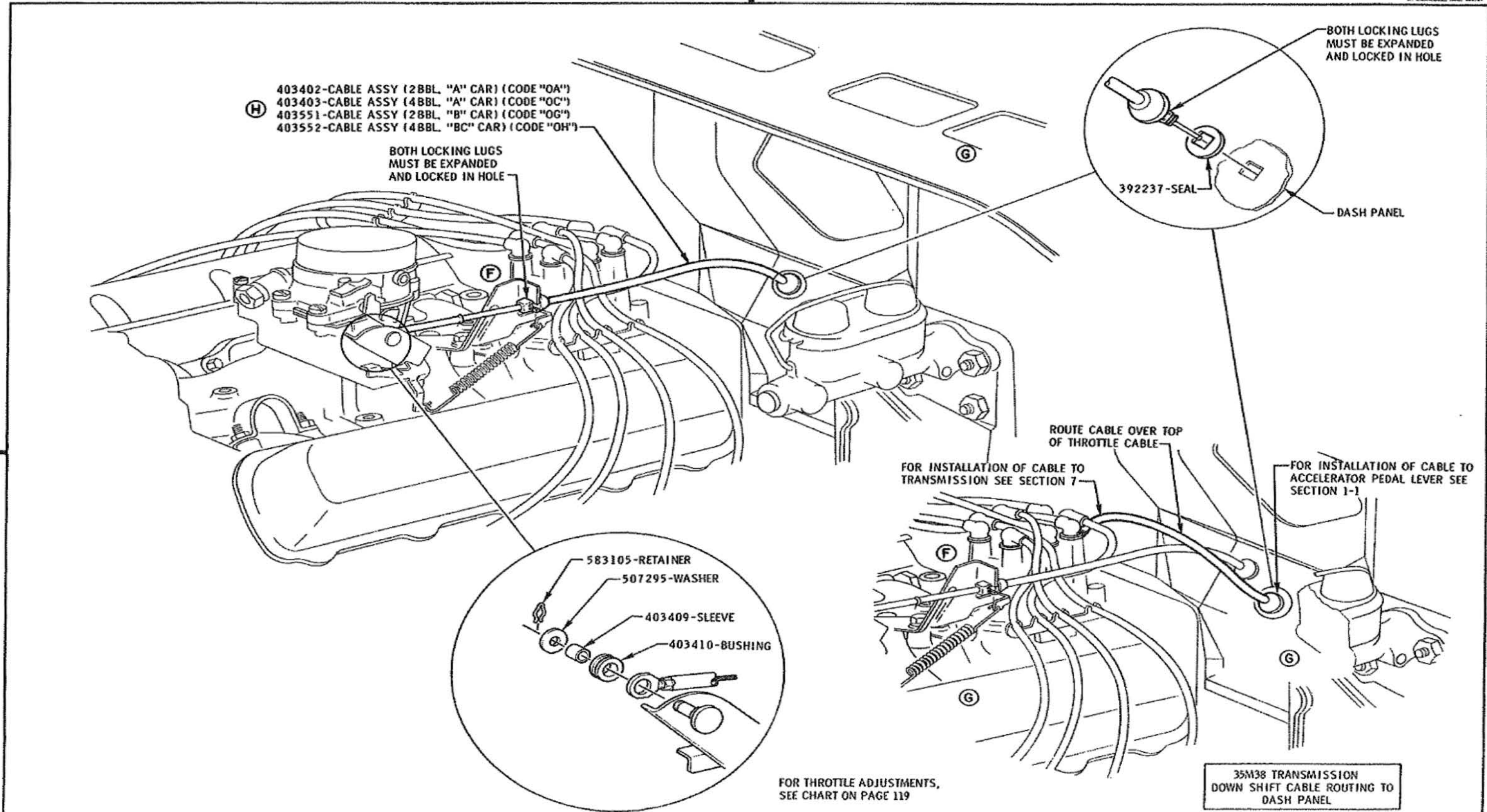


⚠ 25 - 30 LB. IN.

INSTALLATION HOT AIR PIPE
350 CU. IN. "B" CAR

INSTALLATION HOT AIR PIPE
EXC. 350 CU. IN. "B" CAR

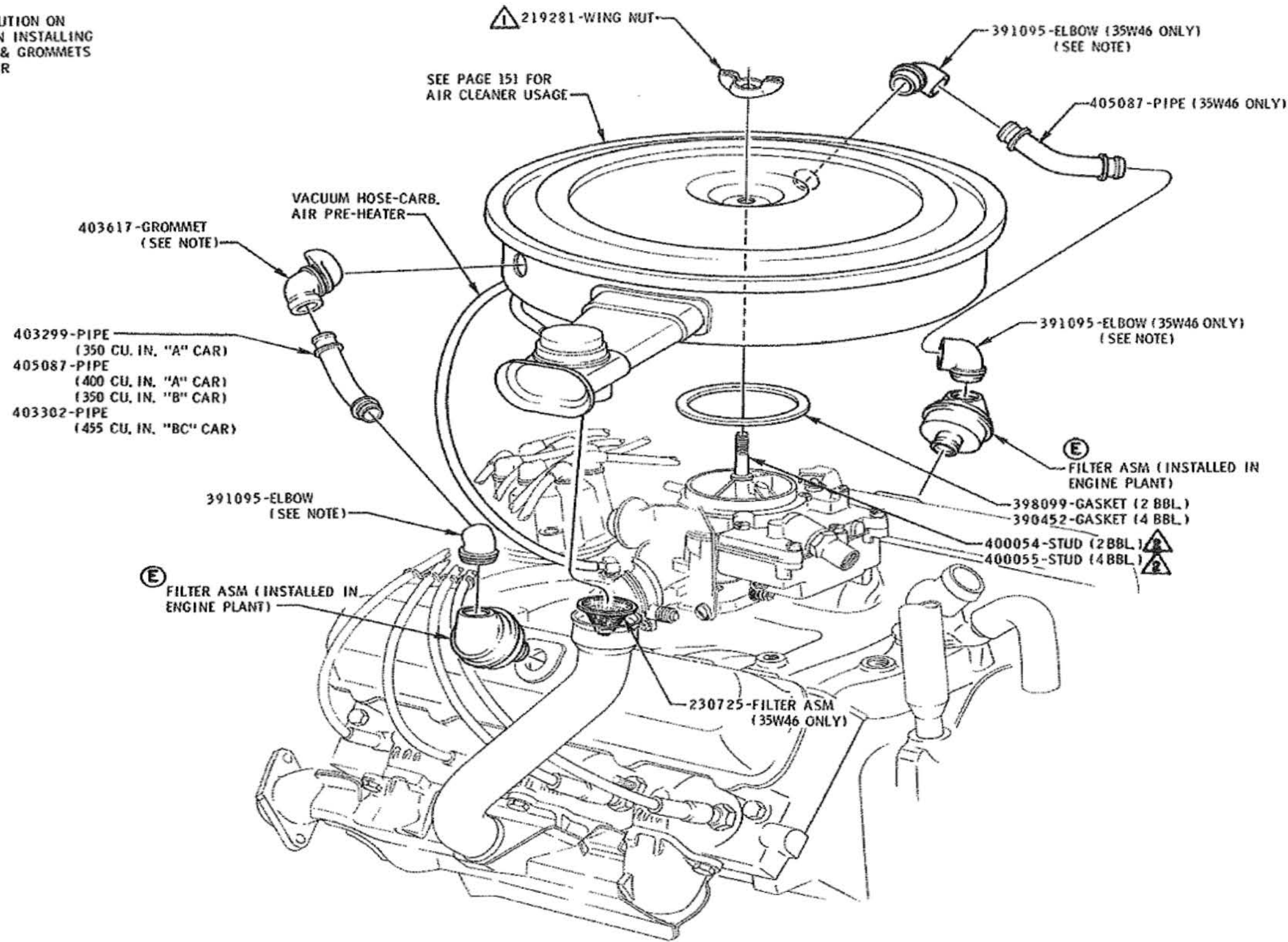
										TITLE								
										CARBURETOR AIR PRE-HEATER								
										DATE	APRIL 17, 1968	FIRST USED	1969	OLDSMOBILE PRODUCT	MANUAL SEC.	6-1	PAGE	142
										DR. BY	CURT MAY	REF.	6M9	SERIES	B-C	PART NO.	401901	
										CHECKED	MPS							
										APPR.	S. L. Ford							
DATE	SYM	REVISION	DR.	CK.	DATE	SYM	REVISION	DR.	CK.	DATE	SYM	REVISION	DR.	CK.	APPR.			
					9-26-68	A	REVISED TO DETAIL								SMC 4/19/68			



DATE	SYM	REVISION	DR.	CK.	DATE	SYM	REVISION	DR.	CK.	DATE	SYM	REVISION	DR.	CK.	DATE	SYM	REVISION
					9-3-68	E	NOTE REVISED	PL	MPB								
					9-3-68	D	NOTE ADDED	PL	MPB								
		1-14-69	H		8-12-68	C	SEALER ADDED	R	BYB								
		11-27-68	G ₂		7-22-68	B	VIEW REVISED	R	MPB								
		10-14-68	F		5-22-68	A	VIEW ADDED	CM	MPB								

THROTTLE CONTROL											
TITLE DATE APRIL 16, 1968 DR. BY CUET MMY CHECKED/NTB/bahart						FIRST USED 1969		OLDSMOBILE PRODUCT INFORMATION MANUAL		MANUAL SEC. PAGE 6-1 145	
APPR. <i>Ronald A. Jones</i> 5/15/68						REF. 612		SERIES A-B-C		PART NO. 401900-1	

NOTE:
USE SOAP SOLUTION ON
GROMMET WHEN INSTALLING
ADAPTER ASM & GROMMETS
TO AIR CLEANER



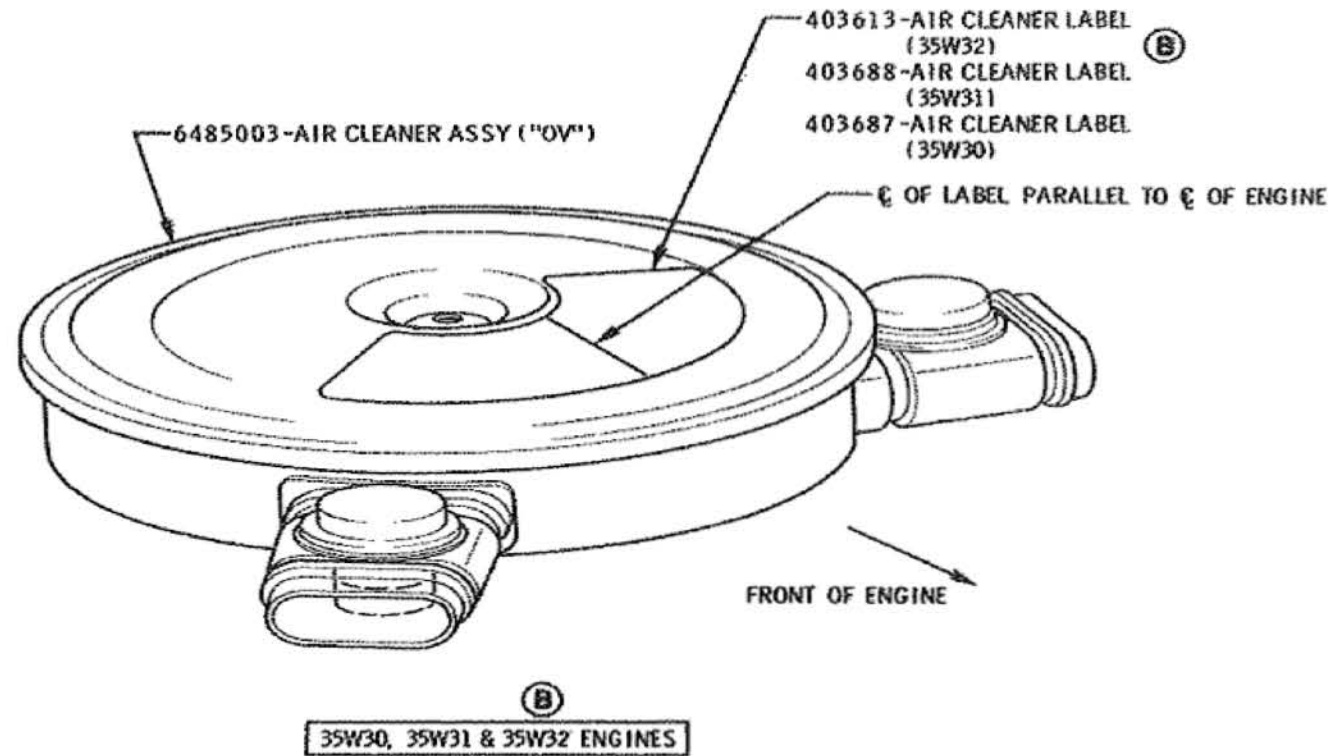
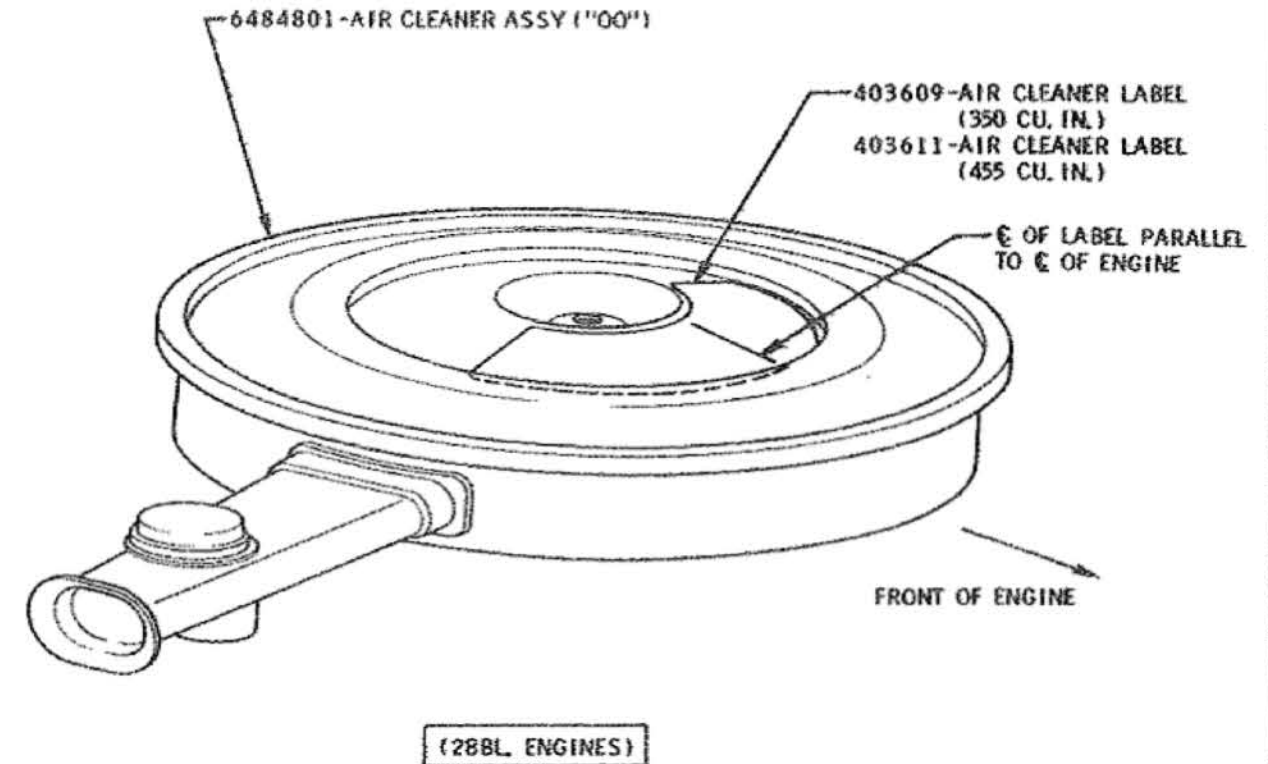
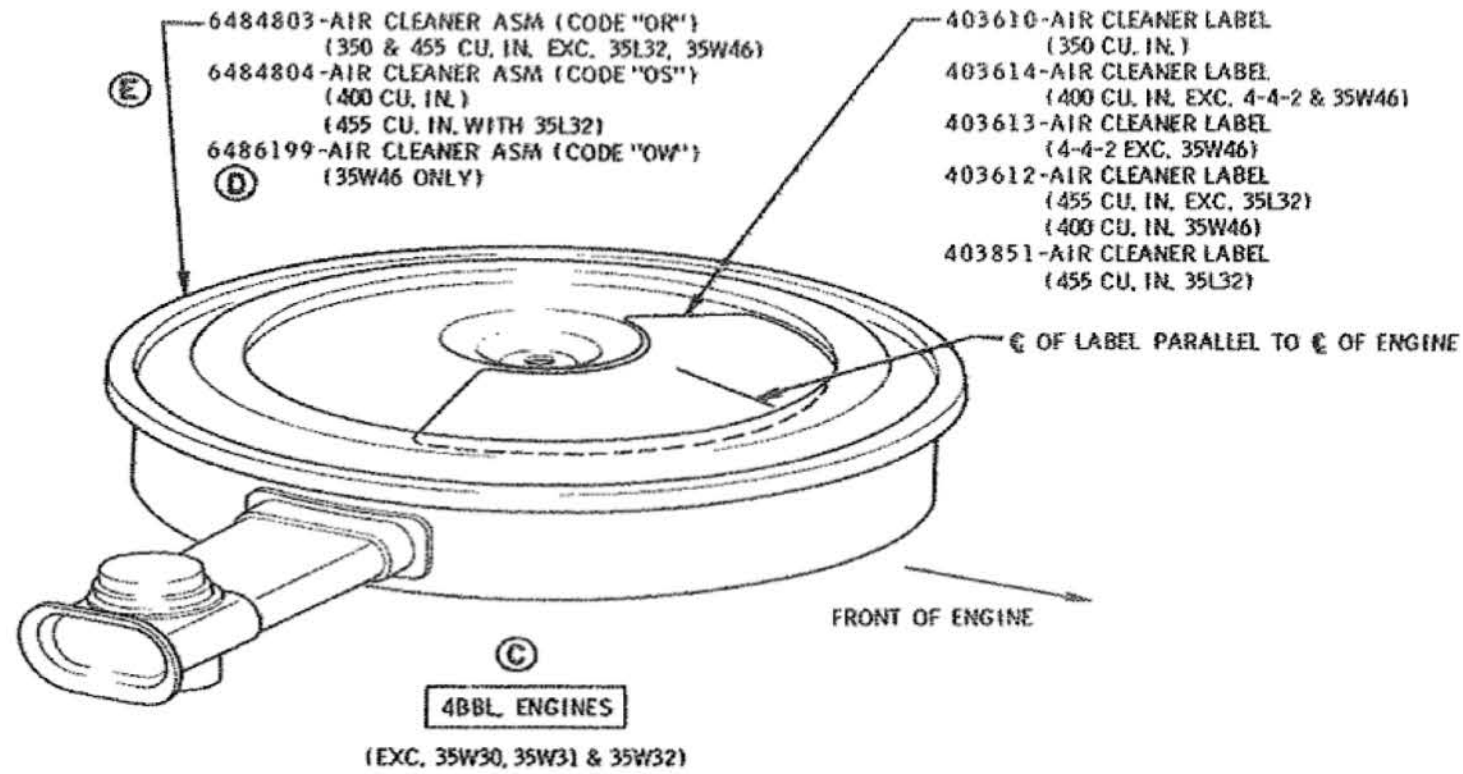
Ⓔ 3-5 LB. FT.
Ⓔ 12-20 LB. IN.

DATE	SYM	REVISION	DR.	CK.	DATE	SYM	REVISION	DR.	CK.	DATE	SYM	REVISION	DR.	CK.	APPR.	TITLE	FIRST USED	OLDSMOBILE PRODUCT INFORMATION MANUAL	MANUAL SEC.	PAGE	
					3-8-69	E	PART NO'S REMOVED								CMPB	STANDARD AIR CLEANER, CRANKCASE VENTILATION & 35W46					
					1-10-69	D	REVISED & REDRAWN								CMPB	DATE APRIL 17, 1968	FIRST USED 1969		6-1	150	
					11-21-68	C	PART NO'S REVISED								CMPB	DR BY CUET MAY					
					11-21-68	B	35W46 ADDED								CMPB	CHECKED [Signature]					
					9-26-68	A	BACKGROUND REVISED								CMPB	APPR. [Signature]	REF. 6H-6M3	SERIES A-B-C			
																APPR. [Signature] 4/11/68	35W46				PART NO. 401900-1

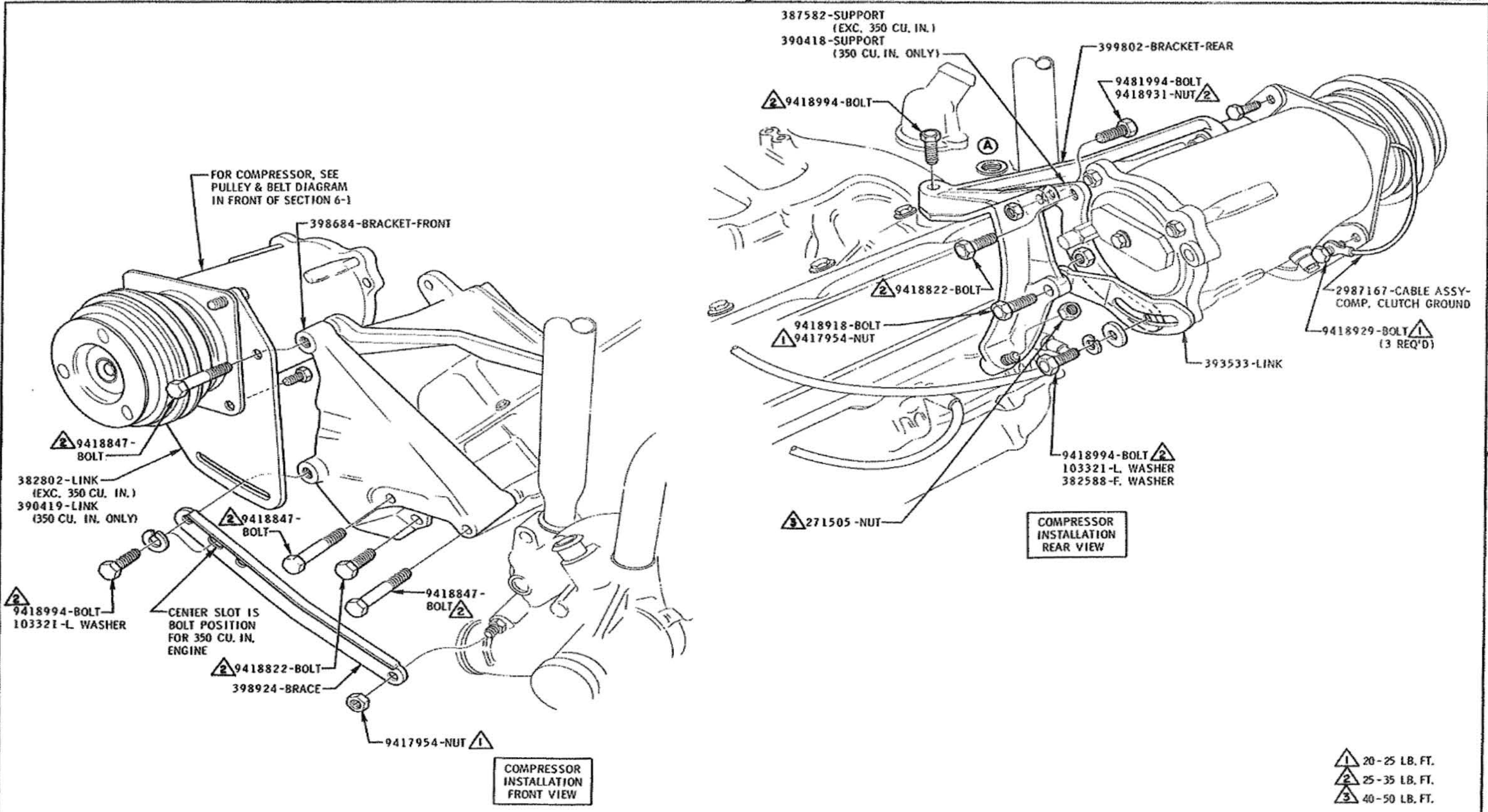
OLDSMOBILE DIVISION

GENERAL MOTORS CORPORATION
LANSING — MICHIGAN

W. GARDNER, INC. 7055



DATE	SYM	REVISION	DR.	CK.	DATE	SYM	REVISION	DR.	CK.	DATE	SYM	REVISION	DR.	CK.	APPR.	TITLE	FIRST USED	OLDSMOBILE PRODUCT INFORMATION MANUAL	MANUAL SEC.	PAGE	REF.	SERIES	PART NO.
					3-18-69	E	NOTES REVISED									AIR CLEANERS & LABEL IDENTIFICATION	1969		6-1	151		A-B-C	401900-1
					3-18-69	D	WAS 698597Z									DATE APRIL 17, 1968							
					1-10-69	C	35W46 INFO. ADDED									DR. BY CURT MAY							
					11-21-68	B	35W32 ADDED									CHECKED BY J. B. BART							
					4-26-68	A3	CODE LETTERS ADDED									APPR. J. B. BART							
																APPR. SM 4/18/68							



TITLE A/C COMPRESSOR & BRACKETS												FIRST USED 1969		OLDSMOBILE PRODUCT INFORMATION MANUAL		MANUAL SEC. PAGE	
DATE APRIL 17, 1968						DR. BY CURT MAY		CHECKED JMBarnhart		APPR. B. L. Ford		REF. (HACC) 35C60		SERIES B-C		PART NO. 401901	
9-26-68 A BACKGROUND REVISED OMPB						APPR. S.W. 4/12/68		REF. (HACC) 35C61									
DATE	SYM	REVISION	DR. CK.	DATE	SYM	REVISION	DR. CK.	DATE	SYM	REVISION	DR. CK.	DATE	SYM	REVISION	DR. CK.	DATE	SYM

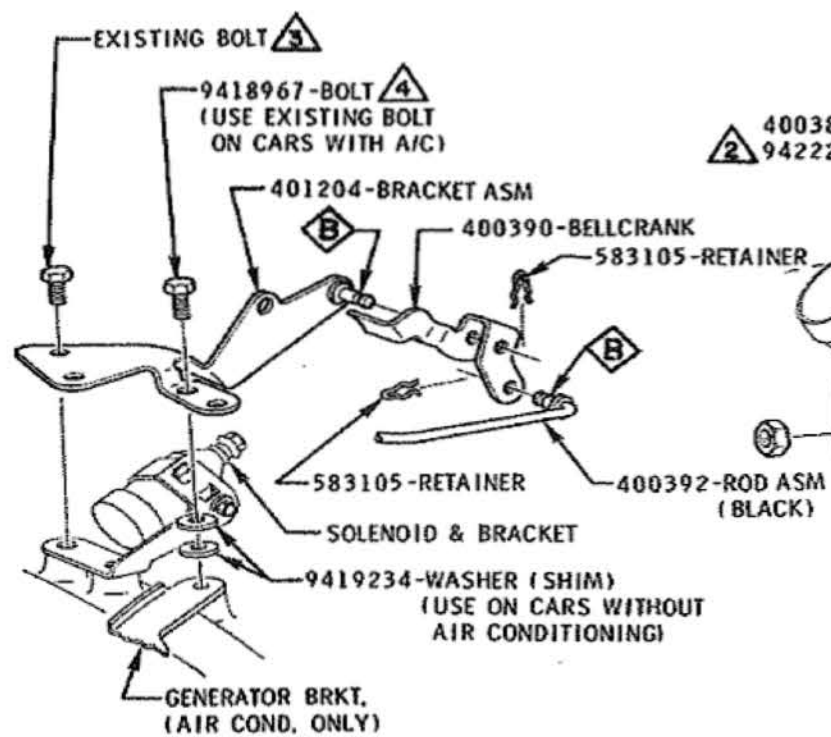
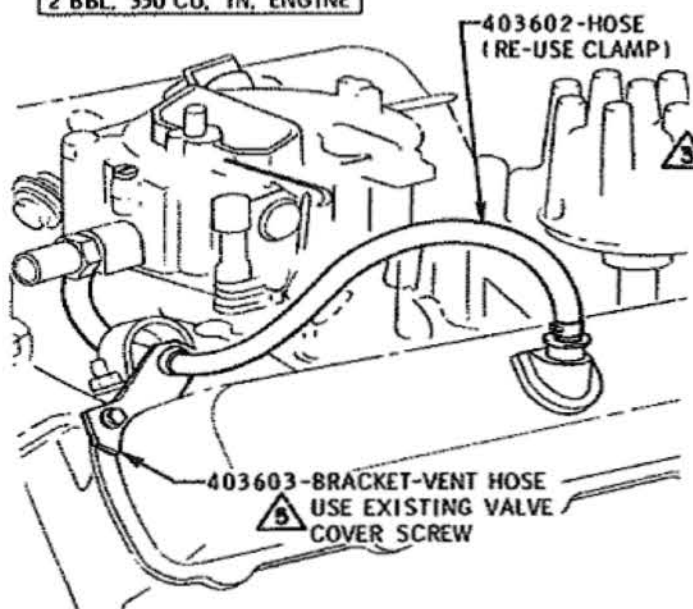


FIGURE 1

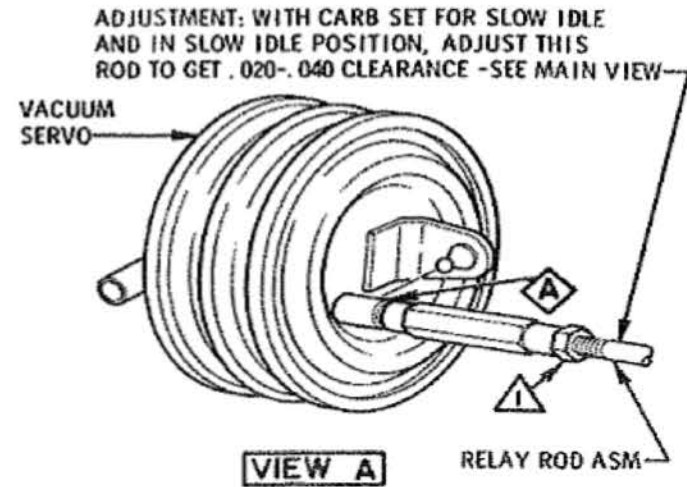
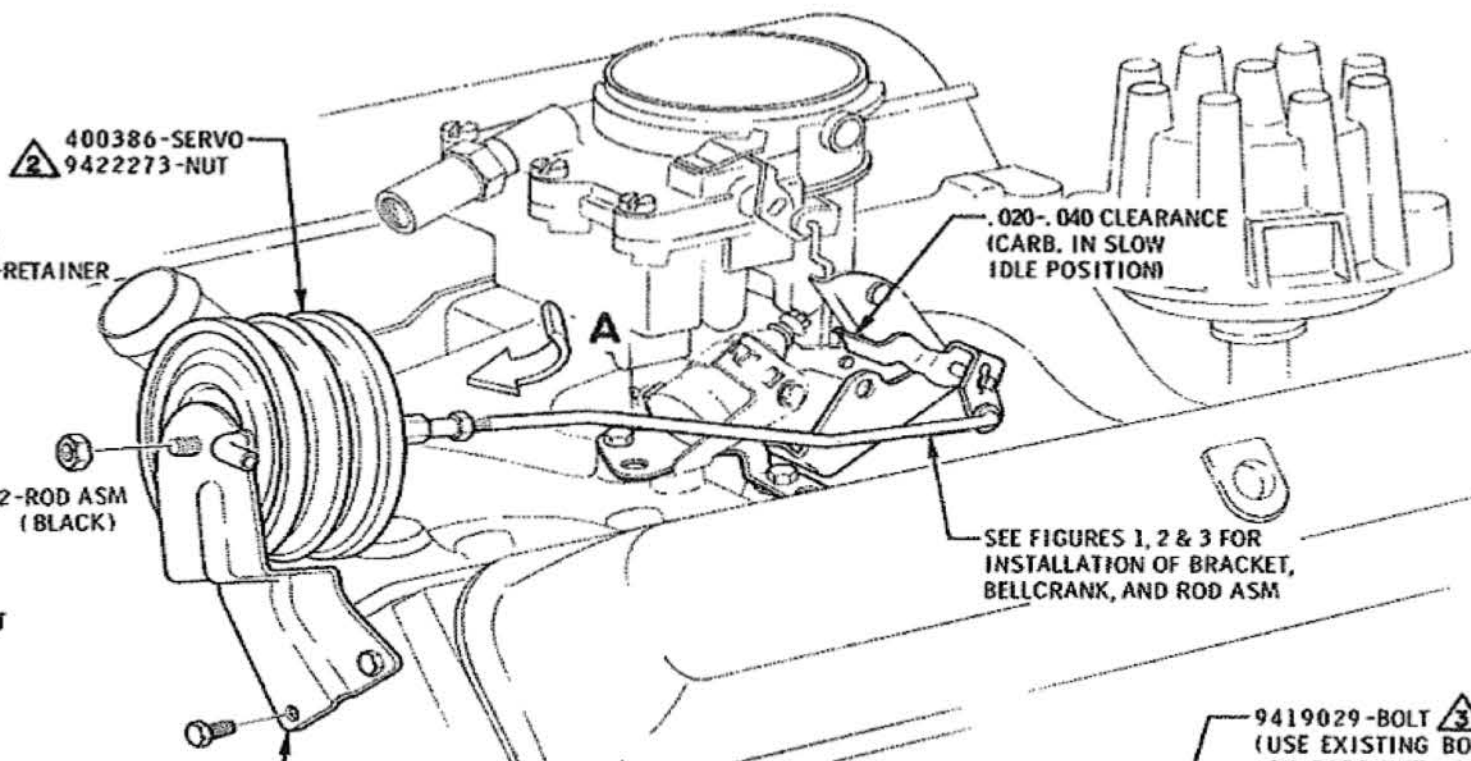
2 BBL. 350 CU. IN. ENGINE



INSTALLATION CRANKCASE VENTILATION HOSE & BRACKET (4 BBL. CARBURETOR ONLY)

FIGURE 3

4 BBL. 455 CU. IN. ENGINE



VIEW A

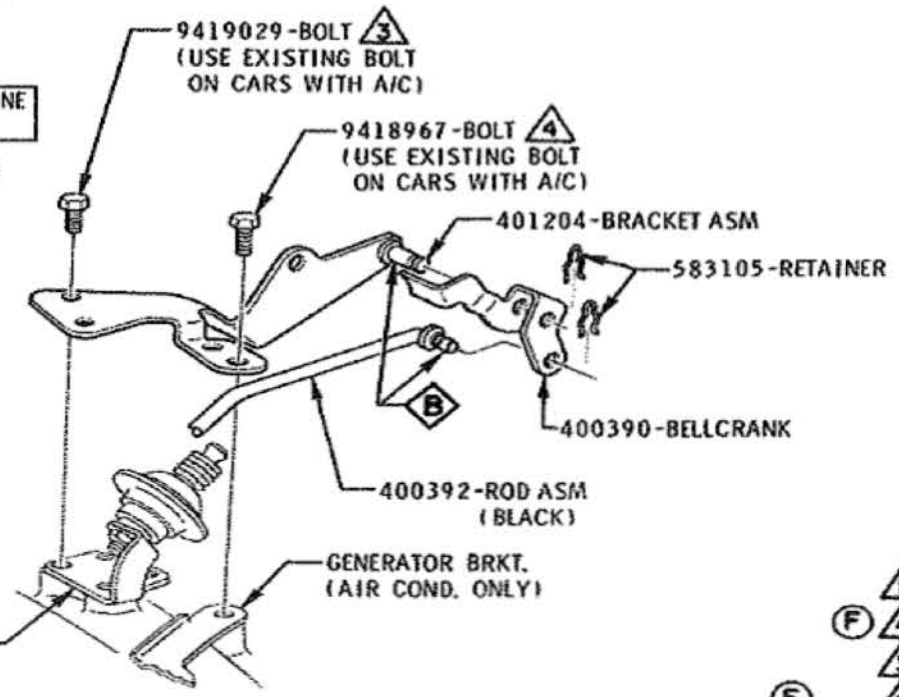


FIGURE 2

2 BBL. 455 CU. IN. ENGINE

NOTE: SERVO ROD IS INSTALLED TO OUTBOARD SIDE OF BELLCRANK ON 350 CU. IN. ENGINES AND INBOARD SIDE OF BELLCRANK ON 455 CU. IN. ENGINES

- (3) 60-90 LB. IN.
- (4) 25-35 LB. FT.
- (5) 14-17 LB. FT.
- (2) 30-40 LB. IN.
- (1) 48-72 LB. IN.

(A) APPLY 9985038 GREASE TO BALL SOCKET PRIOR TO ASSEMBLY LUBRICATE AREAS INDICATED (B) WITH 9985002 OIL

DATE	SYM	REVISION	DR.	CK.	DATE	SYM	REVISION	DR.	CK.	DATE	SYM	REVISION	DR.	CK.	APPR.	TITLE	FIRST USED	OLDSMOBILE PRODUCT INFORMATION MANUAL	MANUAL SEC.	PAGE
					8-29-68	E	WAS 40-60 LB. IN.									CRUISE CONTROL CARBURETOR LINKAGE				
					8-21-68	D	WAS 48-64 LB. IN.									DATE MAY 4, 1968	1969		6-1	350
					7-31-68	C	WAS 9418967-NUT									DR. BY CUET MAY				
					9-26-68	G	WAS 9418967									CHECKED/MB				
					9-26-68	F	WAS 20-30 LB. FT.									APPR. J. K. GARDNER				
																SERIES				
																B-C				
																PART NO.				
																401901				



SECTION 7 TRANSMISSION

- 100 TRANSMISSION CHARTS
- 110 CLUTCH CONTROL AND SYNCHROMESH
- 135 AUTOMATIC TRANSMISSION AND
SHIFT CONTROL
- 145 AUTOMATIC FLOOR SHIFT
- 155 AUTOMATIC TRANSMISSION
COOLER PIPES

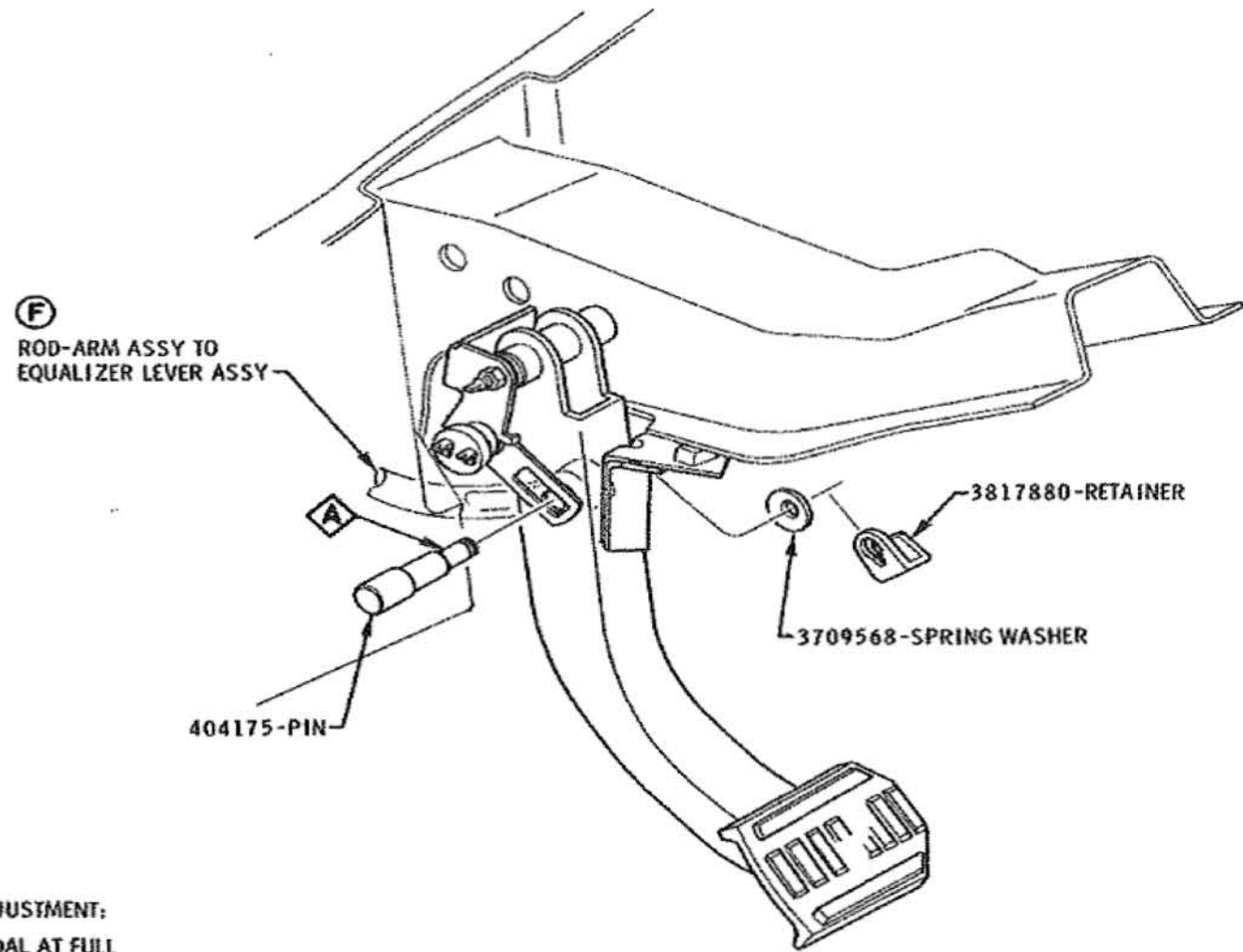
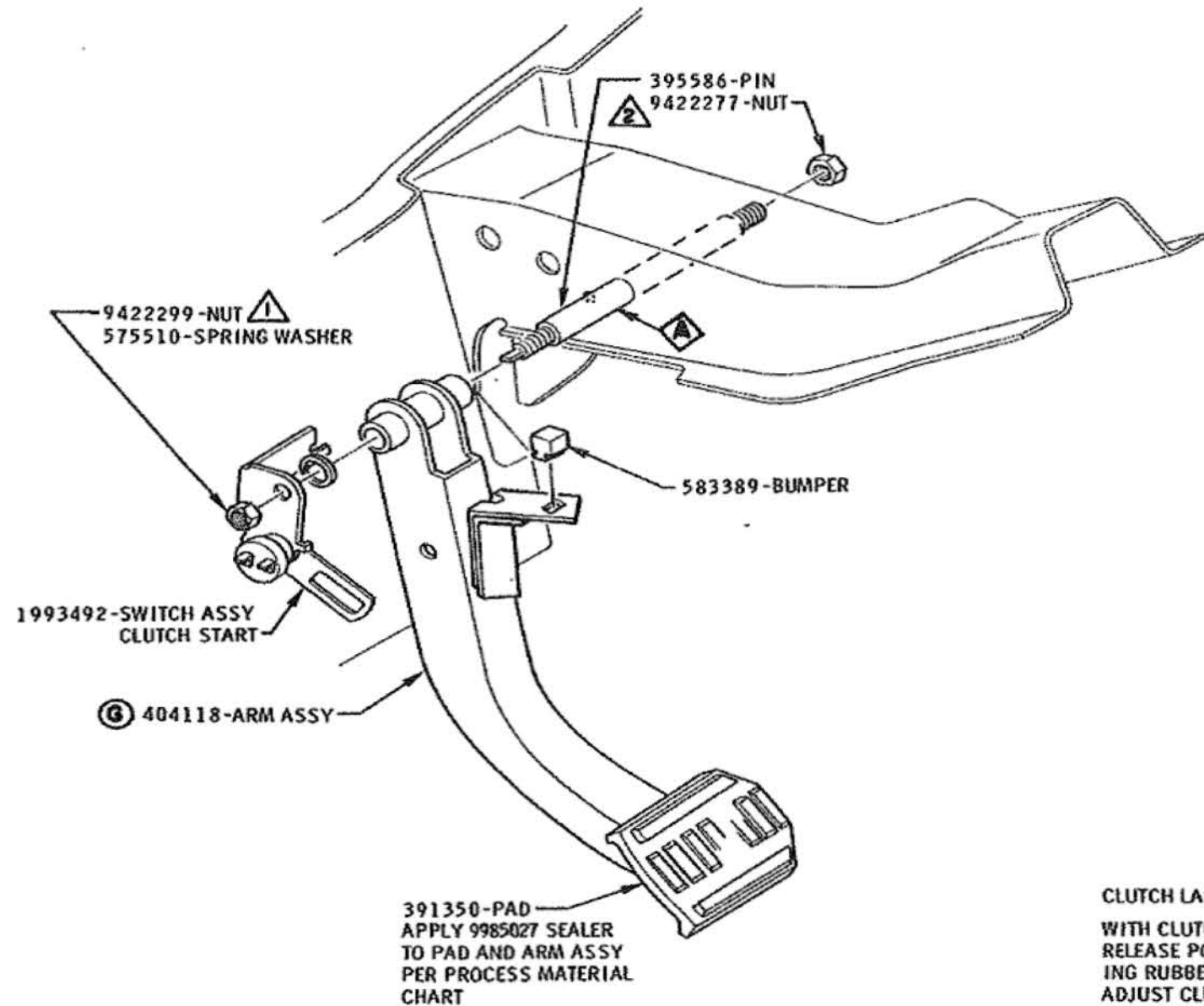
OLDSMOBILE DIVISION GENERAL MOTORS CORPORATION
LANSING — MICHIGAN

G. 449000-001 (REV. 1967)

PART NO.	IDENTIFICATION	SERIES	RELEASE GROUP	SPEEDOMETER DRIVE GEAR	LOCATION OF IDENTIFICATION
3919349 3919355 9793425 9793425 9793426	QP RJ DB DB DA	MANUAL 3 SPEED 31, 3500 32, 36, 42, 4800 4400 32, 36, 4200 54, 64, 6600	7 7 7 M14 7	8 TOOTH 8 TOOTH 8 TOOTH 8 TOOTH NONE	1" HIGH LETTERS ON R.H. SIDE OF CASE ↓ 2" HIGH LETTERS ON R.H. SIDE OF EXTENSION ↓
3946797 3946798	XG XF	MANUAL 4 SPEED 32, 36, 42, 44, 4800 (WIDE RATIO) 32, 36, 42, 4400 (CLOSE RATIO)	M20 M21	8 TOOTH (30 PITCH) 8 TOOTH (30 PITCH)	1" HIGH LETTERS ON R.H. SIDE OF CASE ↓
1386503 1386513 1230676 1230675	LC MM MS MU	2 SPEED "JETAWAY" AUTOMATIC 31, 3500 32, 3600 5400 (W/350 ENGINE) - K30 5400 (W/350 ENGINE) AND K30	M31 M31 M31 M31	17 TOOTH 17 TOOTH NONE 18 TOOTH	1" HIGH LETTERS ON R.H. SIDE OF CONVERTOR HOUSING ↓
6260004 6260070 6260147	JG JL JO	TURBO-HYDRAMATIC (CBC) 36, 4200 (2BBL.) 32, 36, 4200 (4BBL.) - W31 (U) 32, 3600 AND W31	M38 M38 M38	18 TOOTH 18 TOOTH 18 TOOTH	1" HIGH LETTERS ON R.H. SIDE OF CONVERTOR HOUSING ↓
(V) 8626625 8626490 8626494 8626493 8626486 8626489 8626486 8626488 8626487 8626487 8626492 8626312 8626312 8626313 8626313 8626495 8626496	OD OG OW OP OA OF OA OC OB OB OL OK OK OR OR OJ OM	TURBO-HYDRAMATIC 32, 36, 4200 4400 - W30, W46 (W) 4400 AND W30, W46 (W) 4800 AND L31 4800-L31 5400 (W/350 ENGINE) - K30 5400 (W/350 ENGINE) AND K30 5400 (W/455) 64, 6600 - L31, K30 84, 8600, 9860 - K30 54, 64, 6600 AND L31 - K30 54, 64, 6600 AND L32 54, 64, 6600 AND K30 AND L31 (T) 84, 8600, 9860 AND K30 5400 (W/455) AND K30 - L31 64, 6600 AND K30 - L31 92, 94, 9600 - W34 94, 9600 AND W34	M40 M40 M40 M40 M40 M40 M40 M40 M40 M40 7 M40 M41 M40 K30 M40 M40 7 W34	18 TOOTH 18 TOOTH 18 TOOTH 18 TOOTH 18 TOOTH NONE 18 TOOTH NONE NONE NONE NONE 18 TOOTH 18 TOOTH 18 TOOTH 18 TOOTH 18 TOOTH 18 TOOTH 14 TOOTH 14 TOOTH	2" HIGH LETTERS ON R.H. SIDE OF CONVERTOR HOUSING ↓ 1" HIGH LETTERS ON L.H. SIDE OF CONVERTOR HOUSING ↓

M40 TURBO-HYDRAMATIC TRANSMISSION
RECOMMENDED FOR TRAILER HAULING FOR
B SERIES CARS.

DATE	SYM	REVISION	DR.	CK.	DATE	SYM	REVISION	DR.	CK.	DATE	SYM	REVISION	DR.	CK.	APPR.	TITLE	FIRST USED	OLDSMOBILE PRODUCT INFORMATION MANUAL	MANUAL SEC.	PAGE	SERIES	PART NO.	
					12-11-68	W	M40 ADDED			1-5-68	V	8626625 ADDED				JAN 5, 1968	1969		7	100	A-B-C-E	403048	
					9-19-68	U	-W31 ADDED			9-19-68	T	SERIES ADDED				J. E. CASLER							
					3-19-68	S	6260147 ADDED									JAMES							



CLUTCH LASH ADJUSTMENT:
WITH CLUTCH PEDAL AT FULL
RELEASE POSITION, CONTACT-
ING RUBBER BUMPER STOP,
ADJUST CLUTCH RELEASE
ROD TO GIVE .76 TO 1.00
LASH AT PEDAL PAD, TIGHTEN
LOCK NUT ON CLUTCH RELEASE
ROD.

1 20 - 30 LB. FT.
2 120 - 180 LB. IN. (H)

LUBRICATE AREAS INDICATED (A) WITH
9985038 GREASE PRIOR TO ASSEMBLY

DATE	SYM	REVISION	DR.	CK.	DATE	SYM	REVISION	DR.	CK.	DATE	SYM	REVISION	DR.	CK.	APPR.	TITLE	FIRST USED	OLDSMOBILE PRODUCT INFORMATION MANUAL	MANUAL SEC.	PAGE	
					6-11-68	E-2	1993492 - SWITCH ADDED									TITLE CLUTCH CONTROL					
					6-11-68	D	585792-WASHER REMOVED									DATE JANUARY 15, 1968	FIRST USED	OLDSMOBILE PRODUCT INFORMATION MANUAL	7	110	
		3-10-69	H		6-11-68	C	WAS 395511-PIN									DR. BY P.J. MCKESSY	1969				
		10-14-68	G		5-29-68	B	WAS 395578 - ARM ASSY									CHECKED BY P. J. MCKESSY	REF. 701B				
		6-11-68	F		5-29-68	A	WAS 1363524 - BUMPER									APPR. F. ROZNOWSKI		SERIES			
																5/12/68		B	PART NO.	401901	

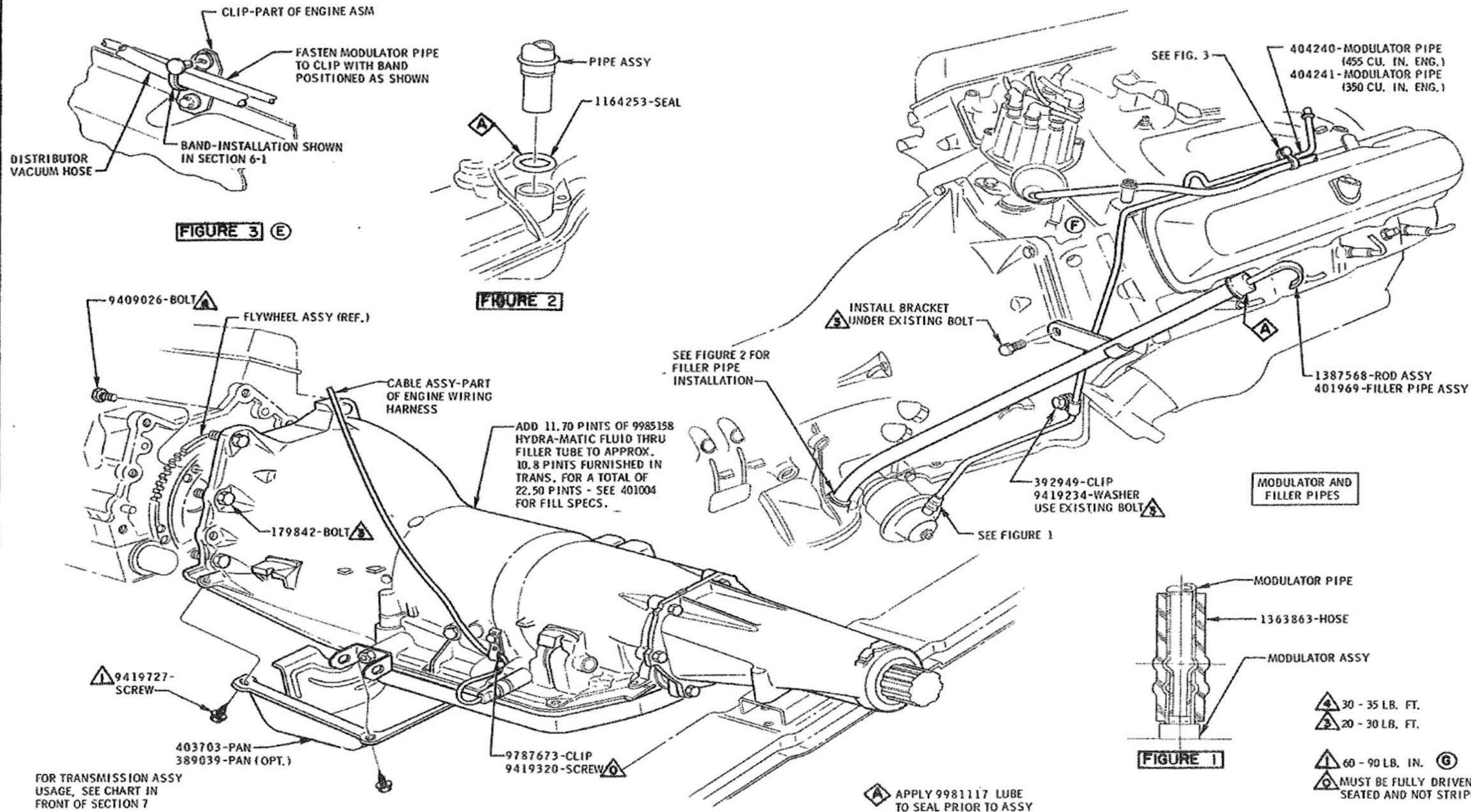


FIGURE 3 (E)

FIGURE 2

FIGURE 1

FOR TRANSMISSION ASSY USAGE, SEE CHART IN FRONT OF SECTION 7

DATE	SYM	REVISION	DR.	CK.	DATE	SYM	REVISION	DR.	CK.	DATE	SYM	REVISION	DR.	CK.	TITLE	FIRST USED	OLDSMOBILE PRODUCT INFORMATION MANUAL	MANUAL SEC.	PAGE
					9-10-68	E	VIEW REVISED TO DETAIL								TURBO HYDRAMATIC TRANSMISSION (35M40 - 35M41)				
					6-26-68	D	WAS 400661								DATE FEBRUARY 13, 1968	FIRST USED 1969			
					6-26-68	C	WAS 400660								DR. BY ROE - LOCATELLI				
					1-2-69	G	WAS 30-60 LB. IN.								CHECKED/MJBarnhart				
					11-18-68	F	BOLT & CLIP REMOVED								APPR. E. ROZNOWSKI	REF. 7 & 3A 35M40 783C	SERIES B-C	PART NO.	401901

- 48 - 84 LB. IN.
- 30 - 50 LB. IN.
- MUST BE FULLY DRIVEN, SEATED AND NOT STRIPPED.

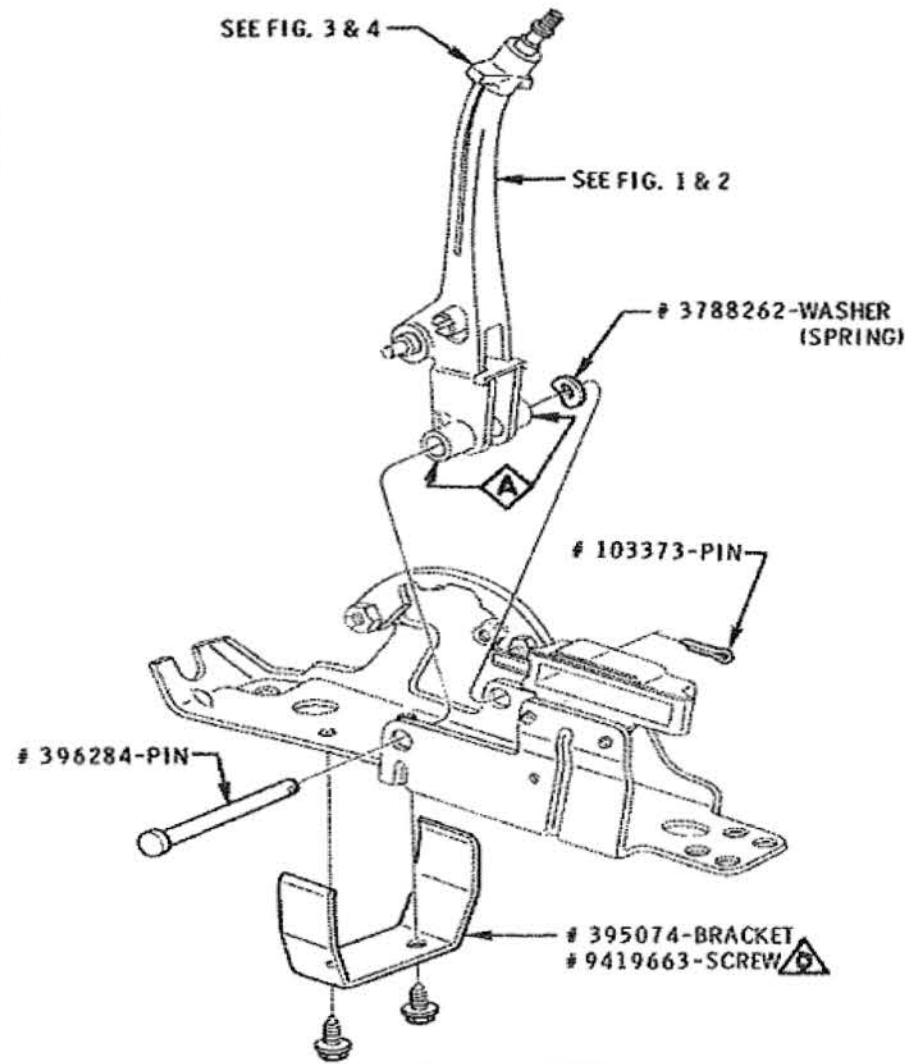
- ★ # 396324 - PLATE-SHIFT LEVER INDEX "2" (35M31)
- ★ # 396272 - PLATE-SHIFT LEVER INDEX "3" (35M38, 35M40, "E" CAR)

- # 9419565-BOLT
- # 9419143-NUT

- # 1993381 - SWITCH-NEUTRAL START & BACK-UP LAMP (SEE PAGE 146 FOR ADJUSTMENT)
- # 9419663-SCREW

SEE FIG. 3 & 4

SEE FIG. 1 & 2



★ INSTALL THESE PARTS WITH IDENTIFICATION FACING OUTWARD TOWARD LEFT HAND SIDE OF CAR

PART OF BRACKET SHOP ASSY; SEE 397089 CHART

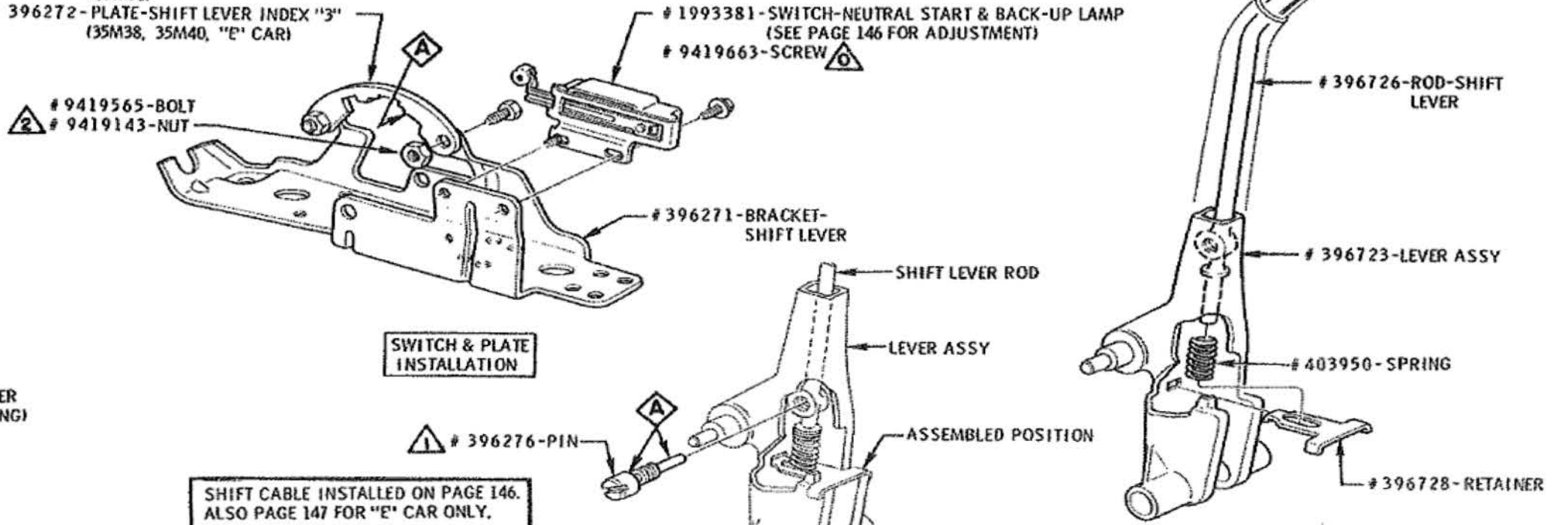
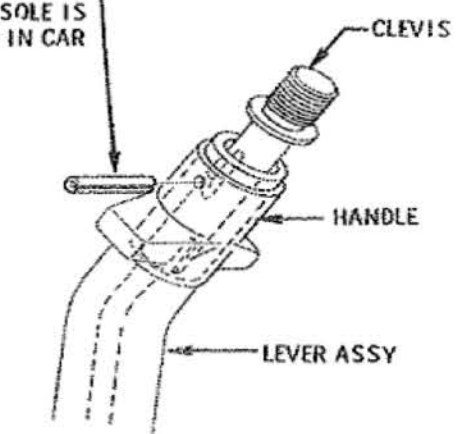
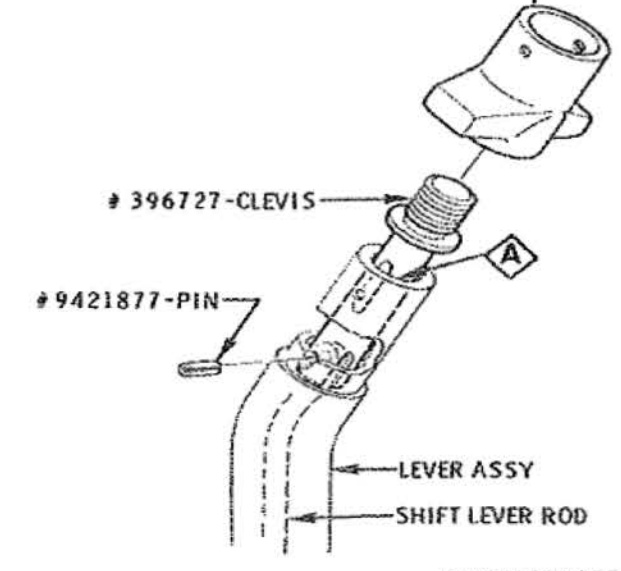


FIGURE 1

FIGURE 2

396729-HANDLE
9423664-PIN
TO BE ASSEMBLED
AFTER CONSOLE IS
INSTALLED IN CAR



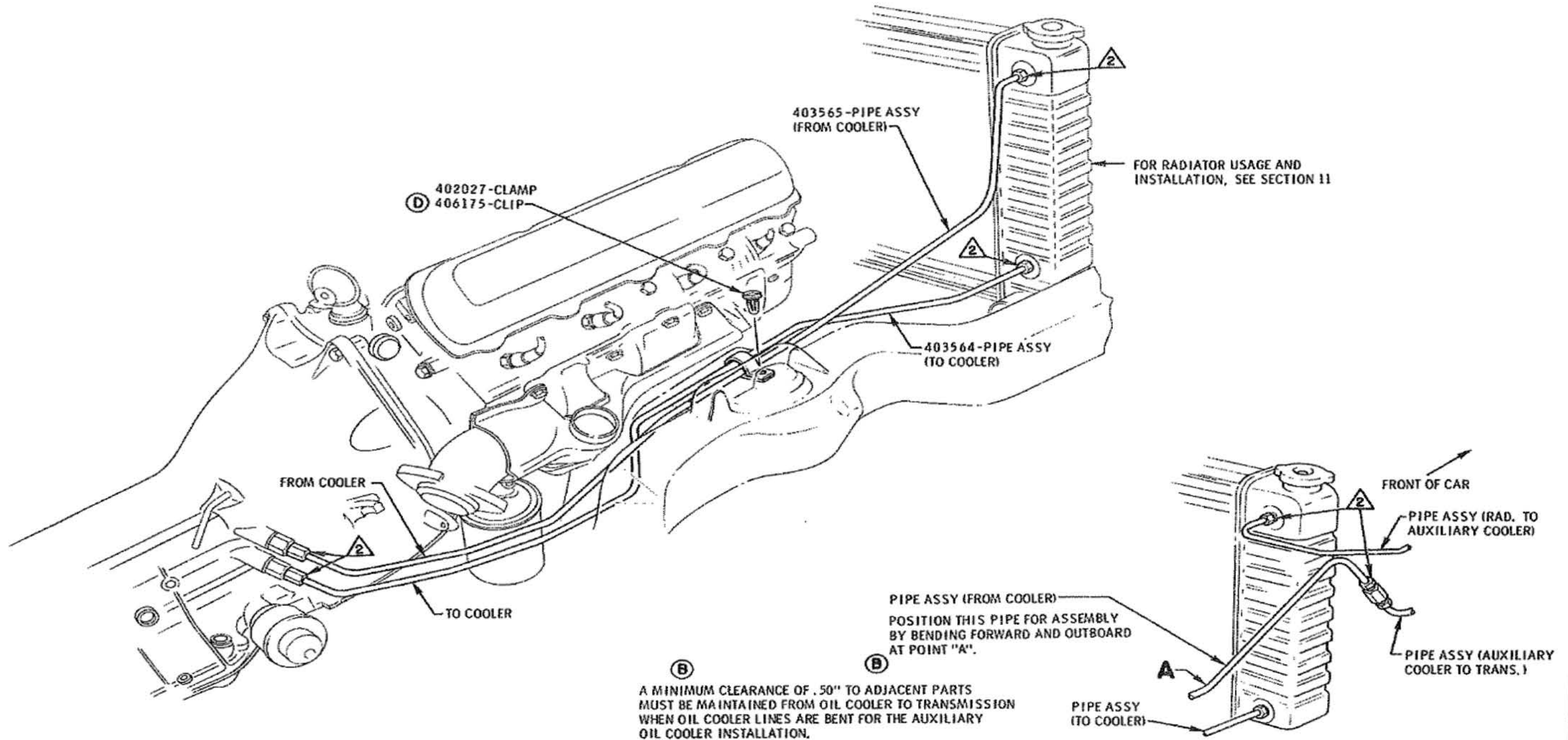
SHIFT CABLE INSTALLED ON PAGE 146.
ALSO PAGE 147 FOR "E" CAR ONLY.

SHIFT CABLE ADJUSTMENT PROCEDURE

1. PUT SHIFT HANDLE IN PARK POSITION, TRANSMISSION MANUAL LEVER IN PARK POSITION AND IGNITION KEY IN LOCK POSITION.
2. ("A", "B") WITH ROD PULLED LIGHTLY AGAINST LOCK STOP, TIGHTEN SCREW IN CLAMP AT LOWER END OF SHIFT ROD TO SPECIFIED TORQUE.
3. ("E") WITH ROD 403200 PULLED DOWN LIGHTLY AGAINST STOP, OR PULLED DOWN UNTIL THE RELAY ROD END IS FLUSH WITH REAR SIDE OF CLAMP (SEE PAGE 140, VIEW A), WHICH EVER CONDITION IS MET FIRST, TIGHTEN SCREW IN CLAMP TO SPECIFIED TORQUE.
4. CHECK OPERATION:
 - A. MOVE SHIFT HANDLE INTO EACH GEAR POSITION AND SEE THAT TRANSMISSION MANUAL LEVER IS ALSO IN DETENT POSITION.
 - B. WITH KEY IN "RUN" POSITION AND TRANSMISSION IN "REVERSE", BE SURE THAT KEY CANNOT BE REMOVED AND THAT STEERING WHEEL IS NOT LOCKED.
 - C. WITH KEY IN "LOCK" POSITION AND TRANSMISSION IN "PARK", BE SURE THAT KEY CAN BE REMOVED AND THAT STEERING WHEEL IS LOCKED.

LUBRICATE AREAS INDICATED WITH 9985038 GREASE PRIOR TO ASSEMBLY

DATE	SYM	REVISION	DR.	CK.	DATE	SYM	REVISION	DR.	CK.	DATE	SYM	REVISION	DR.	CK.	TITLE	FIRST USED	OLDSMOBILE PRODUCT INFORMATION MANUAL	MANUAL SEC.	PAGE
					8-7-68	E	NOTE REVISED								AUTOMATIC TRANSMISSION FLOOR SHIFT CONTROL				
					6-17-68	D	NOTE REVISED								DATE JANUARY 11, 1968	FIRST USED			
					5-17-68	C	IDENTIFICATION REVISED								DR. BY H.E. MASON	1969			145
					4-25-69	G	TORQUES REVISED								CHECKED MFB amhart	REF. 35M31	SERIES		
					9-3-68	F	NOTE REVISED								APPR. F. ROZNOWSKI	1969	A-B-E		
					5-17-68	B	ADJUSTMENT NOTE ADDED								APPR. SM 1-16-68	35M38	PART NO.		
					5-17-68	A	WAS 396283									35M40	401900-1-2		



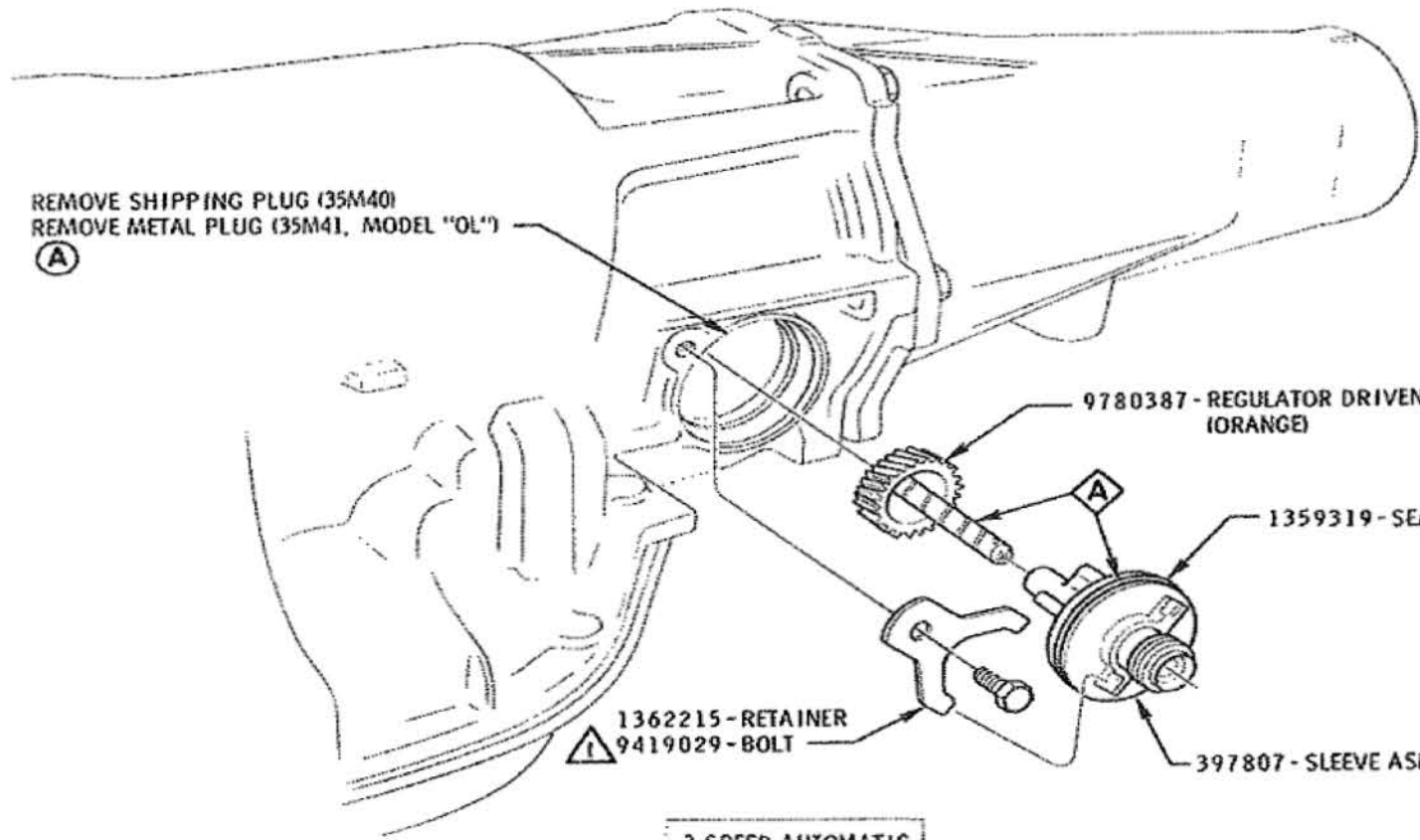
(B) A MINIMUM CLEARANCE OF .50" TO ADJACENT PARTS MUST BE MAINTAINED FROM OIL COOLER TO TRANSMISSION WHEN OIL COOLER LINES ARE BENT FOR THE AUXILIARY OIL COOLER INSTALLATION.

NOTE
FOR INSTALLATION OF AUXILIARY OIL COOLER SEE SECTION 11.

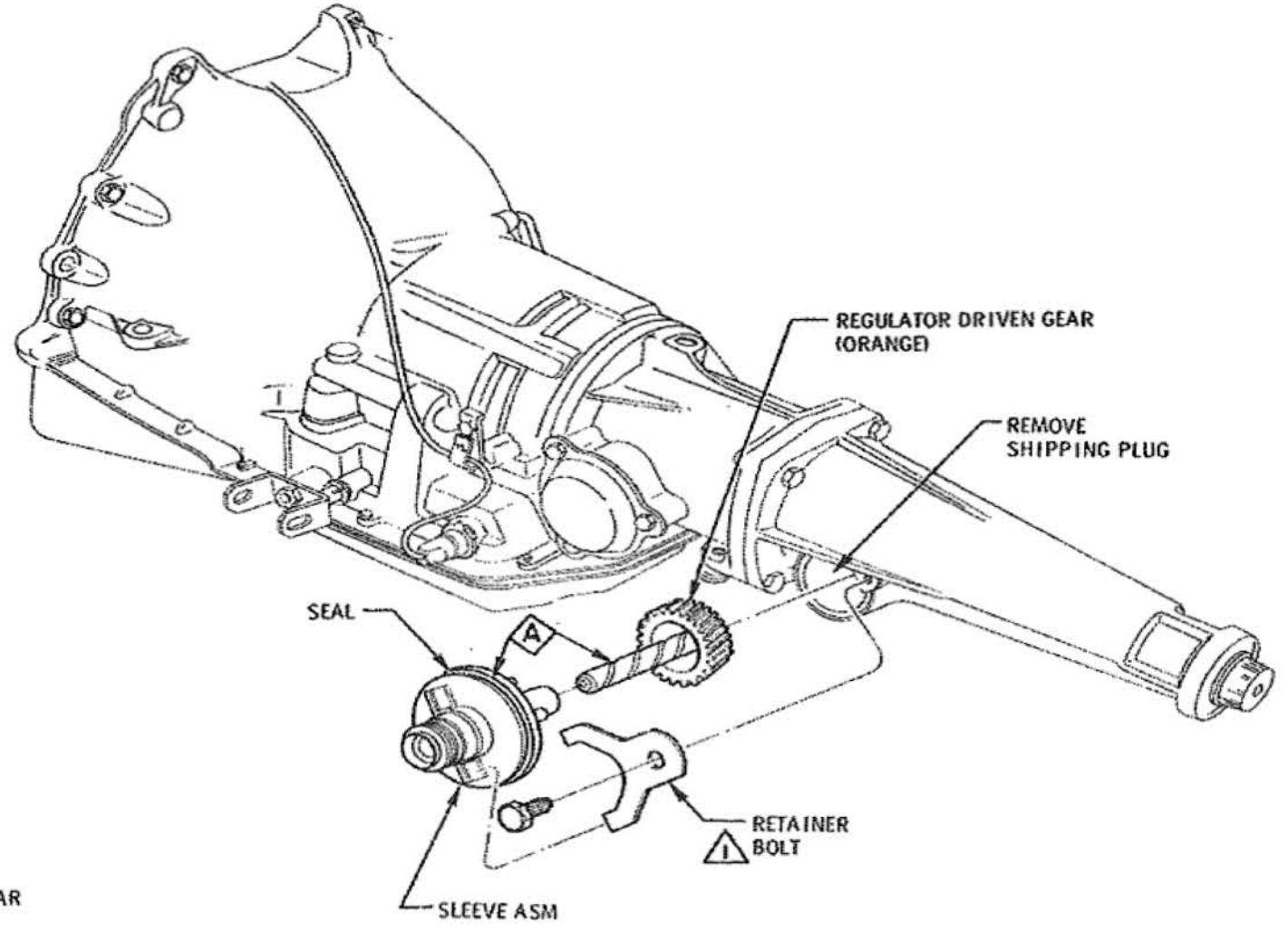
AUXILIARY OIL COOLER PIPES TO TRANS. OIL COOLER PIPES & RADIATOR (35M55)

(C) 2 15 - 25 LB. FT.

DATE	SYM	REVISION	DR.	CK.	DATE	SYM	REVISION	DR.	CK.	DATE	SYM	REVISION	DR.	CK.	APPR.	TITLE	FIRST USED	OLDSMOBILE PRODUCT INFORMATION MANUAL	MANUAL SEC.	PAGE
					2-25-69	D	WAS 9420825- SCREW									AUTOMATIC TRANSMISSION OIL COOLER PIPES	1969		7	155
					10-8-68	C	TORQUE REVISED									DATE MARCH 5, 1968				
					7-31-68	B	NOTES REVISED									DR. BY P.J. MCKESSY				
					4-26-68	A	NOTE REVISED									CHECKED <i>[Signature]</i>	REF. 786 35M40-1			
																SERIES B-C				
																PART NO. 401901				



3 SPEED AUTOMATIC
(35M40, 35M41)



2 SPEED AUTOMATIC (5400 ONLY)
(35M31)

(PART NUMBERS ARE SAME AS 35M40, 35M41)

120 - 180 LB. IN.

LUBRICATE DRIVEN GEAR SHAFT AND SEAL AT ASSEMBLY WITH 9985158- OIL.

DATE	SYM	REVISION	DR. CK.	DATE	SYM	REVISION	DR. CK.	DATE	SYM	REVISION	DR. CK.	DATE	SYM	REVISION	DR. CK.	TITLE	FIRST USED	OLDSMOBILE PRODUCT INFORMATION MANUAL	MANUAL SEC.	PAGE
																CRUISE CONTROL REGULATOR DRIVEN GEAR	1969		7	350
				11-20-68	B	WAS 96-192 LB. IN.														
				8-8-68	A	NOTE REVISED														
																	35K30	B-C		401901



SECTION 8 FUEL AND EXHAUST

- 100 FUEL TANK CHART
- 110 FUEL SYSTEM
- 120 EXHAUST SYSTEM CHART
- 130 EXHAUST SYSTEM
- 133 EXHAUST SYSTEM CLEARANCE

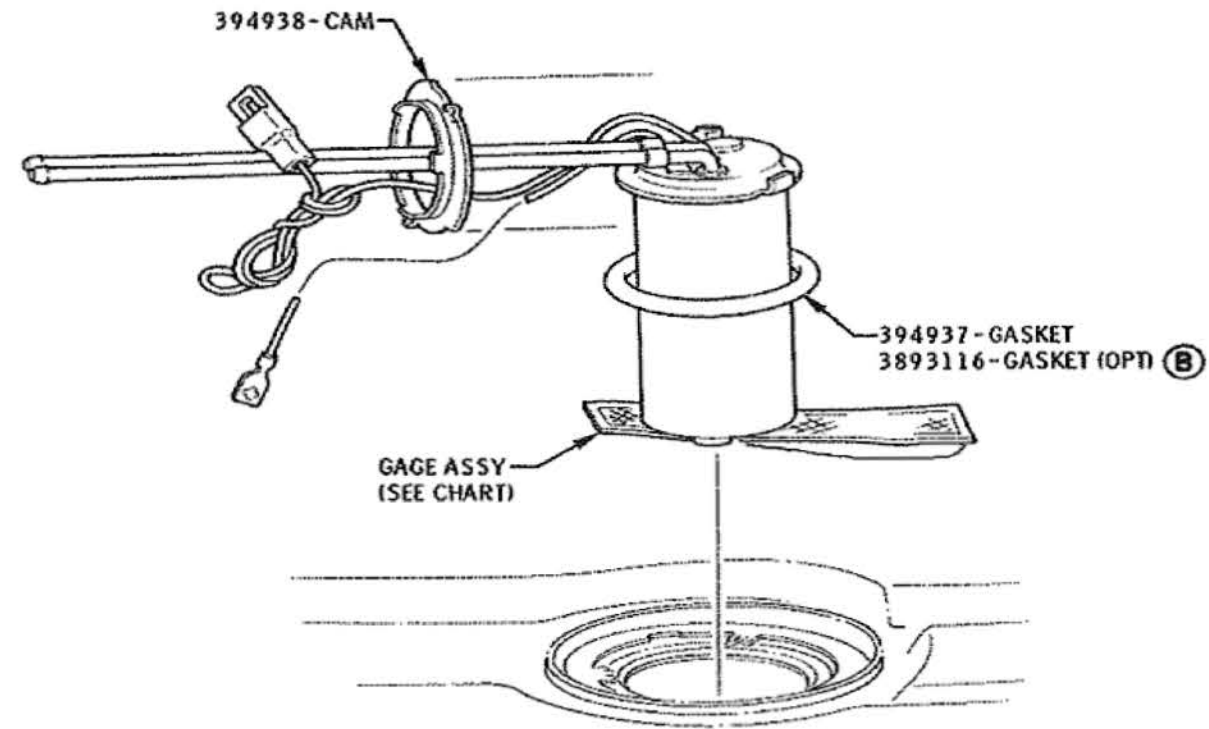
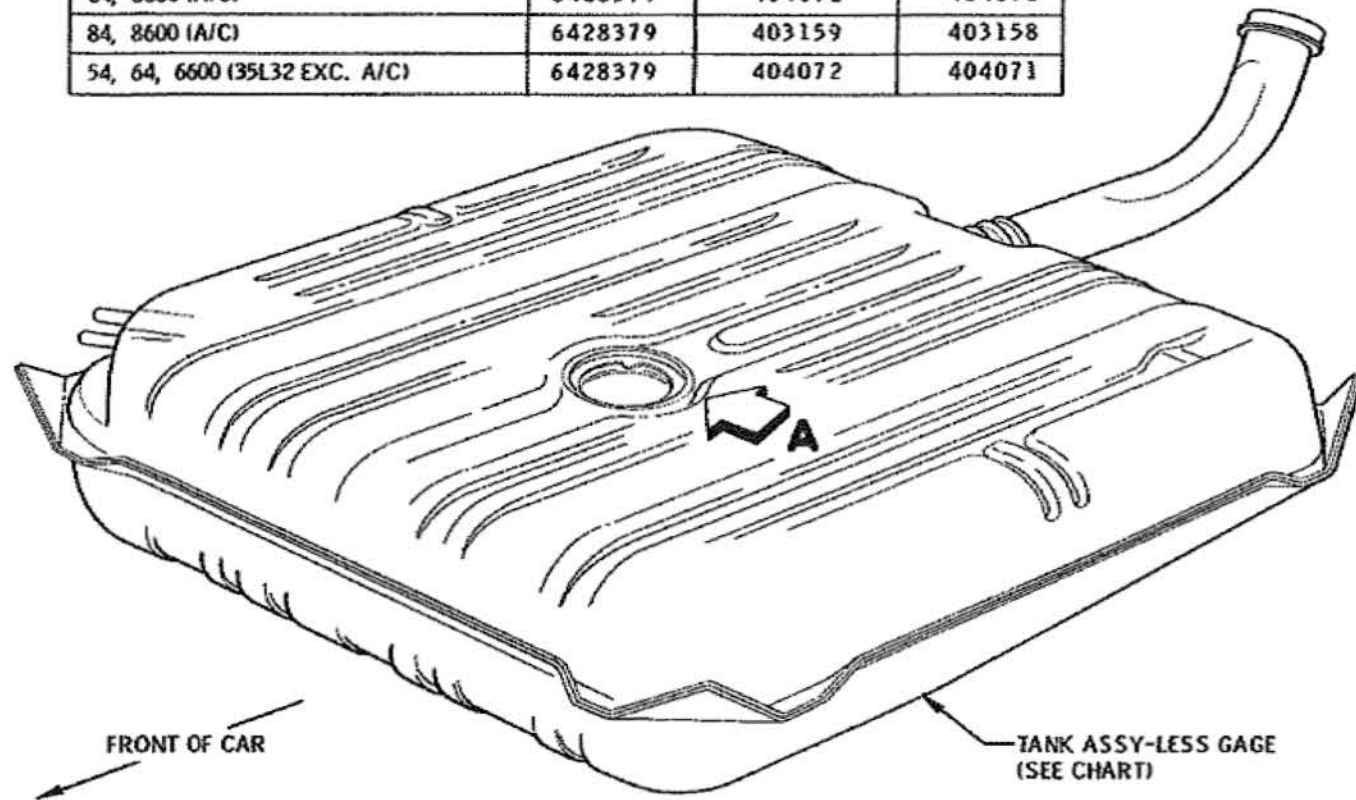
DATE 6-17-68

MANUAL NO. 401901

SERIES B-C

FUEL GAGE AND TANK ASM USAGE CHART

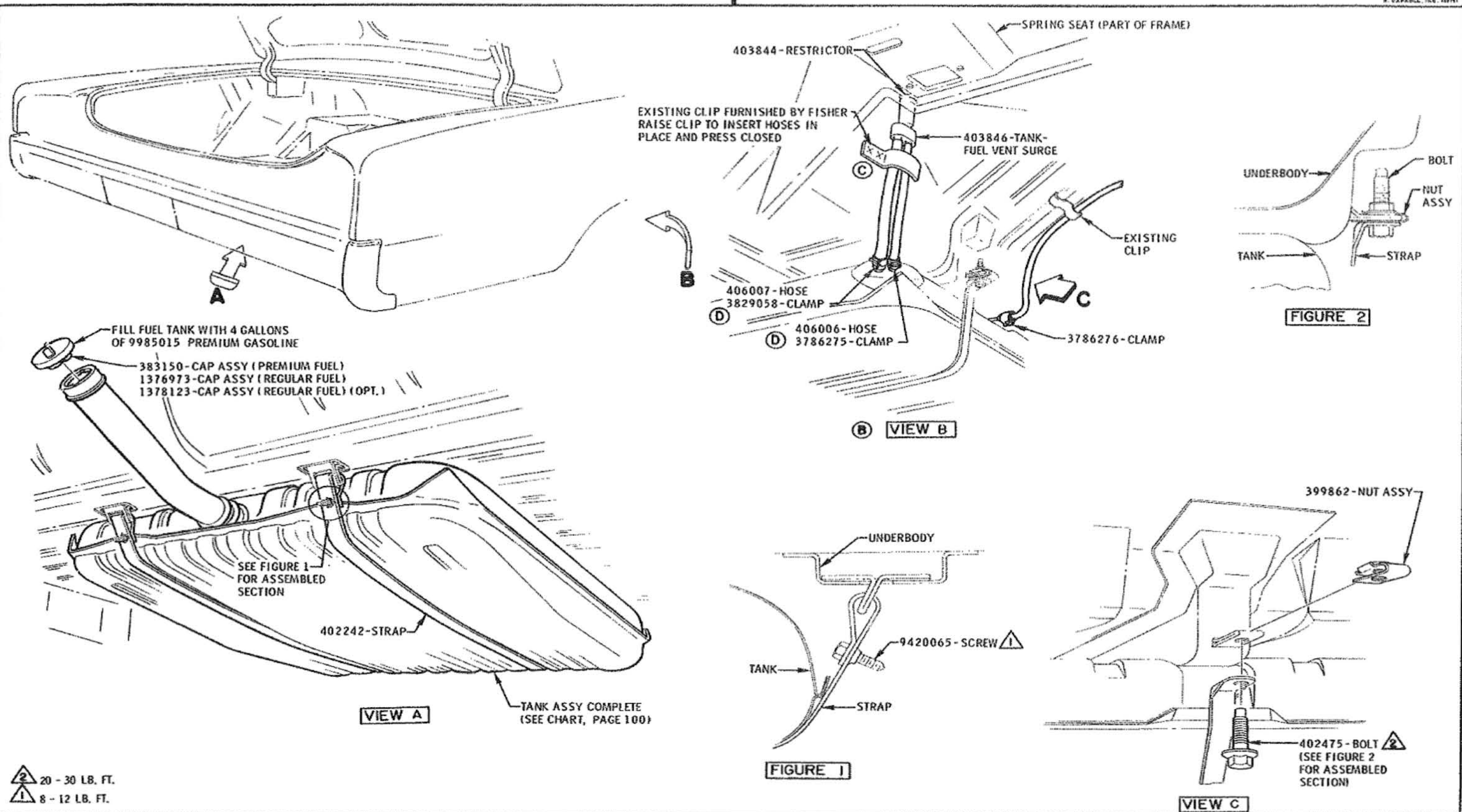
USAGE [Ⓒ]	GAGE ASM	TANK ASM (LESS GAGE)	TANK ASM (COMPLETE)
54, 64, 6600 (EXC. A/C AND OR 35L32)	6428380	404072	404070
84, 8600 (EXC. A/C)	6428380	403159	403157
5400 (A/C AND 35L30, L31, L32)	6428379	404072	404071
5400 (A/C AND 35M40 EXC. 35L30, L31)	6428379	404072	404071
5400 (A/C EXC. 35L30, L31, L32, M40)	6428380	404072	404070
64, 6600 (A/C)	6428379	404072	404071
84, 8600 (A/C)	6428379	403159	403158
54, 64, 6600 (35L32 EXC. A/C)	6428379	404072	404071



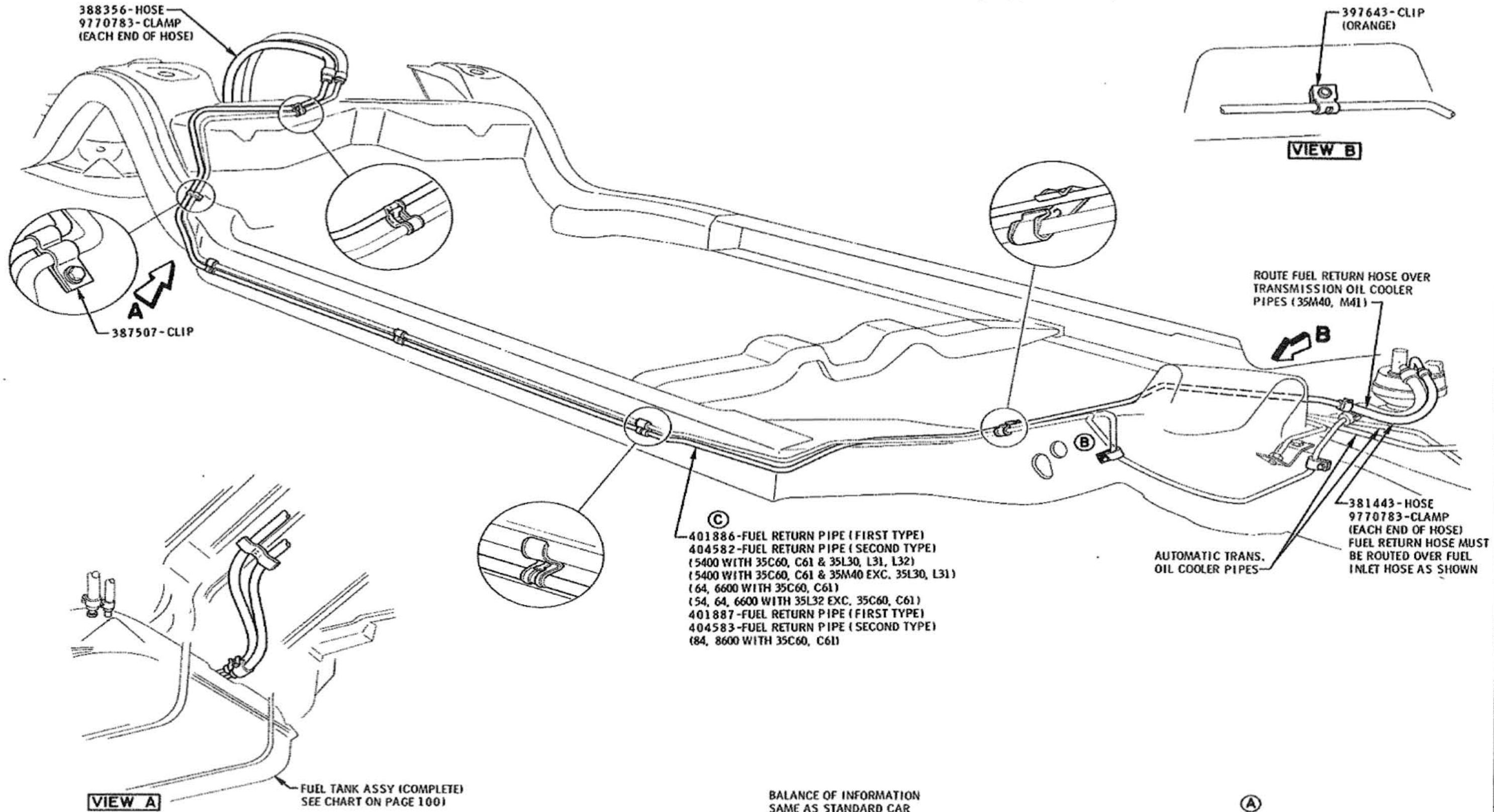
VIEW A

FUEL GAGE INSTALLATION

DATE	SYM	REVISION	DR.	CK.	DATE	SYM	REVISION	DR.	CK.	DATE	SYM	REVISION	DR.	CK.	TITLE	FIRST USED	OLDSMOBILE PRODUCT INFORMATION MANUAL	MANUAL SEC.	PAGE
															CHART-FUEL TANK ASSEMBLY COMPLETE	1969		8	100
					9-24-68	C	CHART REVISED	J13	MS						DATE DECEMBER 6, 1967				
					8-1-68	B	OPTION ADDED	J13	DT						DR. BY BOYER				
					5-29-68	A	CHART REVISED	J13	MS						CHECKED <i>W. Barnhart</i>				
															APP. <i>K. S. Koch</i>	REF. BA 35C60, C61	SERIES B-C	PART NO. 401901	
															APP. <i>MS - 1168</i>				



DATE	SYM	REVISION	DR.	CK.	DATE	SYM	REVISION	DR.	CK.	DATE	SYM	REVISION	DR.	CK.	TITLE	FIRST USED	OLDSMOBILE PRODUCT INFORMATION MANUAL	MANUAL SEC.	PAGE
					2-3-69	D2	WAS 395794/398234 HOSE	J13	MP						DATE DECEMBER 6, 1967	1969		8	111
					8-29-68	C	CLIP REVISED	J13	MP						DR. BY 130YER				
					4-29-68	B	REDRAWN & REVISED	J13	MP						CHECKED <i>WJ Bonhart</i>	REF. BA			
					2-26-68	A	STRAP REV. TO DETAIL	J13	MP						APPR. <i>TJF</i>	REF. BB	SERIES B-C	PART NO.	401901
															APPR. <i>SMC 1/31/68</i>				

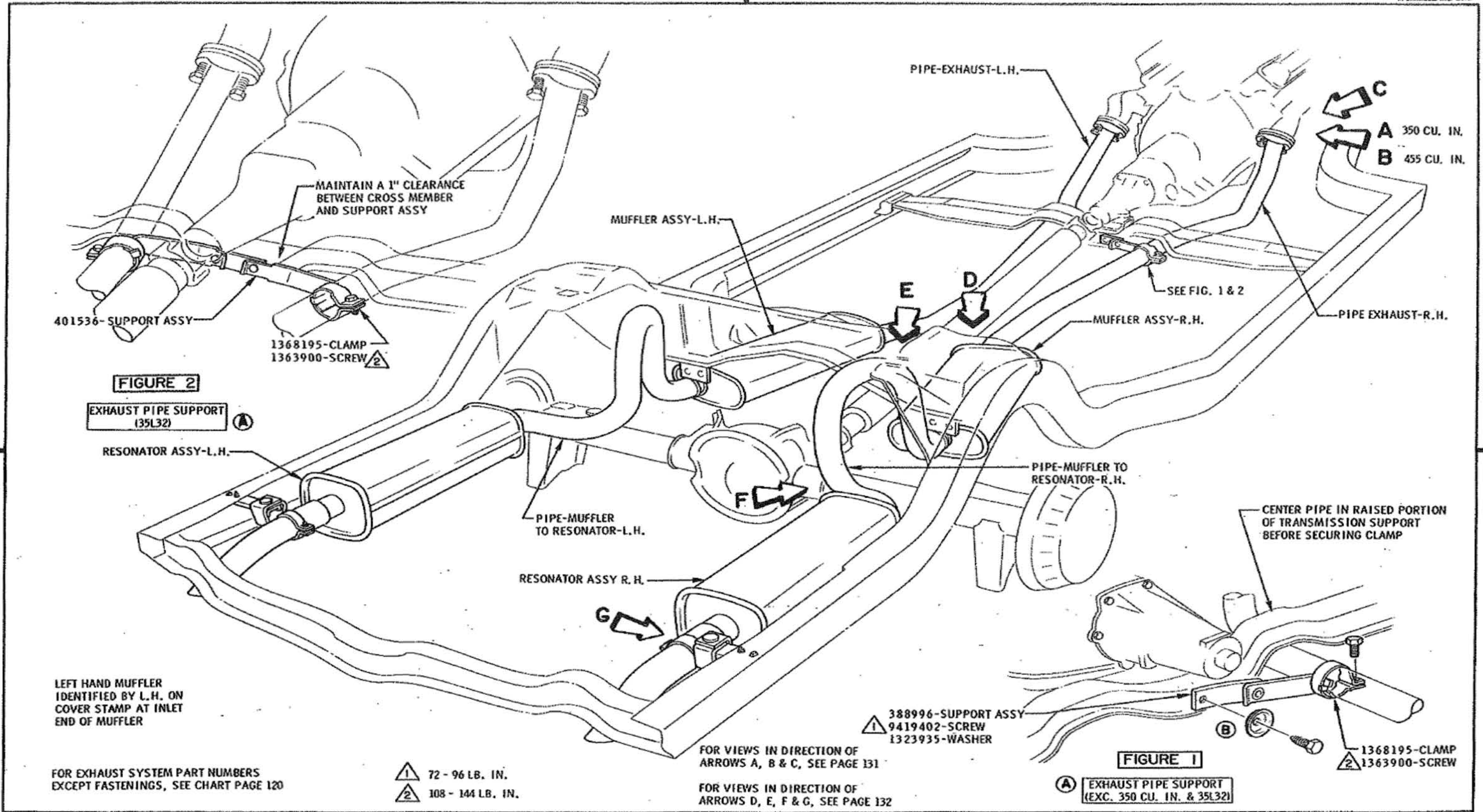


- (C)**
 401886-FUEL RETURN PIPE (FIRST TYPE)
 404582-FUEL RETURN PIPE (SECOND TYPE)
 (5400 WITH 35C60, C61 & 35L30, L31, L32)
 (5400 WITH 35C60, C61 & 35M40 EXC. 35L30, L31)
 (64, 6600 WITH 35C60, C61)
 (54, 64, 6600 WITH 35L32 EXC. 35C60, C61)
 401887-FUEL RETURN PIPE (FIRST TYPE)
 404583-FUEL RETURN PIPE (SECOND TYPE)
 (84, 8600 WITH 35C60, C61)

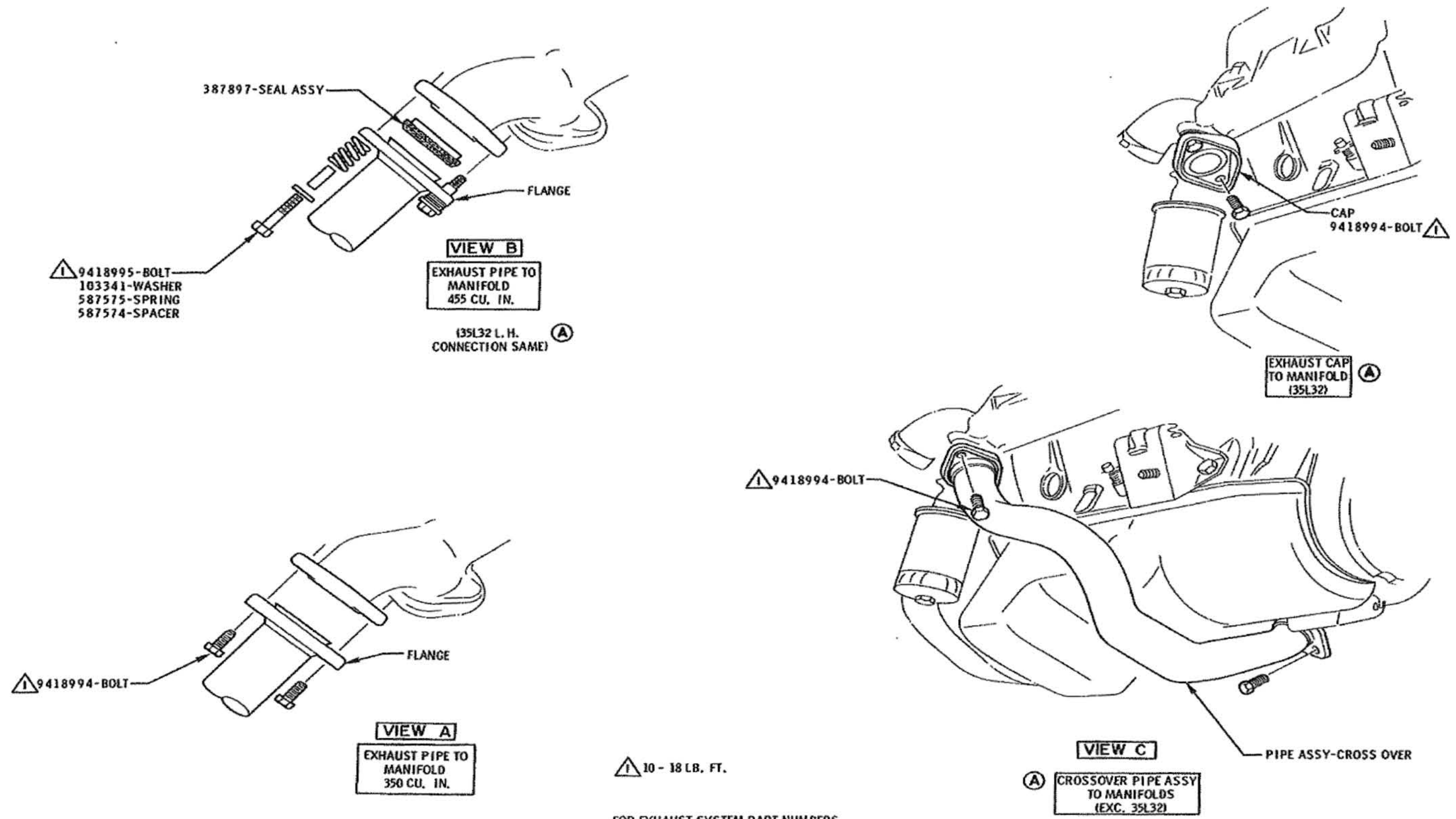
DATE	SYM	REVISION	DR. CK.	DATE	SYM	REVISION	DR. CK.	DATE	SYM	REVISION	DR. CK.	TITLE	FIRST USED	OLDSMOBILE PRODUCT INFORMATION MANUAL	MANUAL SEC.	PAGE
												FUEL RETURN SYSTEM	1969	8	112	
				9-26-68	C	PIPE NOTE REVISED	J13					DATE DECEMBER 8, 1967				
				8-21-68	B	2ND TYPE ADDED	J13					DR. BY 130YER				
				6-20-68	A	NOTE REMOVED	J13					CHECKED <i>mp Barnhart</i>	REF. 35C60	SERIES B-C	PART NO. 401901	
												APPR. <i>R. E. Ford</i>	35C61			
												APPR. <i>gms 1/25/68</i>	35L32			

MODEL	GROUP	CROSS OVER PIPE ASSY	EXHAUST MANIFOLD CAP	EXHAUST PIPE FLANGE	EXHAUST PIPE		MUFFLER ASSY		MUFFLER TO RESONATOR PIPE		RESONATOR ASSY	
					R. H.	L. H.	R. H.	L. H.	R. H.	L. H.	R. H.	L. H.
5400	8C	382484		382486	394490		400530					
5400	35M31				394590							
5400	35L30, L31 98L91	402901										
64, 6600	8C			394299	394591		387838		394398		395186	
54, 64, 6600	35L32		386498			392313	400530	388060		394399		395187
84-8600	8C	402901			394592		387838		402214			
54, 64, 6600	35G94				394591				394398		403566	
84-8600	35G94				394592				402214		ⓑ	

DATE	SYM	REVISION	DR.	CK.	DATE	SYM	REVISION	DR.	CK.	DATE	SYM	REVISION	DR.	CK.	TITLE	FIRST USED	OLDSMOBILE PRODUCT INFORMATION MANUAL	MANUAL SEC.	PAGE
															CHART - EXHAUST SYSTEM USAGE	1969		8	120
					7-25-68	B	PART NO. REMOVED								CHECKED <i>MPB</i>				
					6-4-68	A	CHART REVISED								APPR. <i>Ed J. Roe</i>				
															APPR. <i>SMC 1/23/68</i>				
																	SERIES	PART NO.	
																	B-C	401901	

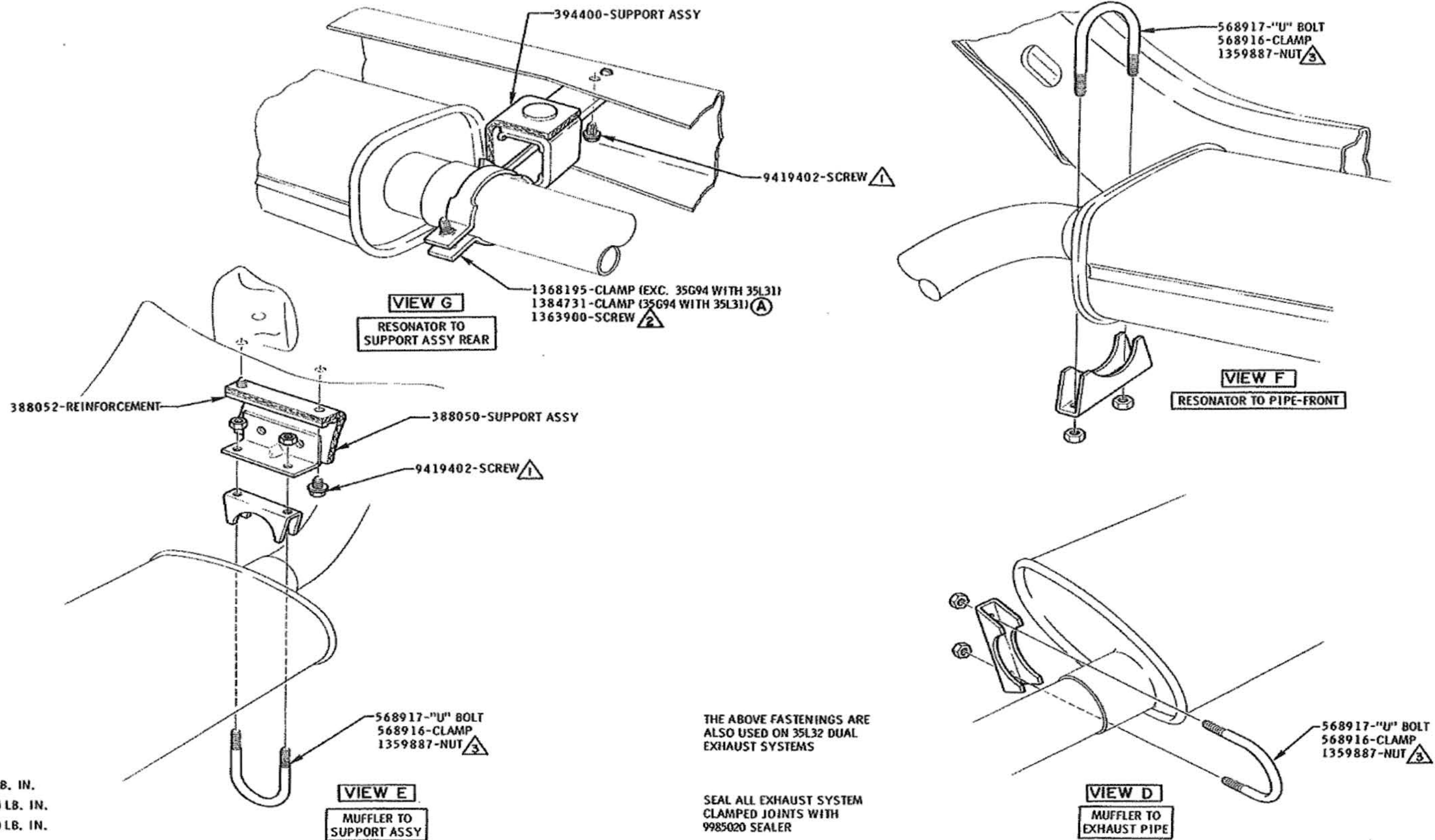


TITLE										EXHAUST SYSTEM	
DATE NOVEMBER 9, 1967						FIRST USED		MANUAL SEC.		PAGE	
DR. BY ED J. ROE						1969		8		130	
CHECKED <i>[Signature]</i>						REF. 8C		SERIES		PART NO.	
APPR. <i>[Signature]</i>								B-C		401901	
DATE	SYM	REVISION	DR.	CK.	DATE	SYM	REVISION	DR.	CK.	DATE	SYM
					2-12-69	B	WASHER REPOSITIONED	ROE	JVS		
					6-5-68	B ₂	NOTES REVISED	JVS	JVS		



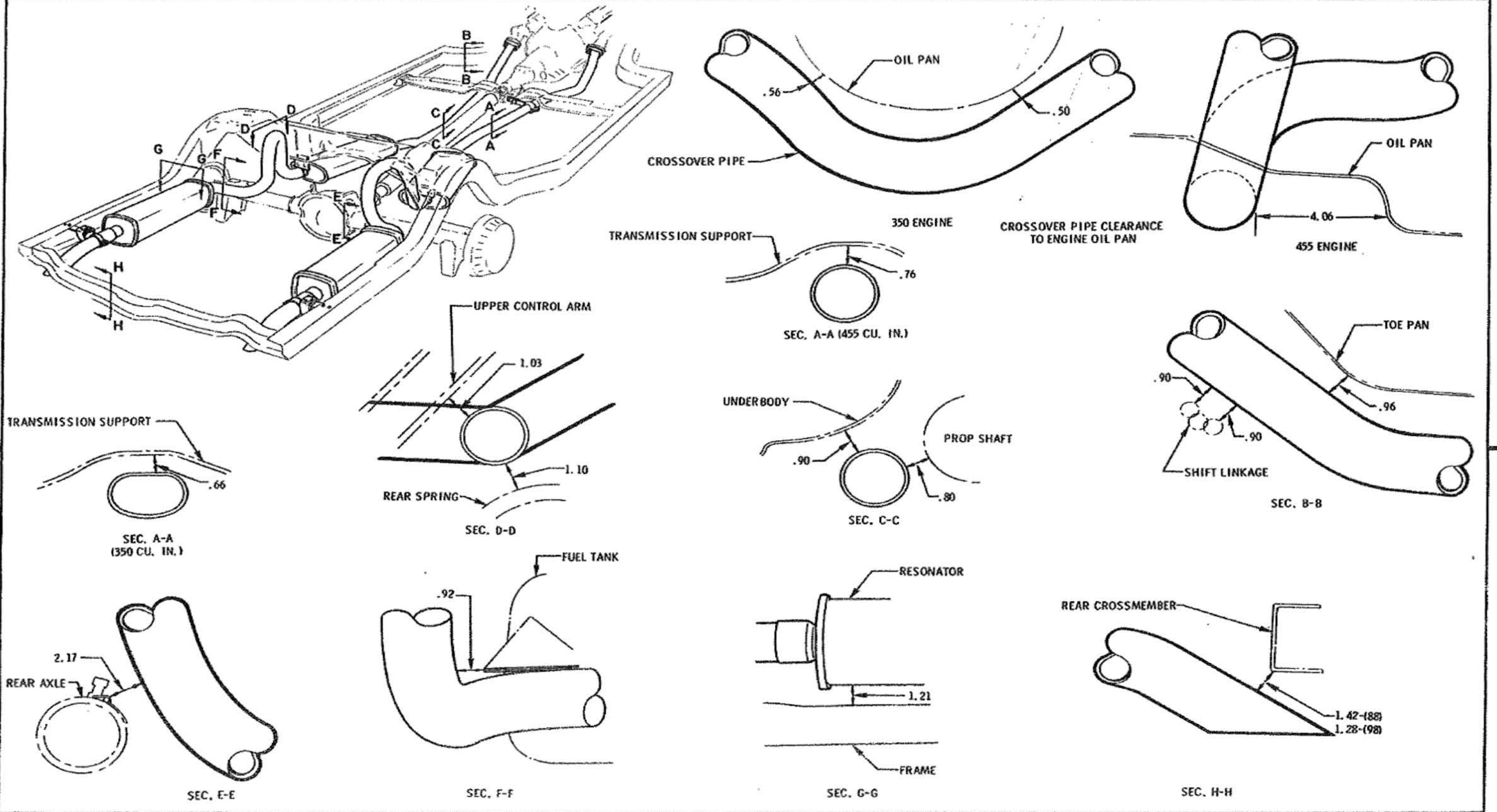
FOR EXHAUST SYSTEM PART NUMBERS EXCEPT FASTENINGS, SEE CHART PAGE 120

DATE	SYM	REVISION	DR.	CK.	DATE	SYM	REVISION	DR.	CK.	DATE	SYM	REVISION	DR.	CK.	TITLE	FIRST USED	OLDSMOBILE PRODUCT INFORMATION MANUAL	MANUAL SEC.	PAGE
															EXHAUST SYSTEM	1969	8	131	
					6-5-68	A ₃	NOTES REVISED								REF. 8C	SERIES	B-C	PART NO.	401901
															APPR. <i>[Signature]</i>				
															APPR. <i>[Signature]</i> 1/23/68				



- 1 72 - 96 LB. IN.
- 2 108 - 144 LB. IN.
- 3 132 - 180 LB. IN.

DATE	SYM	REVISION	DR. CK.	DATE	SYM	REVISION	DR. CK.	DATE	SYM	REVISION	DR. CK.	TITLE	EXHAUST SYSTEM	FIRST USED	OLDSMOBILE PRODUCT INFORMATION MANUAL	MANUAL SEC.	PAGE
												DATE NOVEMBER 10, 1967	1969		8	132	
												DR. BY ED J. ROE					
												CHECKED <i>MB</i>	REF. 8C				
												APPR. <i>P. T. ...</i>		SERIES B-C	PART NO.	401901	
												APPR. <i>SMC</i> 1/23/68					



REVISION										TITLE				FIRST USED		OLDSMOBILE PRODUCT INFORMATION MANUAL		MANUAL SEC. PAGE		
DATE	SYM	REVISION	DR.	CK.	DATE	SYM	REVISION	DR.	CK.	DATE	SYM	REVISION	DR.	CK.	APPR.	1969	REF. BC	B-C	8	133
															5/12/69					401901



SECTION 9 STEERING SYSTEM

100	STEERING CHARTS
111	STEERING COLUMN DRESS
115	STEERING WHEELS
119	LOCK CYLINDER
120	TILT AND TRAVEL COLUMN
125	STEERING GEAR AND HOSES
350	35K30 COLUMNS

DATE 6-17-68

MANUAL NO. 401901

SERIES B-C

POWER STEERING INSTALLATION AND FILL PROCEDURE

1. POWER STEERING GEAR TO BE INSTALLED ON FRAME WITH PLASTIC PLUGS IN PLACE.
NOTE: "E" ONLY - PITMAN ARM TO BE PREASSEMBLED TO GEAR (180-210 LB. FT. TORQUE) PRIOR TO INSTALLATION ON FRAME.
2. DO NOT REMOVE PLASTIC PLUGS FROM STEERING GEAR UNTIL:
 - A. AFTER PITMAN ARM IS INSTALLED ON GEAR SPLINE.
 - B. A MINIMUM OF 15 SECONDS HAVE ELAPSED AFTER COMPLETING PITMAN ARM INSTALLATION.
 - C. IMMEDIATELY BEFORE INSTALLING THE HOSE ASSEMBLIES TO THE GEAR.
3. DO NOT CRANK THE GEAR UNTIL AFTER FILL OPERATION.
4. ROUTE HOSES AFTER POWER STEERING PUMP BELT IS TIGHTENED.
5. TIGHTEN HOSE ASSEMBLY FITTINGS ON GEAR AND POWER STEERING PUMP WITH 30-40 LB. FT. TORQUE.
6. FILL POWER STEERING SYSTEM WITH A RECIRCULATING FILL SYSTEM USING POWER STEERING FLUID (9985010).
FILL SYSTEM VACUUM IS NOT TO EXCEED 25" HG AND PRESSURE IS NOT TO EXCEED 35 PSI AT POWER STEERING PUMP.
7. CHECK FLUID LEVEL AND ADD AS REQUIRED PRIOR TO TEST ROLLS. LEVEL TO BE 3.5 INCHES FROM TOP OF FILLER NECK, (EXCEPT L6 TO BE 2.5 INCHES).
8. DO NOT CRANK STEERING WHEEL UNTIL FILL OPERATION IS COMPLETED AND LEVEL CHECKED.
9. CHECK HOSES AND FITTINGS FOR LEAKS.
10. INSPECT FLUID LEVEL AFTER ROLLS WHILE OIL IS HOT. ADJUST FLUID LEVEL, AS REQUIRED, TO FLUID LEVEL MARK ON THE PUMP DIP STICK.

DATE	SYM	REVISION	DR.	CK.	DATE	SYM	REVISION	DR.	CK.	DATE	SYM	REVISION	DR.	CK.	APPR.	TITLE	FIRST USED	OLDSMOBILE PRODUCT INFORMATION MANUAL	MANUAL SEC.	PAGE
																CHART-POWER STEERING INSTALLATION & FILL PROCEDURE	1969		9	100
																DATE NOV. 17, 1967				
																DR. BY B. SCHMIDT				
																CHECKED J. HARRIS				
																APPR. <i>J. Harris</i>		SERIES	PART NO.	
																		ABCE	402717	

PART NO.	CODE	COLOR	TRANS.	TYPE	USAGE
7804304	SK	BROWN	SMT	COLUMN	F-85
7804281	SL	WHITE	SMT	FLOOR	F-85
(H) 7804281 ★	SL	WHITE	AT	FLOOR	3500 WITH CONSOLE (D55)
7807199 #	AB	GREEN	AT	FLOOR	F-85 (EXC. 3500 & D55)
7804279	SE	GREEN	AT	COLUMN	F-85
7804328	KS	YELLOW	AT	COLUMN	F-85 TILT WHEEL
7804329	KT	YELLOW	SMT	FLOOR	F-85 TILT WHEEL
(H) 7804329 ★	KT	YELLOW	AT	FLOOR	3500 WITH CONSOLE (D55) & TILT WHEEL (N33)
7807194 #	SN	GREEN	AT	FLOOR	F-85 TILT WHEEL (EXC. 3500 & D55)
7804309	SB	GREEN	AT	COLUMN	B/C WITH CORNERING LIGHTS (T87)
7804303	SD	GREEN	AT	FLOOR	B/C WITH CORNERING LIGHTS (T87)
7804351	SG	GREEN	AT	COLUMN	B/C T & T WHEEL WITH CORNERING LIGHTS (T87)
7804352	SH	GREEN	AT	FLOOR	B/C T & T WHEEL WITH CORNERING LIGHTS (T87)
7807516	SY	GREEN	AT	COLUMN	B/C TILT WHEEL
7804310	SP	GREEN	AT	COLUMN	B/C
7805576	SR	GREEN	SMT	COLUMN	B/C
7804305	SF	GREEN	AT	COLUMN	E WITH CORNERING LIGHTS (T87)
7804353	SI	GREEN	AT	COLUMN	E T & T WHEEL WITH CORNERING LIGHTS (T87)
7808086	AD	GREEN	AT	COLUMN	E TILT WHEEL WITH CORNERING LIGHTS (T87)
7804307	ST	YELLOW	AT	COLUMN	E
7804306	SZ	GREEN	AT	FLOOR	E WITH CORNERING LIGHTS (T87)
7804354	SX	GREEN	AT	FLOOR	E T & T WHEEL WITH CORNERING LIGHTS (T87)

★ 2ND TYPE
1ST TYPE FOR 3500 ONLY

DATE	SYM	REVISION	DR	CK	DATE	SYM	REVISION	DR	CK	DATE	SYM	REVISION	DR	CK	DATE	SYM	REVISION	DR	CK	TITLE	CHART - STEERING COLUMN IDENTIFICATION CODE	FIRST USED	OLDSMOBILE PRODUCT INFORMATION MANUAL	MANUAL SEC.	PAGE
					12/69	E	CODE SY ADDED	RS	JT																
					4-18-69	H ₂	LINE ADDED	XA	JT	12/69	D	7805086 ADDED	RS	JT							DATE	APRIL 25, 1968	1969		105
					4-18-69	G ₂	USAGE REVISED	XA	JT	12/68	B ₂	PART NO'S ADDED	REN	JT							DR. BY	C. GORDON			
					12/69	F	TITLE REVISED	RS	JT	12/68	A ₂	AT REMOVED	REN	JT							CHECKED	J. P. JONES			
																					APPR.				
																					APPR.				
																							A-BC-E	404018	

COLOR	STEERING WHEEL ASSY				PAD ASSY		PAD	
	9B (31, 32, 5400)	(A) 9B - "A", "B-C", "E" EXC. 3100, 3200 & 5400 35N30 - 3100, 3200 & 5400	35N34 "A", "B-C"	(A) 35N42 "A", "B-C", "E"	35N37 "B-C", "E"	9B - ALL EXC. 3100, 3200 & 5400 35N30 - 3100, 3200 & 5400 (A) 35N42 - "A", "B-C", "E"	35N37 "B-C", "E"	35N34 "A", "B-C"
BLACK	9749700	9749374	9749387	9749381	9749146	9749443	9750198	403512
DK. GREEN	9749368	9749375	9749388	9749382	9749147	9749444	9750199	403513
DK. BLUE	9749369	9749376	9749389	9749383	9749148	9749445	9750200	403514
DK. GOLD	9749370	9749377	9749390	9749384	9749149	9749446	9750201	403515
DK. RED ("A" ONLY)	--	9749378	9749391	9749394	--	9749398	--	403518
DK. TURQUOISE ("B-C" ONLY)	9749371	9749379	9750204	9749385	9749150	9749447	9750202	403516
DK. SANDALWOOD ("B-C" ONLY)	--	9749396	9750205	9749386	9749151	9749399	9750203	403517

9B - STANDARD WHEEL
35N30 - DELUXE WHEEL
35N34 - SPORT WHEEL
35N37 - TILT & TRAVEL WHEEL
35N42 - RIM BLOWER WHEEL

NOTE (B)
SEE PAINT AND TRIM CHART
FOR MODEL USAGE.

STEERING WHEEL & PAD ASSY CHART																				
DATE	SYM	REVISION	DR.	CK.	DATE	SYM	REVISION	DR.	CK.	DATE	SYM	REVISION	DR.	CK.	DATE	SYM	REVISION	DR.	CK.	
										9-26-68	B	NOTE ADDED & CHART REVISED								
										5-24-68	A ₂	CHART REVISED								
TITLE										STEERING WHEEL & PAD ASSY CHART		FIRST USED		OLDSMOBILE PRODUCT		MANUAL SEC.		PAGE		
DATE										MAY 2, 1968		1969		INFORMATION MANUAL		9		106		
DR. BY										H.E. MASON		CHECKED		APPR. D. Dunham		SERIES		PART NO.		
DATE														A-B-C-E		401900-1-2				
APPR.										JMS 5/2/68										

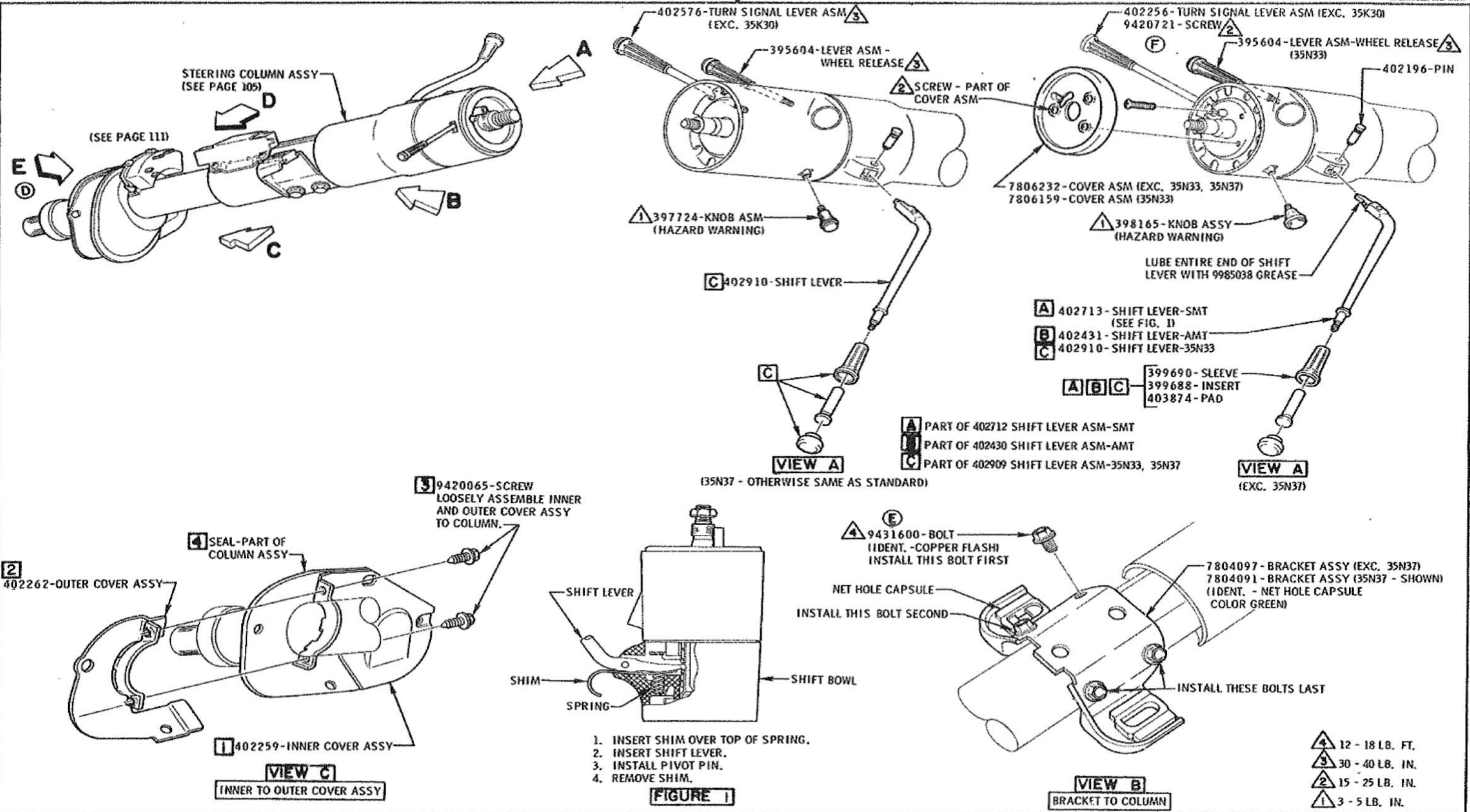
MANDATORY INSTRUCTIONS

1. LOOSE ASSEMBLE INNER **1** AND OUTER **2** DASH COVERS ON COLUMN WITH TWO SCREWS. **3** . OPTIONAL TO TIGHTEN TOP SCREW. DASH COVERS MUST BE FREE TO SLIDE ON COLUMN. AVOID PINCHING SEAL BETWEEN COVERS AND JACKET.
2. GLUE COVER SEAL **4** TO OUTER COVER **2** .
3. SET BODY ON FRAME WITH SPECIFIED GAGE PIN AT #1 GAGE HOLE LOCATION (L. H. SIDE.). TIGHTEN TWO BODY BOLTS AHEAD OF THE KICKUP PRIOR TO REMOVAL OF GAGE PIN. (USE OLDS GAGE PIN 77481JF OR EQUIVALENT.) THIS STEP MUST BE PERFORMED BEFORE STEP 3 IN THE MANDATORY INSTALLATION SEQUENCE.

MANDATORY INSTALLATION SEQUENCE

1. COLUMN WILL BE INSTALLED INTO THE BODY AFTER BODY DROP OR THE COLUMN MAY BE CARRIED IN THE BODY PRIOR TO BODY DROP, SUPPORTED PROPERLY, BUT NOT ATTACHED TO DASH PANEL OR THE INSTRUMENT PANEL WITH THE CAPSULE NUTS.
2. INSTALL IGNITION SWITCH CONNECTORS **5** TO IGNITION SWITCH.
3. POSITION THE COLUMN IN THE BODY AND POSITION THE FLANGE TO THE RAG JOINT OVER THE PLASTIC SPACERS AND DOWN AGAINST FLANGE ON SPACERS. INSTALL LOCK WASHERS AND NUTS. TIGHTEN TO SPECIFIED TORQUE (PAGE 125).
4. TIGHTEN TWO NUTS **6** AT THE INSTRUMENT PANEL TO SPECIFIED TORQUE.
5. POSITION INNER TOE PAN COVER TO DASH AND AGAINST THE JACKET AND INSTALL TWO SCREWS **7** TO SPECIFIED TORQUE.
6. TIGHTEN TWO CLAMP SCREWS **3** TO SPECIFIED TORQUE.
7. LOOSEN BUT DO NOT REMOVE INNER COVER-TO-DASH SCREWS **7** .
8. RETIGHTEN INNER COVER-TO-DASH SCREWS **7** TO SPECIFIED TORQUE.
9. INSTALL OUTER COVER-TO-DASH SCREWS **8** TO SPECIFIED TORQUE.
10. REMOVE PLASTIC SPACERS FROM RIVETS OF FLEXIBLE COUPLING.
11. MAXIMUM MISALIGNMENT OF THE STEERING SHAFT TO THE STEERING GEAR SHALL NOT EXCEED .180". ALSO THE RIVETS IN THE FLEXIBLE COUPLING SHALL NOT BE GROUNDED OUT ON THE STEERING SHAFT FLANGE WHEN SHAFT IS ROTATED 360°.

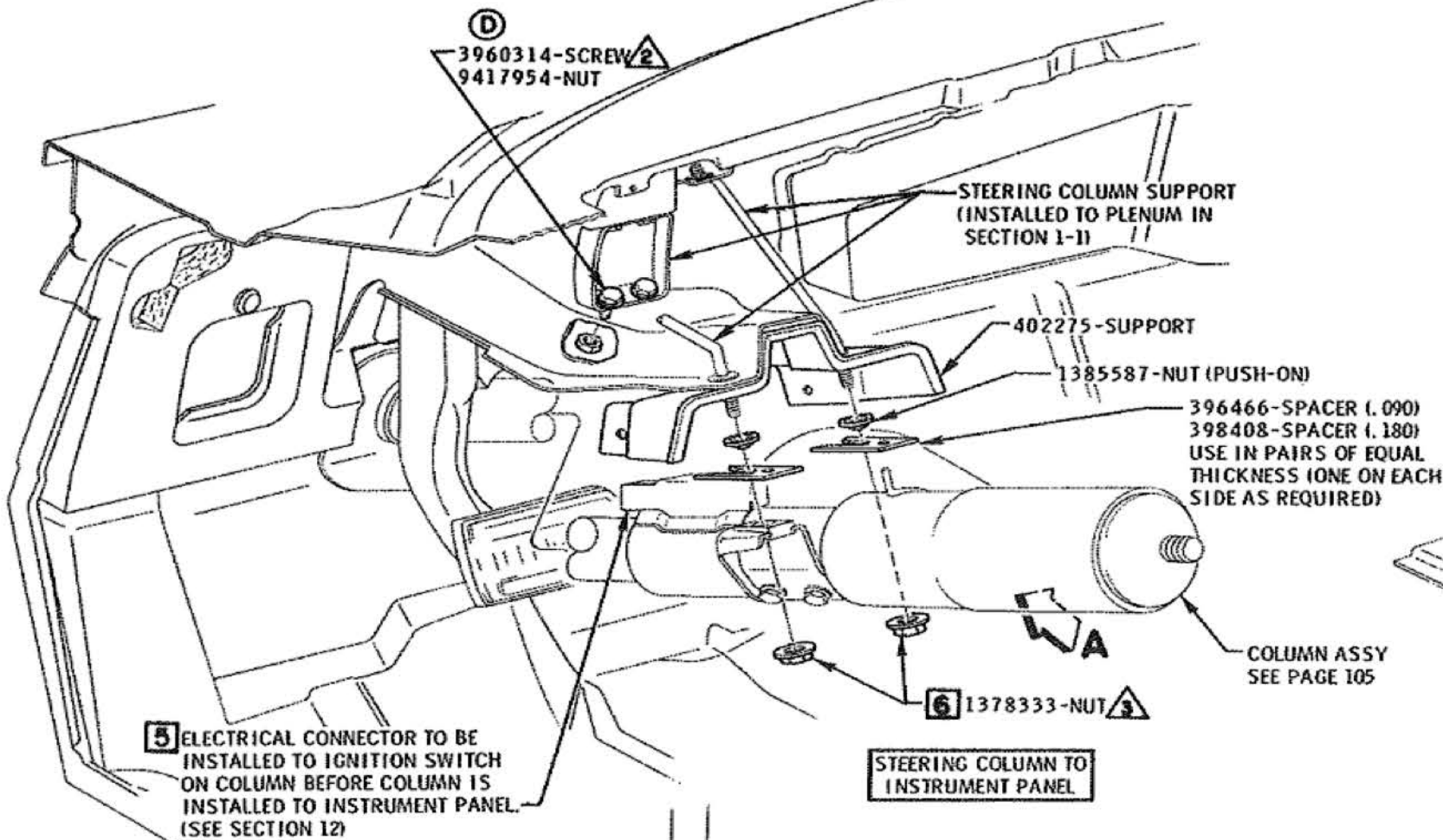
DATE	SYM	REVISION	DR. CK.	DATE	SYM	REVISION	DR. CK.	DATE	SYM	REVISION	DR. CK.	TITLE	FIRST USED	OLDSMOBILE PRODUCT INFORMATION MANUAL	MANUAL SEC.	PAGE
												STEERING COLUMN INSTALLATION REQUIREMENTS	1969		9	109
				6-11-68	E	WAS PAGE 110						CHECKED <i>Titus</i>				
				6-11-68	A	INSTRUCTIONS REVISED						APPR. <i>J. Dutton</i>		SERIES B-C	PART NO.	401901
												APPR. <i>J. Dutton</i>				



1. INSERT SHIM OVER TOP OF SPRING.
2. INSERT SHIFT LEVER.
3. INSTALL PIVOT PIN.
4. REMOVE SHIM.

FIGURE 1

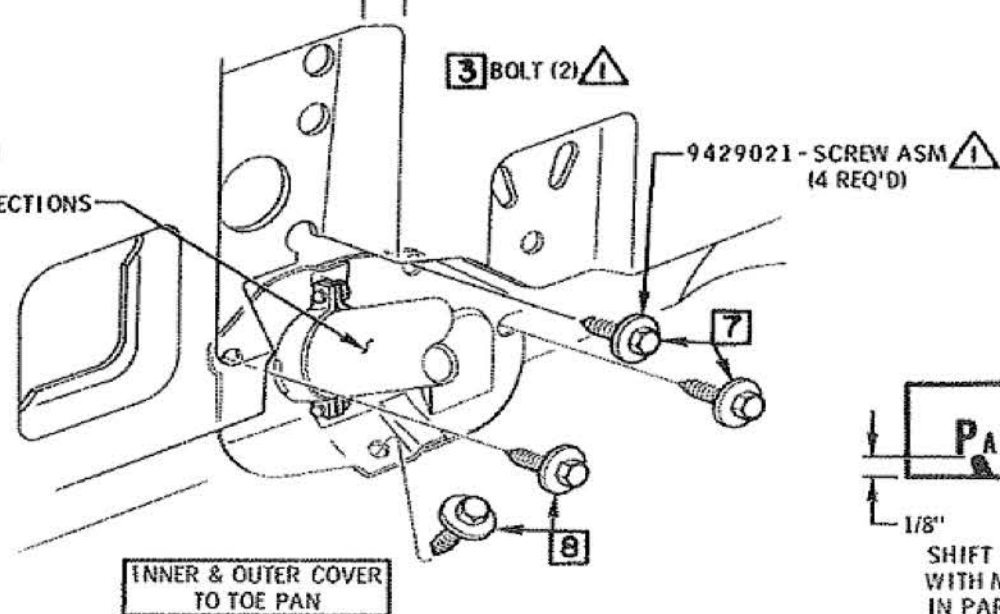
DATE	SYM	REVISION	DR.	CK.	DATE	SYM	REVISION	DR.	CK.	DATE	SYM	REVISION	DR.	CK.	DATE	SYM	REVISION	DR.	CK.	APPR.	TITLE	FIRST USED	OLDSMOBILE PRODUCT INFORMATION MANUAL	MANUAL SEC.	PAGE
					11-25-68	E	WAS 9428367 BOLT	WEM	DT												STEERING COLUMN DRESS	1969		9	110
					11-14-68	D	ARROW "E" ADDED	WEM	DT												DR. BY W.E. MASON				
					8-29-68	C	35N33 INFO. ADDED	WEM	DT												CHECKED				
					6-11-68	B	WAS PAGE 111	WEM	DT												APPR.				
					1-17-69	F	WAS 9428531-SCREW	WEM	DT												APPR.				
					6-11-68	A	REVISED & REDRAWN	WEM	DT												APPR.				
																						REF. 7A, 9C, 12C, 35N40, 35N37	SERIES B-C	PART NO. 401901	



5 ELECTRICAL CONNECTOR TO BE INSTALLED TO IGNITION SWITCH ON COLUMN BEFORE COLUMN IS INSTALLED TO INSTRUMENT PANEL. (SEE SECTION 12)

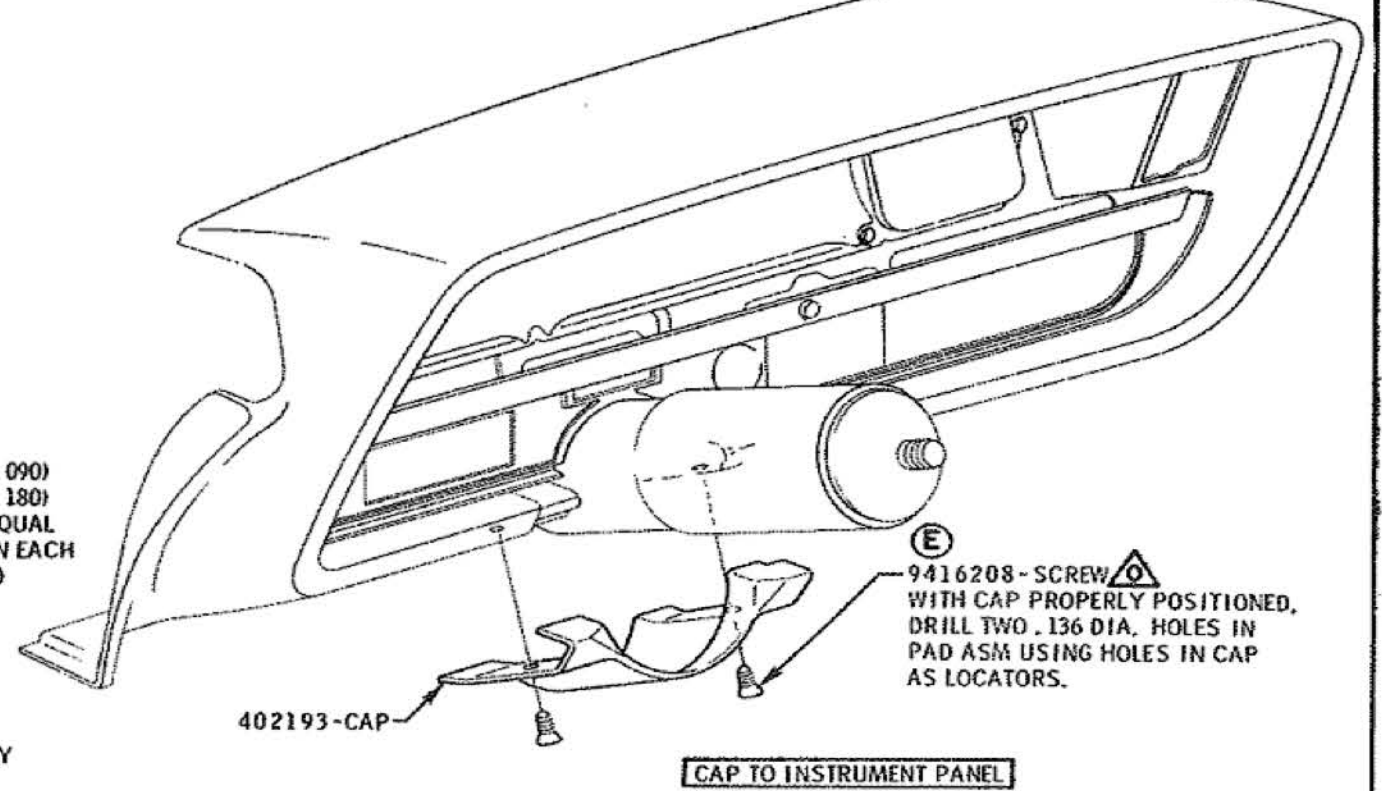
STEERING COLUMN TO INSTRUMENT PANEL

9985005-LUBE-STEERING COLUMN BETWEEN UPPER & LOWER STOP PROJECTIONS

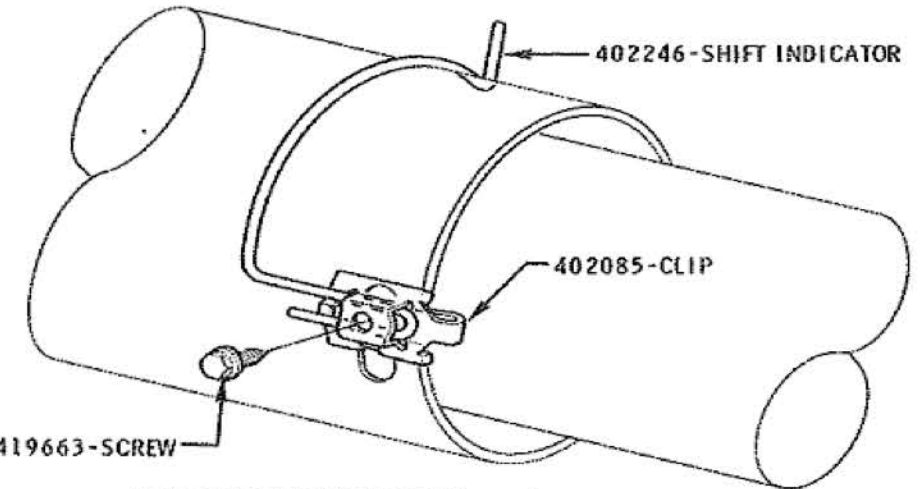


INNER & OUTER COVER TO TOE PAN

- 3 15 - 25 LB. FT.
2 15 - 22 LB. FT.
1 30 - 45 LB. IN.
0 MUST BE FULLY DRIVEN, SEATED, AND NOT STRIPPED.



CAP TO INSTRUMENT PANEL



AFTER SHIFT LINKAGE HAS BEEN INSTALLED AND PROPERLY ADJUSTED, SLIDE INDICATOR UP OR DOWN COLUMN IN CLIP TO PROVIDE CLEARANCE TO INSTRUMENT PANEL. HOLD UPPER SHIFT LEVER AGAINST DRIVE POSITION STOP IN STEERING COLUMN. ROTATE CLIP IN SLOT ON SHIFT BOWL TO ALIGN SHIFT INDICATOR NEEDLE WITH DRIVE POSITION ON INSTRUMENT CLUSTER ASM AND TIGHTEN SCREW.

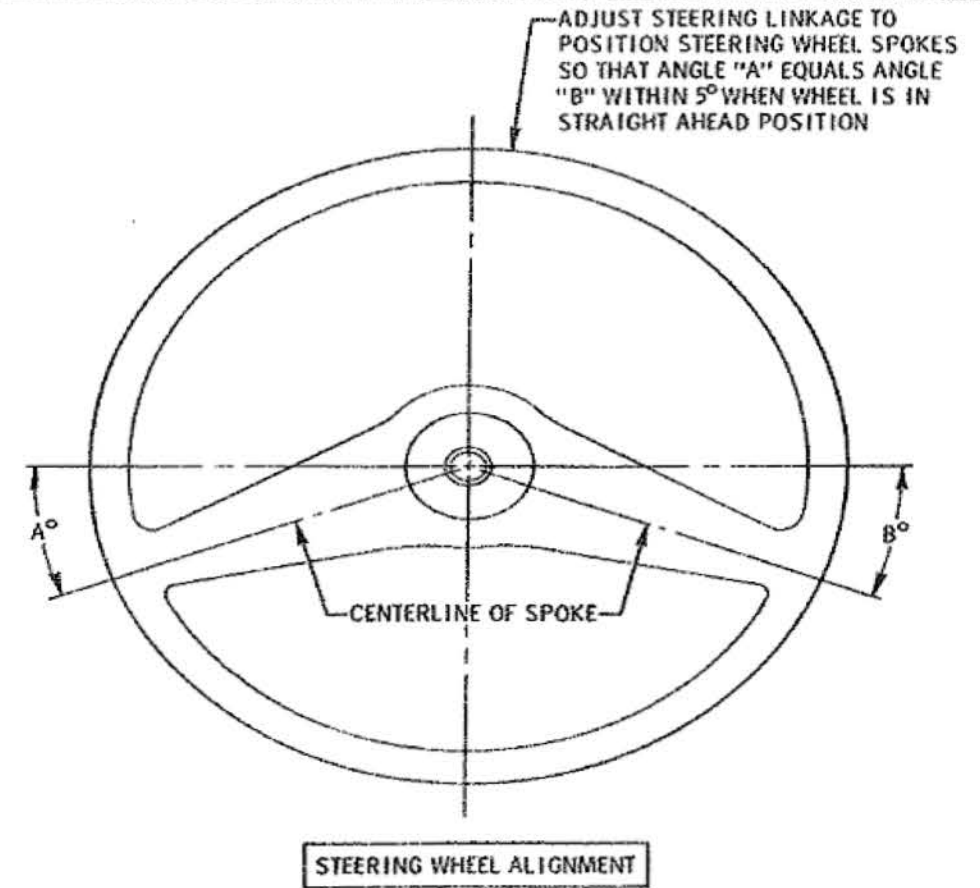
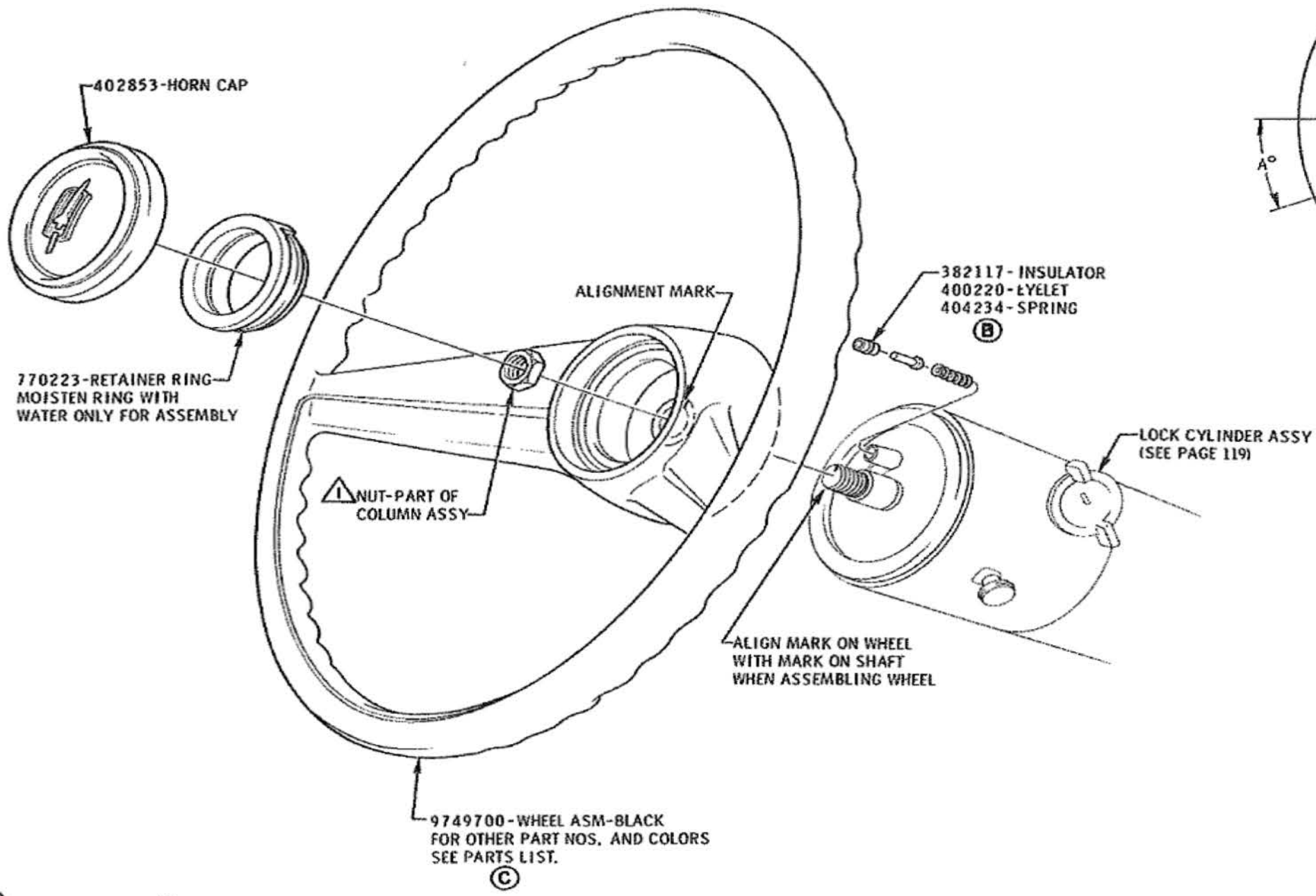
VIEW A

(AUTO. TRANS. ONLY; EXC. 35D55)



SHIFT INDICATOR NEEDLE MUST BE VISIBLE WITH MINIMUM OF 1/8" OF NEEDLE SHOWING IN PARK OR LOW POSITION.

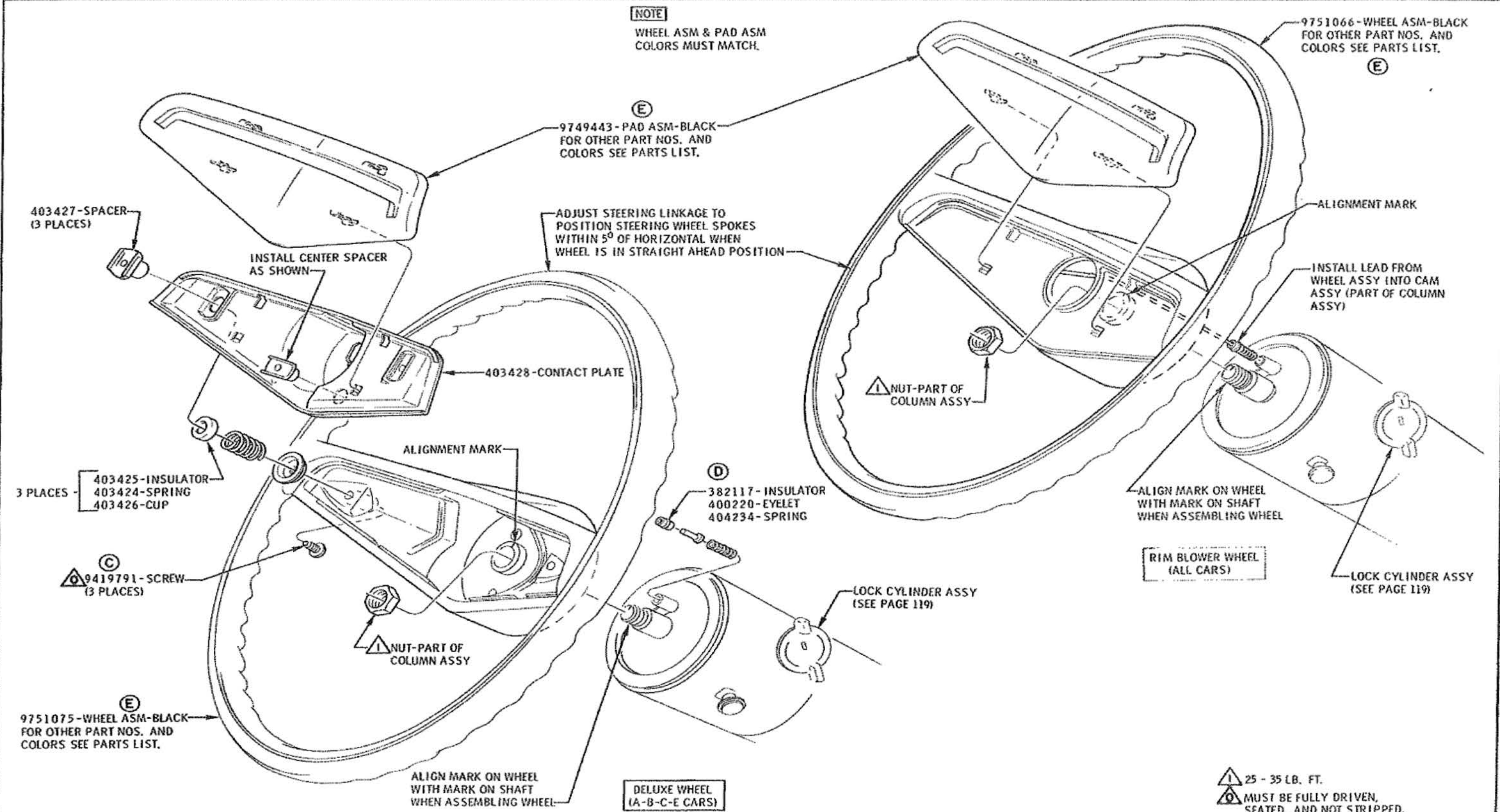
Table with columns for DATE, SYM, REVISION, DR., CK., DATE, SYM, REVISION, DR., CK., DATE, SYM, REVISION, DR., CK., and TITLE. Includes a change log and a summary block with fields for FIRST USED (1969), PRODUCT INFORMATION MANUAL (9 112), SERIES (B-C), and PART NO. (401901).



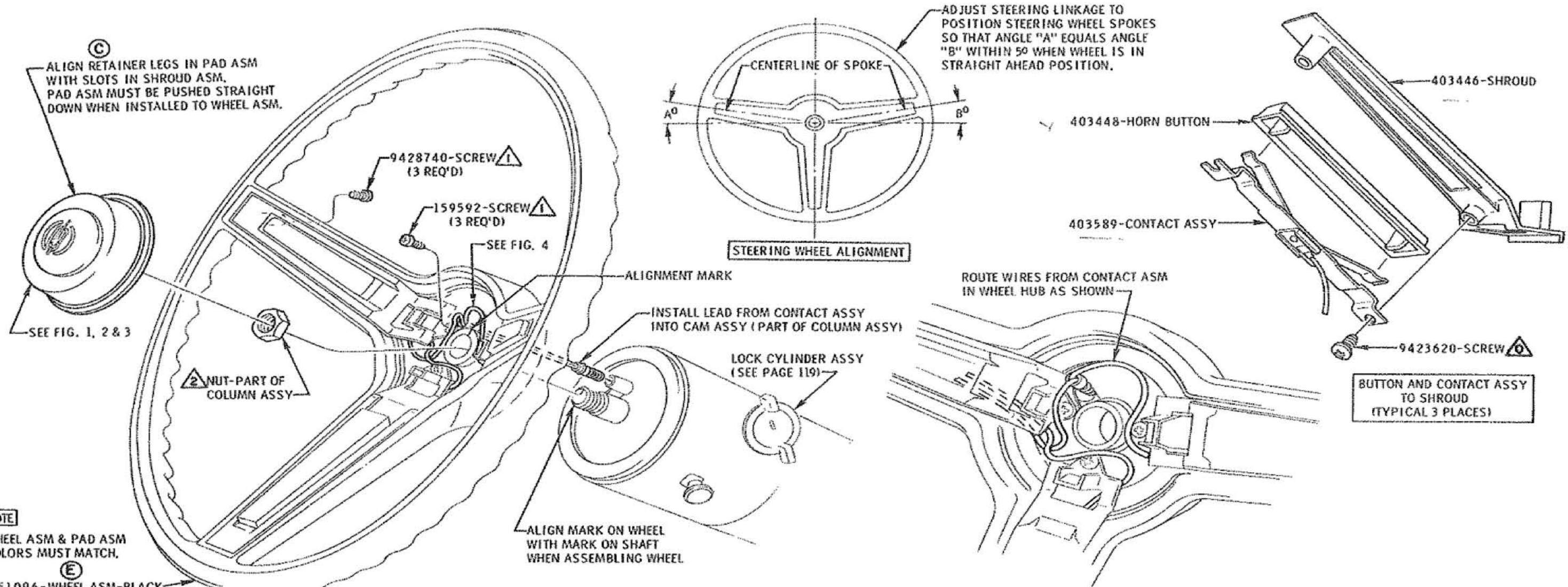
⚠ 25 - 35 LB. FT. ⓐ

(3100 - 3200 - 5400)

DATE	SYM	REVISION	DR.	CK.	DATE	SYM	REVISION	DR.	CK.	DATE	SYM	REVISION	DR.	CK.	DATE	SYM	REVISION	DR.	CK.	TITLE	FIRST USED	OLDSMOBILE PRODUCT INFORMATION MANUAL	MANUAL SEC.	PAGE	SERIES	PART NO.
																				STANDARD STEERING WHEEL	1969		9	115	A-B	401900-1
					11-19-68	C	NOTE REVISED													DATE						
					7-10-68	B	WAS 382116 SPRING													DR. BY						
					6-11-68	A	TORQUE REVISED													CHECKED						
																				APPR.						
																				APPR.						



DATE	SYM	REVISION	DR.	CK.	DATE	SYM	REVISION	DR.	CK.	DATE	SYM	REVISION	DR.	CK.	DATE	SYM	REVISION	DR.	CK.	TITLE	FIRST USED	OLDSMOBILE PRODUCT INFORMATION MANUAL	MANUAL SEC.	PAGE
					11-19-68	E3	NOTE REVISED													DELUXE AND RIM BLOWER STEERING WHEELS	1969		9	116
					7-10-68	D	PART NUMBERS ADDED													DATE APR. 22, 1968				
					7-5-68	C	WAS 9419663													DR. BY W. E. MASON				
					6-11-68	B	TORQUE REVISED													CHECKED				
					5-13-68	A2	NOTE REVISED													APPR. 5/16/68	REF. 35N.30 35N42.126	SERIES A-B-C-E	PART NO. 401900-1-2	



NOTE
WHEEL ASM & PAD ASM
COLORS MUST MATCH.

E
9751096-WHEEL ASM-BLACK
FOR OTHER PART NOS. AND
COLORS SEE PARTS LIST.

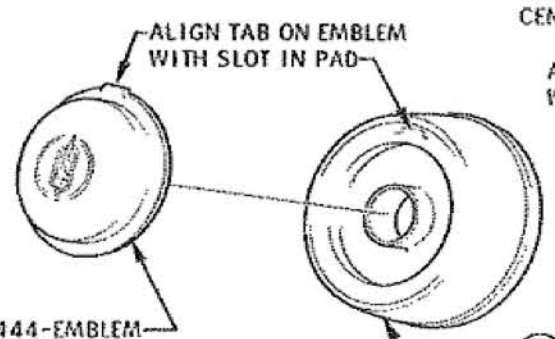


FIGURE 1
EMBLEM TO PAD

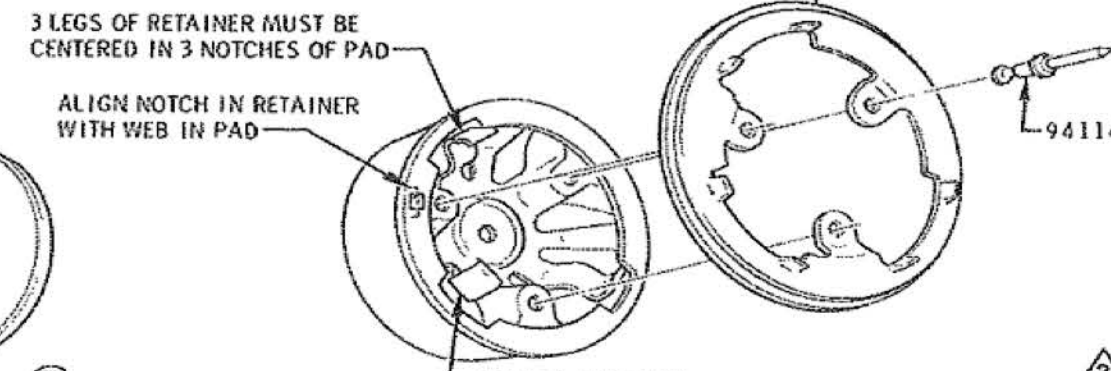


FIGURE 2
RETAINER AND PAD TO BEZEL

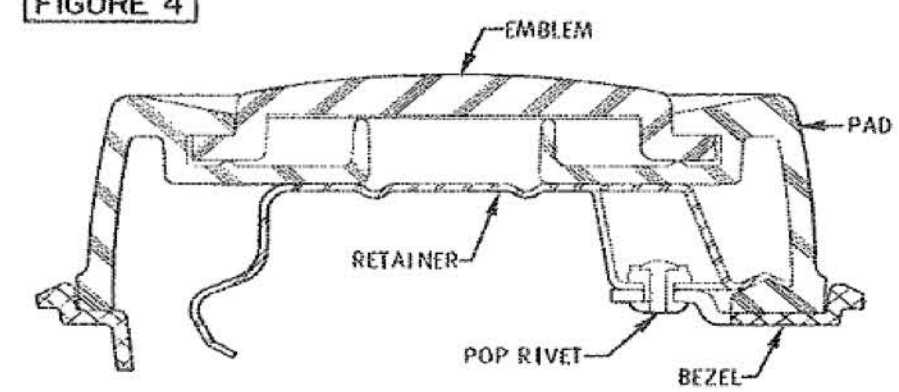


FIGURE 3
ASSEMBLED SECTION
OF PAD ASSEMBLY

- 2** 25 - 35 LB. FT.
- 1** 20 - 30 LB. IN.
- 0** MUST BE FULLY DRIVEN,
SEATED AND NOT STRIPPED.

DATE	SYM	REVISION	DR.	CK.	DATE	SYM	REVISION	DR.	CK.	DATE	SYM	REVISION	DR.	CK.	TITLE	FIRST USED	OLDSMOBILE PRODUCT INFORMATION MANUAL	MANUAL SEC.	PAGE
					11-19-68	C	NOTE REVISED								SPORT WHEEL	1969		9	118
					9-5-68	D	VIEW REVISED								DATE MAY 2 1968				
					8-14-68	C	NOTE ADDED								DR. BY W.E.M. - I.J.R.				
					8-14-68	B	VIEW ADDED								CHECKED <i>[Signature]</i>	REF 35N34	SERIES		
					6-11-68	A	TORQUE REVISED								APPR. <i>[Signature]</i>		A-B-C	PART NO.	401900-1

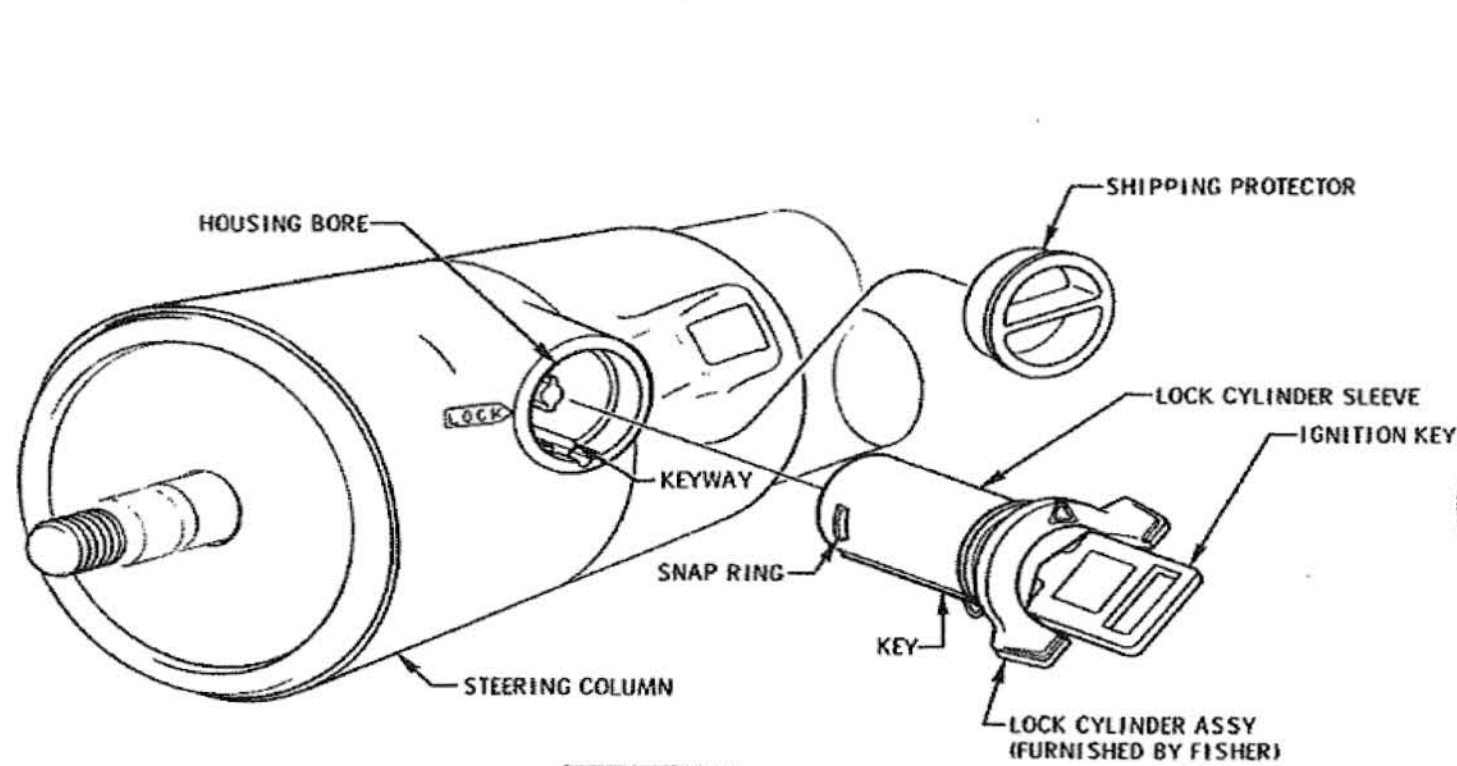


FIGURE 1

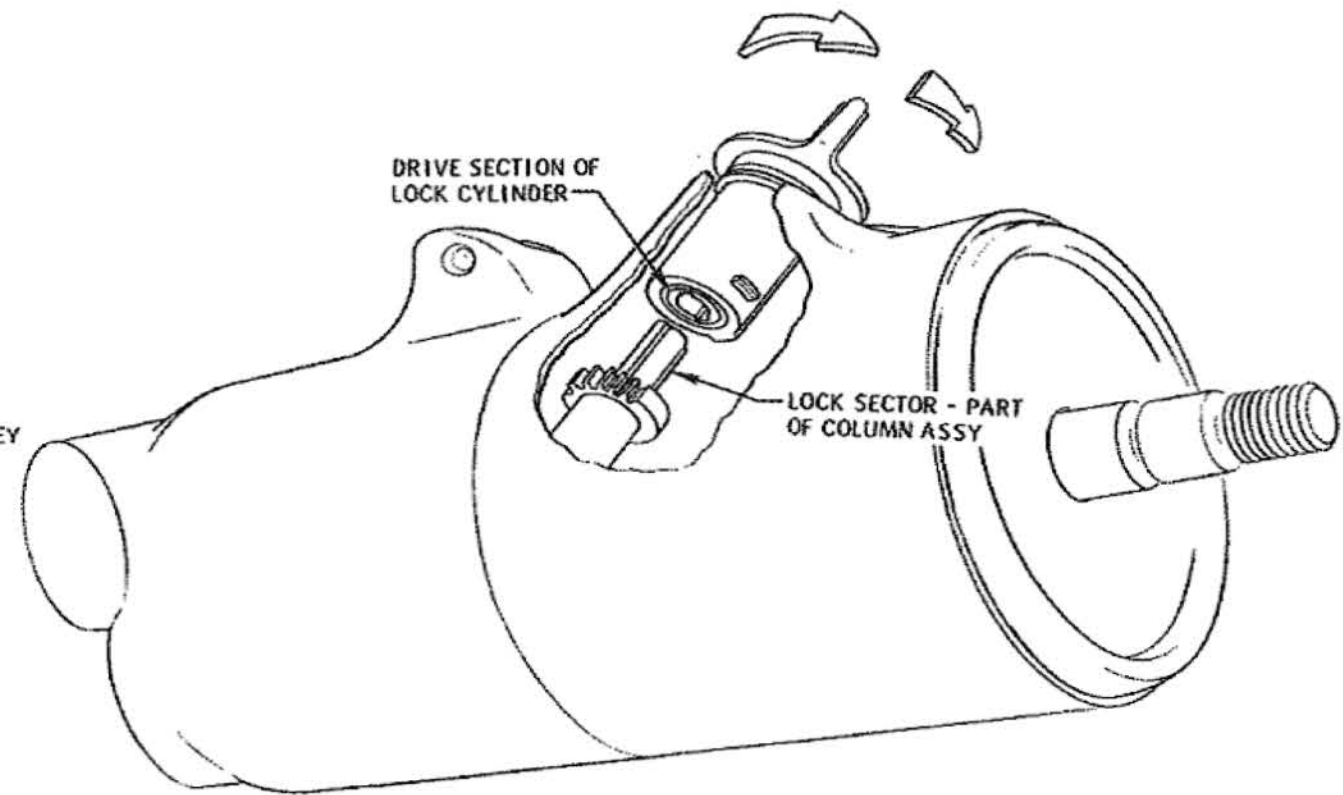


FIGURE 2

**- MANDATORY PROCEDURE -
MUST BE HAND INSTALLED & CHECKED**

(A)

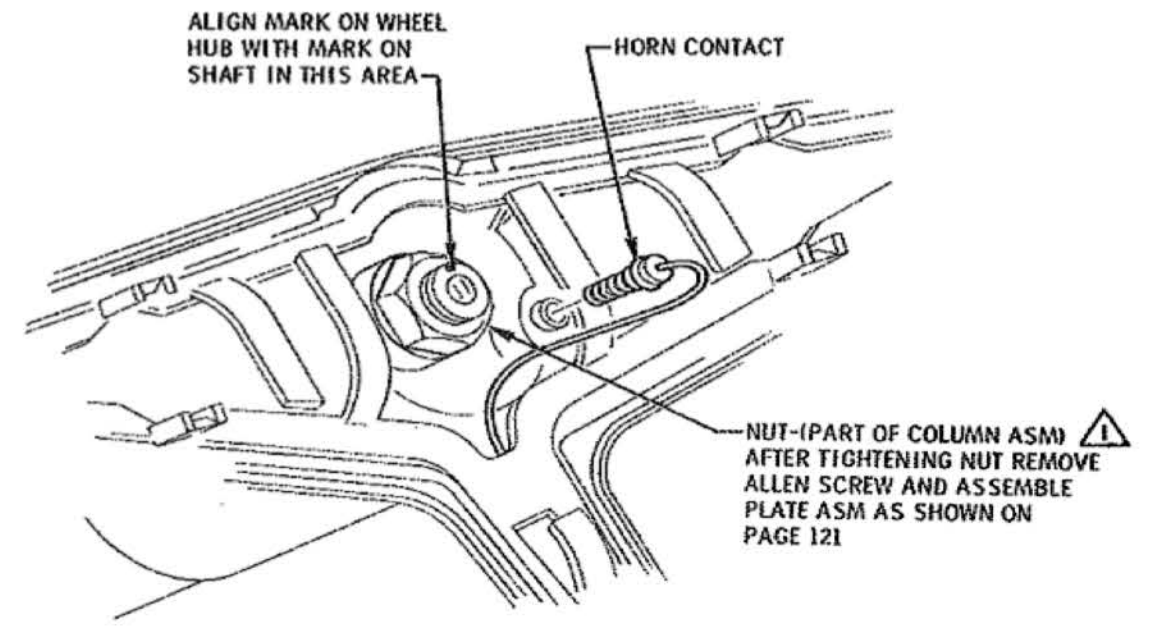
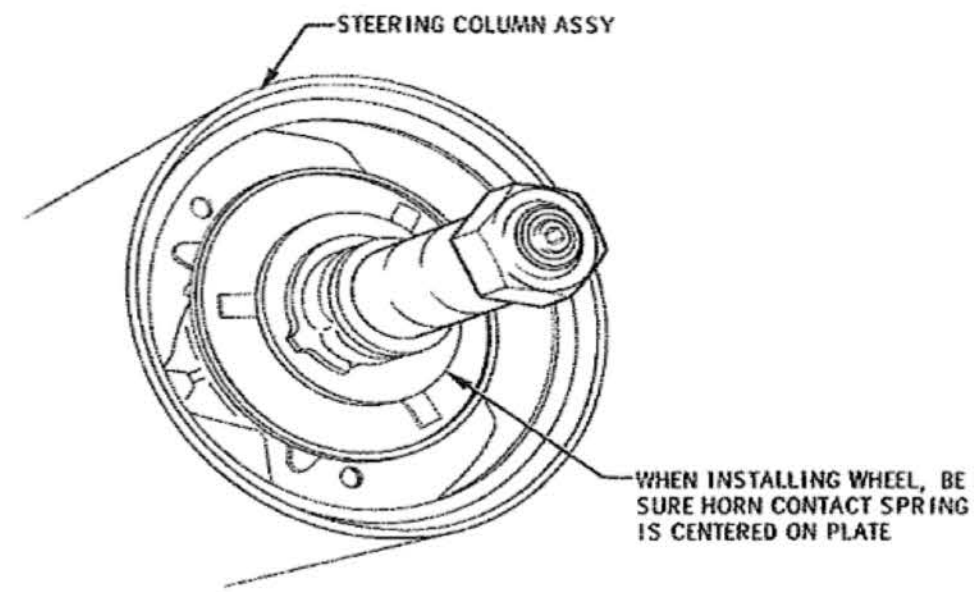
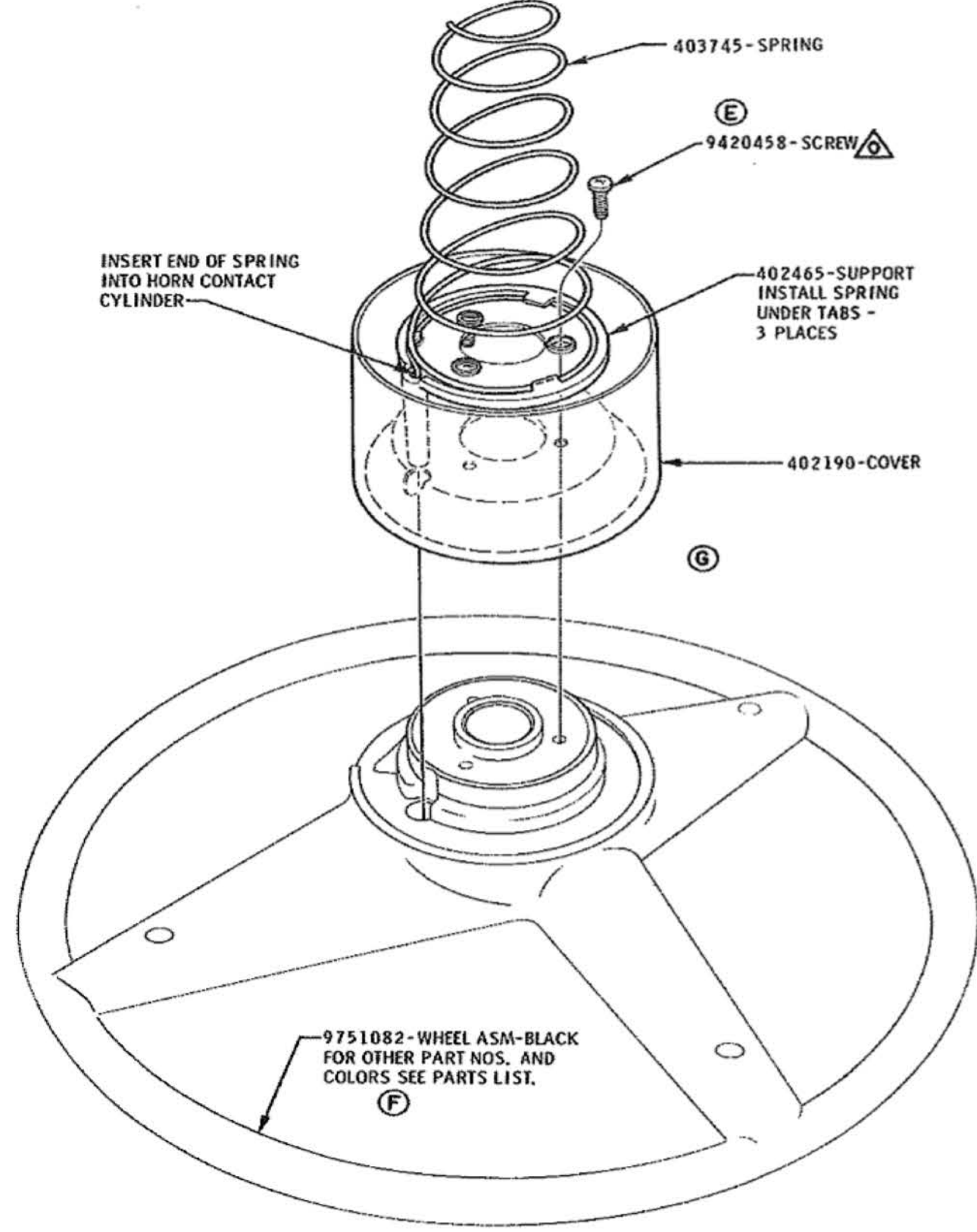
RECOMMENDED PROCEDURE

- 1 REMOVE SHIPPING PROTECTOR.
- 2 WITH IGNITION KEY IN LOCK CYLINDER ASSEMBLY, HOLD LOCK CYLINDER SLEEVE AND ROTATE KNOB CLOCKWISE AGAINST STOP WHEN VIEWED FROM KEY END. (KNOB MUST ROTATE APPROXIMATELY 104°) (FIG. 1)
- 3 INSERT CYLINDER INTO HOUSING BORE WITH KEY ON LOCK CYLINDER SLEEVE ALIGNED TO KEYWAY IN HOUSING. (FIG. 1) PUSH CYLINDER INWARD UNTIL END OF LOCK CYLINDER TOUCHES END OF LOCK SECTOR. (FIG. 2)
- 4 SLOWLY ROTATE LOCK KNOB COUNTERCLOCKWISE, MAINTAINING A LIGHT PUSH INWARD ON LOCK CYLINDER UNTIL DRIVE SECTION OF LOCK CYLINDER MATES WITH SECTOR. (FIG. 2)
- 5 PUSH LOCK CYLINDER INWARD UNTIL SNAP RING POPS INTO GROOVE IN HOUSING BORE. CHECK RETENTION OF LOCK CYLINDER IN HOUSING BORE BY PULLING OUTWARD ON LOCK CYLINDER. IF LOCK CYLINDER PULLS OUT, GO BACK TO STEP 2 AND START PROCEDURE OVER.
- 6 CHECK FREEDOM OF ROTATION OF LOCK CYLINDER IN HOUSING. THERE MUST BE A FREE SPRING RETURN FROM "START" TO "RUN" POSITIONS.

NOTE

THE STEERING COLUMN WILL BE SHIPPED TO ASSEMBLY PLANT WITH THE IGNITION SWITCH POSITIONED IN "RUN".

										TITLE				
										LOCK CYLINDER INSTALLATION PROCEDURE				
										DATE	FIRST USED	OLDSMOBILE PRODUCT	MANUAL SEC.	PAGE
										MAY 19 1968	1969	INFORMATION MANUAL	9	119
										DR. BY H.E. MASON				
										CHECKED	REF. 1A1	SERIES	PART NO.	
										6-11-68	A	NOTE REVISED		
DATE	SYM	REVISION	DR. CK.	DATE	SYM	REVISION	DR. CK.	DATE	SYM	DR. CK.	APPR.	APPR.		
											H.M.J.	5/10/68	A-B-C-E	401900-1-2



WHEEL ASSY TO COLUMN

(I) 25 - 35 LB. FT.
(O) MUST BE FULLY DRIVEN, SEATED AND NOT STRIPPED

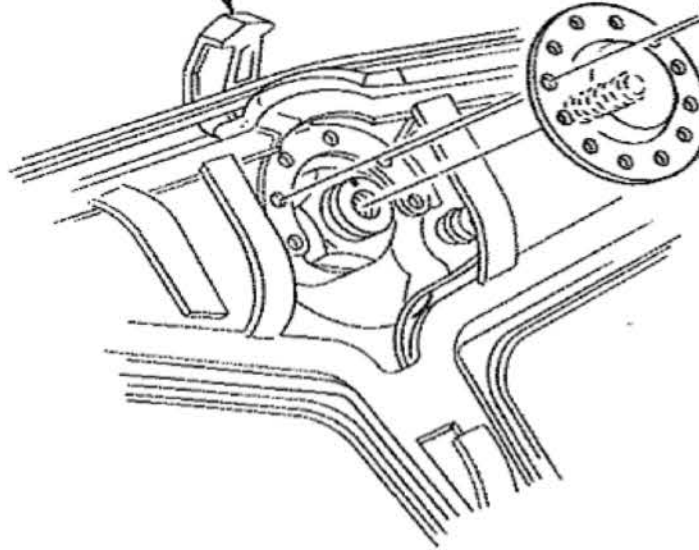
DATE	SYM	REVISION	DR.	CK.	DATE	SYM	REVISION	DR.	CK.	DATE	SYM	REVISION	DR.	CK.	APPR.	TITLE	FIRST USED	OLDSMOBILE PRODUCT INFORMATION MANUAL	MANUAL SEC. PAGE	
					10-29-68	E	WAS 159587 - SCREW	EJR	DT							TILT AND TRAVEL STEERING WHEEL				
					10-29-68	D	LUBE NOTE ADDED	EJR	DT	DATE APRIL 27, 1968						DR. BY ED J. ROE	FIRST USED 1969	9	120	
					9-9-68	C	WAS 159592 SCREW	EM	DT							CHECKED [Signature]	REF. 35N37	SERIES B-C-E	PART NO. 401901-2	
					1-17-69	G	NOTE REMOVED	EM	DT	6-11-68	B	LEVER REMOVED	EM	JUG						
					11-19-68	F	NOTE REVISED	EM	DT	6-11-68	A	TORQUE REVISED	EM	JUG						

NOTE

WHEEL ASM & PAD ASM
COLORS MUST MATCH.

A
402463-LEVER ASSY

⚠ 9416736-SCREW (2)

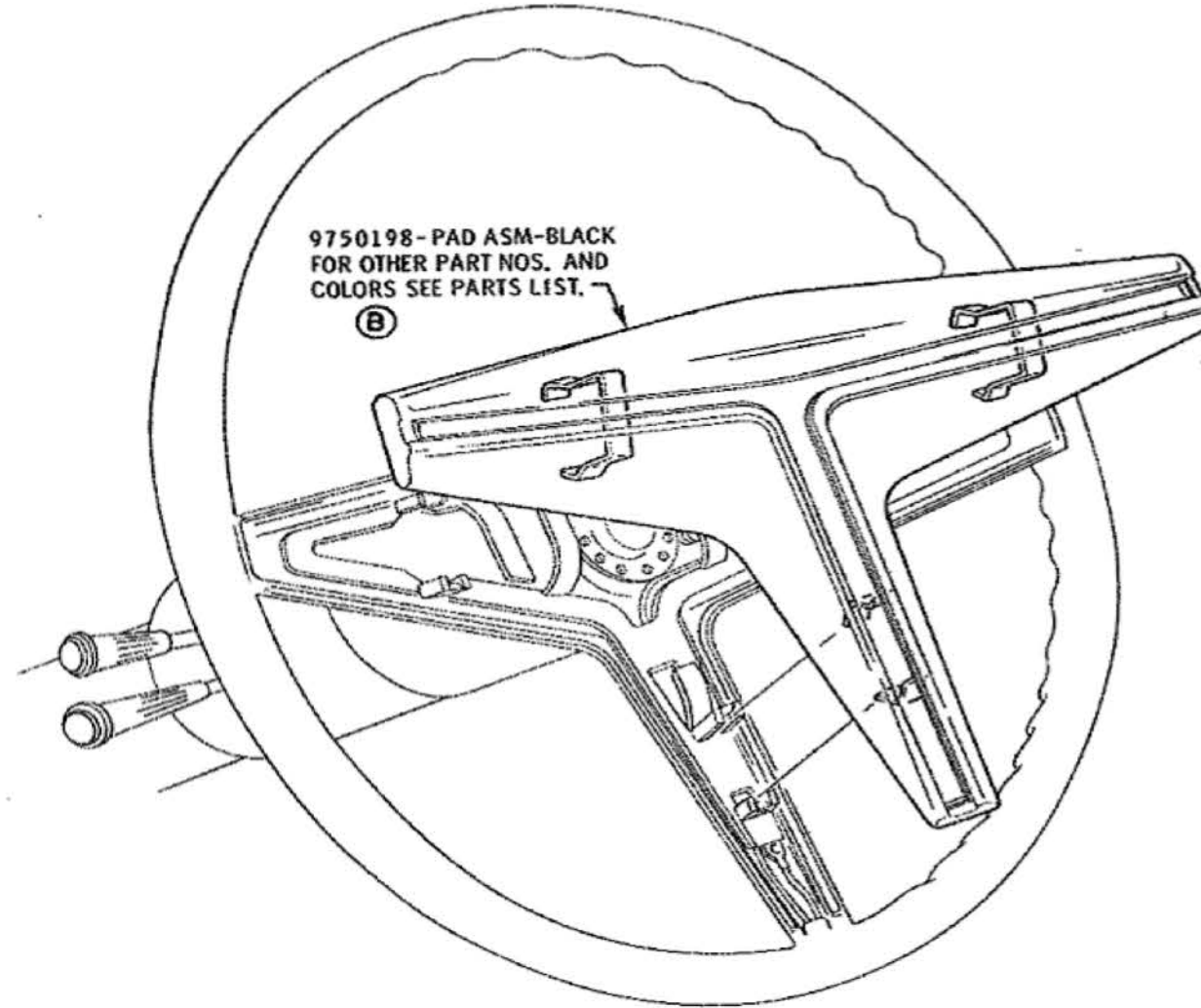


⚠ 402117-PLATE ASSY
AFTER TIGHTENING PLATE ASSY, PUT
LOCKING LEVER IN ONE O'CLOCK
POSITION. ALIGN HOLES IN PLATE
WITH HOLES IN LEVER.

PLATE AND TELESCOPING LEVER INSTALLATION

9750198-PAD ASM-BLACK
FOR OTHER PART NOS. AND
COLORS SEE PARTS LIST.

B

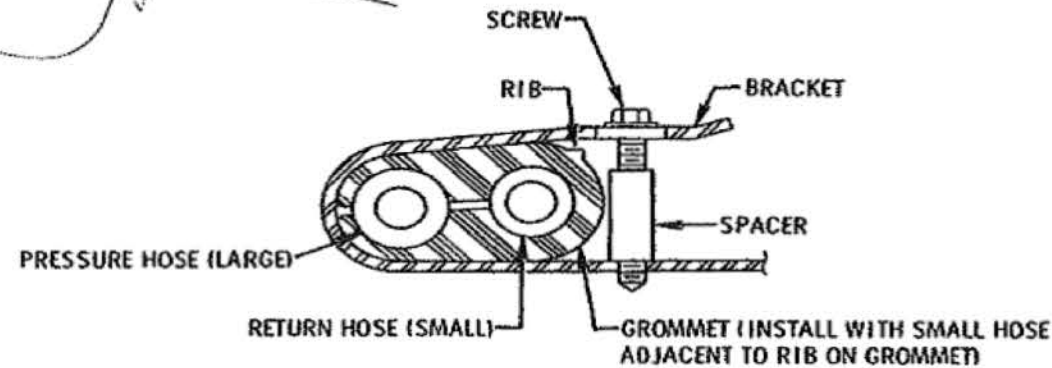
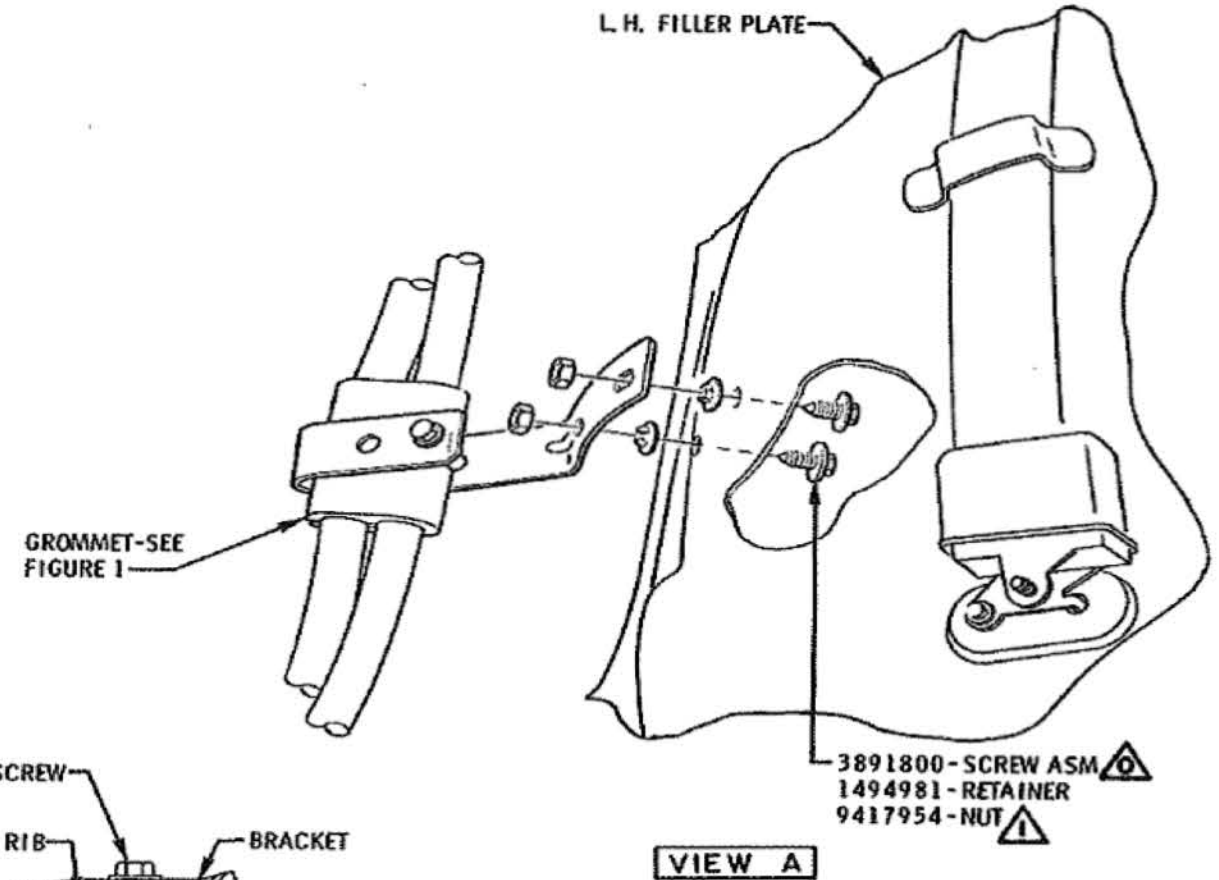
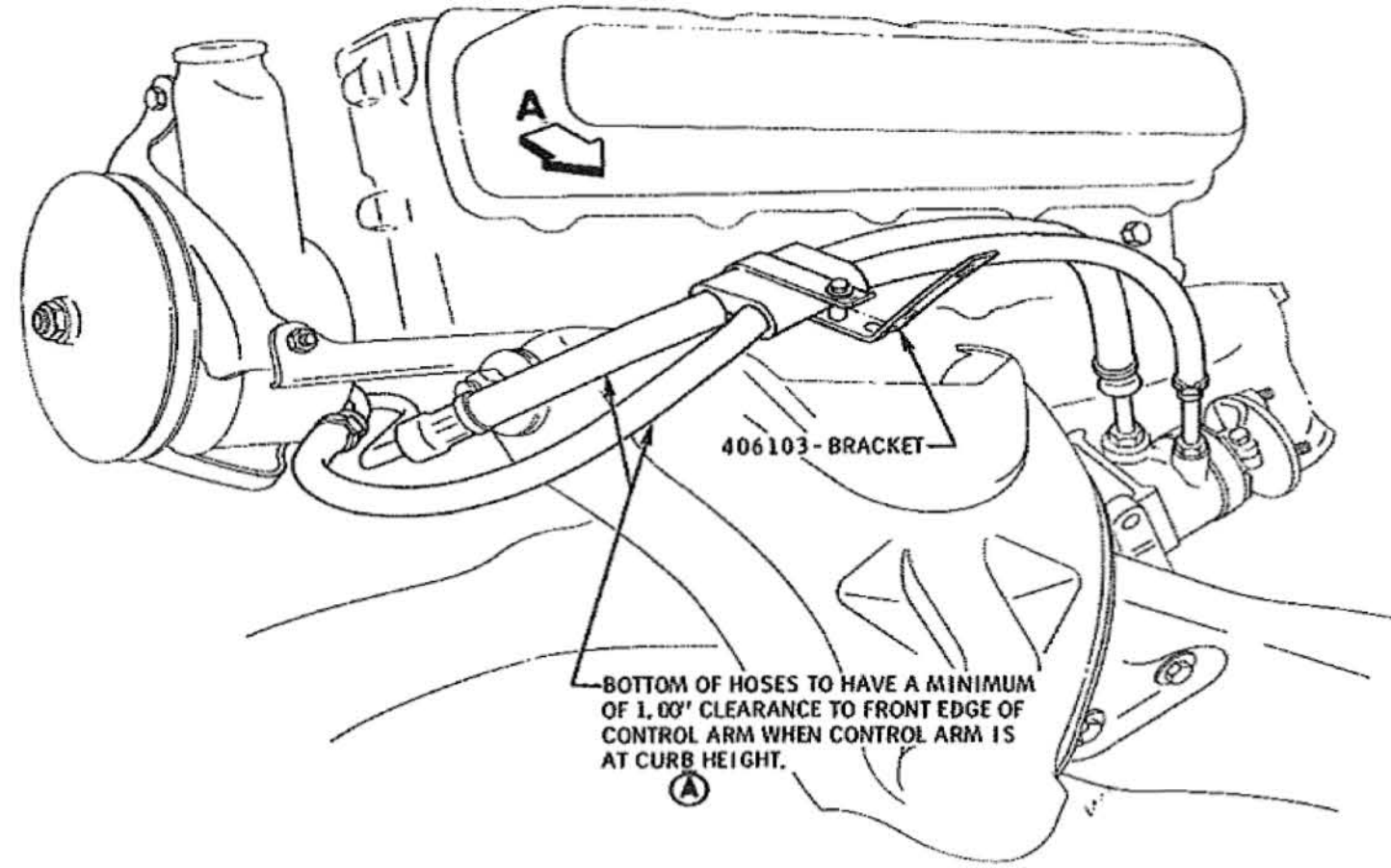


PAD ASSY TO WHEEL ASSY

⚠ 20 - 30 LB. IN.

⚠ MUST BE FULLY DRIVEN, SEATED AND NOT STRIPPED.

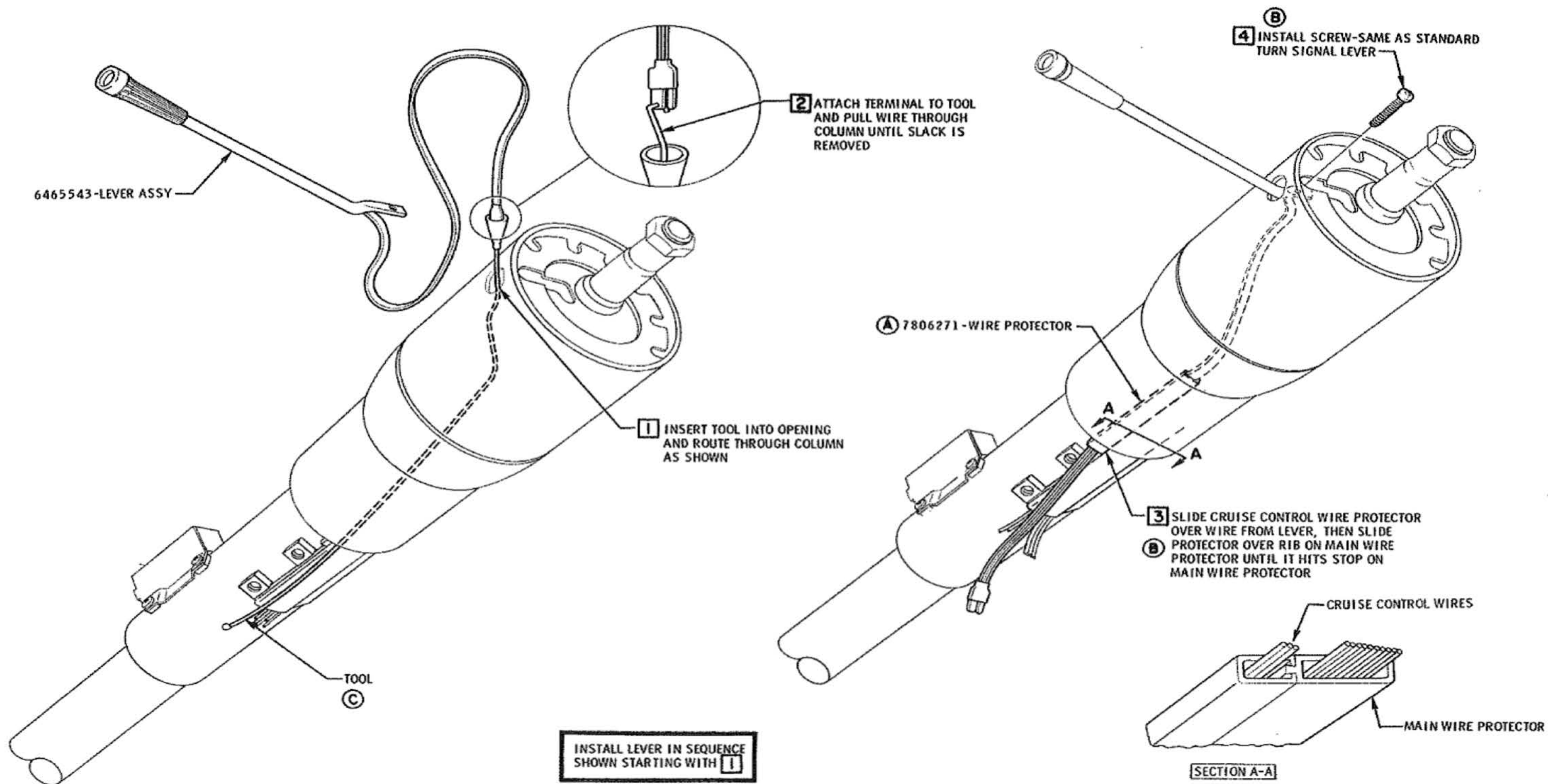
DATE	SYM	REVISION	DR.	CK.	DATE	SYM	REVISION	DR.	CK.	DATE	SYM	REVISION	DR.	CK.	TITLE	FIRST USED	OLDSMOBILE PRODUCT INFORMATION MANUAL	MANUAL SEC.	PAGE
															TILT AND TRAVEL STEERING WHEEL	1969		9	121
					11-19-68	B	NOTE REVISED								DATE APRIL 27, 1967				
					6-11-68	A	PART M ADDED								DR. BY ED J. ROE				
															CHECKED <i>W.B. Amhart</i>	REF. 35N37	SERIES B-C-E	PART NO. 401901-2	
															APPR. <i>[Signature]</i>				



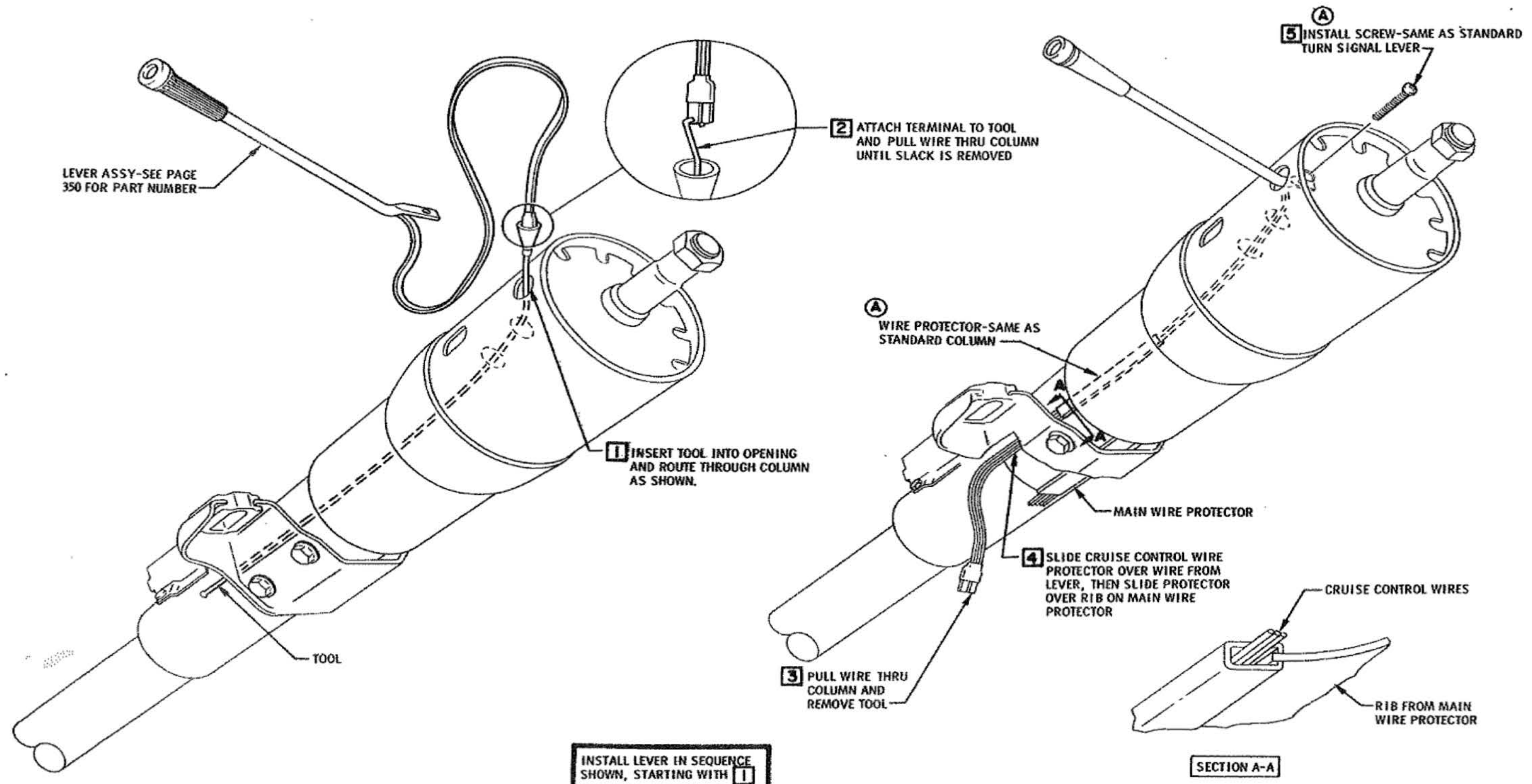
⚠ 15 - 22 LB. FT.
⚙ MUST BE FULLY DRIVEN, SEATED AND NOT STRIPPED

NOTE
POWER STEERING OTHERWISE SAME AS 1ST TYPE.

										TITLE		POWER STEERING HOSE BRACKET-2ND TYPE				
										DATE	APRIL 1, 1969	FIRST USED	1969			
										DR. BY	W.E. MASON	OLDSMOBILE PRODUCT	MANUAL SEC.	9	PAGE	126
										CHECKED	<i>T. Mason</i>	REF. XK-8C-387	SERIES	B-C	PART NO.	401901
										APPR.						
DATE	SYM	REVISION	DR.	CK.	DATE	SYM	REVISION	DR.	CK.	DATE	SYM	REVISION	DR.	CK.	APPR.	
					6-6-69	A	NOTE ADDED									

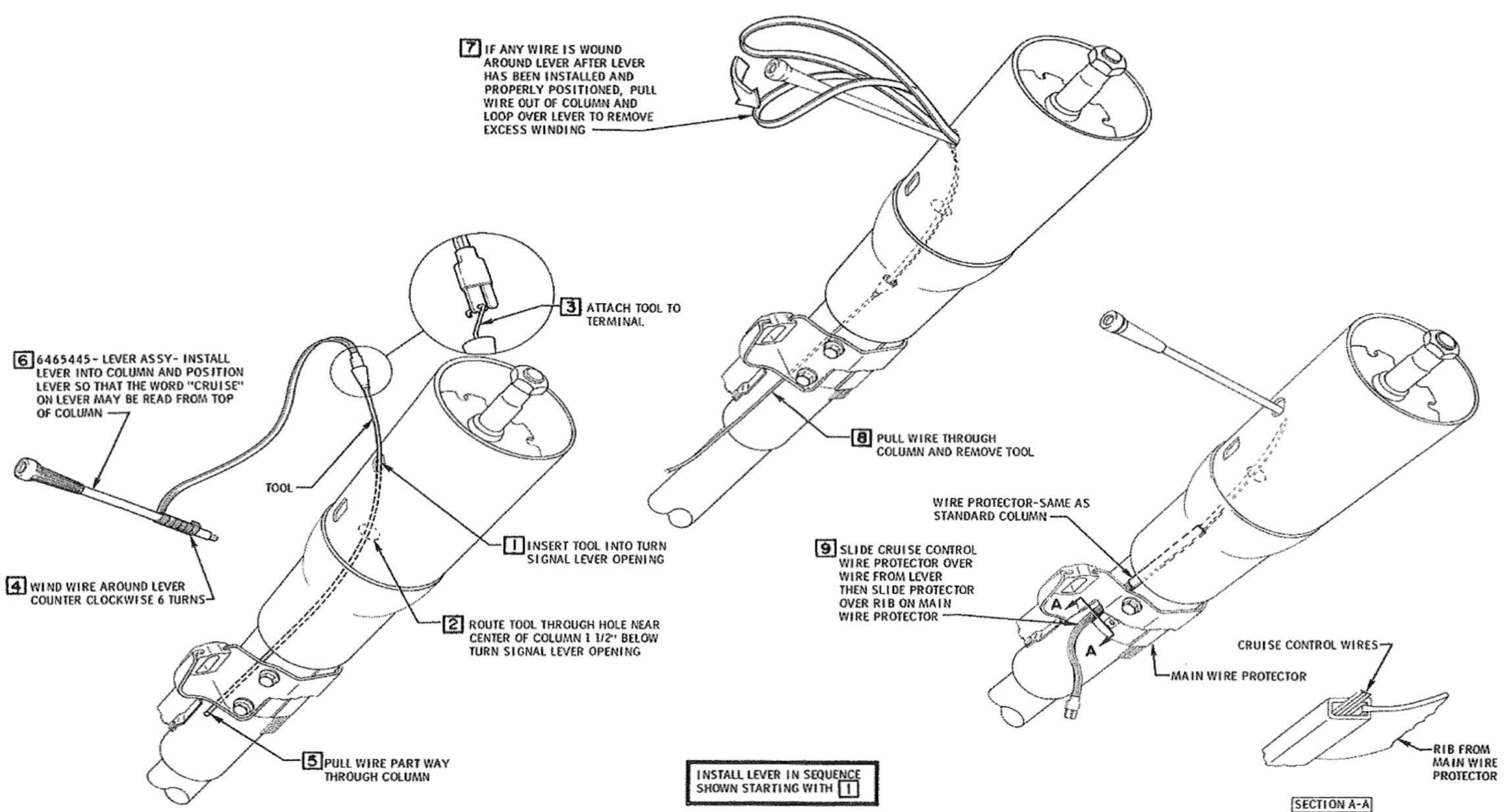


DATE	SYM	REVISION	DR.	CK.	DATE	SYM	REVISION	DR.	CK.	DATE	SYM	REVISION	DR.	CK.	TITLE	FIRST USED	OLDSMOBILE PRODUCT INFORMATION MANUAL	MANUAL SEC.	PAGE
															CRUISE CONTROL LEVER AND SWITCH ASSY- EXCEPT 35N33, 35N37	1969		9	350
					9-30-68	C ₂	NOTE & TITLE REVISED								DATE FEB. 28, 1969				
					6-13-68	B ₂	NOTE REVISED								DR. BY W.E. MASON				
					6-13-68	A	7806271-PROTECTOR ADDED								CHECKED				
															APPR. <i>[Signature]</i>				
															APPR. <i>[Signature]</i>	REF. 35x30	SERIES A-B-C-E	PART NO. 401900-1-2	



INSTALL LEVER IN SEQUENCE SHOWN, STARTING WITH 1

DATE	SYM	REVISION	DR. CK.	DATE	SYM	REVISION	DR. CK.	DATE	SYM	REVISION	DR. CK.	DATE	SYM	REVISION	DR. CK.	TITLE	FIRST USED	OLDSMOBILE PRODUCT INFORMATION MANUAL	MANUAL SEC.	PAGE
																CRUISE CONTROL LEVER AND SWITCH ASSEMBLY - 35N33	1969	9	351	
				9-16-68	C	RELEASED FOR "E" SERIES										DATE APR. 5, 1968				
				8-30-68	B	RELEASED FOR "B-C" SERIES										DR. BY E.J.R. H.E.M.				
				6-11-68	A2	NOTE REVISED										CHECKED	REF. 35K30	SERIES A-B-C-E	PART NO. 401900-1-2	



INSTALL LEVER IN SEQUENCE SHOWN STARTING WITH 1

										TITLE CRUISE CONTROL LEVER AND SWITCH ASSEMBLY - 35N37		FIRST USED 1969		OLDSMOBILE PRODUCT INFORMATION MANUAL		MANUAL SEC. 9		PAGE 352	
										DATE FEB 28, 1969		REF. 35N37		SERIES B-C-E		PART NO. 401901-2			
										DR. BY H.E. MASON		APPR. [Signature]							
										CHECKED [Signature]		APPR. [Signature]							
										B-30-68 A WAS PAGE 351		APPR. [Signature]							
DATE	SYM	REVISION	DR.	CK.	DATE	SYM	REVISION	DR.	CK.	DATE	SYM	REVISION	DR.	CK.	DATE	SYM	REVISION	DR.	CK.



SECTION 10 WHEELS AND TIRES

- 100 CHARTS
- 110 WHEEL AND TIRE ASSEMBLY
- 115 JACK STOWAGE

OLDSMOBILE DIVISION GENERAL MOTORS CORPORATION
LANSING — MICHIGAN

B. CARROLL, INC. 0171

CODE	PART NUMBERS				TIRE SIZE	WALL COLOR
	UNIROYAL	FIRESTONE	GOODRICH	GOODYEAR		
60	1386909	1252507	1386913	1386915	8.55 x 15	BLACK
61	3969632	3969630	3969634	3969636	H78 x 15	BLACK
63				404463	8.55 x 15	WHITE
64				403670	8.55 x 15	WHITE
65	1386910	1232508	1386914	1386916	8.55 x 15	WHITE
66	3969633	3969631	3969635	3969637	H78 x 15	WHITE
70	1382297	1232505	1382299	1381553	8.85 x 15	BLACK
71	3969672	3969670	3969674	3969676	J78 x 15	BLACK
73				399648	8.85 x 15	WHITE
74				403671 *	8.85 x 15	WHITE
				406034 *	9.00 X 15	WHITE
75	1382276	1232506	1382278	1381557	8.85 x 15	WHITE
76	3969673	3969671	3969675	3969677	J78 x 15	WHITE
88		1489328			8.90 x 15	WHITE
90	401237		404546		8.85 x 15	BLACK
91		406064			J78 x 15	BLACK
93				399890	8.85 x 15	WHITE
94				403672	8.85 x 15	WHITE
95	401239		404547		8.85 x 15	WHITE
96		406060			J78 x 15	WHITE

* OPTIONAL - USE EITHER SIZE THAT IS AVAILABLE WHEN PQ9 EQUIPMENT IS ORDERED.

SHORT SILL COWL JOBS (39860) MUST ELECT QC6 OPTION. NO STANDARD TIRE SHOWN.

SERIES	EXPORT OPTION	DOMESTIC OR EXPORT					
	P16	QC6	PQ9	P83	P82	P26	STD.
35400	63	--	64	66	61	65	60
36400	63	--	64	66	61	65	60
36600	63	--	64	66	61	65	60
38400	73	--	74	76	71	75	70
38600	73	--	74	76	71	75	70
39400	93	--	94	96	91	95	90
39600	93	--	94	96	91	95	90
39860	--	88	--	--	--	--	--

-- INDICATES THAT THE CONDITIONS SHOWN ARE NOT AVAILABLE.

BLACKWALL (STD.)

- 60 - 8.55 x 15
- 70 - 8.85 x 15
- 90 - 8.85 x 15 (TORONADO)

WHITEWALL (P26)

- 65 - 8.55 x 15
- 75 - 8.85 x 15
- 95 - 8.85 x 15 (TORONADO)

SPECIAL TIRES

- 61 - H78 x 15 FIBERGLASS BELTED B/W (P82)
- 63 - 8.55 x 15 NYLON CUSTOM POWER CUSHION W/W (P16)
- 64 - 8.55 x 15 CUSTOM POWER CUSHION W/W (PQ9)
- 66 - H78 x 15 FIBERGLASS BELTED W/W (P83)
- 71 - J78 x 15 FIBERGLASS BELTED B/W (P82)
- 73 - 8.85 x 15 NYLON CUSTOM POWER CUSHION W/W (P16)
- 74 - 8.85 X 15
- OR 9.00 X 15 CUSTOM POWER CUSHION W/W (PQ9)
- 76 - J78 x 15 FIBERGLASS BELTED W/W (P83)
- 88 - 8.90 x 15 6-PLY 8-PLY RATING W/W (QC6) (S/S COWL)
- 91 - J78 x 15 FIBERGLASS BELTED B/W (P82) (TORONADO)
- 93 - 8.85 x 15 NYLON CUSTOM POWER CUSHION W/W (P16) (TORONADO)
- 94 - 8.85 x 15 CUSTOM POWER CUSHION W/W (PQ9) (TORONADO)
- 96 - J78 x 15 FIBERGLASS BELTED W/W (P83) (TORONADO)

TO READ CHART:

READING CHART FROM LEFT TO RIGHT, THE FIRST OPTION REACHED THAT IS COMPLETELY SATISFIED WILL INDICATE THE TIRE CODE TO BE USED ON THAT MODEL. IF NONE OF THE CONDITIONS ABOVE ARE SATISFIED, THE LAST COLUMN IS STANDARD CAR (LESS ALL OPTIONS SHOWN TO THE LEFT OF IT) AND WILL INDICATE THE TIRE CODE TO BE USED. PROCEED TO THE CORRELATION CHART TO FIND THE PART NUMBER, SIZE, AND WALL COLOR OF TIRE FOR THAT CODE.

PLY, PLY RATING AND CORD TYPE INFORMATION CAN BE OBTAINED FROM THE DRAWINGS 399648, 399890, 399891 401237, 401239, 401379, 401381, 402702, 403670, 403671, 404463, 1381524 AND 1486344 WHEN REQUIRED.

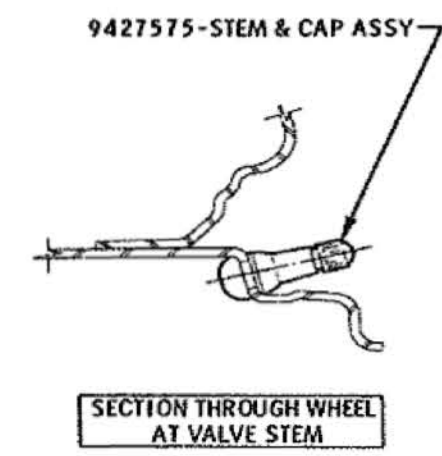
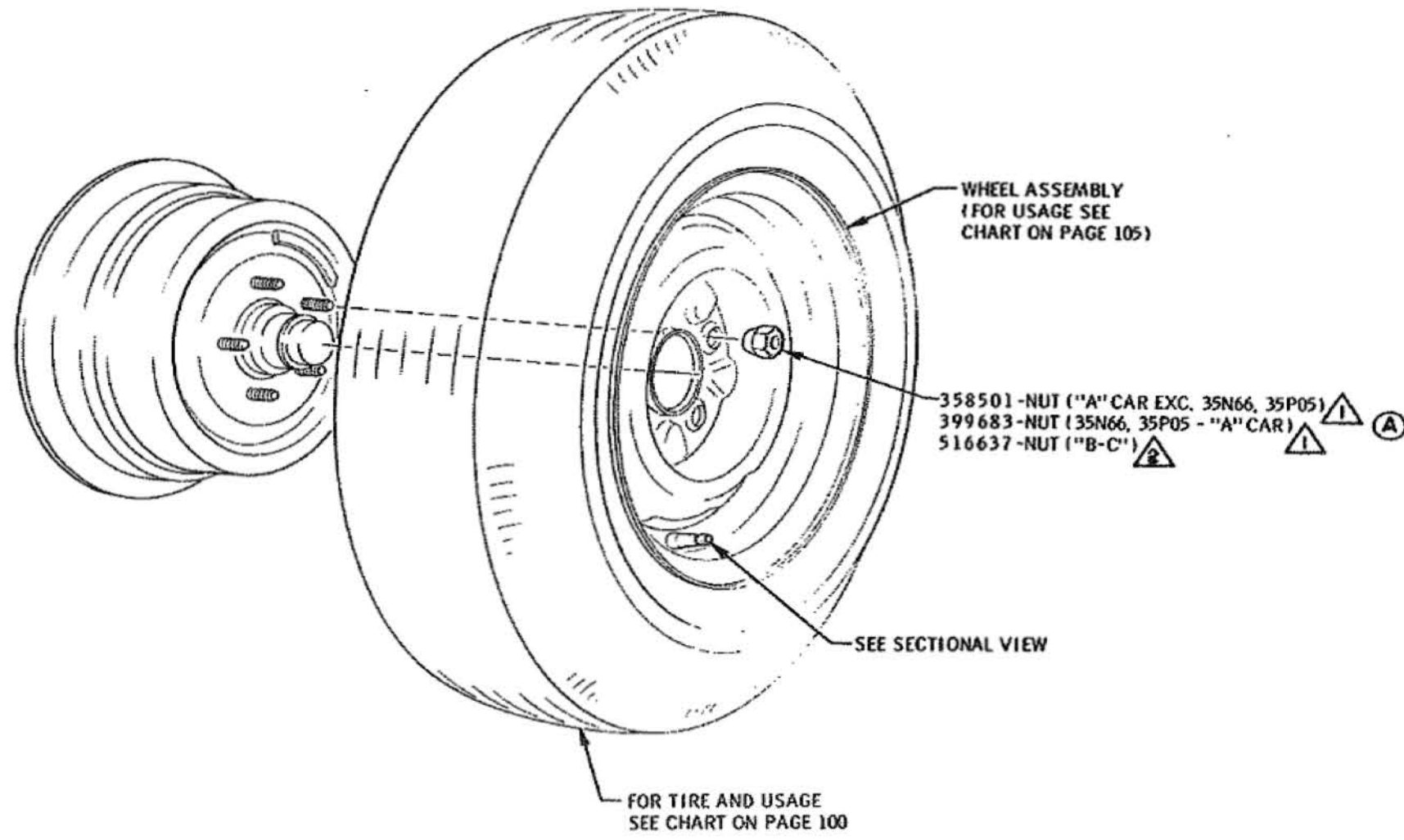
- P16 IS EXPORT OPTION WHITEWALL NYLON TIRE
- P26 IS WHITEWALL TIRE OPTION
- P82 IS BLACKWALL FIBERGLASS BELTED TIRE
- P83 IS WHITEWALL FIBERGLASS BELTED TIRE
- PQ9 IS WHITEWALL CUSTOM POWER CUSHION (POLYESTER) TIRE
- QC6 IS WHITEWALL 8.90 X 15 6-PLY 8-PLY RATING TIRE (SHORT SILL COWL JOBS)

TITLE CHART - TIRE USAGE										SHEET 2				
DATE <u>MARCH 12, 1969</u>					FIRST USED		OLDSMOBILE PRODUCT INFORMATION MANUAL		MANUAL SEC. PAGE					
DR. BY <u>L. SPITZLEY</u>					1969		10		101					
CHECKED <u>John Armes</u>					REF.		SERIES		PART NO.					
APPR. <u>W. J. ...</u>							B-C-E		403921					
DATE	SYM	REVISION	DR.	CK.	DATE	SYM	REVISION	DR.	CK.	DATE	SYM	REVISION	DR.	CK.

GROUP	DESCRIPTION	F-85			8C			TORONADO		
		PART NO.	CODE	REMARKS	PART NO.	CODE	REMARKS	PART NO.	CODE	REMARKS
	STANDARD	383178	XC	ALL EXC. 442 & S.W.	402288	LM		395265	LH	
		403397	LR	442 & S.W.						
(F)	FE2 442 WHEEL	403397	LR	3277, 3667, 77, 87						
	JL2 FRONT DISC BRAKE	403397	LR							
	J55 HEAVY DUTY FRONT DISC BRAKE				403898	LT				
	N66 STYLED WHEEL	400422	LS							
	N81 WIDE OVAL TIRE	403397	LR							
(H)	N98 CHROME WHEEL						405664	LV		
	N99 HEAVY DUTY				403898	LT				
	P03 DELUXE DISC						401292	LH		
(J)(E)	P05 STYLED WHEEL	405941	LE							
(E)	PL5 WIDE OVAL TIRE	403397	LR							
(K)(G)										
	P81 WIDE OVAL TIRE	403397	LR							
	97-10 CKD	3869447	XC							
	97-35 CKD FRONT DISC BRAKE	403449	LR							
	99 DRIVEAWAY CHASSIS				403898	LT				

DATE	SYM	REVISION	DR.	CK.	DATE	SYM	REVISION	DR.	CK.	DATE	SYM	REVISION	DR.	CK.	DATE	SYM	REVISION	DR.	CK.	TITLE	CHART - WHEEL USAGE	FIRST USED	OLDSMOBILE PRODUCT INFORMATION MANUAL	MANUAL SEC.	PAGE
					22169	K	P37 REMOVED	KLJF	52468	F2	PL5 + P81 ADDED	KLJF									DATE FEB. 29, 1968	1969		10	105
					22169	J	WAS 393822	KLJF	52468	D	WAS 400422 LS	KLJF									DR. BY DON MALKIN				
					22169	H	WAS 395969	KLJF	52468	C	N66 ADDED	KLJF									CHECKED J. F. 11/7/68				
					12369	G	P37 ADDED	LSJF	5968	B	RADIAL PLY TIRE FROM	LSJF									APPR.				
					22169	F	LINE ADDED	KLJF	5968	A3	WAS 536715 LG	KLJF									APPR.				

SERIES **A-B-C-E** PART NO. **403637**



358501-NUT ("A" CAR EXC. 35N66, 35P05) $\triangle 1$ \textcircled{A}
 399683-NUT (35N66, 35P05 - "A" CAR) $\triangle 1$ \textcircled{A}
 516637-NUT ("B-C") $\triangle 2$

STATIC BALANCE WEIGHTS UP TO & INCLUDING 3 OZ. TO BE INSTALLED ON EITHER RIM FLANGE. ABOVE 3 OZ. THE ADDITIONAL WEIGHT TO BE ADDED TO OPPOSITE RIM FLANGE. 5 OZ. MAXIMUM WEIGHT PER WHEEL.

ASSEMBLY INSTRUCTIONS - TIRE TO WHEEL -

1. LUBRICATE TIRE BEADS AND VALVE STEM ASSEMBLY WITH 9985005 LUBRICANT.
2. IMMEDIATELY ASSEMBLE VALVE STEM AND TIRE TO WHEEL AND INFLATE TO 24-50 P. S. I. INSTALLATION MUST BE MADE BEFORE LUBRICANT IS DRY.
3. BLACK SIDEWALL TIRES TO BE MOUNTED WITH MANUFACTURING INFORMATION TOWARD CENTERLINE OF CAR.
4. WHEEL AND TIRE ASSY TO BE BALANCED TO WITHIN 4 IN. OZ.
5. RUNOUT OF WHEEL AND TIRE ASSY:
 .060 T. I. R. RADIAL MAX.
 .085 T. I. R. LATERAL MAX.

$\triangle 1$ 60 - 80 LB. FT.
 $\triangle 2$ 65 - 85 LB. FT.

										TITLE		WHEEL & TIRE ASSY		FIRST USED		OLDSMOBILE PRODUCT		MANUAL SEC. PAGE	
										DATE		MARCH 2, 1968		1969		INFORMATION MANUAL		10 110	
										DR. BY		BOYER		CHECKED		M. J. arnhart			
										APPR.		2/21/68		REF.		SERIES		PART NO.	
										8-5-68 A		35N66 ADDED		10B 35P05		A-B-C		401900-1	
DATE	SYM	REVISION	DR.	CK.	DATE	SYM	REVISION	DR.	CK.	DATE	SYM	REVISION	DR.	CK.	APPR.	REF.	SERIES	PART NO.	

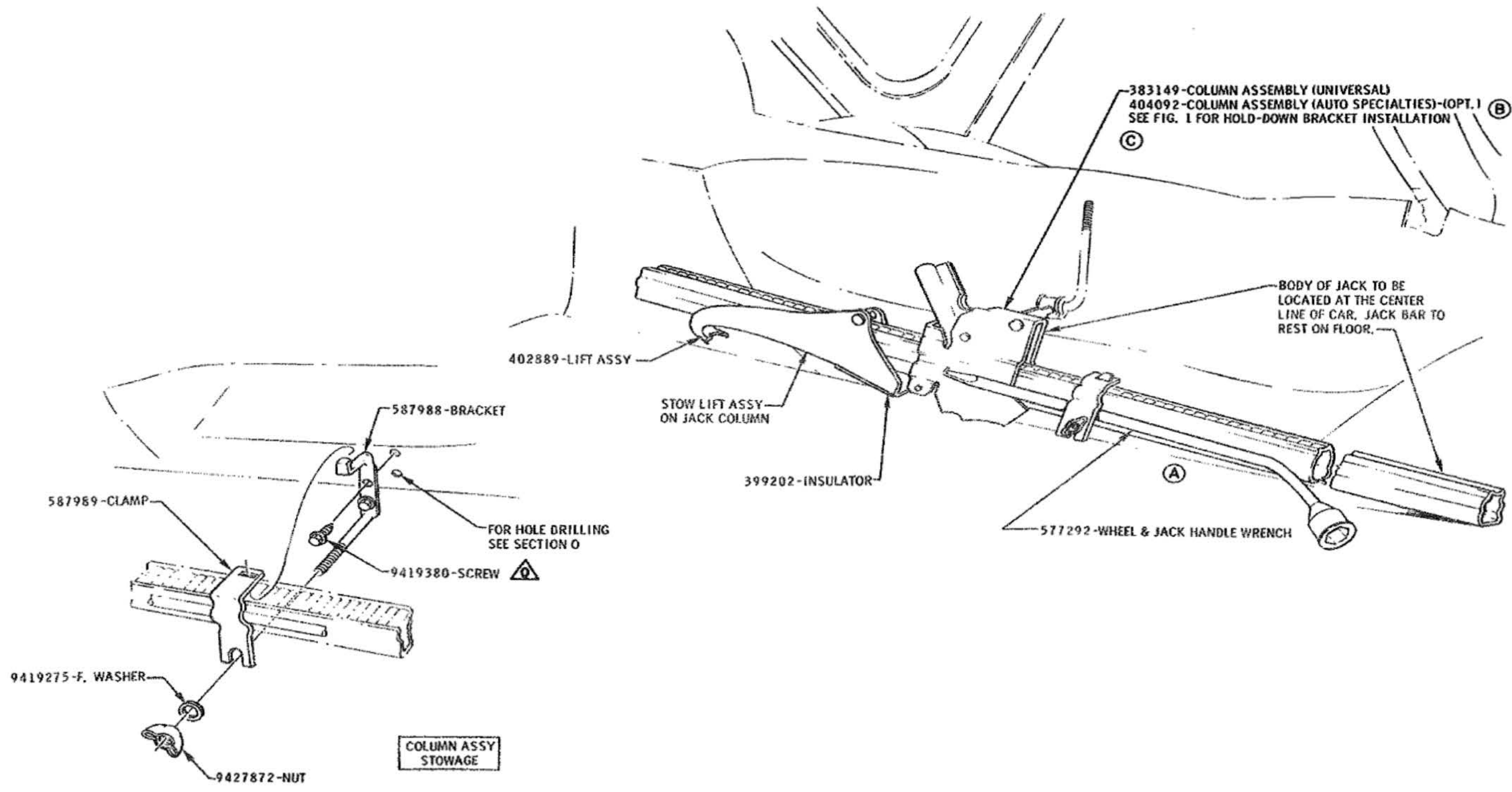
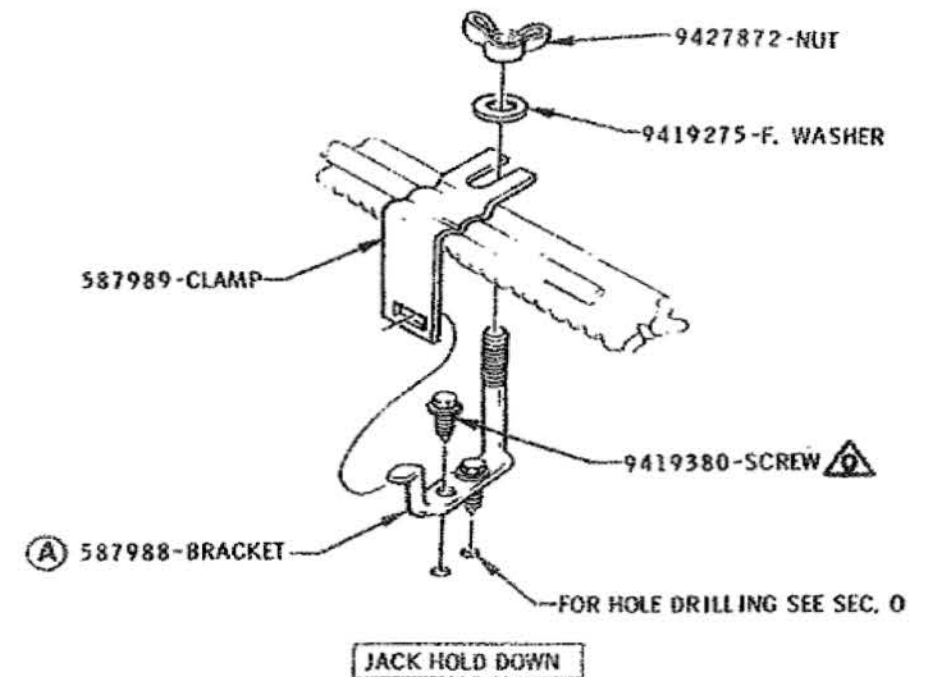
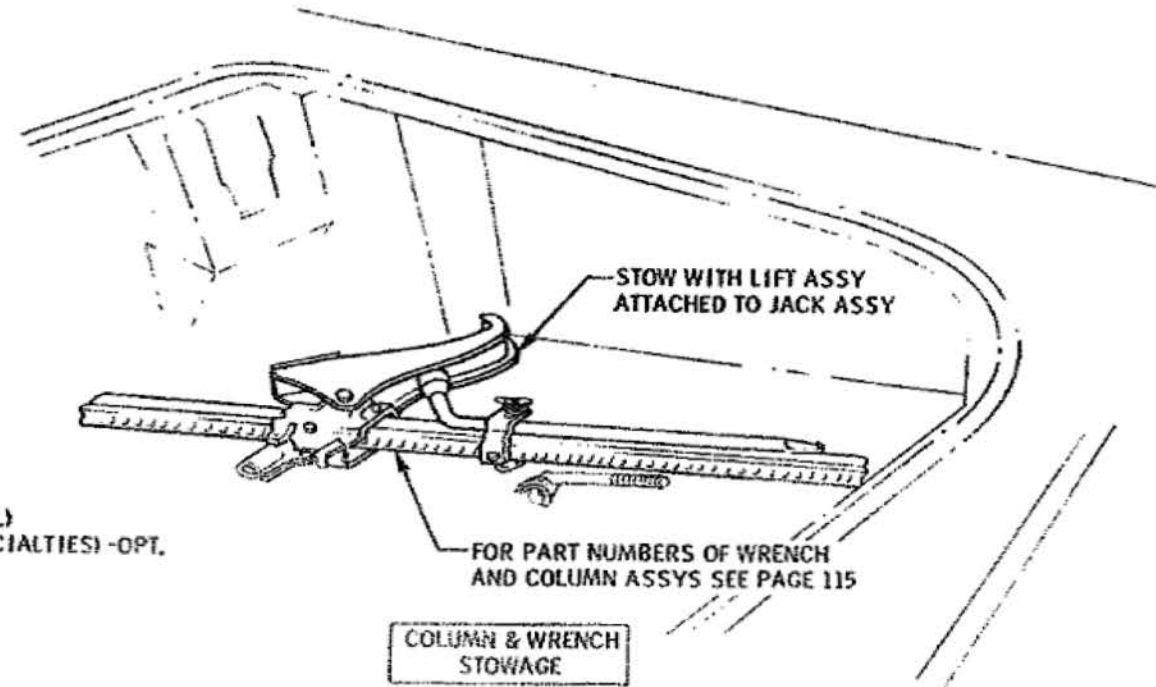
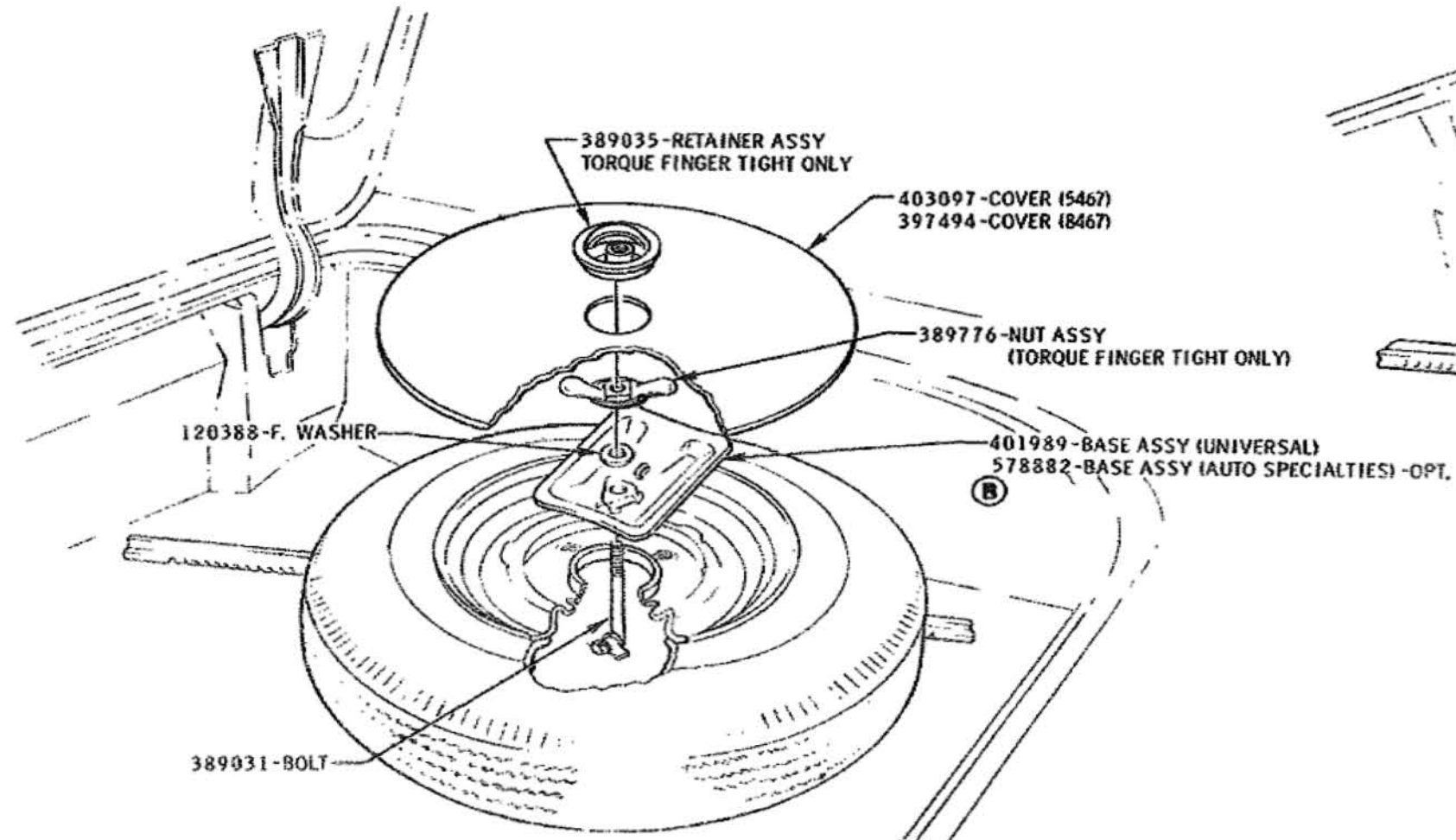


FIGURE 1

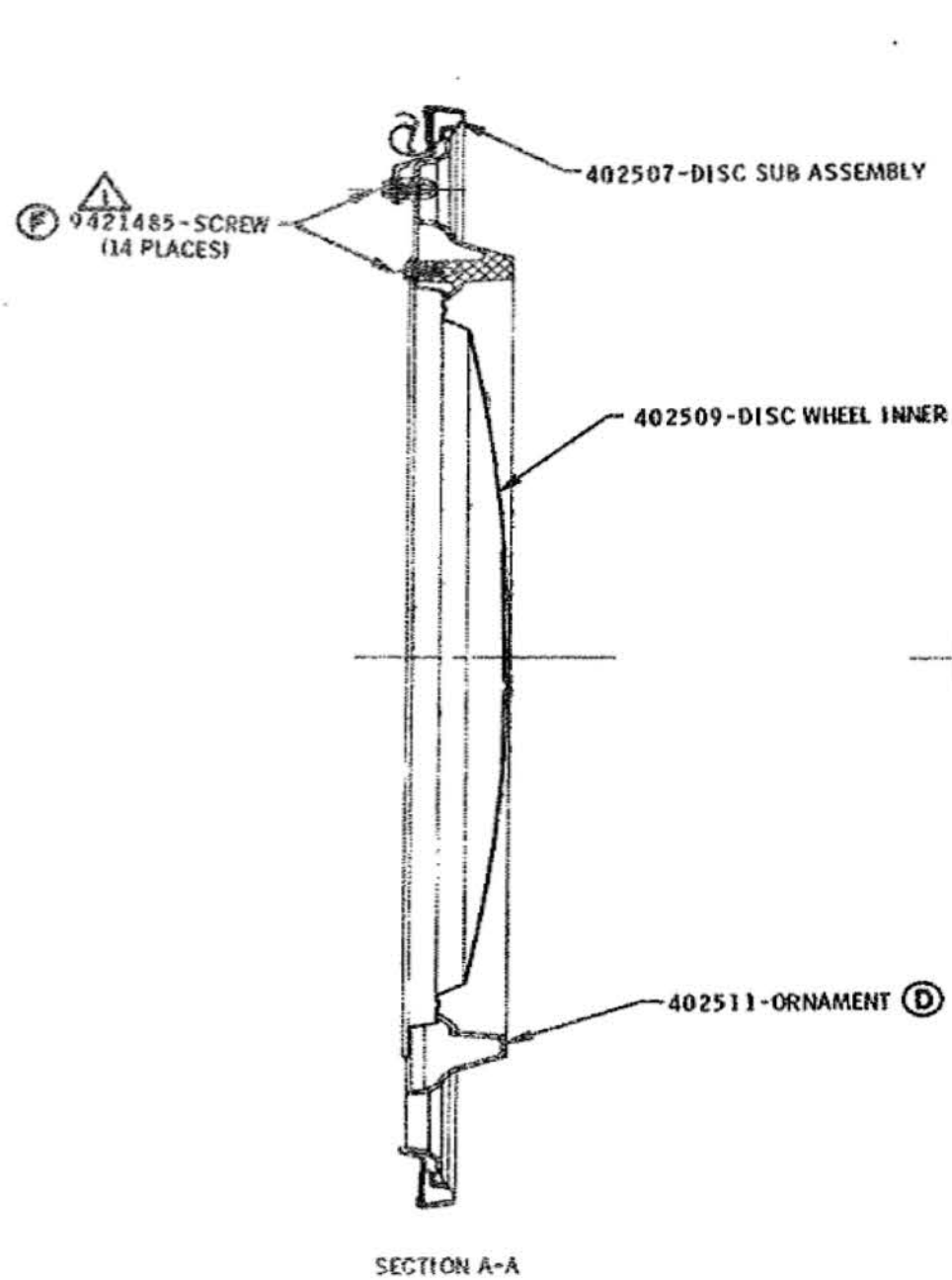
MUST BE FULLY DRIVEN, SEATED AND NOT STRIPPED

DATE	SYM	REVISION	DR.	CK.	DATE	SYM	REVISION	DR.	CK.	DATE	SYM	REVISION	DR.	CK.	DATE	SYM	REVISION	DR.	CK.	APPR.	TITLE	FIRST USED	OLDSMOBILE PRODUCT INFORMATION MANUAL	MANUAL SEC.	PAGE
																					WRENCH, LIFT & COLUMN ASSY STOWAGE (EXCEPT CONVERTIBLES)	1969		10	115
					5-23-68	C	390683-COL. ASM CANCELLED														DATE FEB. 13 1968				
					5-20-68	B	WAS 401830-COL. ASM														DR. BY B. PARKER				
					3-20-68	A	WRENCH STOWAGE REV.														CHECKED	REF. 14E	SERIES B-C	PART NO.	401901
																					APPR. S.M. 2/10/68				

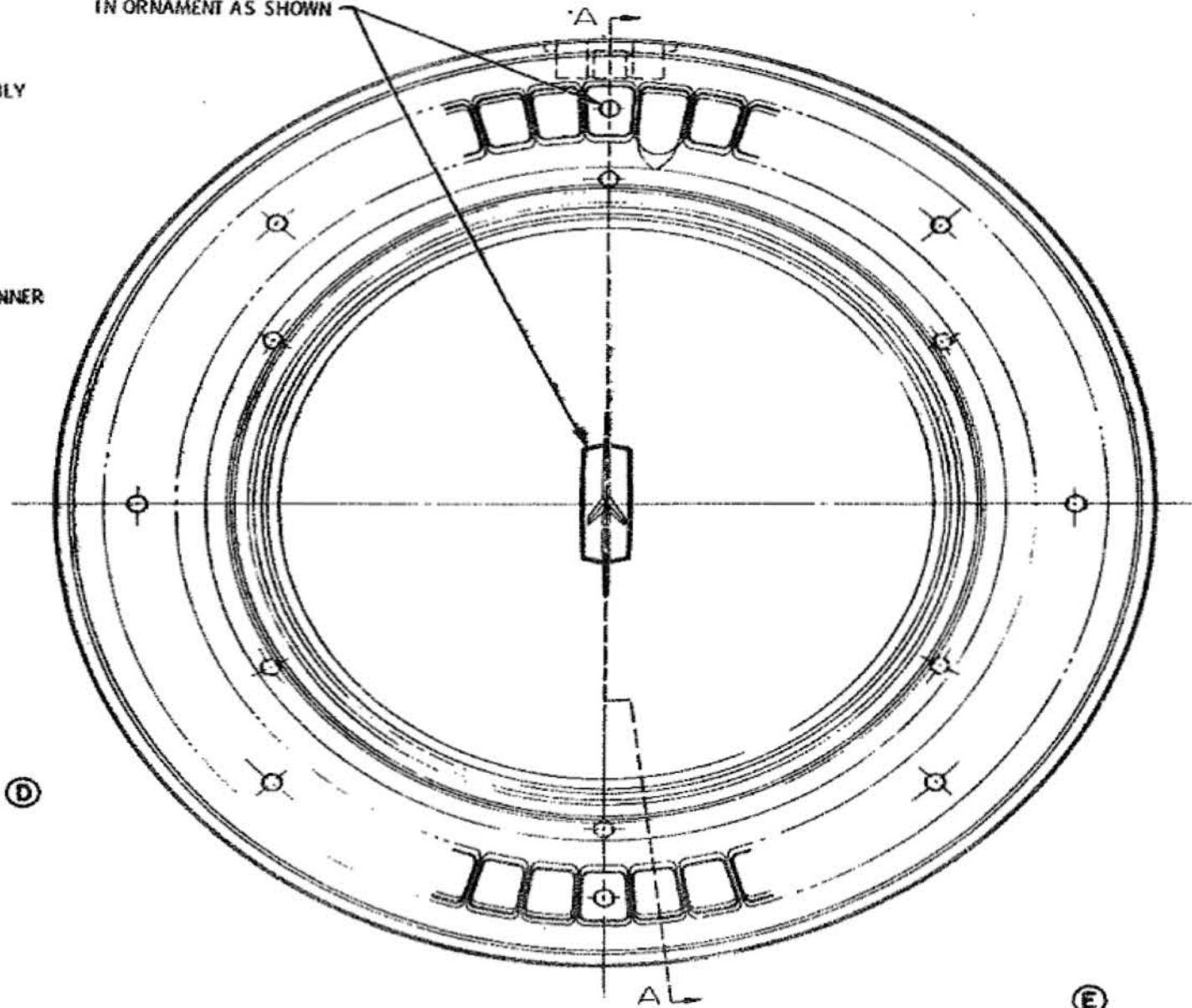


MUST BE FULLY DRIVEN, SEATED AND NOT STRIPPED

DATE														TITLE										
DATE	SYM	REVISION	DR.	CK.	DATE	SYM	REVISION	DR.	CK.	DATE	SYM	REVISION	DR.	CK.	CONVERTIBLE SPARE WHEEL & JACK STOWAGE									
															DATE	FEB 13 1968	FIRST USED	1969	OLDSMOBILE PRODUCT INFORMATION MANUAL	MANUAL SEC.	10	PAGE	117	
															DR. BY	B. PARKER	REF.	105, 116	SERIES	B-C	PART NO.	401901		
															CHECKED									
															APPR.									
															APPR.	S.M.	2/15/68							



DISC MUST BE INDEXED WITH EMBLEM IN LINE WITH BOSS IN ORNAMENT AS SHOWN

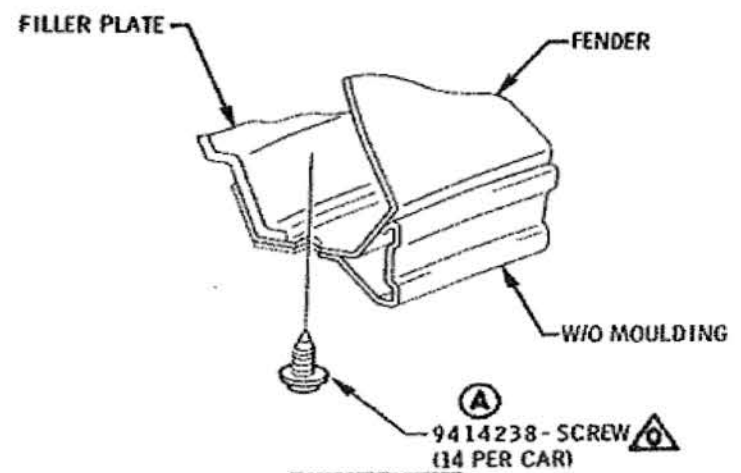
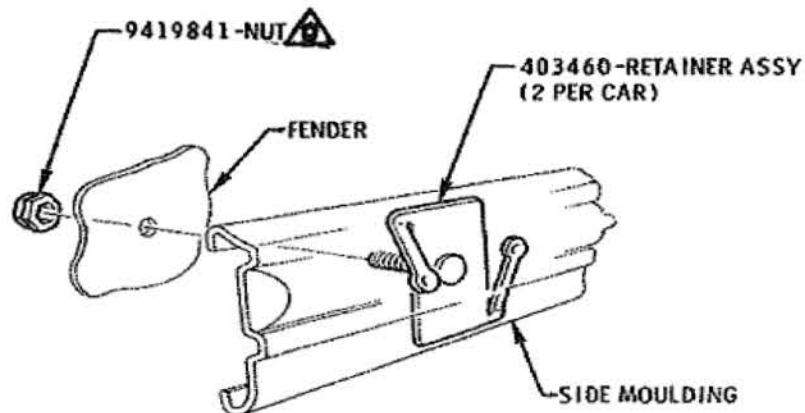
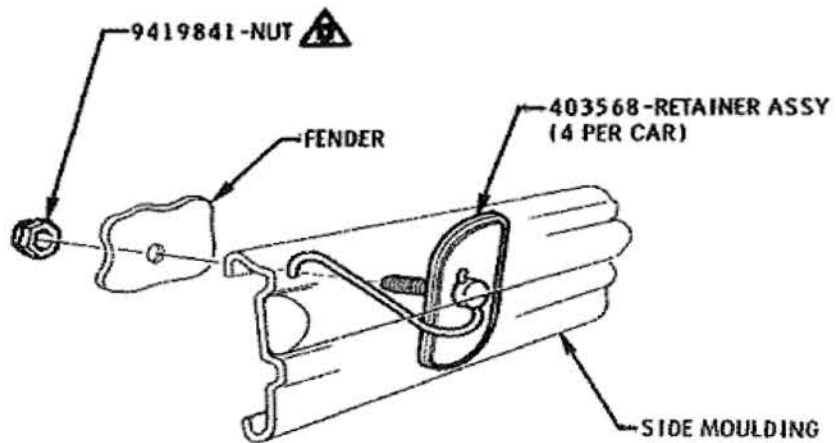
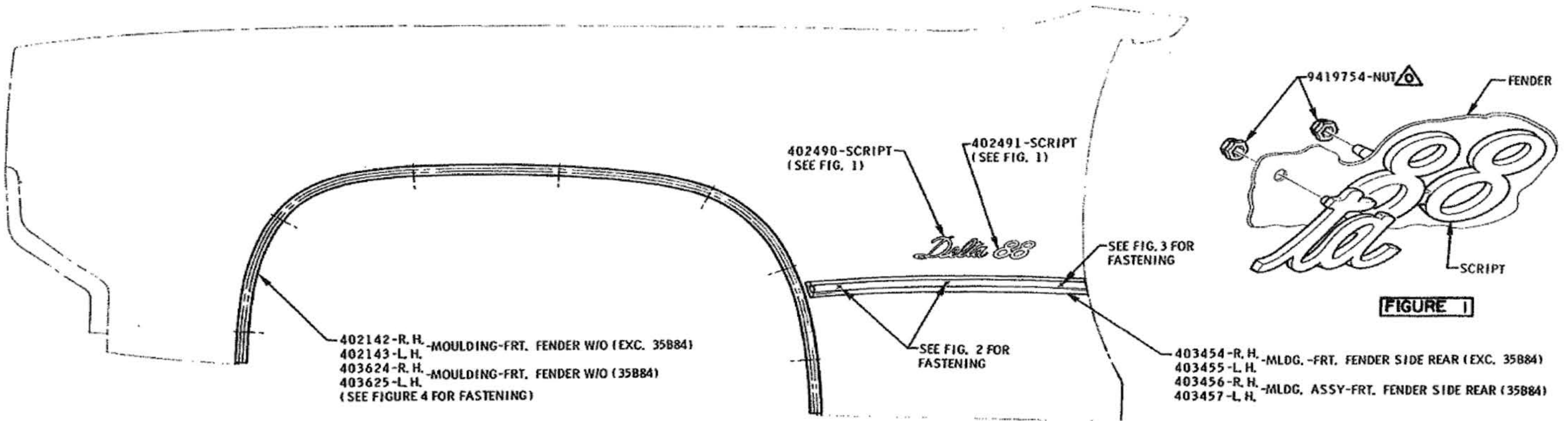


⚠️ (E) 35 - 45 LB. IN.

PRODUCTION SAMPLE TO BE TESTED AND APPROVED BY PRODUCT ENGINEERING FOR OLDSMOBILE PARTS.

DOCUMENTATION REQUIRED

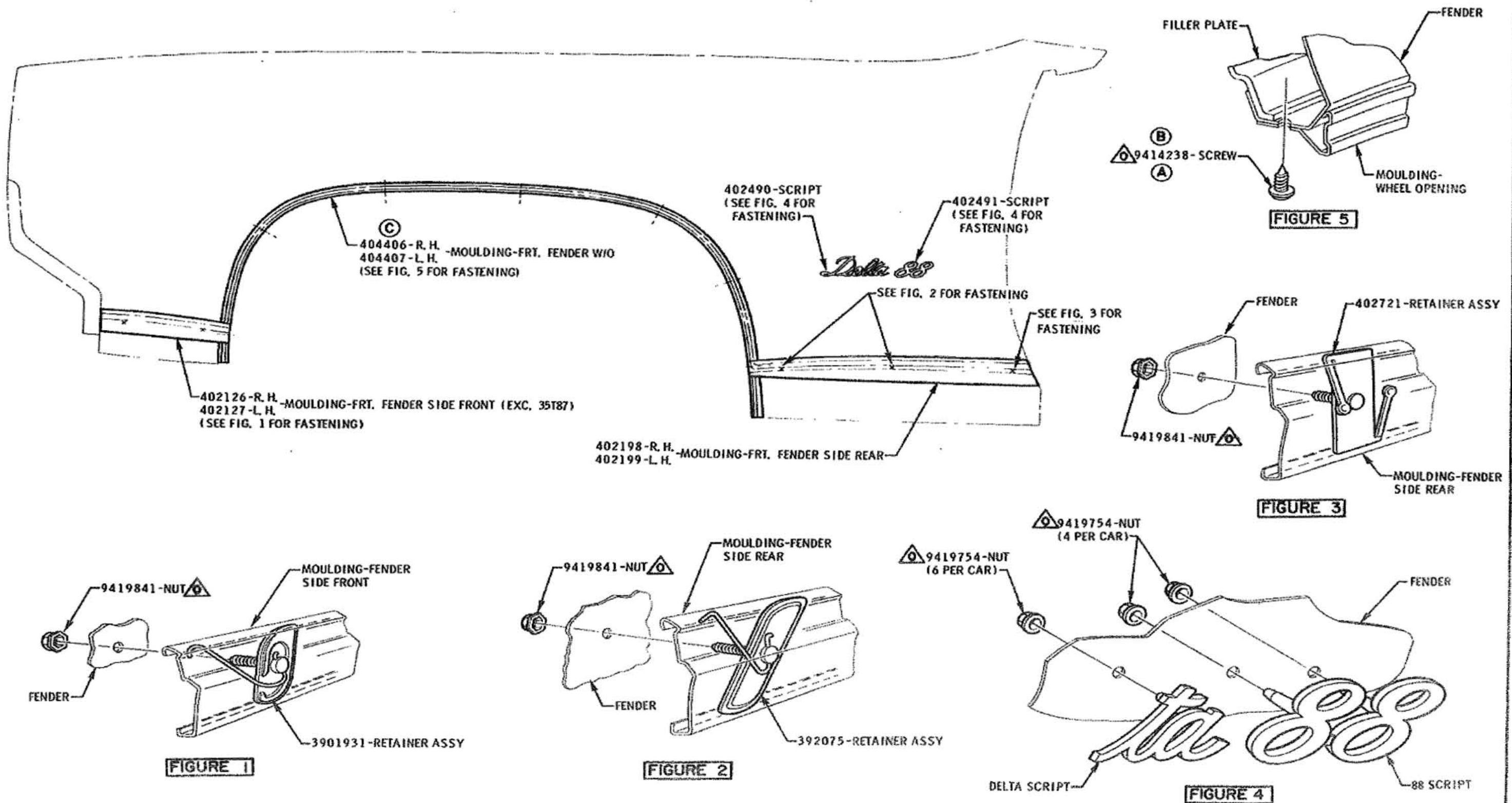
DATE	SYM	REVISION	DR.	CK.	DATE	SYM	REVISION	DR.	CK.	DATE	SYM	REVISION	DR.	CK.	DATE	SYM	REVISION	DR.	CK.	TITLE	FIRST USED	OLDSMOBILE PRODUCT INFORMATION MANUAL	MANUAL SEC.	PAGE
					9-12-68	F	WAS 580943			66	JT									DISC ASSEMBLY - WHEEL	1969		10	120
					9-12-68	E	WAS 30-40 LB. IN.			66	JT									DATE OCT. 18, 1967				
					7/1/68	D	REVISED TO DETAIL													DR. BY G HEETHUIS				
					6/21/68	C	FORMAT REVISED													CHECKED W. JOHNSTON				
																				APPR. T.R. FERNAND				
																				APPR. G.M. SVENDSEN				
																					XD-85209	B-C		402510



▲ MUST BE FULLY DRIVEN, SEATED AND NOT STRIPPED

(5400)

TITLE												EXTERIOR MOULDINGS AND ORNAMENTATION			
DATE <i>MAR. 5, 1968</i>						FIRST USED		OLDSMOBILE PRODUCT INFORMATION MANUAL		MANUAL SEC.		PAGE			
DR. BY <i>JOSEPH V. GALL</i>						1969				11		150			
CHECKED <i>[Signature]</i>						REF. 11G		SERIES		PART NO.		401901			
APPR. <i>[Signature]</i>						35B84		B-C							
DATE	SYM	REVISION	DR.	CK.	DATE	SYM	REVISION	DR.	CK.	DATE	SYM	REVISION	DR.	CK.	
					7/1-68	A	WAS 398099-SCREW								



⚠ MUST BE FULLY DRIVEN, SEATED AND NOT STRIPPED

(6400)

TITLE												EXTERIOR MOULDINGS AND ORNAMENTATION				
DATE	SYM	REVISION	DR.	CK.	DATE	SYM	REVISION	DR.	CK.	DATE	SYM	DATE	FIRST USED	OLDSMOBILE PRODUCT INFORMATION MANUAL	MANUAL SEC.	PAGE
													1969		11	152
													REF. 11 G	SERIES	PART NO.	
														B-C	401901	

8-5-68 C WAS 402192-3 MOULDING PL DT
 7-1-68 B WAS 398049-SCREW PL Vg
 2-29-68 A WAS 588546-SCREW 5/8 DT
 DR. BY JOSEPH V. GALL
 CHECKED J. H. H.
 APPR. J. H. H.
 APPR. S.M. 1/25/68

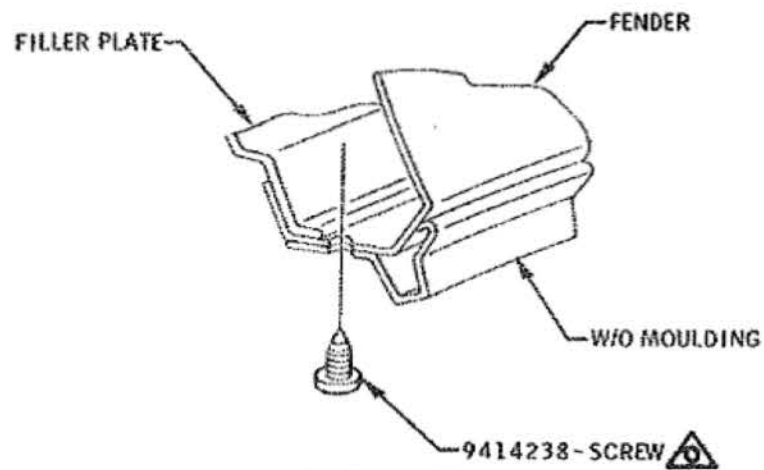
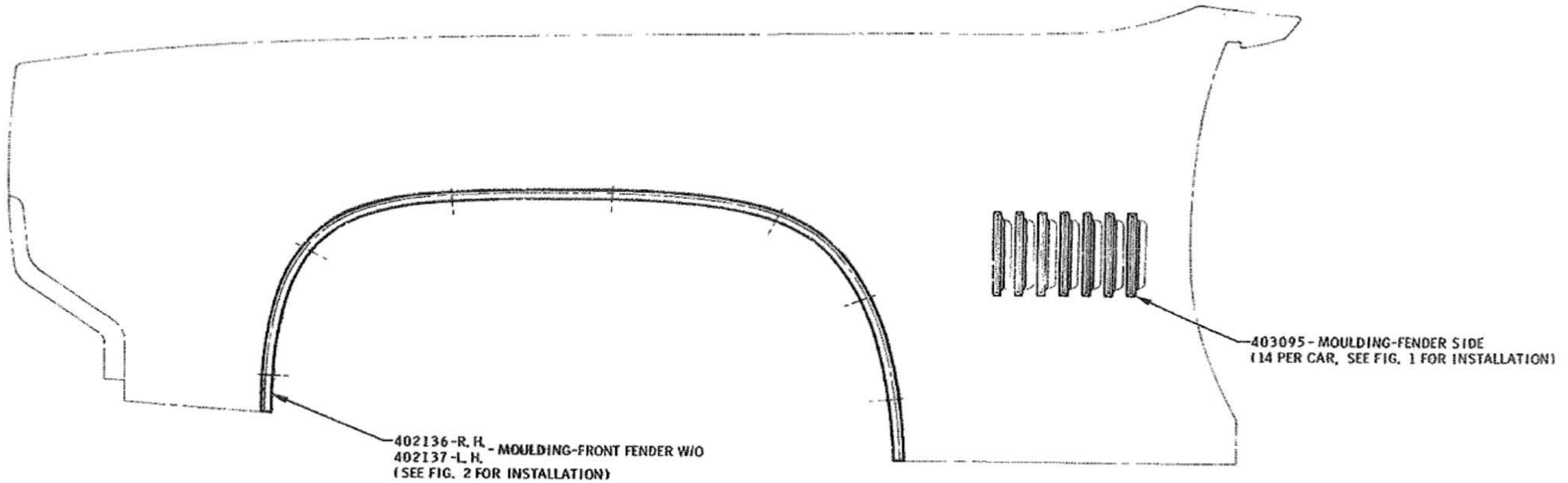


FIGURE 2

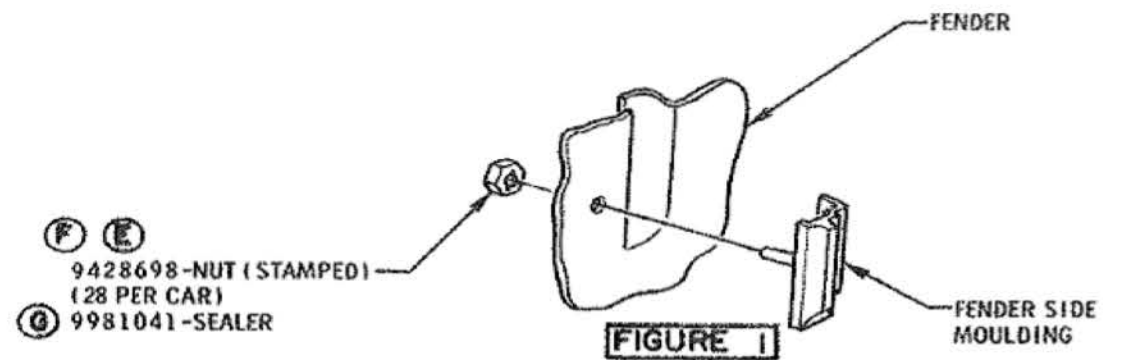


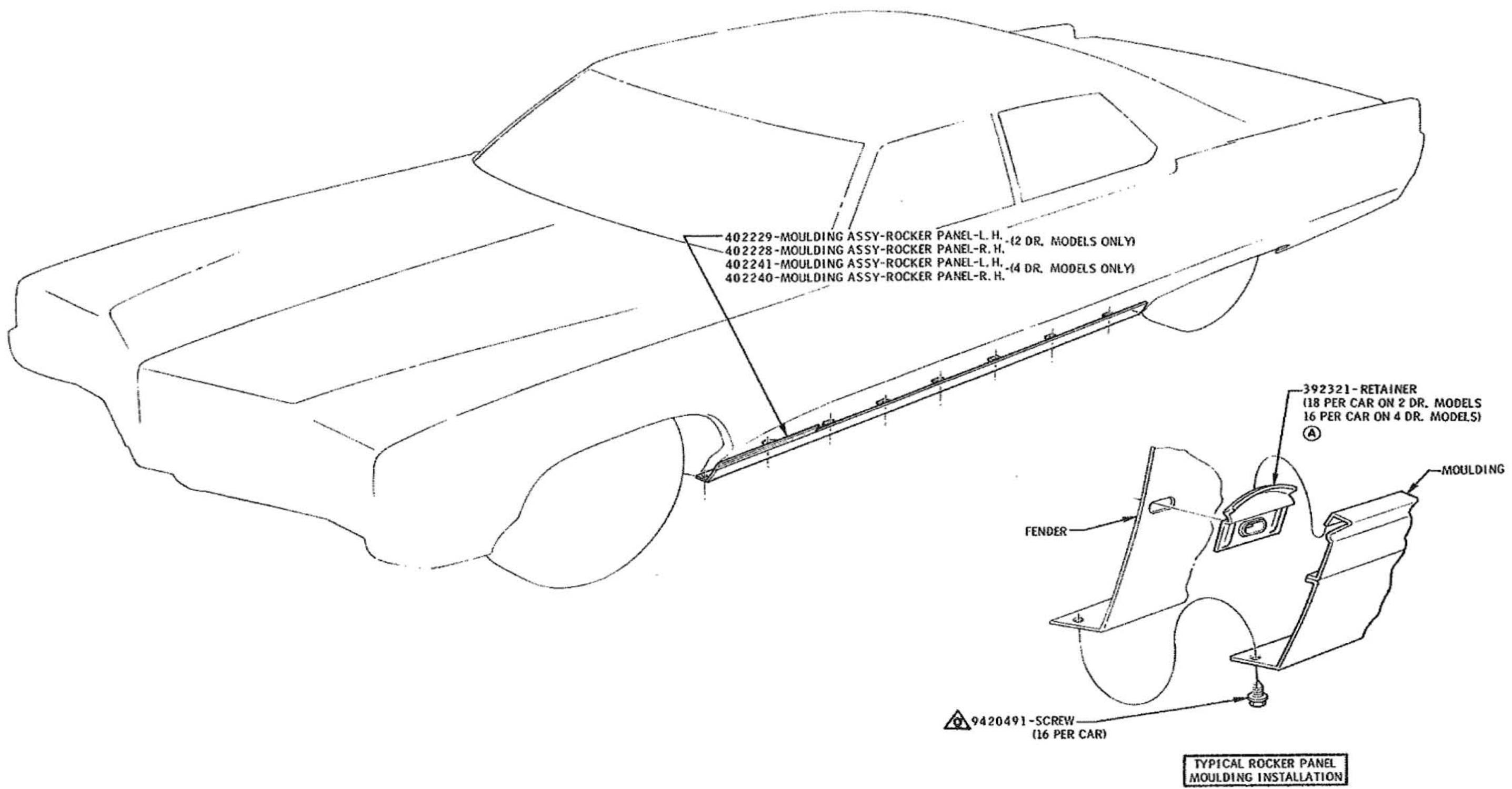
FIGURE 1

NOTE:
SEE SECTION "O" FOR
PAINT STRIPE APPLICATION

G MUST BE FULLY DRIVEN, SEATED AND NOT STRIPPED

6600 MODELS

DATE		SYM		REVISION		DR. CK.		DATE		SYM		REVISION		DR. CK.		DATE		SYM		REVISION		DR. CK.		DATE		SYM		REVISION		DR. CK.		DATE		SYM	
								8-5-68		E		WAS 463039 - NUT		FL		DT		TITLE		EXTERIOR MOULDINGS & ORNAMENTATION															
								7-1-68		D		WAS 398049 - SCREW		FL		DT		DATE		FIRST USED		OLDSMOBILE PRODUCT		MANUAL SEC. PAGE											
								3-1-68		C		NOTE ADDED		FL		DT		JAN. 23, 1967		1969		INFORMATION MANUAL		11 154											
				9-9-68		G		9981041-SEALER ADDED		1/16		DT		3-1-68		B		DR. BY		REF. 11 G		SERIES		PART NO.											
				9-9-68		F		WAS 409387-PUSH-NUT		1/16		DT		2-19-68		A		CHECKED		B-C		401901													
																		APPR.																	
																		1/23/68																	



⊙ MUST BE FULLY DRIVEN, SEATED AND NOT STRIPPED.

84 - 8600

TITLE										EXTERIOR MOULDINGS AND ORNAMENTATION			
DATE	FEB. 8, 1968				FIRST USED	1969				OLDSMOBILE PRODUCT	MANUAL SEC.	PAGE	
DR. BY	C. H. HANSEN				CHECKED	J. HANSEN				INFORMATION MANUAL	11	157	
DATE	2-25-68				REVISION	A				REF.	SERIES	PART NO.	
SYM	A				NOTE	REVISED				1A2F	B-C	401901	
DR. CK.	DATE	SYM	REVISION	DR. CK.	DATE	SYM	REVISION	DR. CK.	DATE	SYM	REVISION	DR. CK.	



SECTION 11 SHEET METAL

100	CHARTS
110	FRONT BULKHEAD COMPONENTS
125	FILLER PLATE COMPONENTS
133	FENDER COMPONENTS
138	SHEET METAL
140	ELECTRIC ANTENNA
150	EXTERIOR ORNAMENTATION
180	HOOD COMPONENTS
190	SHEET METAL CLEARANCE

(1) THE FOLLOWING TABLE SHOWS THE AMOUNT OF INHIBITED ETHYLENE GLYCOL COOLANT REQUIRED TO GIVE A 44% SOLUTION BY VOLUME. (SEE EXCEPTION #)

MODELS	TOTAL COOLING SYSTEM CAPACITY	FREEZING POINT	PERCENT SOLUTION BY VOLUME	QUANTITY OF COOLANT SOLUTION
ALL 350 CU. IN. EXC. A/C & Y72	16.5 QTS.	- 20° F.	44.0	7.25 QTS.
ALL 350 CU. IN. A/C	17.0 QTS.	- 20° F.	44.0	7.50 QTS.
ALL 350 CU. IN. Y72	17.5 QTS.	- 20° F.	44.0	7.70 QTS.
ALL 455 CU. IN. EXC. A/C & Y72	17.5 QTS.	- 20° F.	44.0	7.70 QTS.
ALL 455 CU. IN. A/C	18.0 QTS.	- 20° F.	44.0	7.82 QTS.
ALL 455 CU. IN. Y72	18.5 QTS.	- 20° F.	44.0	8.15 QTS.

NOTE: METHANOL TYPE ANTI-FREEZE OR WATER ARE NOT TO BE USED UNDER ANY CONDITION. ALL SERIES MUST BE PROTECTED AS SHOWN ABOVE WITH ETHYLENE GLYCOL TYPE COOLANT. NO DEVIATION PERMITTED BY ANY PLANT OR ZONE FOR CLIMATIC CONDITIONS.

(2) GENERAL

CAUTION: SOLUTION LEVEL MUST BE HELD TO "FILL COLD" MARK TO PREVENT LEAKAGE DURING TRANSPORTATION AND LOSS OF COOLANT DURING OPERATION. THIS LEVEL IS MEASURED WITH COOLANT AT ROOM TEMPERATURE TO ALLOW EXPANSION VOLUME OF COOLANT UNDER OPERATION CONDITIONS. EXTREME CARE MUST BE TAKEN IN FILLING COOLING SYSTEM TO PREVENT DAMAGE TO CAR FINISH.

NOTE: COOLING SYSTEM OPERATION CAPACITY (COOLANT AT ROOM TEMPERATURE) FILLED TO "FILL COLD" MARK.

ONE (1) ADDITIONAL QUART OF UNDILUTED ETHYLENE GLYCOL COOLANT WHICH MEETS SPECIFICATION #9985012 IS TO BE ADDED TO THE RADIATOR PRIOR TO NORMAL FILL AND WILL PROVIDE A 50% SOLUTION FOR ALL CANADIAN EXPORT CARS.

APPROVED SOURCES AND MATERIALS

WYANDOTTE CHEMICAL	SINGLE PHASE U-2407-CW
UNION CARBIDE	G300
JEFFERSON CHEMICAL	JC57
DUPONT	M29
OLIN-MATHIESON	OM-91D
DOW CHEMICAL	D-566-100
WYANDOTTE	U-3034 CW
DOW CHEMICAL	725
MINERAL INDUSTRIES, INC.	#101
HOUSTON CHEMICAL CORP.	#700-8C-20

RADIATOR FILL REQUIREMENTS:

- ETHYLENE GLYCOL TWO YEAR COOLANT MEETING SPECIFICATION #9985012 MANDATORY IN ALL SERIES YEAR AROUND TO PROVIDE AN INHIBITED COOLANT IN THE AMOUNTS TABULATED.
- SOLUBLE OIL MEETING SPECIFICATION OF #9985017 TO BE ADDED TO ALL SERIES IN FOLLOWING QUANTITY:
2.00 ± .25 OZ. PER CAR OR .29 GAL. PER 100 GAL. OF COOLANT.
- ANTI FOAM ADDITIVE, SPECIFICATION #9985147 TO BE ADDED TO ALL MODELS WITH AIR CONDITIONING IN THE FOLLOWING QUANTITY 2.00 OZ. PER CAR.
- #9985168 SEALER TO BE ADDED TO COOLING SYSTEM (2 PELLETS PER CAR) IN ALL SERIES.

PRODUCTION SAMPLE TO BE TESTED AND APPROVED BY PRODUCT ENGINEERING FOR OLDSMOBILE PARTS.

DATE	SYM	REVISION	DR.	CK.	DATE	SYM	REVISION	DR.	CK.	DATE	SYM	REVISION	DR.	CK.	APPR.				
TITLE																			
CHART - COOLING SYSTEM FILL																			
DATE JAN 15 1968												FIRST USED		1969					
DR. BY B SCHMIDT												OLDSMOBILE PRODUCT		INFORMATION MANUAL		MANUAL SEC. 11		PAGE 100	
CHECKED J. P. ...												REF.		SERIES B-C		PART NO. 402967			
APPR.																			

OLDSMOBILE DIVISION

GENERAL MOTORS CORPORATION
LANSING -- MICHIGAN

P. CARROLL, INC. 49125

1969 RADIATOR USAGE									
MODEL	Y72	V01	C60 & L31	C60	V02	M40	M38	M31	STD.
3100, 3500	FE 3014745	--	--	S8 3014619	--	--	--	S1 3014744	SH 3014743
32, 36 4200	ED 3017108	EC 3017107	--	FE 3014745	FE 3014745	--	FB 3014748	FB 3014748	FD 3014740
4400	ED 3017108	EC 3017107	--	EC 3017107	FE 3014745	FB 3014748	--	--	FA 3014742
4800	ED 3017108	--	EC 3017107	FE 3014745	--	FB 3014748	--	--	FD 3014740

MODEL	Y72	C60, C61 & L30, L31	C60, C61	ⓔ	M40 & L30, L31	M40	M31	STD.
ⓓ 5400	LA 3014648	OR 3017166	OU 3020543		OA 3016833	OT 3018248	OT 3018248	OD 3014644
6400, 6600	LA 3014648	--	OR 3017166		--	OA 3016833	--	OD 3014644
8400, 8600	LA 3014648	--	OR 3017166		--	--	--	OA 3016833
9860	LA 3014648	--	--		--	--	--	--
9400, 9600	WF 3017184	--	WF 3017184		--	--	--	WA 3014913

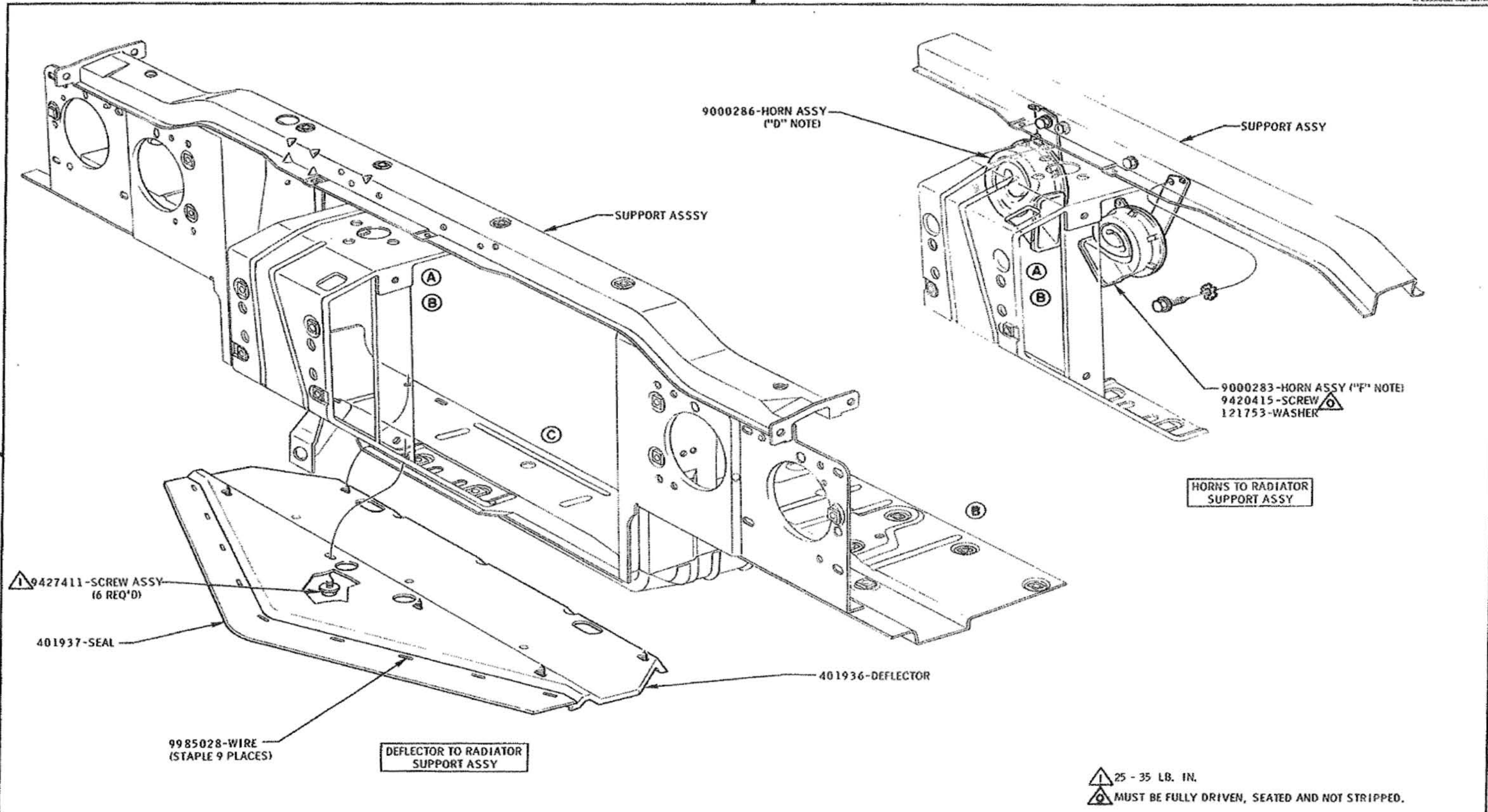
VO1 MANDATORY WHENEVER 3.91 OR 4.33 AXLE RATIO IS USED. NOT AVAILABLE WITH C60 OR Y72.
VO2 MANDATORY WHENEVER 3.42 AXLE RATIO IS USED. NOT AVAILABLE WITH C60 OR Y72.
SEE AXLE RATIO USAGE CHART FOR AVAILABILITY.

- C60 - AIR CONDITIONING
- C61 - AIR CONDITIONING - AUTOMATIC CONTROLS
- L30 - 455 CUBIC INCH V-8 LOW COMPRESSION 2 BBL.
- L31 - 400 CUBIC INCH V-8 HIGH COMPRESSION 4 BBL (F85)
- L31 - 455 CUBIC INCH V-8 HIGH COMPRESSION 4 BBL (REG. CAR)
- M31 - 2-SPEED JETAWAY TRANSMISSION
- M38 - 3-SPEED CBC AUTOMATIC TRANSMISSION
- M40 - 3-SPEED TURBO-HYDRAMATIC TRANSMISSION
- M41 - 3-SPEED TURBO-HYDRAMATIC TRANSMISSION WITH 455 CU. IN. ENGINE
- V01 - HEAVY DUTY RADIATOR - 2.70 INCH CORE
- V02 - HEAVY DUTY RADIATOR - 2.00 INCH CORE
- Y72 - HEAVY DUTY ENGINE COOLING

TO READ CHART:

READING CHART FROM LEFT TO RIGHT, THE FIRST OPTION REACHED THAT IS COMPLETELY SATISFIED WILL INDICATE THE RADIATOR TO BE USED ON THAT MODEL. IF NONE OF THE CONDITIONS ABOVE ARE SATISFIED, THE LAST COLUMN IS STANDARD CAR (LESS ALL OPTIONS SHOWN TO THE LEFT OF IT) AND WILL INDICATE THE RADIATOR TO BE USED.

										TITLE CHART - RADIATOR IDENTIFICATION DATE DEC. 11, 1969 DR. BY K. J. JAMES CHECKED J. JAMES APPR.									
										FIRST USED 1969 REF.									
										OLDSMOBILE PRODUCT INFORMATION MANUAL MANUAL SEC. 11 PAGE 108 SERIES A B C E PART NO. 401900-1-2									



DATE	SYM	REVISION	DR.	CK.	DATE	SYM	REVISION	DR.	CK.	DATE	SYM	REVISION	DR.	CK.	TITLE	FIRST USED	OLDSMOBILE PRODUCT INFORMATION MANUAL	MANUAL SEC.	PAGE	PART NO.
															AIR DEFLECTOR - HORNS	1969		11	111	401901
					7-26-68	C	LOWER SUPPT. REVISED								DATE JAN. 18, 1968					
					6-18-68	B	BACKGROUND REVISED								DR. BY C. WINGFIELD					
					3-19-68	A	REVISED TO DETAIL	PL							CHECKED <i>[Signature]</i>	REF. 12C	SERIES B-C			
															APPR. <i>[Signature]</i>	13C				

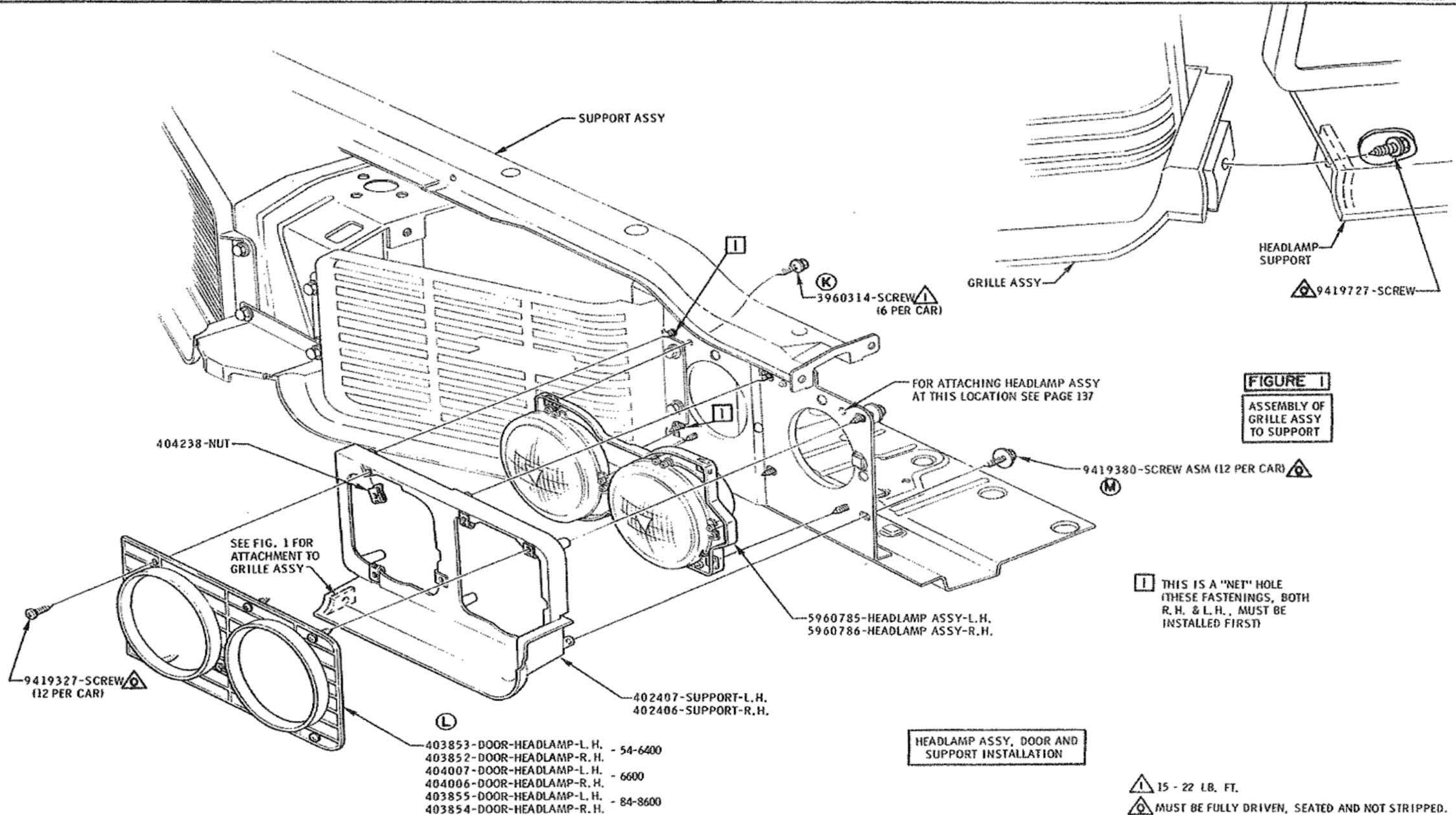


FIGURE 1
ASSEMBLY OF
GRILLE ASSY
TO SUPPORT

I THIS IS A "NET" HOLE
(THESE FASTENINGS, BOTH
R. H. & L. H., MUST BE
INSTALLED FIRST)

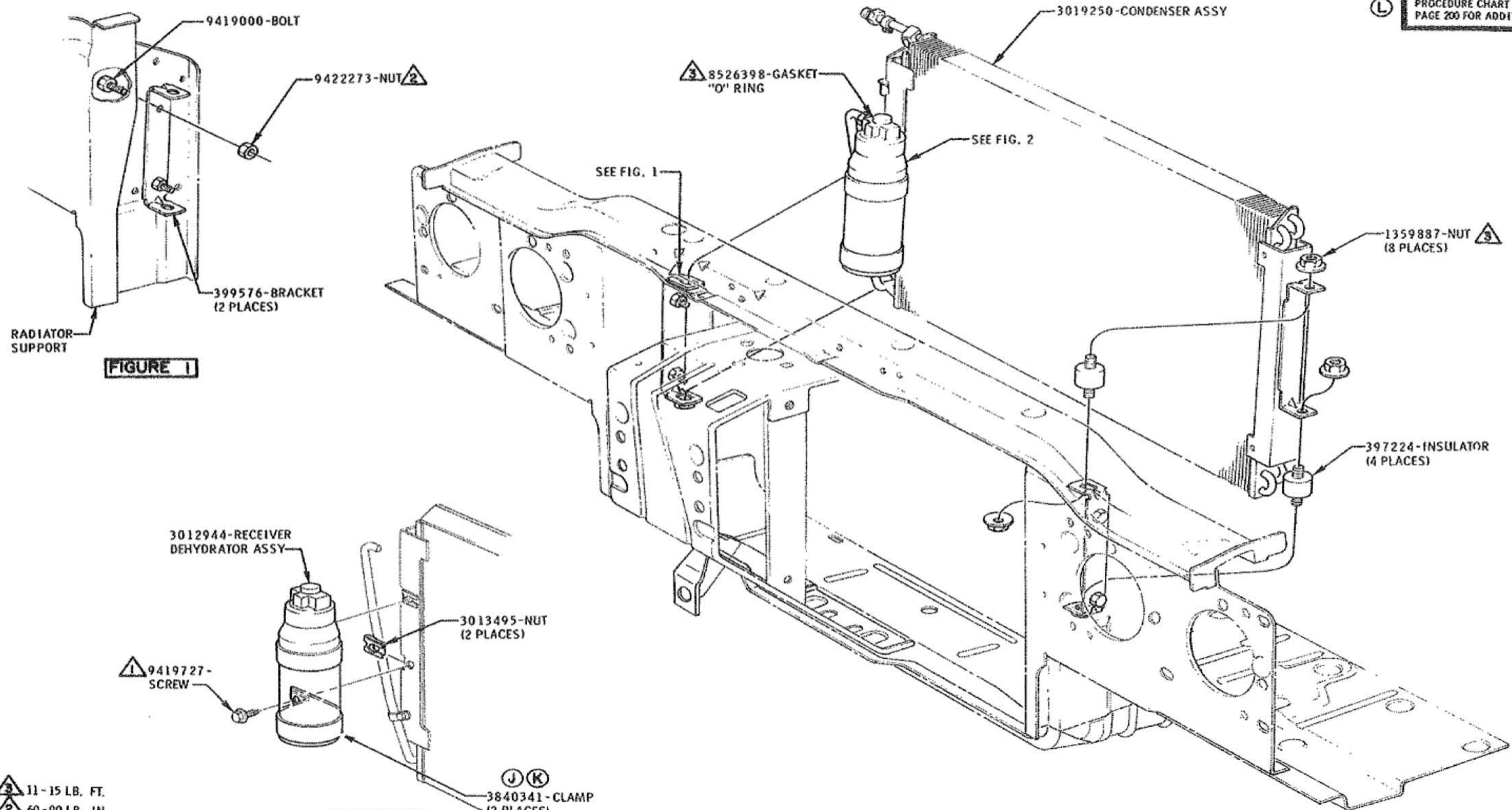
**HEADLAMP ASSY, DOOR AND
SUPPORT INSTALLATION**

I 15 - 22 LB. FT.
△ MUST BE FULLY DRIVEN, SEATED AND NOT STRIPPED.

- 403853 - DOOR-HEADLAMP-L. H. - 54-6400
- 403852 - DOOR-HEADLAMP-R. H. - 54-6400
- 404007 - DOOR-HEADLAMP-L. H. - 6600
- 404006 - DOOR-HEADLAMP-R. H. - 6600
- 403855 - DOOR-HEADLAMP-L. H. - 84-8600
- 403854 - DOOR-HEADLAMP-R. H. - 84-8600

DATE	SYM	REVISION	DR.	CK.	DATE	SYM	REVISION	DR.	CK.	DATE	SYM	REVISION	DR.	CK.	DATE	SYM	REVISION	DR.	CK.	TITLE	FIRST USED	OLDSMOBILE PRODUCT INFORMATION MANUAL	MANUAL SEC.	PAGE
					8/14/68	K	WAS 9780422 SCREW	WM	DT	6-25-68	E	391355 NUT REMOVED	DT							HEADLAMP ASSEMBLY - HEADLAMP DOOR - SUPPORT				
					8-15-68	J	WAS 9419727 - SCREW	PL	DT	6-25-68	D	WAS 2ND TYPE SCREW	DT							DATE JAN. 17, 1968	FIRST USED 1969	OLDSMOBILE PRODUCT INFORMATION MANUAL	11	113
					7-29-68	H	WAS 9422037 - SCREW	PL	DT	4-24-68	C	TORQUE SYMBOL ADDED	PL	DT						DR. BY D. C. HINERMAN				
4-25-69	M	WAS 9427411 - SCREW	DT		6-25-68	G	WAS 445458 NUT	DT		3-26-68	B	SUPR. FASTENING REV.	PL	DT					CHECKED					
10-30-68	L	FIRST TYPE REMOVED	DT		6-25-68	F	WAS 9780422 - SCREW	DT		3-6-68	A	NOTE ADDED	PL	DT					APPR.					
																				REF.	SERIES B-C	PART NO.	401901	

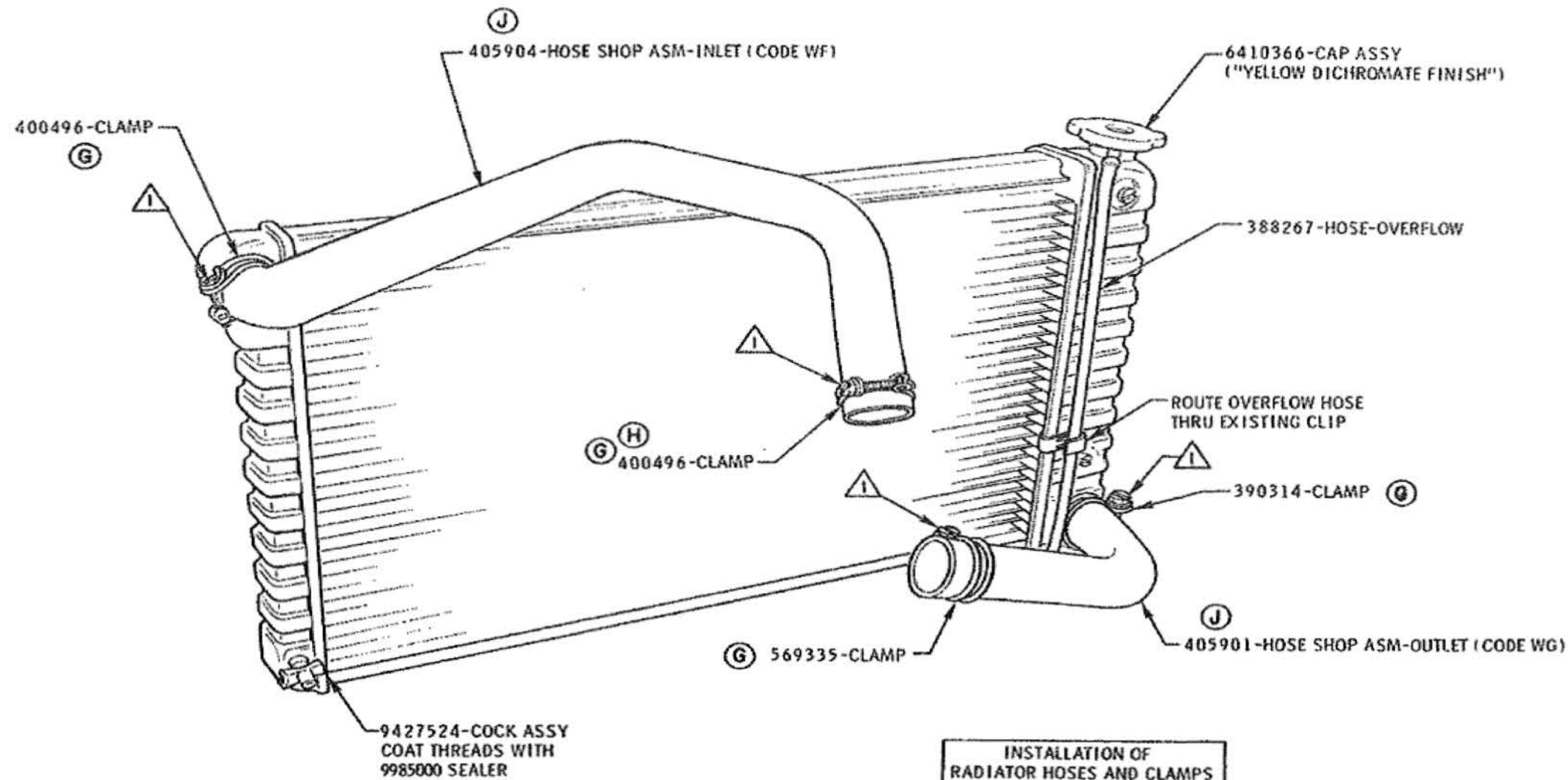
REFER TO AIR CONDITIONING PROCEDURE CHART SECTION O PAGE 200 FOR ADDITIONAL DATA



- 3 11-15 LB. FT.
- 2 60-90 LB. IN.
- 1 25-35 LB. IN.

FIGURE 2

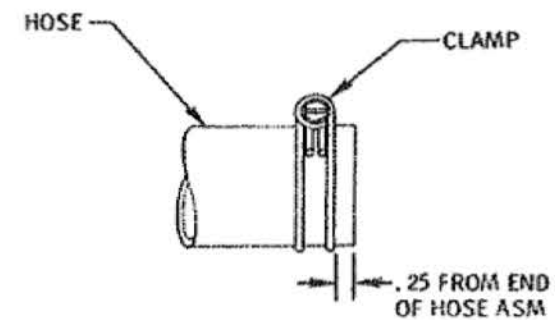
DATE	SYM	REVISION	DR.	CK.	DATE	SYM	REVISION	DR.	CK.	DATE	SYM	REVISION	DR.	CK.	DATE	SYM	REVISION	TITLE	FIRST USED	OLDSMOBILE PRODUCT INFORMATION MANUAL	MANUAL SEC.	PAGE			
					12-6-68	K	WAS 405025-CLAMP	PL	DT	6-27-68	S	FASTENINGS REVISED	DT					CONDENSER AND SUPPORTS - RECEIVER DEHYDRATOR							
					11-20-68	J	WAS 3840341-CLAMP	PL	DT	6-21-68	D	WAS 3014215-CONDENSER	DT						DATE	1969		11	115		
					9-6-68	H	WAS 9419565-BOLT	N	DT	6-21-68	C	TORQUE REVISED	DT						DR. BY	JOSEPH V GALL					
					9-4-68	G	TORQUE RELEASED	N	DT	6-21-68	B	BACKGROUND REVISED	DT						CHECKED						
1-30-69	L	NOTE ADDED	DT		7-24-68	F	LOWER SUPT REVISED	DT		3-19-68	A	REVISED TO DETAIL	PL	DT				APPR.	Schaffner	REF.	35C60161	SERIES	B-C	PART NO.	401901
																		APPR.	5/26-1/22/69						



- COOLING SYSTEM PRESSURE CHECK
1. INSTALL COOLING SYSTEM TEST FIXTURE TO RADIATOR FILL NECK UNTIL FULLY SEATED (REFERENCE GMAD TOOL #69C-1212)
 2. OPEN RIGHT CHARGE VALVE AND PRESSURIZE SYSTEM TO 18 PSI. NOTE: ADJUST AIR SUPPLY TO PREVENT EXCEEDING 20 PSI.
 3. OBSERVE COOLING SYSTEM FOR HOSE "BLOW OFF"
 4. INSTALL RADIATOR CAP ON TOP OF TEST FIXTURE UNTIL FULLY SEATED.
 5. OPEN LEFT CHARGE VALVE AND PRESSURIZE CAP TO 18 PSI. CAP MUST "POP OFF".
 6. CLOSE LEFT CHARGE VALVE AND CAP PRESSURE MUST LEVEL OFF TO 13.9-17.0 PSI.
 7. OBSERVE STATIC NEEDLE ON BOTH GAGES FOR A MINIMUM OF 10 SECONDS.
 8. RELEASE SYSTEM PRESSURE BEFORE REMOVING FIXTURE.
 9. REMOVE FIXTURE AND REINSTALL CAP ON RADIATOR FILL NECK UNTIL FULLY SEATED.

ADD 2 PELLETS OF 9985168-SEALER
 IN RADIATOR.

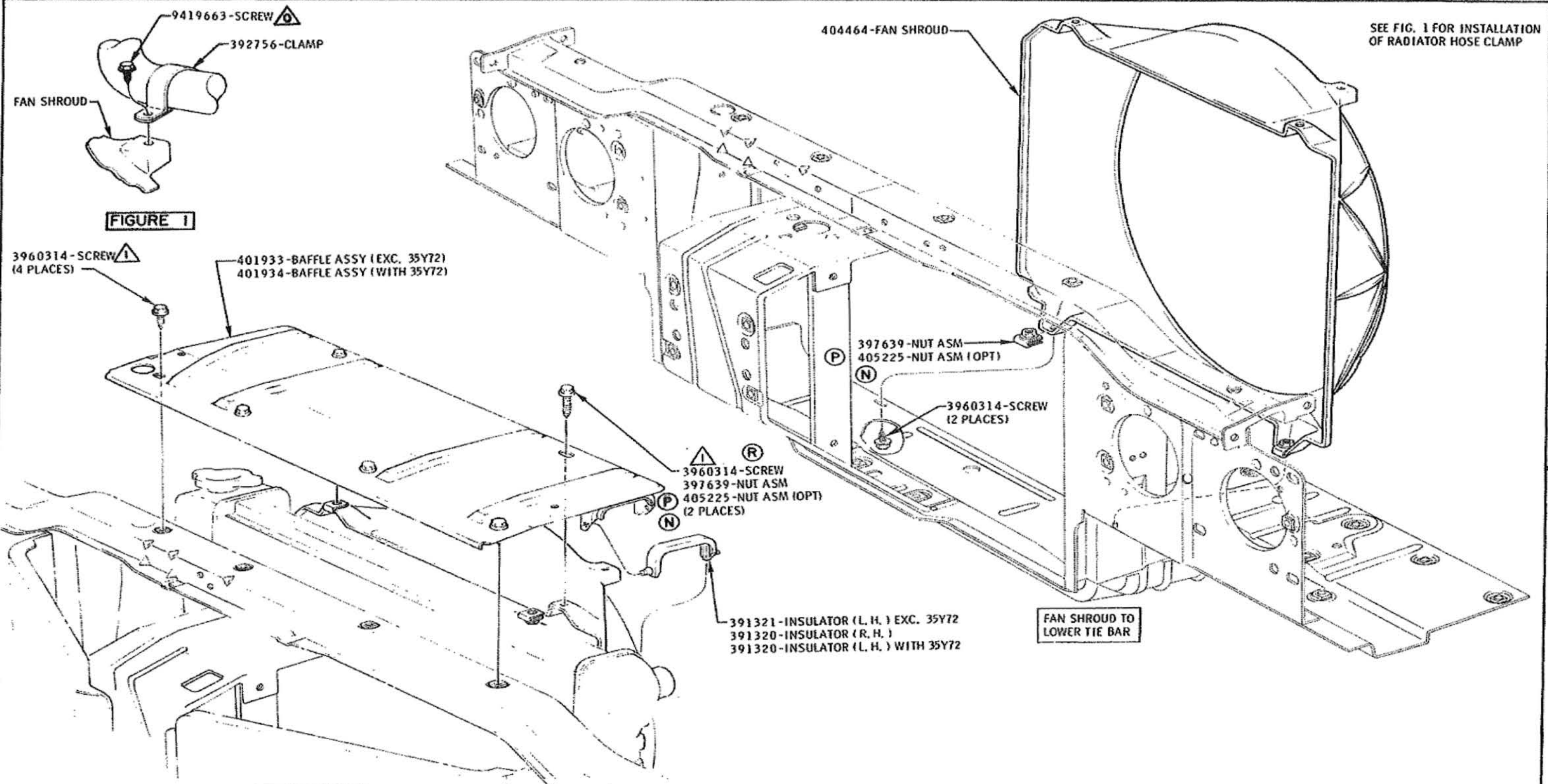
I 18 - 26 LB. IN.



(TYPICAL CLAMP POSITION)

FIGURE 1

						11-1-68	E	CLAMP REPOSITIONED	V ₆	DT	TITLE	RADIATOR PARTS AND HOSES					
		2-21-69	J	HOSE NO. REVISED	V ₆	DT	10-1-68	D	NOTE REVISED & RELOCATED	V ₆	DT	DATE	FIRST USED	OLDSMOBILE PRODUCT	MANUAL SEC.	PAGE	
		2-28-69	H	PART NO. ADDED	V ₆	DT	3-29-68	C	NOTE REVISED	DT		JAN. 17, 1968	1969	INFORMATION MANUAL	11	116	
		1-22-69	G	NOTES ADDED	V ₆	DT	3-18-68	B	NOTE REVISED	DT	CHECKED						
		1-22-69	F	VIEW ADDED	V ₆	DT	2-21-68	A	NOTE ADDED	DT	APPR.			SERIES	PART		
DATE	SYM	REVISION	DR.	CK.	DATE	SYM	REVISION	DR.	CK.	DATE	SYM	REVISION	DR.	CK.	APPH.		
														B-C	NO.	401901	
											REF.	6K2					
												13A					
											APPH. SCHATTENBERG						
											GMC 1/22/68						

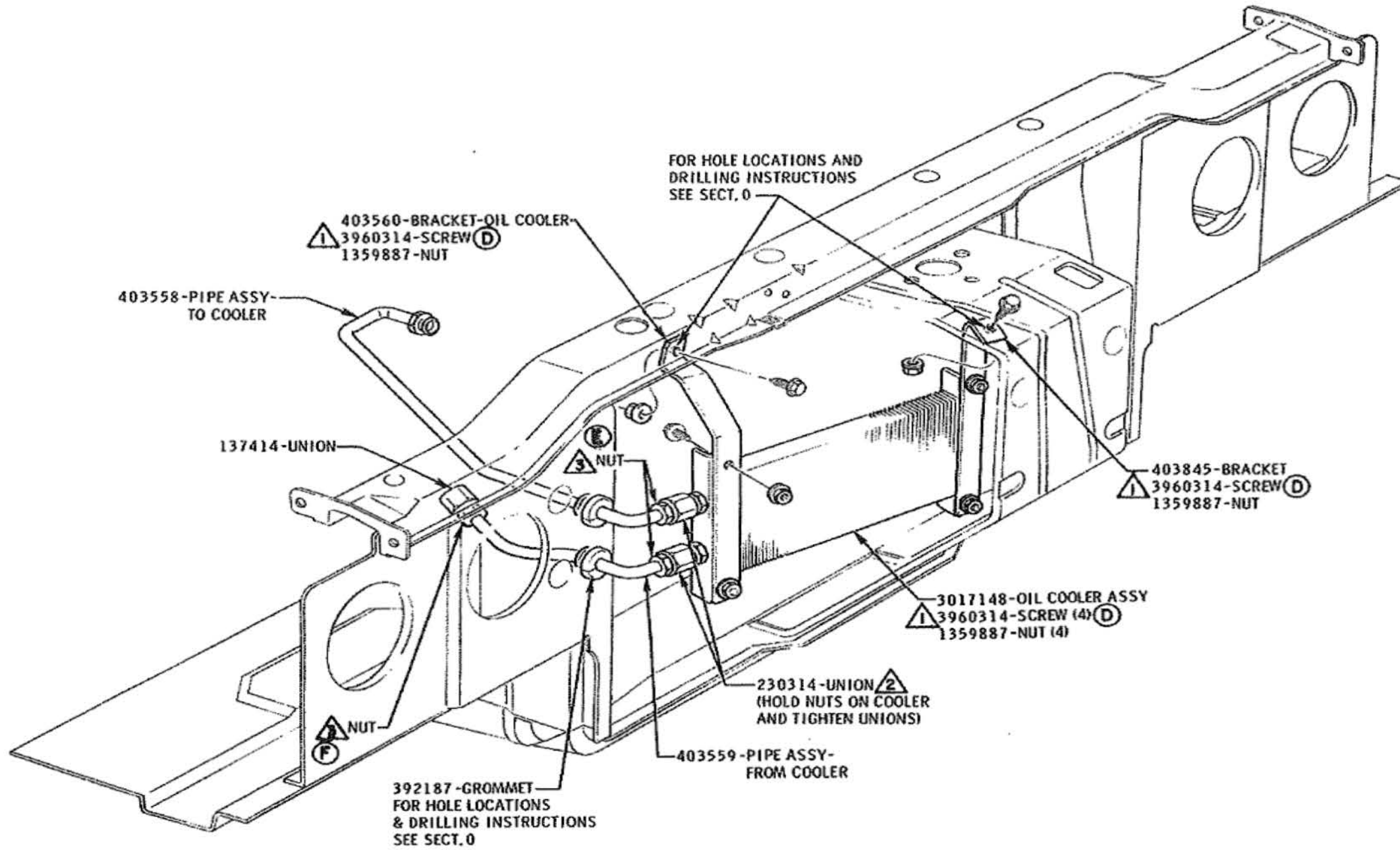


UPPER BAFFLE & FAN SHROUD TO UPPER TIE BAR

FAN SHROUD TO LOWER TIE BAR

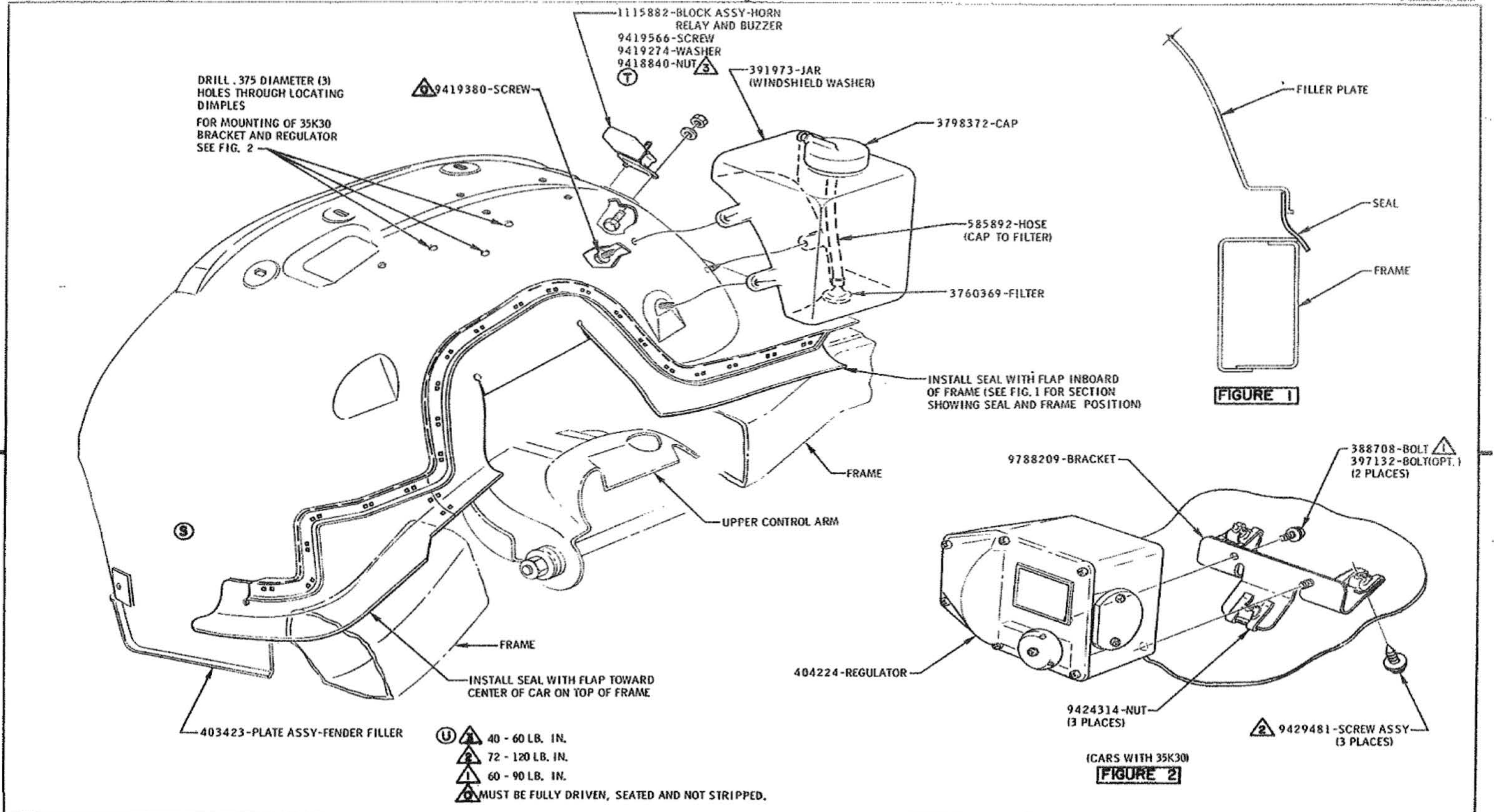
△ 15-22 LB. FT.
 ○ MUST BE FULLY DRIVEN, SEATED AND NOT STRIPPED

DATE	SYM	REVISION	DR.	CK.	DATE	SYM	REVISION	DR.	CK.	DATE	SYM	REVISION	DR.	CK.	DATE	SYM	REVISION	TITLE	FIRST USED	OLDSMOBILE PRODUCT INFORMATION MANUAL	MANUAL SEC.	PAGE
4-25-69	R	WAS 404638-SCREW	DT		9-23-68	K	WAS 402065-SHROUD	DT		6-25-68	E	REVISED TO DETAIL	DT					RADIATOR SHROUD & BAFFLE				
4-7-69	P ₂	OPTIONAL NUT USAGE REV'D	DT		8/26/68	J	WAS 9780422	DT		6-25-68	D	BACKGROUND REVISED	DT					DATE JAN. 18, 1968	FIRST USED	1969	11	118
1-2-69	N ₂	GMAD OPTION ADDED	DT		8-8-68	H	CLAMP & SCREW REMOVED	DT		5-29-68	C	WAS 9780422-SCREW	DT					DR. BY JOSEPH Y. GALL				
9-25-68	M	WAS 403833-SCREW	DT		7-26-68	G	LOWER SLIP REVISED	DT		3-19-68	B ₂	REVISED TO DETAIL	DT					CHECKED				
9-23-68	L	CLAMP & SCREW ADDED	DT		6-25-68	F	9424837-NUT REMOVED	DT		2-19-68	A ₂	WAS 391359-NUT ASSY.	DT					APPR. <i>Shelton</i>	REF. 138 135 6K2 97-14	SERIES B-C	PART NO.	401901
																		APPR. <i>SMC</i>				



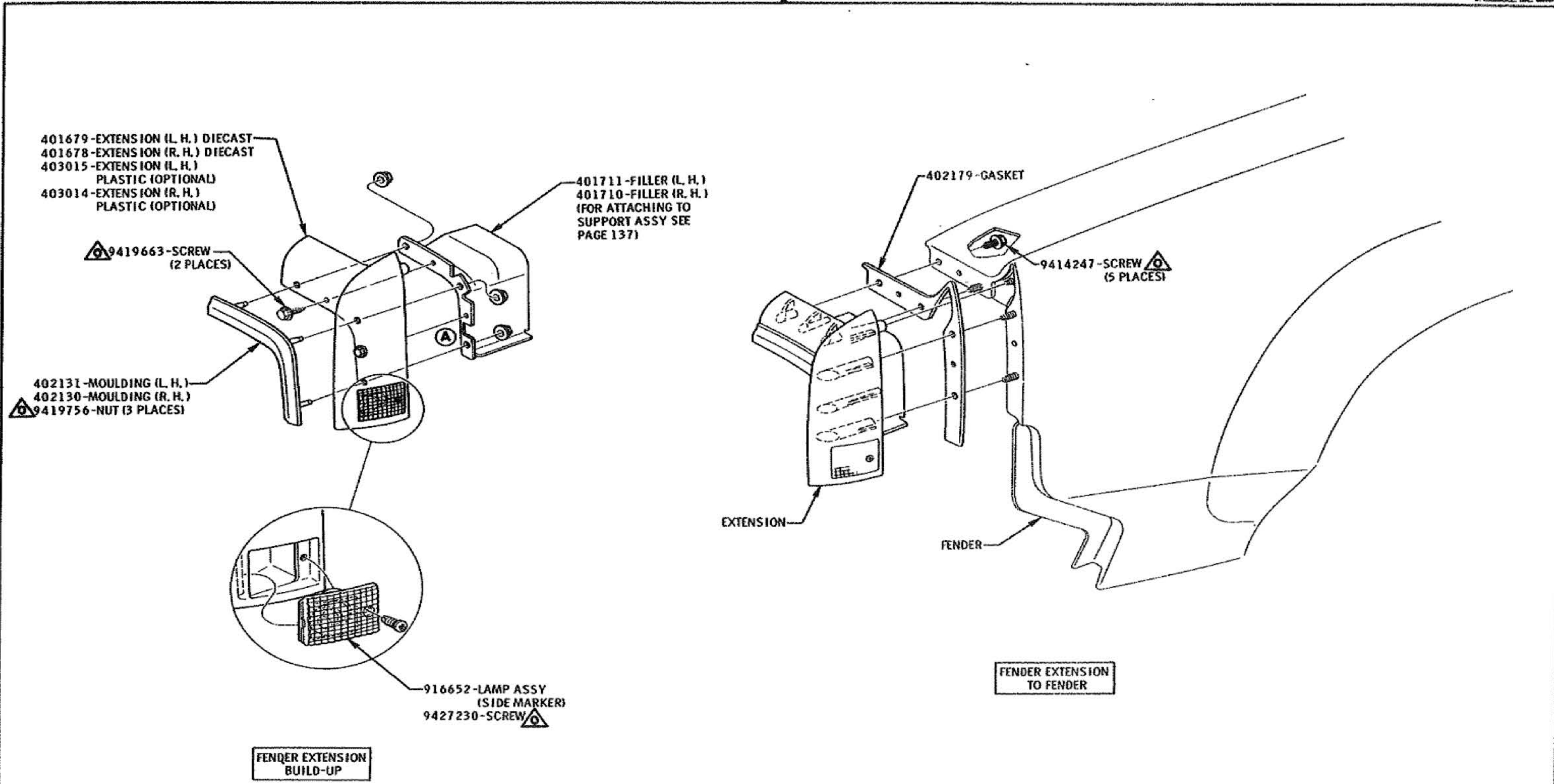
- 3 15 - 25 LB. FT.
- 2 25 - 30 LB. FT.
- 1 15 - 22 LB. FT.

DATE	SYM	REVISION	DR.	CK.	DATE	SYM	REVISION	DR.	CK.	DATE	SYM	REVISION	DR.	CK.	TITLE	FIRST USED	OLDSMOBILE PRODUCT INFORMATION MANUAL	MANUAL SEC.	PAGE	PART NO.	
					10-10-68	F	TORQUE ADDED	JV	DT	3-19-68	A	REVISED TO DETAIL	PL	DT	AUXILIARY OIL COOLER-AUTOMATIC TRANSMISSION	1969		11	121	401901	
					10-10-68	E	TORQUE REVISED	JV	DT												
					8/26/68	D	WAS 9780422	WAF	DT						DATE FEB. 28, 1968						
					1-25-68	C	REVISED TO DETAIL	JV	DT						DR. BY D. C. H. M. B. L. V. G.						
					1-25-68	B	WAS 400460-BRACKET	JV	DT						CHECKED J. J. J.						
															APPR. F. ROZNOWSKI	REF. 35 N 55	SERIES B-C				
															APPR. J. J. J. 3/1/68						



L.H. FILLER PLATE COMPONENT PARTS												
DATE	SYM	REVISION	DR.	CK.	DATE	SYM	REVISION	DR.	CK.	DATE	SYM	REVISION
					12-16-68	U	TORQUE ADDED					
					12-6-68	T	WAS 9419143-NUT					
					12-6-68	S	9792217-CLIP REMOVED					
					10-10-68	R	SEAL TRIM REVISED					

TITLE	L.H. FILLER PLATE COMPONENT PARTS	
DATE	12-16-68	FIRST USED
DR. BY	D. C. HINEBALM	1969
CHECKED		REMED 11E
APPR.		SERIES
		B-C
		PART NO.
		401901
		MANUAL SEC.
		11
		PAGE
		125



⚠ MUST BE FULLY DRIVEN, SEATED AND NOT STRIPPED.

TITLE										FENDER EXTENSION-SIDE MARKER LAMP									
DATE					JAN. 19, 1968					FIRST USED		1969		OLDSMOBILE PRODUCT		MANUAL SEC.		PAGE	
DR. BY					G. H. MEDALL									11		135			
CHECKED					<i>T. J. Jones</i>					REF.		SERIES		PART NO.		401901			
APPR.					<i>V. Harris</i>							B-C							
APPR.					SK 1/22/69														
DATE	SYM	REVISION	DR.	CK.	DATE	SYM	REVISION	DR.	CK.	DATE	SYM	REVISION	DR.	CK.	DATE	SYM	REVISION	DR.	CK.
							8-8-69 A					NOTCH ADDED							

⚠ MUST BE FULLY DRIVEN, SEATED BUT NOT STRIPPED

⚠ 15 - 22 LB. FT.

400250-BUMPER-HOOD SIDE
APPLY 9985008 LUBRICANT
TO HOOD BUMPERS

SEE FENDER IDENTIFICATION
CHART FOR FENDER PART NO'S.

404230-MOULDING-REAR-R. H.
404231-MOULDING-REAR-L. H.
404232-SEAL-FENDER REAR-R. H.
404233-SEAL-FENDER REAR-L. H.

Ⓜ 9419751-NUT ⚠

SEE PAGE 125 - 127 FOR
FILLER PLATE PART NO'S

⚠ 3960314-SCREW
3770531-WASHER

FOR TYPICAL FASTENING
SEE FIGURE 1

SEE FIGURE 2 FOR FASTENING
AT THIS LOCATION

FILLER PLATE FENDER

FILLER PLATE FENDER

⚠ 3960314-SCREW

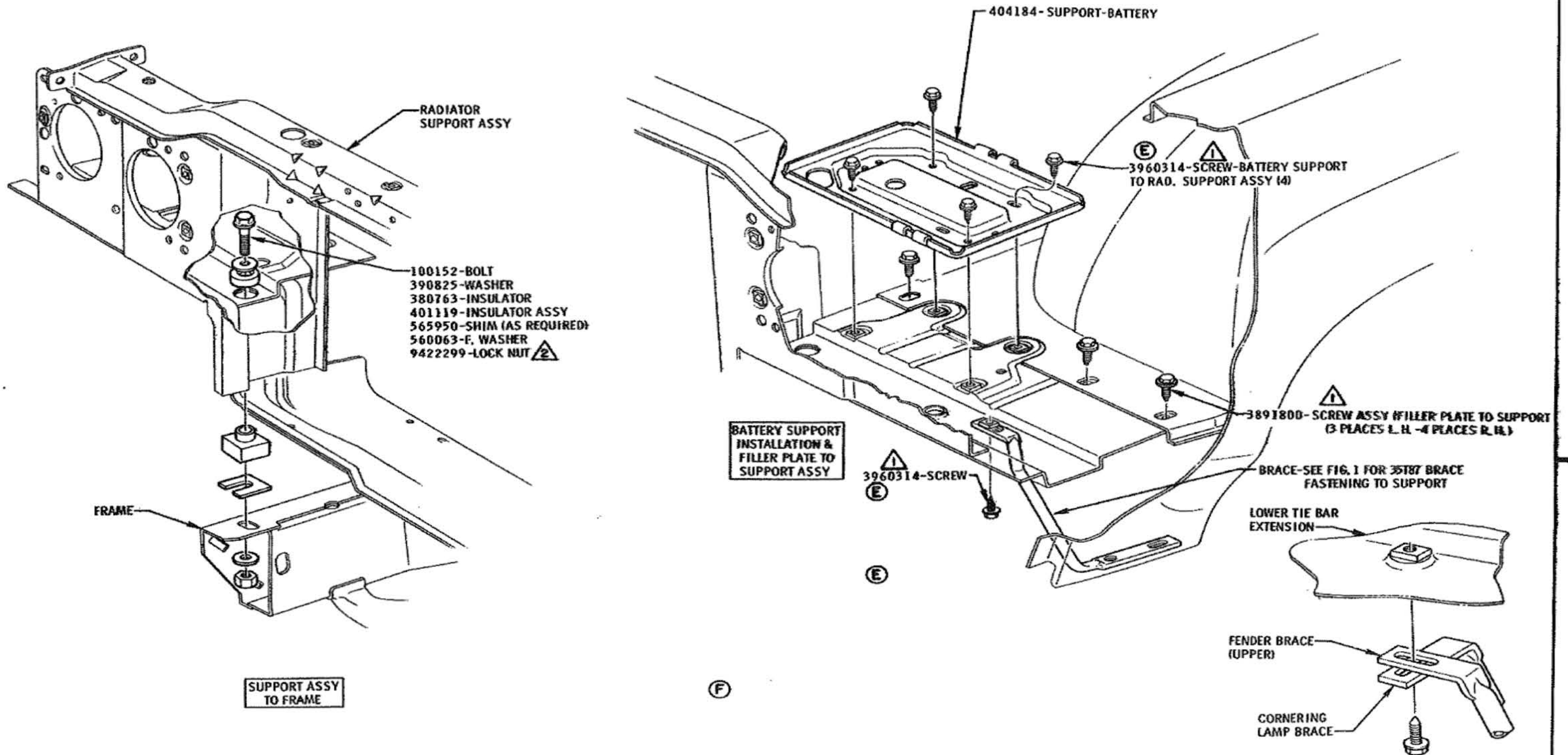
Ⓚ 397639-NUT ASM
Ⓝ 405225-NUT ASM (OPT)

⚠ 3960314-SCREW
3770531-WASHER

FIGURE 2

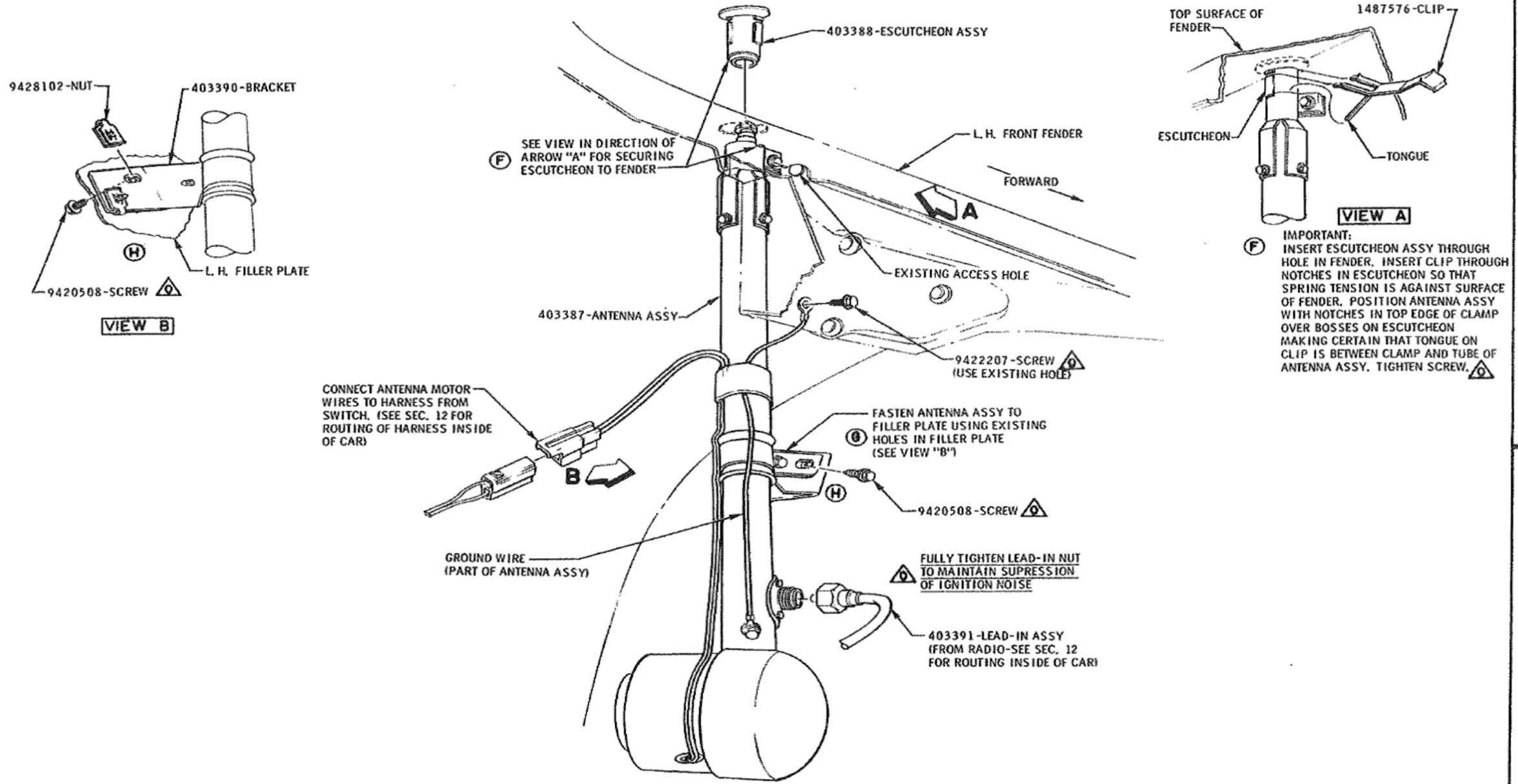
FIGURE 1

DATE	SYM	REVISION	DR.	CK.	DATE	SYM	REVISION	DR.	CK.	DATE	SYM	REVISION	DR.	CK.	TITLE	FIRST USED	OLDSMOBILE PRODUCT INFORMATION MANUAL	MANUAL SEC.	PAGE
		4-7-69	K				405225 - OPTIONAL NUT ADD	VJ	DT	2/26/68	E ₂	WAS 9780422	WAS	DT	TITLE				
		1-10-69	J				FIG. 1 FASTENING REVISED	DT	DT	7-17-68	D	WAS 9419751-NUT	DT	DT	DATE JAN. 20, 1969	FIRST USED	OLDSMOBILE PRODUCT	MANUAL SEC.	PAGE
		1-10-69	H				WAS 3420184-NUT	DT	DT	6-28-68	C	WAS 401920/1 M.L.D.S.	DT	DT	DR. BY D. C. H. MERRILL	1969	INFORMATION MANUAL	11	136
		9-19-68	G				TORQUE WAS 10-15 LB. IN.	VJ	DT	2-18-68	B	PART NO'S REMOVED	DT	DT	CHECKED <i>JPM</i>	REF. 11	SERIES	PART NO.	
		9-19-68	F				TORQUE SYMBOL REVISED	VJ	DT	1-24-68	A	WAS 400251-BUMPER	DT	DT	APPR. <i>J. HARRIS</i>		B-C	401901	
															APPR. <i>SMC</i> 1/23/68				



⚠ 2 30 - 45 LB. FT.
⚠ 1 15 - 22 LB. FT.

								8/26/68	E3	WAS 9780422					TITLE	SUPPORT ASSY TO FRAME - BATTERY SUPPORT TO LOWER SUPPORT			
								6-26-68	D	VIEW ADDED					DATE	JAN. 20, 1968	FIRST USED	1969	
								6-26-68	C	WAS 398286-SUPPORT					DR. BY	D. C. HINES/DAV	OLDSMOBILE PRODUCT INFORMATION MANUAL	MANUAL SEC. 11	PAGE 138
								6-26-68	B	WAS 396738-INSULATOR					CHECKED		REF. 12 B	SERIES B-C	PART NO. 401901
								9-23-68	F	VIEW REMOVED					APPR.		11E, T87		
DATE	SYM	REVISION	DR.	CK.	DATE	SYM	REVISION	DR.	CK.	DATE	SYM	REVISION	DR.	CK.	APPR.				



VIEW A

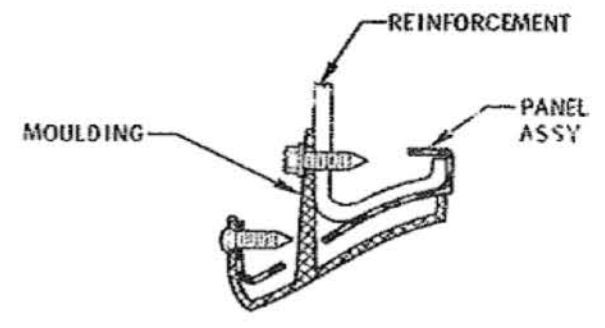
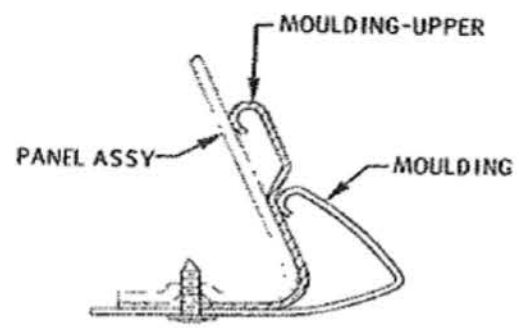
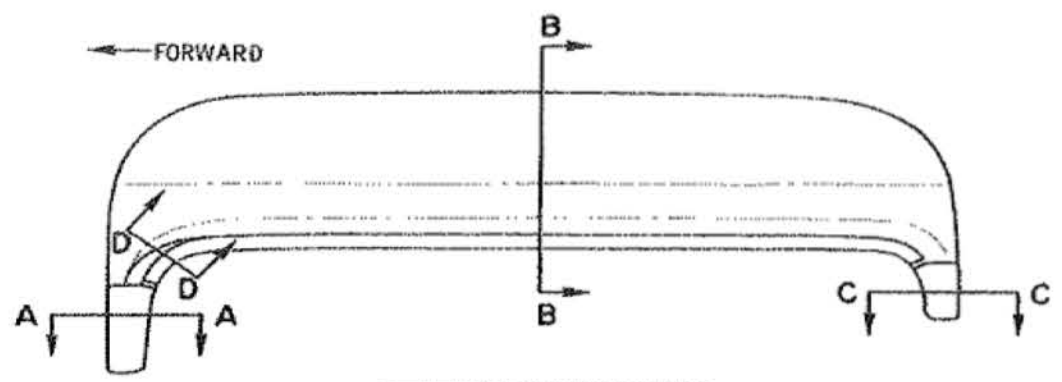
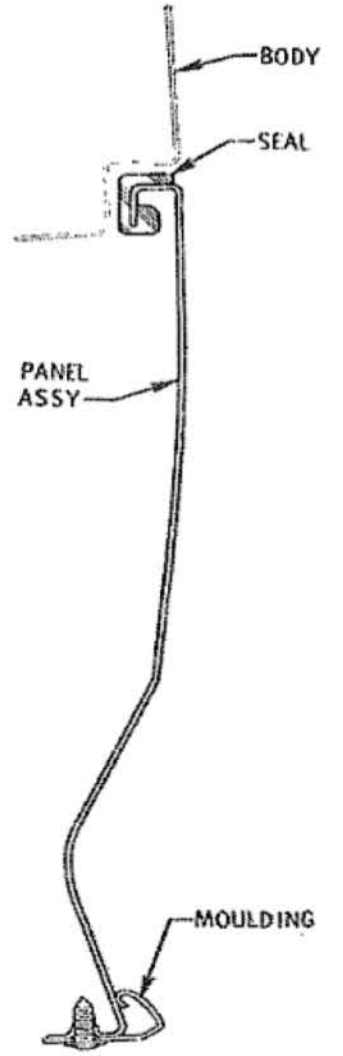
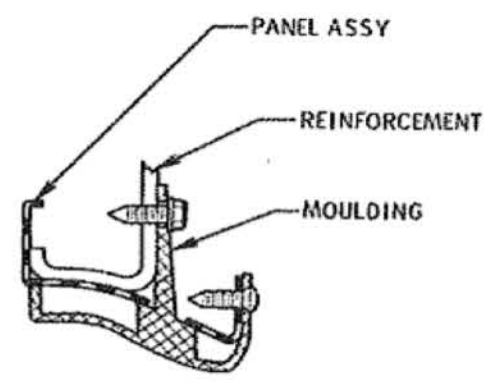
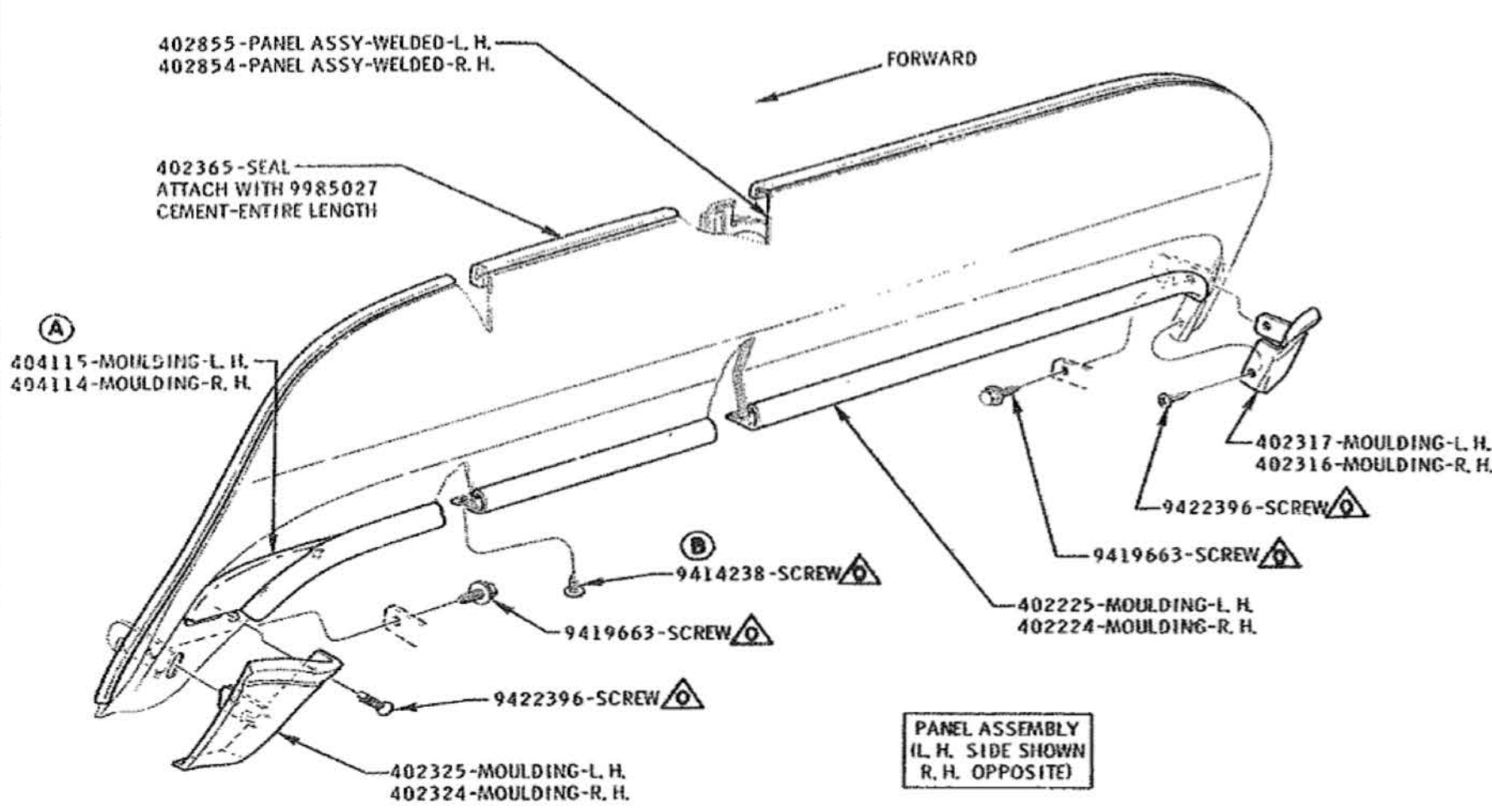
F IMPORTANT: INSERT ESCUTCHEON ASSY THROUGH HOLE IN FENDER. INSERT CLIP THROUGH NOTCHES IN ESCUTCHEON SO THAT SPRING TENSION IS AGAINST SURFACE OF FENDER. POSITION ANTENNA ASSY WITH NOTCHES IN TOP EDGE OF CLAMP OVER BOSSES ON ESCUTCHEON MAKING CERTAIN THAT TONGUE ON CLIP IS BETWEEN CLAMP AND TUBE OF ANTENNA ASSY. TIGHTEN SCREW.

CONNECT ANTENNA MOTOR WIRES TO HARNESS FROM SWITCH. (SEE SEC. 12 FOR ROUTING OF HARNESS INSIDE OF CAR)

FULLY TIGHTEN LEAD-IN NUT TO MAINTAIN SUPPRESSION OF IGNITION NOISE

△ MUST BE FULLY DRIVEN, SEATED BUT NOT STRIPPED

DATE	SYM	REVISION	DR.	CK.	DATE	SYM	REVISION	DR.	CK.	DATE	SYM	REVISION	DR.	CK.	DATE	SYM	REVISION	DR.	CK.	TITLE	FIRST USED	OLDSMOBILE PRODUCT INFORMATION MANUAL	MANUAL SEC.	PAGE	SERIES	PART NO.
					8-1-68	E	WAS 403389 - CLIP	SP	DT												ELECTRIC ANTENNA (L. H. FRONT FENDER)	1969	11	140	B-C	401901
					8-1-68	D	GROUND WIRE ROUTING- RE 1	SP	DT												DATE MAR 29 1968					
					6-3-68	C	NOTE ADDED	SP	DT												DR. BY R. PARKER					
					6-3-68	B	SCREW & DRILLING INFO. ADDED	SP	DT												CHECKED JES					
					6-3-68	A	LEAD IN EMERGENCY CONN. ADDED	SP	DT												APPR. JES	REF. 35071				



⚠ MUST BE FULLY DRIVEN, SEATED AND NOT STRIPPED.

(84 - 3600)

TITLE													WHEEL OPENING PANEL ASSEMBLY									
DATE	SYM	REVISION	DR.	CK.	DATE	SYM	REVISION	DR.	CK.	DATE	SYM	REVISION	DATE	JAN 25 1968	FIRST USED	1969	OLDSMOBILE PRODUCT INFORMATION MANUAL	MANUAL SEC.	11	PAGE	160	
							9-6-68 B WAS 588546-SCREW							DR. BY D. C. W. MERRILL	REF. 1A2							
							6-3-68 A MOULDING ADDED							CHECKED								
														APPR. P. H. [signature]			SERIES	B-C	PART NO.	401901		
														DR. CK.	APPR. S. W. [signature]							

⚠ 15 - 22 LB. FT.

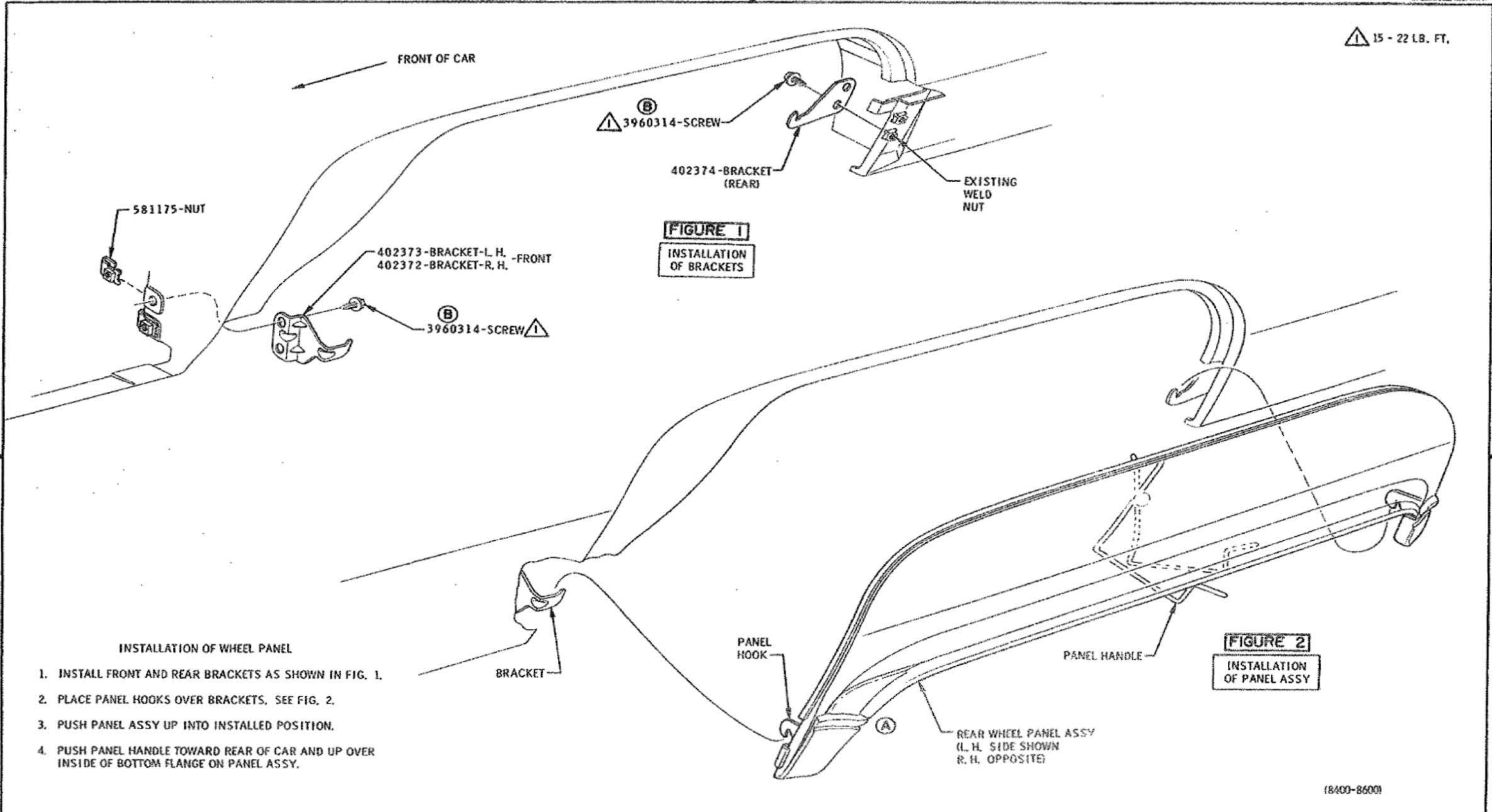


FIGURE 1
INSTALLATION OF BRACKETS

FIGURE 2
INSTALLATION OF PANEL ASSY

INSTALLATION OF WHEEL PANEL

1. INSTALL FRONT AND REAR BRACKETS AS SHOWN IN FIG. 1.
2. PLACE PANEL HOOKS OVER BRACKETS. SEE FIG. 2.
3. PUSH PANEL ASSY UP INTO INSTALLED POSITION.
4. PUSH PANEL HANDLE TOWARD REAR OF CAR AND UP OVER INSIDE OF BOTTOM FLANGE ON PANEL ASSY.

18400-86001

REAR WHEEL OPENING PANEL INSTALLATION									
DATE					TITLE				
1/10/68					REAR WHEEL OPENING PANEL INSTALLATION				
DR. BY R. CARROLL					FIRST USED 1969				
CHECKED					OLDSMOBILE PRODUCT INFORMATION MANUAL				
APPR. P. J. ...					MANUAL SEC. PAGE 11 161				
APPR. 4/26/68					SERIES B-C PART NO. 401901				
DATE	SYM	REVISION	DR. CK.	DATE	SYM	REVISION	DR. CK.	DATE	SYM

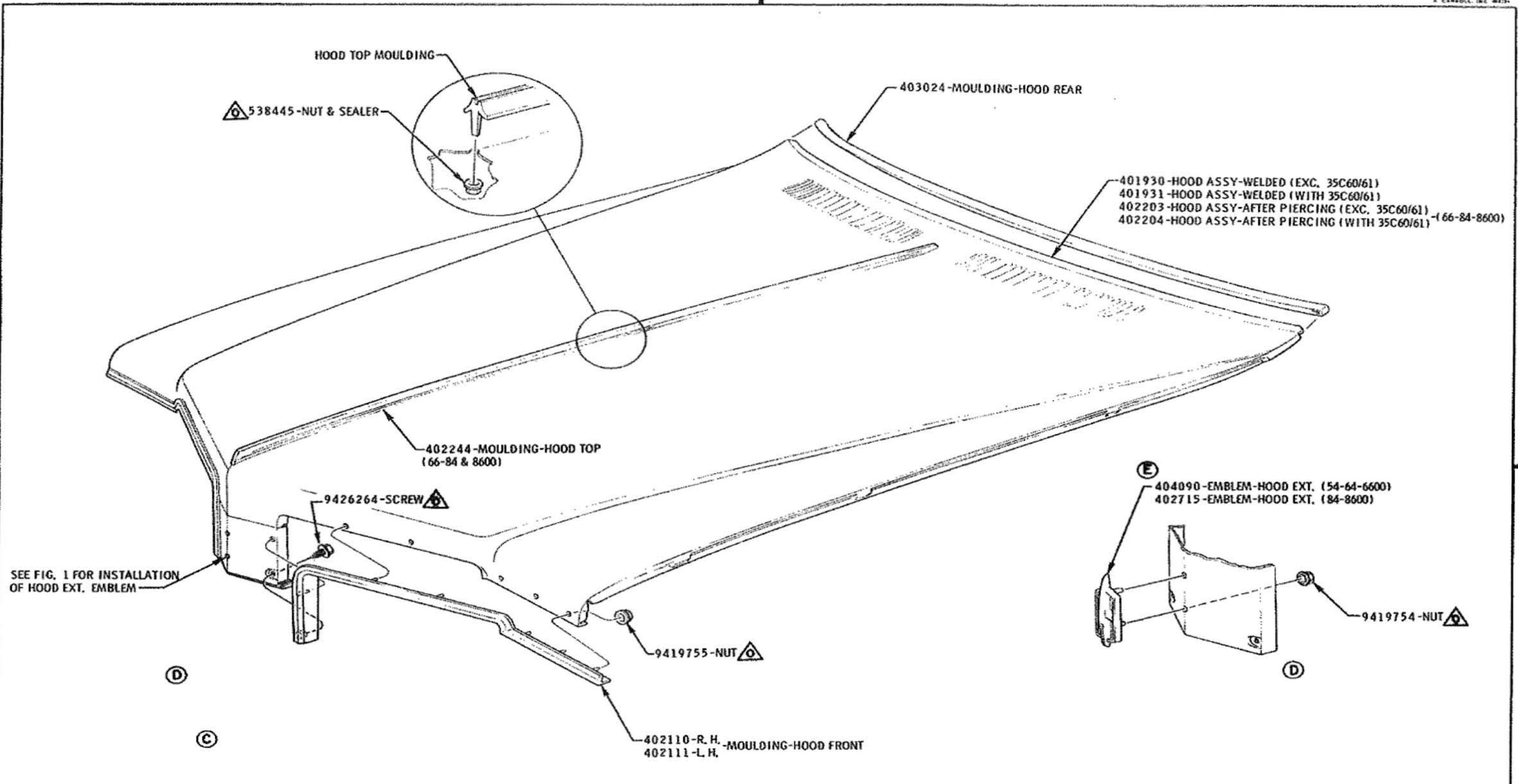
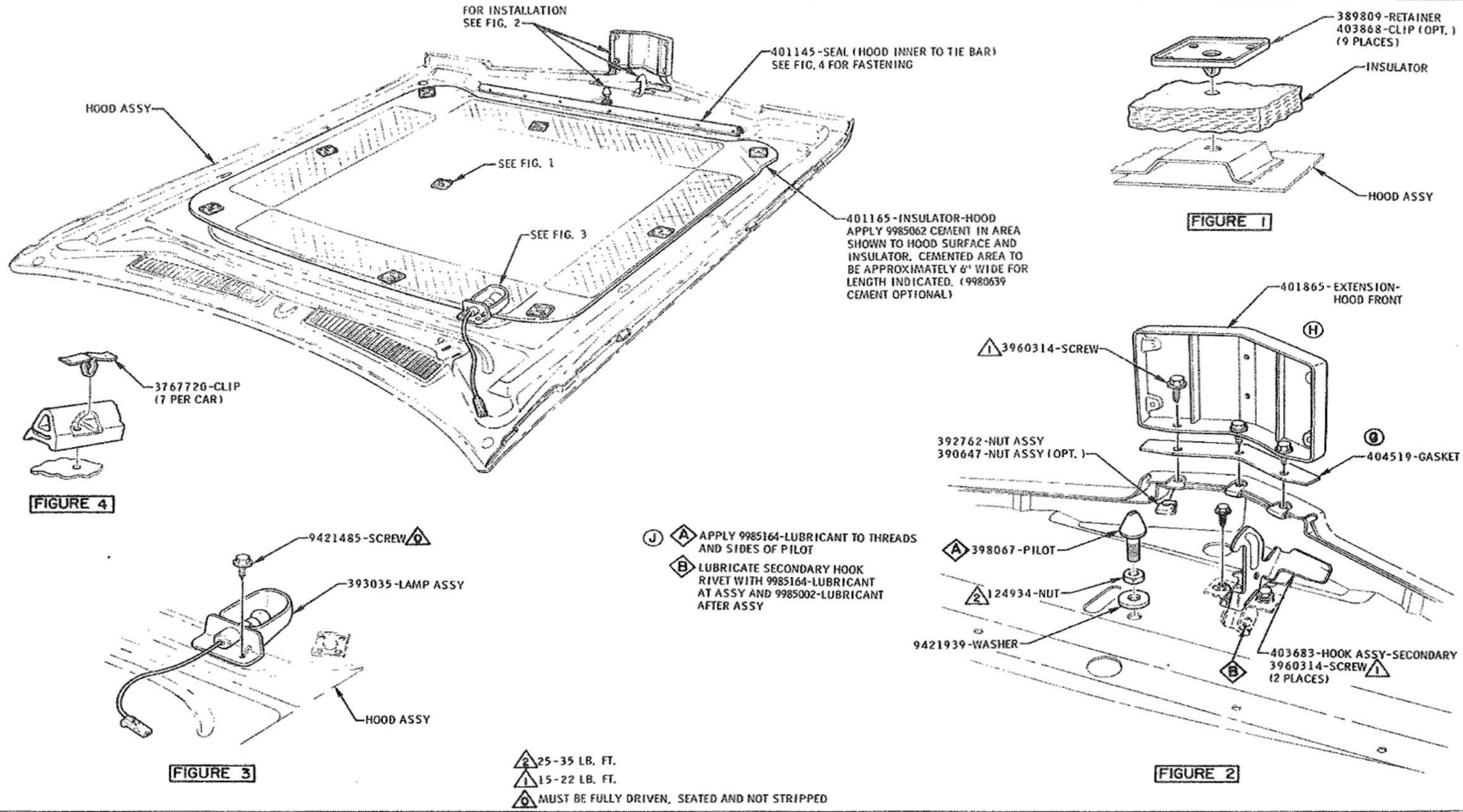


FIGURE 1

MUST BE FULLY DRIVEN, SEATED AND NOT STRIPPED

DATE	SYM	REVISION	DR.	CK.	DATE	SYM	REVISION	DR.	CK.	DATE	SYM	REVISION	DR.	CK.	DATE	SYM	REVISION	DR.	CK.	TITLE	HOOD ORNAMENTATION	MANUAL SEC.	PAGE	
																				6-27-68 E WAS 402292-EMBLEM				
																				6-27-68 D ₂ SHIELD & FASTEN. REMOVED	DATE JAN. 19, 1968	FIRST USED		
																				3-19-68 C FIGURE 2 ADDED	DR BY GMP - JOSEPH V. GALL	1969	OLDSMOBILE PRODUCT INFORMATION MANUAL	11 180
																				3-19-68 B MOULDING REV. TO DETAIL	CHECKED [Signature]	REF. 110	SERIES	PART NO.
																				3-19-68 A SHIELD ADD. 3 VIEW REV	APPR. [Signature]	35467/61	B-C	401901
																					APPR. [Signature] 1/23/68			



HOOD COMPONENTS															
DATE	SYM	REVISION	DR	CK	DATE	SYM	REVISION	DR	CK	DATE	TITLE	FIRST USED	OLDSMOBILE PRODUCT INFORMATION MANUAL	MANUAL SEC.	PAGE
2-22-69	J	NOTE REVISED			5-24-68	E	OPTIONAL CLIP ADDED			PL DT	DATE JAN 22 1968	1969		11	181
9-26-68	H	390905-BUMPER REMOVED			3-13-68	C	WAS 401994 HOOK ASSY			PL DT	DR. BY G.M.P. - JOSEPH V. GILL				
9-9-68	S	404519 GASKET ADDED			3-13-68	B ₂	SEAL AND VIEW ADDED			PL DT	CHECKED J.D.				
9/26/68	F ₂	WAS 9780422			3-13-68	A	LUBRICATION REVISED			PL DT	APPR. J. BURNER	REF. 110 13C	B-C		401901
DATE	SYM	REVISION	DR	CK	DATE	SYM	REVISION	DR	CK	DATE	APPR.		SERIES	PART NO.	

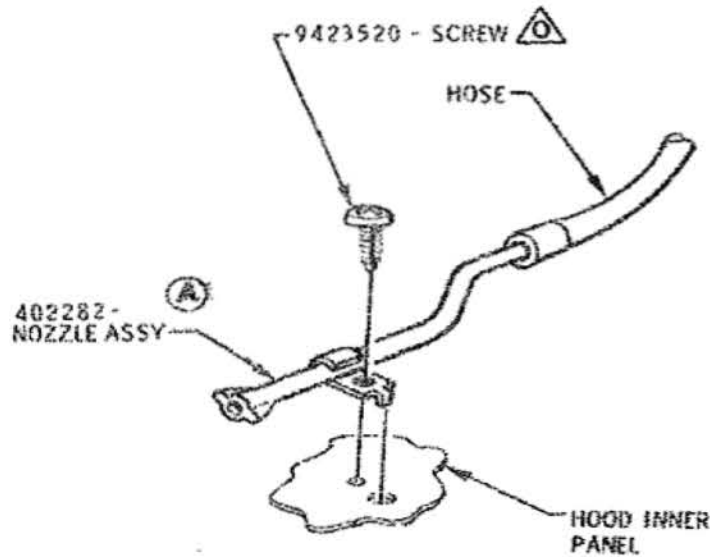
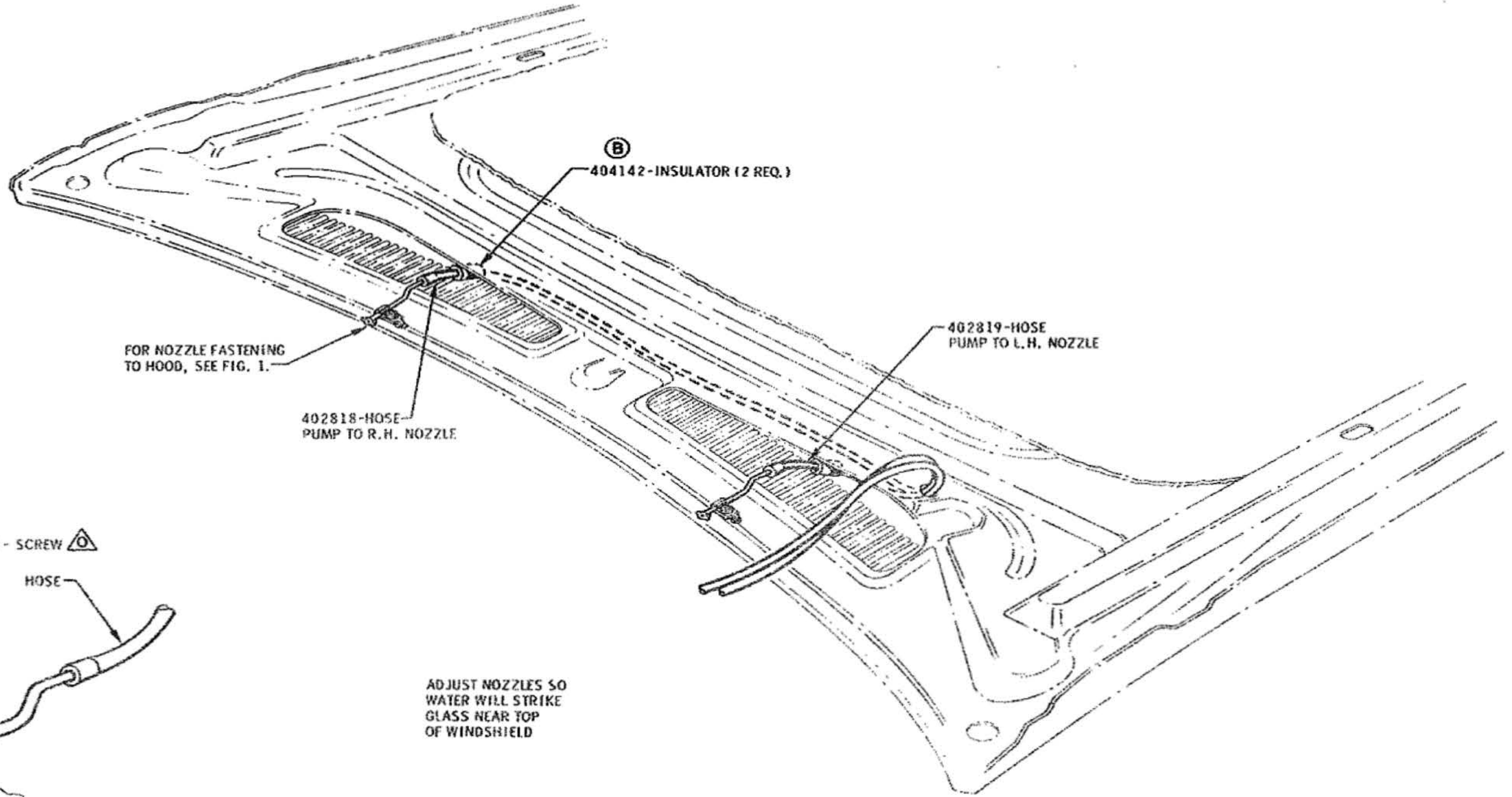


FIGURE 1
NOZZLE FASTENING

MUST BE FULLY DRIVEN, SEATED, AND NOT STRIPPED.

												TITLE		WINDSHIELD WASHER HOSE ROUTING (HOOD)				
												DATE	JAN 15 1969	FIRST USED	1969	OLDSMOBILE PRODUCT	MANUAL SEC.	PAGE
												DR. BY	BEAUDOIN	CHECKED	JED	INFORMATION MANUAL	11	182
												5-21-68 B	INSULATORS ADDED	BS, DY				
												5-21-68 A	NOZZLE REVISED	FR 218				
												DR. CK.	APPR.	SYM	1/23/68	SERIES	B-C	PART NO.
														401901				



SECTION 12 ELECTRICAL

95	CHARTS
110	INSIDE OF CAR
117	ENGINE COMPARTMENT
160	REAR END
215	AIR CONDITIONING
310	CONSOLE
320	RADIO
330	MISCELLANEOUS ACCESSORY

DATE 6-17-68

MANUAL NO. 401901

SERIES B-C

OLDSMOBILE DIVISION GENERAL MOTORS CORPORATION
LANSING -- MICHIGAN

D. CARROLL, INC. 100-100

SWITCH	LOCATION	ACTIVATED BY	RESULT OF ACTIVATING SWITCH	SWITCH IS DEACTIVATED BY	QUALIFYING CONDITIONS	NOTES
REAR WINDOW DEFOGGER SWITCH	HORIZONTAL SURFACE OF CONTROL PANEL ABOVE HEATER OR A/C CONTROL	POSITIONING SWITCH TO "HI" POSITION	REAR WINDOW DEFOGGER OPERATES WITH HIGH BLOWER	POSITIONING SWITCH INTO "OFF" POSITION	IGNITION SWITCH MUST BE IN THE "ON" POSITION	
		POSITIONING SWITCH TO "LO" POSITION	REAR WINDOW DEFOGGER OPERATES WITH LOW BLOWER			
HEATER SWITCH (MASTER)	ON HEATER CONTROL	POSITIONING CONTROL LEVER TO ANY POSITION BUT "OFF"	BLOWER MOTOR OPERATES	POSITIONING CONTROL LEVER TO "OFF" POSITION	IGNITION SWITCH MUST BE IN THE "ON" POSITION	
BLOWER MOTOR SWITCH	ON HEATER CONTROL	POSITIONING KNOB TO DIFFERENT DETENTS	BLOWER SPEED CHANGES; THREE SPEEDS AVAILABLE LOW, MEDIUM & HIGH		IGNITION SWITCH MUST BE IN THE "ON" POSITION AND MASTER SWITCH ENGAGED.	
35C60 A/C SWITCH (MASTER)	INTEGRAL WITH BLOWER MOTOR SWITCH	POSITIONING SWITCH TO OTHER THAN "OFF" POSITION	BLOWER MOTOR OPERATES IN ANY OF THE FOUR AVAILABLE SPEEDS	POSITIONING SWITCH TO "OFF" POSITION	IGNITION SWITCH MUST BE IN THE "ON" POSITION	A/C UNIT IS TURNED "OFF" BY MOVING BLOWER SWITCH TO "OFF" POSITION
ⓐ 35C61 SWITCH (COMPRESSOR)	ON COMFORTRON CONTROL	POSITIONING SWITCH TO HI	CONTROL LAMP AND POWER TO AMBIENT COMPRESSOR SWITCH	POSITIONING CONTROL TO "OFF" POSITION	IGNITION SWITCH MUST BE ON	ELIMINATE BULB HEAT EFFECT IN CAR SENSOR
A/C BLOWER MOTOR SWITCH	ON A/C CONTROL	POSITIONING KNOB TO DIFFERENT DETENTS	BLOWER SPEED CHANGES. FOUR SPEEDS AVAILABLE	POSITIONING SWITCH TO "OFF" POSITION	IGNITION SWITCH MUST BE IN THE "ON" POSITION	A/C UNIT IS TURNED "OFF" BY MOVING BLOWER SWITCH TO "OFF" POSITION
TURN SIGNAL SWITCH	TOP OF STEERING COLUMN (LEVER ON L. H. SIDE)	POSITIONING SWITCH LEVER UP (CLOCKWISE)	R. H. FRONT & REAR TURN SIGNAL LAMPS & R. H. TELL TALE LAMP IN INSTRUMENT PANEL COME ON AND FLASH.	SWITCH SHUTS OFF WHEN STEERING WHEEL RETURNS FROM TURNED POSITION.	IGNITION SWITCH MUST BE IN THE "ON" POSITION	
		POSITIONING SWITCH LEVER DOWN (COUNTERCLOCKWISE)	L. H. FRONT & REAR TURN SIGNAL LAMPS & L. H. TELL TALE LAMP IN INSTRUMENT PANEL COME ON AND FLASH.			
CORNERING LAMP SWITCH	INTEGRAL WITH TURN SIGNAL SWITCH	POSITIONING SWITCH LEVER UP (CLOCKWISE)	R. H. CORNERING LAMP COMES ON	SWITCH SHUTS OFF WHEN STEERING WHEEL RETURNS FROM TURNED POSITION	HEADLAMP SWITCH MUST BE PULLED TO EITHER DETENT.	
		POSITIONING SWITCH LEVER DOWN (COUNTERCLOCKWISE)	L. H. CORNERING LAMP COMES ON			
CRUISE CONTROL ENGAGE SWITCH	IN END OF TURN SIGNAL LEVER	PUSHING BUTTON "IN"	CAR MAINTAINS SPEED AT WHICH IT WAS OPERATING WHEN BUTTON WAS PUSHED	SEE CRUISE CONTROL DISENGAGE SWITCH INFORMATION	1. IGNITION SWITCH MUST BE IN THE "ON" POSITION. 2. CRUISE CONTROL "OFF"-"ON" SWITCH MUST BE "ON" (SEE PAGE 1) 3. ENGINE MUST BE RUNNING.	FOR ADDITIONAL INFORMATION SEE P. I. M. PAGE 0.108 ⓐ
HAZARD WARNING SWITCH	TOP OF STEERING COLUMN (BUTTON ON R. H. SIDE)	POSITIONING BUTTON IN (TOWARD CENTERLINE OF COLUMN)	TURN SIGNAL LAMPS ON BOTH SIDES, FRONT AND REAR FLASH.	PULLING KNOB OUT ⓑ	NONE	ALL FOUR LIGHTS STOP FLASHING WHEN BRAKE PEDAL IS PUSHED. (LIGHTS STAY ON)
NEUTRAL START SWITCH	ON STEERING COLUMN UNDER INSTRUMENT PANEL (A. T. ONLY)	MOVING SHIFT LEVER TO NEUTRAL OR PARK DETENT	STARTING CIRCUIT CAN BE ENERGIZED	MOVING SHIFT LEVER TO ANY POSITION BUT NEUTRAL & PARK DETENT.	NONE	MUST BE ADJUSTED BY ASSEMBLY PLANTS
BACK-UP LAMP SWITCH	INTEGRAL WITH NEUTRAL START SWITCH	MOVING SHIFT LEVER TO THE REVERSE POSITION	BACK-UP LAMPS COME ON	MOVING SHIFT LEVER TO ANY POSITION OTHER THAN REVERSE	IGNITION SWITCH MUST BE IN THE "ON" POSITION	A. T. CAR SWITCHES ARE ADJUSTED WHEN NEUTRAL START SWITCH IS ADJUSTED.

SHEET 2

DATE	SYM	REVISION	DR.	CK.	DATE	SYM	REVISION	DR.	CK.	DATE	SYM	REVISION	DR.	CK.	APPR.	TITLE	FIRST USED	OLDSMOBILE PRODUCT INFORMATION MANUAL	MANUAL SEC.	PAGE	SERIES	PART NO.
																CHART - ELECTRICAL SWITCH OPERATION	1969		12	96	B-C	403860
																DATE MAR 16, 1968						
																DR. BY BILL SCHMIDT						
																CHECKED J. FITZES						
																APPR. J. FITZES						
																DR. CK. APPR.						

OLDSMOBILE DIVISION

GENERAL MOTORS CORPORATION
LANSING — MICHIGAN

R. CARROLL, INC. 48075

SWITCH	LOCATION	ACTIVATED BY	RESULT OF ACTIVATING SWITCH	SWITCH IS DEACTIVATED BY	QUALIFYING CONDITIONS	NOTES
HORN BUTTON (EXCEPT RIM) BLOWER	IN HUB (STANDARD) ACROSS CENTER OF WHEEL (N30) 3 IN SPOKES (N34)	PUSHING BUTTON IN	HORNS BLOW	BUTTON MUST BE HELD IN. SPRING PRESSURE RELEASES.	NONE	
HORN BUTTON (RIM BLOWER STEERING WHEEL)	AROUND ENTIRE RIM OF STEERING WHEEL	PUSHING BUTTON IN	HORNS BLOW	BUTTON MUST BE HELD IN. SPRING PRESSURE RELEASES.	NONE	
IGNITION SWITCH	ON RIGHT HAND SIDE OF STEERING COLUMN	INSERTING KEY AND TURNING CLOCKWISE TO "OFF" POSITION	STEERING WHEEL WILL TURN AND SHIFT BOWL CAN BE MOVED	TURNING KEY COUNTERCLOCKWISE TO "LOCK" POSITION.	NONE	<ol style="list-style-type: none"> KEY CAN BE REMOVED ONLY WHEN SWITCH IS IN "LOCK" POSITION. SHIFT LEVER MUST BE IN PARK (A.T.) OR REVERSE (S.M.T.) BEFORE SWITCH WILL GO INTO "LOCK" POSITION. A WARNING SYSTEM OPERATES OFF THE IGNITION SWITCH AND LEFT FRONT DOOR JAMB SWITCH. WHENEVER THE KEY IS FULLY ENGAGED IN THE LOCK AND THE IGNITION SWITCH IS IN THE "ACCESSORY", "LOCK" AND "OFF" POSITION, A WARNING BUZZER SOUNDS WHEN THE LEFT FRONT DOOR IS OPENED.
		INSERTING KEY AND TURNING CLOCKWISE TO "ON" POSITION	<ol style="list-style-type: none"> IGNITION CIRCUIT IS ENERGIZED GENERATOR WARNING LIGHT ON INSTRUMENT PANEL COMES ON CIRCUITS MENTIONED IN "QUALIFYING CONDITIONS" COLUMN ARE ENERGIZED OIL PRESSURE LIGHT COMES ON COLD LIGHT (ENGINE UNDER 110° F.) 	TURNING KEY COUNTERCLOCKWISE TO "OFF" OR "LOCK" POSITION.		
		INSERTING KEY AND TURNING CLOCKWISE TO "START" POSITION	<ol style="list-style-type: none"> STARTING CIRCUIT IS ENERGIZED GENERATOR WARNING LIGHT ON INSTRUMENT PANEL COMES ON ENGINE TEMP. "HOT" (RED) WARNING LIGHT COMES ON OIL PRESSURE LIGHT COMES ON COLD LIGHT COMES ON (ENGINE UNDER 110° F.) 	RELEASING KEY. SPRING PRESSURE TURNS SWITCH COUNTERCLOCKWISE TO "ON" POSITION.		
		INSERTING KEY, PUSHING SWITCH FORWARD (IN) AND TURNING COUNTERCLOCKWISE TO "ACCESSORY" POSITION	<ol style="list-style-type: none"> CIRCUITS MENTIONED IN "QUALIFYING CONDITIONS" COLUMN ARE ENERGIZED 	TURNING KEY CLOCKWISE TO "LOCK" OR "OFF" POSITION.		
HEADLAMP FOOT DIMMER SWITCH	L.H. SIDE OF TOE PAN	DEPRESSING PLUNGER THE FULL LENGTH OF TRAVEL (SWITCH CLICKS)	NUMBER OF HEADLAMPS ON CHANGES (TWO TO FOUR OR FOUR TO TWO)	RELEASING PLUNGER. SPRING PRESSURE RETURNS SWITCH.	NONE	
STOP LAMP SWITCH	ON BRAKE PEDAL BRACKET ASSY (HAS ITS OWN BRACKET)	PUSHING ON THE BRAKE PEDAL	STOP LAMPS COME ON	RELEASE BRAKE PEDAL. SPRING PRESSURE RETURNS BRAKE PEDAL.	NONE	MUST BE ADJUSTED BY ASSEMBLY PLANTS (SELF ADJUSTING)
CRUISE CONTROL DISENGAGE SWITCH	INTEGRAL WITH STOP LAMP SWITCH	PUSHING ON THE BRAKE PEDAL	CRUISE CONTROL IS DISENGAGED	RELEASING BRAKE PEDAL. SPRING PRESSURE RETURNS BRAKE PEDAL.	CRUISE CONTROL MUST BE OPERATING	FOR COMPLETE INFORMATION ON CRUISE CONTROL OPERATION, SEE P. I.M., PAGE 0.108 (A)
TRANSMISSION DOWNSHIFT SWITCH (A.T. ONLY)	INSIDE OF FIREWALL ADJACENT TO THROTTLE LEVER	PUSHING ACCELERATOR PEDAL TO ITS STOP	TRANSMISSION DOWNSHIFTS	RELEASING THE ACCELERATOR PEDAL. SPRING PRESSURE RETURNS PEDAL.	IGNITION SWITCH MUST BE IN THE "ON" POSITION	MUST BE ADJUSTED BY ASSEMBLY PLANTS.
PARK BRAKE SWITCH	MOUNTED ON PARK BRAKE ASSEMBLY	POSITIONING PARK BRAKE TO SECOND CLICK	BRAKE WARNING LIGHT IN INSTRUMENT PANEL COMES ON	RELEASING PARK BRAKE BY PULLING RELEASE LEVER. SPRING PRESSURE RETURNS PEDAL.	IGNITION SWITCH MUST BE IN THE "ON" POSITION	
SAFETY SENTINEL WARNING SWITCH	INTEGRAL WITH SAFETY SENTINEL CLUSTER	SPEEDOMETER NEEDLE REACHING THE POSITION OF THE ADJUSTIBLE SPEED INDICATOR NEEDLE	SAFETY SENTINEL BUZZES	SPEEDOMETER NEEDLE FALLING BELOW INDICATOR NEEDLE.	IGNITION SWITCH MUST BE IN THE "ON" POSITION	

SHEET 3

TITLE										CHART - ELECTRICAL SWITCH OPERATION									
DATE					MAR 23 1968					FIRST USED					1969				
DR. BY					BILL SCHMIDT					OLDSMOBILE PRODUCT					INFORMATION MANUAL				
CHECKED					J. P. FINE'S					MANUAL SEC.					PAGE				
6768 A					WAS 0.350					SERIES					B-C				
DATE					SYM					REVISION					PART NO.				
															403860				

OLDSMOBILE DIVISION GENERAL MOTORS CORPORATION
LANSING — MICHIGAN

R. CARROLL, INC. #7251

SWITCH	LOCATION	ACTIVATED BY	RESULT OF ACTIVATING SWITCH	SWITCH IS DEACTIVATED BY	QUALIFYING CONDITIONS	NOTES
POWER TOP SWITCH (CONVERTIBLES)	HORIZONTAL SURFACE OF CONTROL PANEL ABOVE ASH TRAY	PUSHING "UP" SIDE OF SWITCH	CONVERTIBLE TOP COMES "UP" (ENCLOSING CAR)	SWITCH MUST BE HELD IN EITHER "UP" OR "DOWN" POSITION. SPRING LOADING BRINGS SWITCH TO NEUTRAL POSITION.	NONE	
		PUSHING "DOWN" SIDE OF SWITCH	CONVERTIBLE TOP GOES "DOWN"			
POWER ANTENNA SWITCH	ADJACENT TO POWER TOP SWITCH	PUSHING "UP" SIDE OF SWITCH	ANTENNA RAISES	SWITCH MUST BE HELD IN EITHER "UP" OR "DOWN" POSITION. SPRING LOADING BRINGS SWITCH TO NEUTRAL POSITION.	IGNITION SWITCH MUST BE IN THE "ON" POSITION Ⓢ	
		PUSHING "DOWN" SIDE OF SWITCH	ANTENNA LOWERS			
COURTESY LAMP SWITCH	ADJACENT TO POWER ANTENNA SWITCH	MOVING SWITCH LEVER TO THE REAR	MAP LAMP & COURTESY LAMPS INCLUDING WARNING LAMPS ON 6647 & 8467 MODELS COME ON. Ⓢ	MOVING LEVER FORWARD	NONE	
RADIO SWITCH	L. H. KNOB OF RADIO (CENTER OF INSTRUMENT PANEL)	TURNING KNOB CLOCKWISE	RADIO COMES ON	TURNING KNOB TO FULL COUNTERCLOCKWISE POSITION	1. IGNITION SWITCH MUST BE IN THE "ON" OR "ACCESSORY" POSITION. 2. STEREO TAPE MUST NOT BE ENGAGED IN TAPE PLAYER (IF SO EQUIPPED).	
STEREO TAPE PLAYER SWITCH	INTEGRAL WITH TAPE PLAYER	PUSHING TAPE INTO PLACE IN TAPE PLAYER	TAPE PLAYER COMES ON	PULLING TAPE REARWARD UNTIL IT DISENGAGES PLAYER	IGNITION SWITCH MUST BE IN THE "ON" OR "ACCESSORY" POSITION.	
GLOVE BOX LAMP SWITCH	1. L. H. SIDE OF GLOVE BOX ON VERTICAL SURFACE 2. FORWARD SIDE OF GLOVE BOX OPENING IN CONSOLE (D-55 ONLY)	OPENING GLOVE BOX DOOR	LIGHT IN GLOVE BOX COMES ON	CLOSING GLOVE BOX DOOR	NONE	
FRONT DOOR JAMB SWITCHES	BOTH FRONT DOOR HINGE PILLARS	OPENING EITHER FRONT DOOR	COURTESY LAMPS, MAP LAMP & DOME LAMPS COME ON. (INCLUDING LAMPS IN FRONT DOORS WHEN PRESENT.) 8600 MODEL DOME LAMPS WILL NOT COME ON. Ⓢ	CLOSING ONE FRONT DOOR (WHEN OTHER DOOR IS CLOSED)	NONE	DOME LAMP CAN BE TURNED ON BY TURNING HEADLAMP SWITCH. IF THIS CONDITION EXISTS, DOOR JAMB SWITCH WILL NOT SHUT OFF DOME LAMPS.
REAR DOOR JAMB SWITCHES	BOTH REAR DOOR HINGE PILLARS	OPENING EITHER REAR DOOR	1. DOME LAMPS COME ON 2. DOME LAMPS & REAR COMPARTMENT LAMPS IN DOORS & SEAT BACK COME ON 8600 Ⓢ	CLOSING ONE REAR DOOR (WHEN OTHER DOOR IS CLOSED)	NONE	
WINDOW REGULATOR SWITCHES Ⓢ	IN DOOR TRIM PADS OR ARM RESTS (4) IN L.F. DOOR. (1) IN EACH OTHER DOOR.	PUSHING BUTTON UP (FORWARD)	WINDOWS GO UP (CLOSE)	RELEASING BUTTON SPRING PRESSURE RETURNS BUTTON TO NEUTRAL POSITION & WINDOW STOPS MOVING.	IGNITION SWITCH MUST BE IN "ON" OR "ACCESSORY" POSITION	SWITCHES IN L. H. FRONT DOOR CONTROL ALL WINDOWS. WHEN CLUSTER OF (4) SWITCHES ARE IN TRIM PAD, SWITCH IN THE REAR POSITION OPERATES LEFT FRONT WINDOW. WHEN CLUSTER OF (4) SWITCHES IS IN ARM REST, SWITCH IN LEFT FRONT POSITION OPERATES LEFT FRONT WINDOW. Ⓢ
		PUSHING BUTTON DOWN (REARWARD)	WINDOWS GO DOWN (OPEN)			

SHEET 4

REVISION								TITLE		CHART - ELECTRICAL SWITCH OPERATION				
DATE	SYM	REVISION	DR.	CK.	DATE	SYM	REVISION	DR.	CK.	DATE	FIRST USED	OLDSMOBILE PRODUCT INFORMATION MANUAL	MANUAL SEC.	PAGE
		4-15-69				D3	NOTE REVISED	KR	UT	MAR 23, 1968	1969		12	98
		11-16-68				C	NOTE REVISED	K	UT	DR. BY BILL SCHMIDT				
		10-26-68				B	LINE REMOVED	P	UT	CHECKED J. P. ...				
		10-26-68				A	NOTE REVISED	P	UT	APP. J. P. ...				
												B-C	403860	

OLDSMOBILE DIVISION

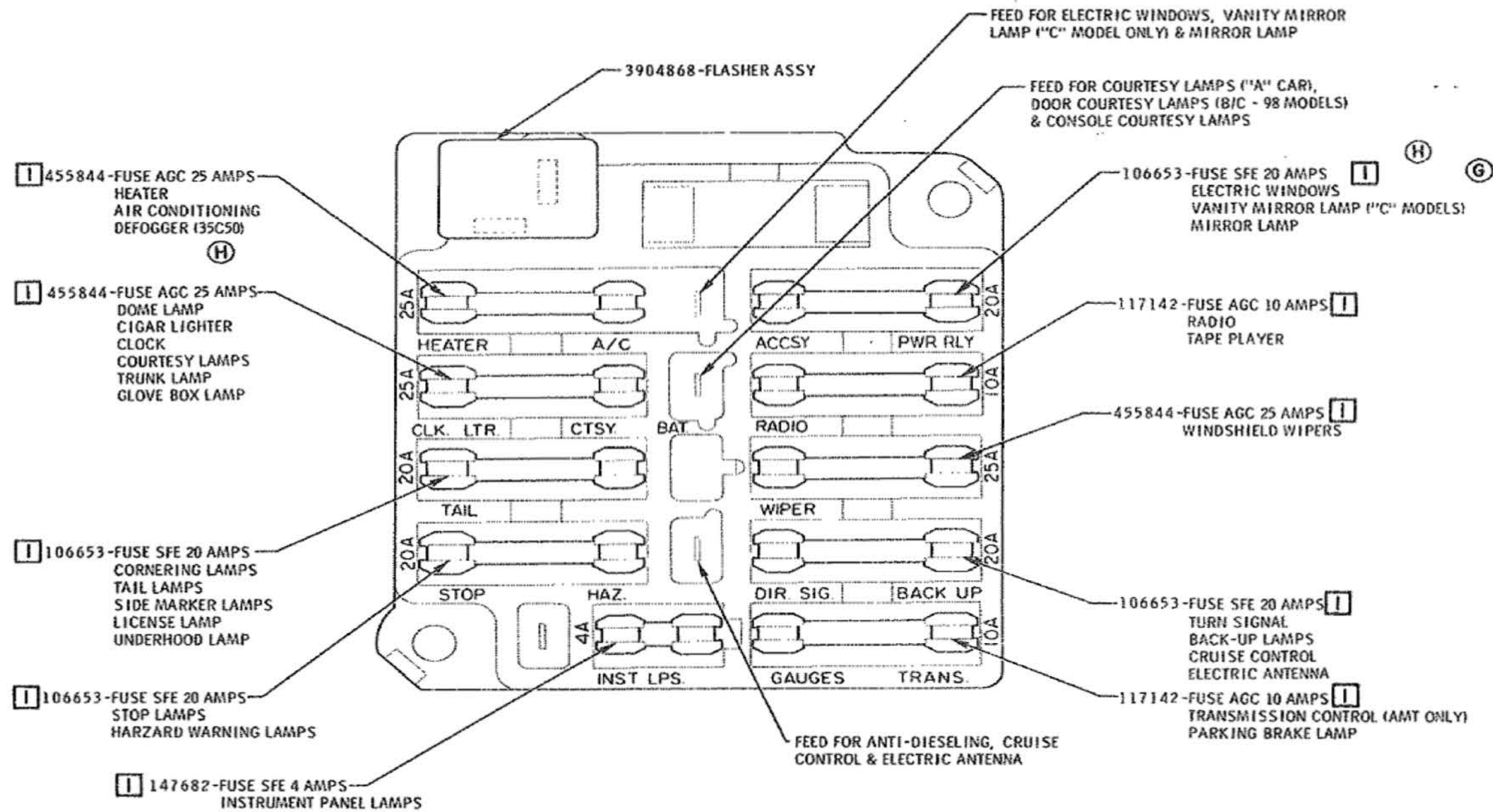
GENERAL MOTORS CORPORATION
LANSING — MICHIGAN

B. CARROLL, INC. 1968

SWITCH	LOCATION	ACTIVATED BY	RESULT OF ACTIVATING SWITCH	SWITCH IS DEACTIVATED BY	QUALIFYING CONDITIONS	NOTES
2 WAY POWER SEAT	LEFT FRONT DOOR ARM REST	PUSHING BUTTON FORWARD	FRONT SEAT MOVES FORWARD	RELEASING BUTTON SPRING PRESSURE RETURNS BUTTON TO NEUTRAL POSITION & SEAT STOPS MOVING.	NONE	
		PUSHING BUTTON REARWARD	FRONT SEAT MOVES REARWARD			
4 WAY POWER SEAT	LEFT SIDE OF LEFT FRONT SEAT IN SIDE TRIM PANEL	PUSHING BUTTON FORWARD	L. F. SEAT MOVES FORWARD	RELEASING BUTTON SPRING PRESSURE RETURNS BUTTON TO NEUTRAL POSITION & SEAT STOPS MOVING.	NONE	AVAILABLE ON 36687 MODELS WITH BUCKET SEAT (A-51) ONLY
		PUSHING BUTTON REARWARD	L. F. SEAT MOVES REARWARD			
		PUSHING BUTTON UP	L. F. SEAT MOVES UP			
		PUSHING BUTTON DOWN	L. F. SEAT MOVES DOWN			
6 WAY POWER SEAT	L. H. SEAT SIDE PANEL FRONT SEAT, L. H. FRONT DOOR ARM REST.	PUSHING FRONT BUTTON UP (LEFT)	FRONT OF SEAT MOVES UP	RELEASING BUTTON SPRING PRESSURE RETURNS BUTTON TO NEUTRAL POSITION & SEAT STOPS MOVING.	NONE	
		PUSHING FRONT BUTTON DOWN (RIGHT)	FRONT OF SEAT MOVES DOWN			
		PUSHING CENTER BUTTON FORWARD OR UP	SEAT MOVES FORWARD OR UP			
		PUSHING CENTER BUTTON REARWARD OR DOWN	SEAT MOVES REARWARD OR DOWN			
		PUSHING REAR BUTTON UP (LEFT)	REAR OF SEAT MOVES UP			
		PUSHING REAR BUTTON DOWN (RIGHT)	REAR OF SEAT MOVES DOWN			
TRUNK LAMP SWITCH	INTEGRAL WITH TRUNK LAMP	RAISING DECK LID	TRUNK LAMP COMES ON	CLOSING DECK LID	NONE	
(A) CLUTCH START SWITCH (S. M. T. ONLY)	INSIDE CAR ON BRAKE SUPPORT BRACKET	DEPRESSING CLUTCH PEDAL TO FLOOR	STARTING CIRCUIT CAN BE ENERGIZED	RELEASING CLUTCH PEDAL	NONE	
(B) HIGH LEVEL VENT BLOWER SWITCH (C-57)	HORIZONTAL SURFACE OF CONTROL PANEL ABOVE CIGAR LIGHTER	POSITIONING SWITCH TO "ON" POSITION	VENTILATION BLOWERS OPERATE	POSITIONING SWITCH TO "OFF" POSITION	IGNITION SWITCH MUST BE IN THE "ON" POSITION	
(C) MAP LAMP SWITCH (UF-1)	ON INSIDE REAR VIEW MIRROR	POSITIONING SWITCH TO "ON" POSITION	MAP LAMP IN MIRROR COMES ON	MOVING SWITCH TO "OFF" POSITION	IGNITION SWITCH MUST BE IN "ON" OR "ACCESSORY" POSITION	

SHEET 5

DATE	SYM	REVISION	DR.	CK.	DATE	SYM	REVISION	DR.	CK.	DATE	SYM	REVISION	DR.	CK.	APPR.	TITLE	DATE	FIRST USED	OLDSMOBILE PRODUCT INFORMATION MANUAL	MANUAL SEC.	PAGE	SERIES	PART NO.
																CHART - ELECTRICAL SWITCH OPERATION	MAR 23, 1968	1969	12	99	B-C	403860	
																7568 C SWITCH ADDED							
																62668 B SWITCH ADDED							
																53468 A SWITCH ADDED							



[I] THESE FUSES PART OF FUSE PANEL AS PURCHASED.
FOR EQUIVALENT PACKARD ELECTRIC FUSE
PART NUMBER SEE CHART.

FUSE EQUIVALENT CHART

AMPS	OLDS PART NUMBER	PACKARD ELECTRIC EQUIVALENT	COLOR CODE
25	455844	9426332	WHITE
10	117142	9426334	RED

DATE	SYM	REVISION	DR	CK	DATE	SYM	REVISION	DR	CK	DATE	SYM	REVISION	DR	CK	DATE	SYM	REVISION	DR	CK	APPR.	TITLE	
					7-10-68		REF SYMBOL ADDED														V6	DATE
					6-27-68		NOTES REVISD															DATE
					6-1-68		NOTES REVISD															DR BY
					5-29-68		NOTE ADDED															CHECKED
					5-29-68		NOTES REVISD															APPR.
																						DATE

(F)

CHART - FUSE PANEL

FIRST USED: 1969

OLDSMOBILE PRODUCT INFORMATION MANUAL

MANUAL SEC. PAGE: 12 100

REF. 12H

SERIES: A-B-C

PART NO.: 401900-1

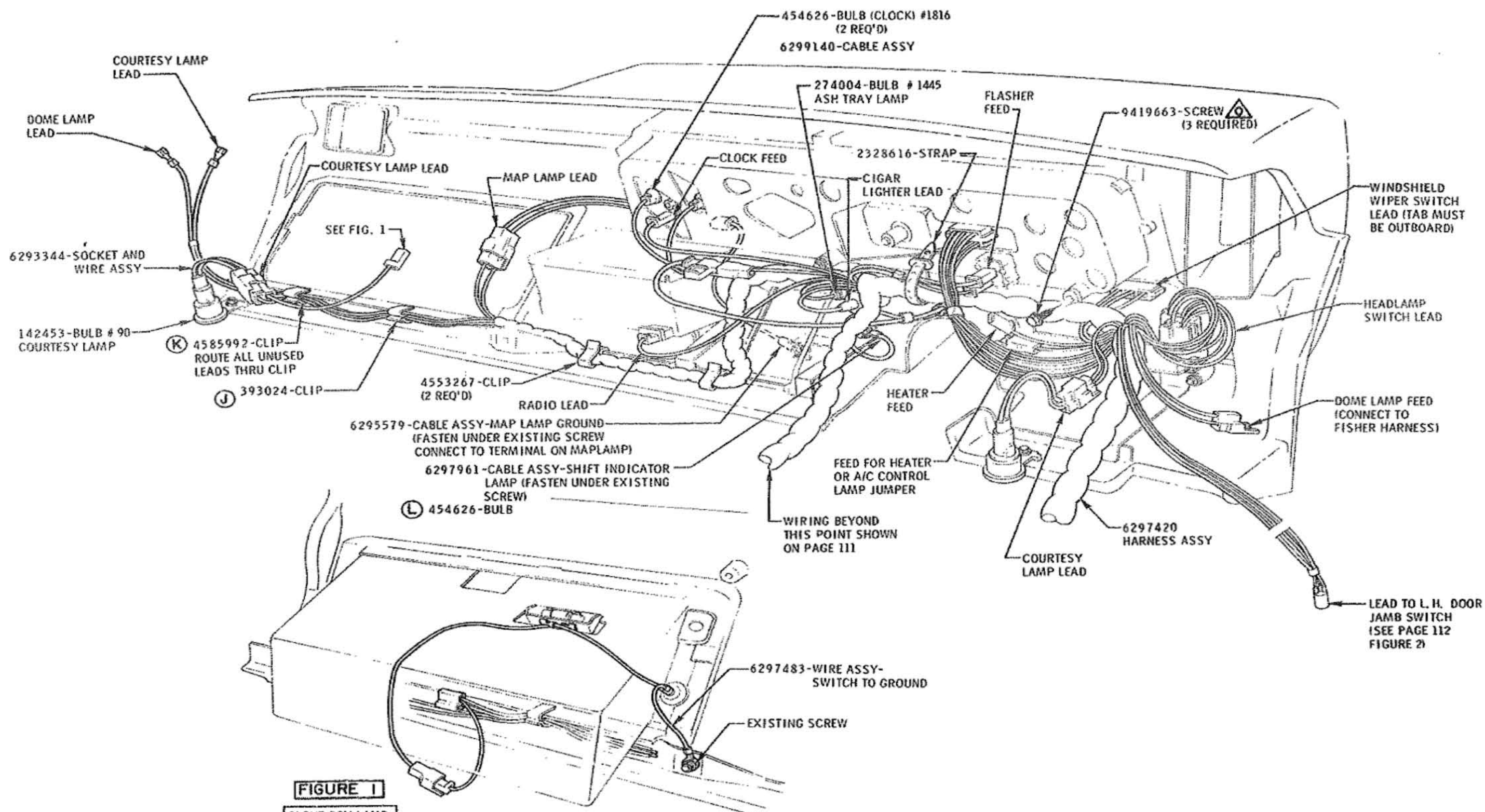
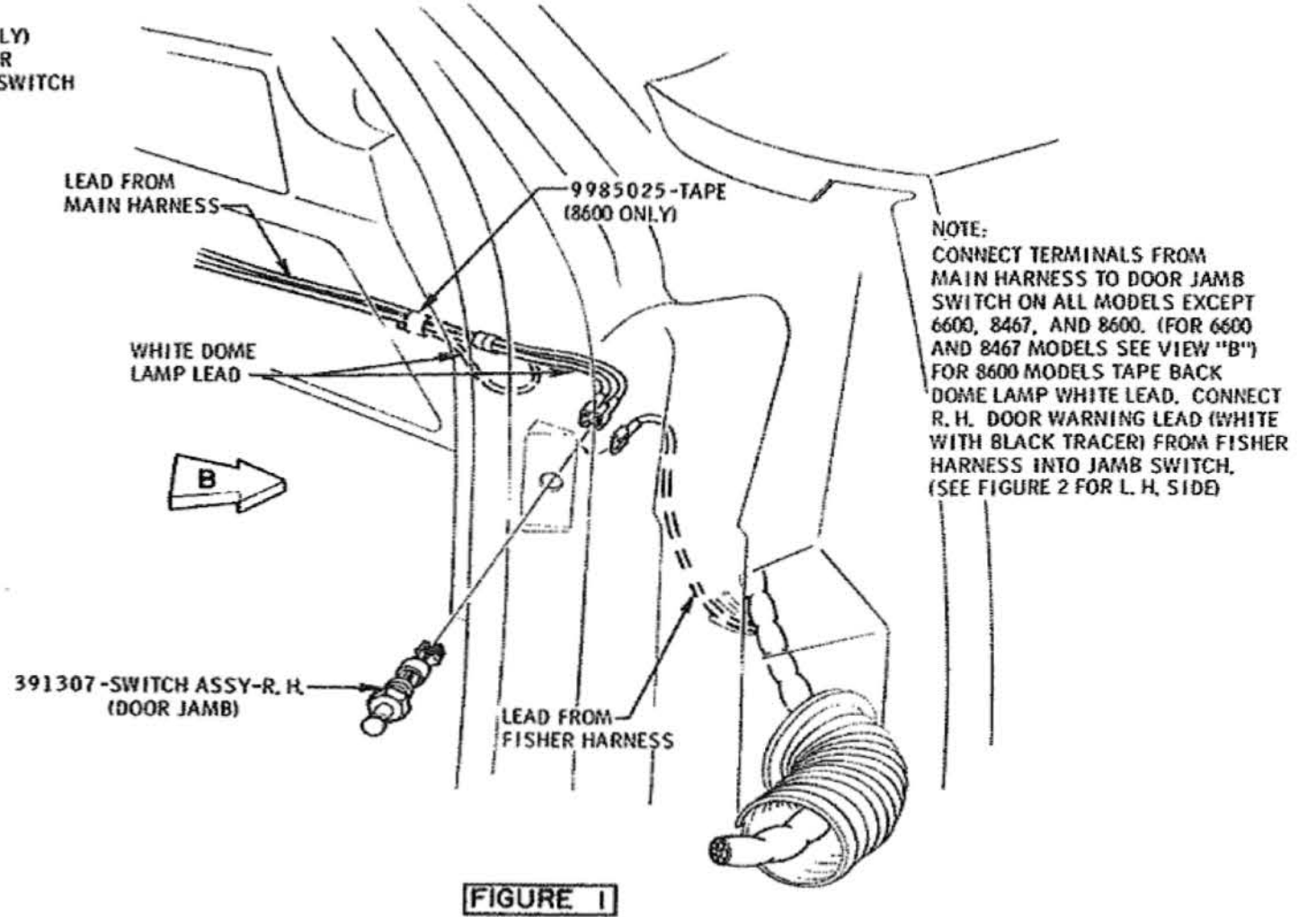
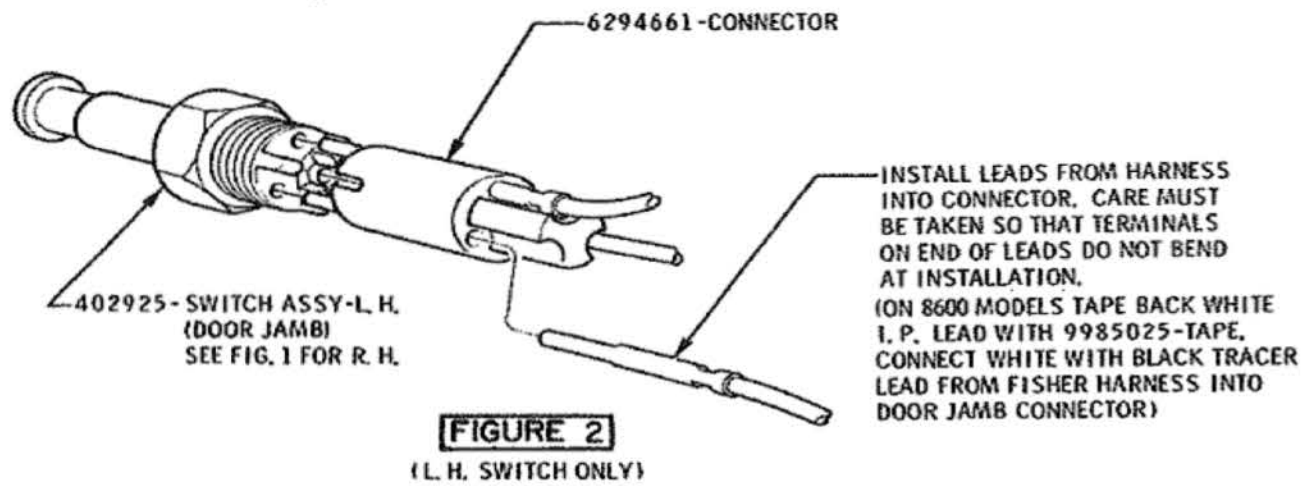
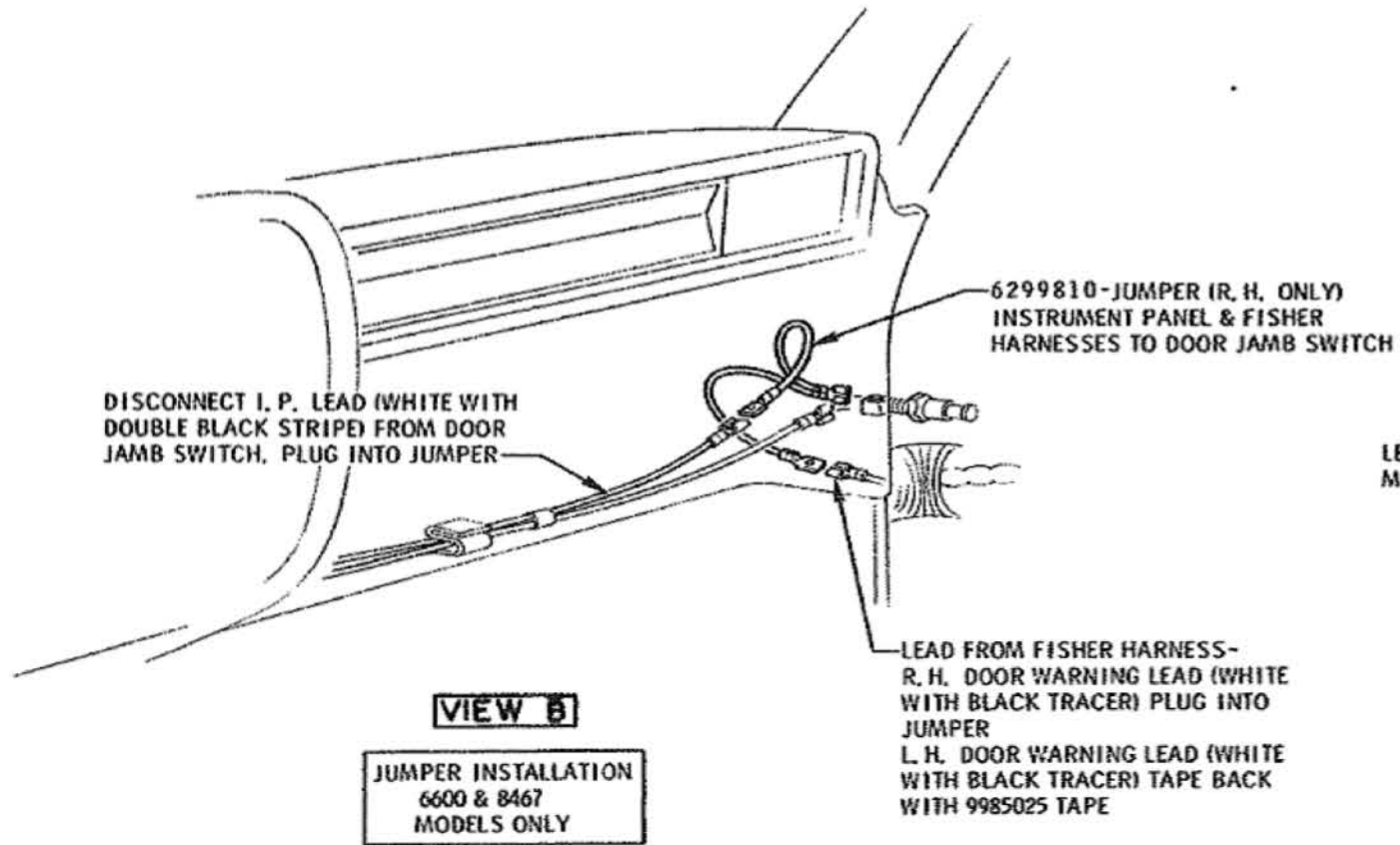


FIGURE 1

GLOVE BOX LAMP
FEED CONNECTION

MUST BE FULLY DRIVEN, SEATED AND NOT STRIPPED

DATE	SYM	REVISION	DR	CK	DATE	SYM	REVISION	DR	CK	DATE	SYM	REVISION	DR	CK	DATE	SYM	REVISION	DR	CK	TITLE	FIRST USED	OLDSMOBILE PRODUCT INFORMATION MANUAL	MANUAL SEC. PAGE	PART NO.		
					8-11-69	K	4585992-CLIP ADDED			DT	9-7-68	E	VIEW ADDED							TITLE						
					11-12-68	J	NOTE REVISED			DT	9-4-68	D	WAS 3416327-BULB								1969		12	110		
					11-12-68	H	VIEW MOVED TO PAGE 112			DT	8-5-68	C	NOTE REVISED								APR 5 1969					
					9-24-68	G	BULB NO'S REVISED			DT	6-26-68	B	RE-DRAWN-NO CHANGE								DR. BY D. C. HIMSREACH					
2-25-69	L	WAS 3416327-BULB			9-17-68	F	QUANTITY REVISED			DT	5-29-68	A	WIRING REVISED								REF. 12 H	SERIES				
																						B-C	401901			
																					SERIES		PART NO.			



DATE	SYM	REVISION	DR. CK.	DATE	SYM	REVISION	DR. CK.	DATE	SYM	REVISION	DR. CK.	DATE	SYM	REVISION	DR. CK.	TITLE	FIRST USED	OLDSMOBILE PRODUCT INFORMATION MANUAL	MANUAL SEC.	PAGE
																DOOR JAMB SWITCHES	1969		12	112
																DATE ALV. 2, 1968				
																DR. BY D. C. HIMEBAUGH				
																CHECKED <i>Titus</i>				
																APPR. <i>SIN 2/19/68</i>				
																		SERIES	PART NO.	
																		B-C		401901

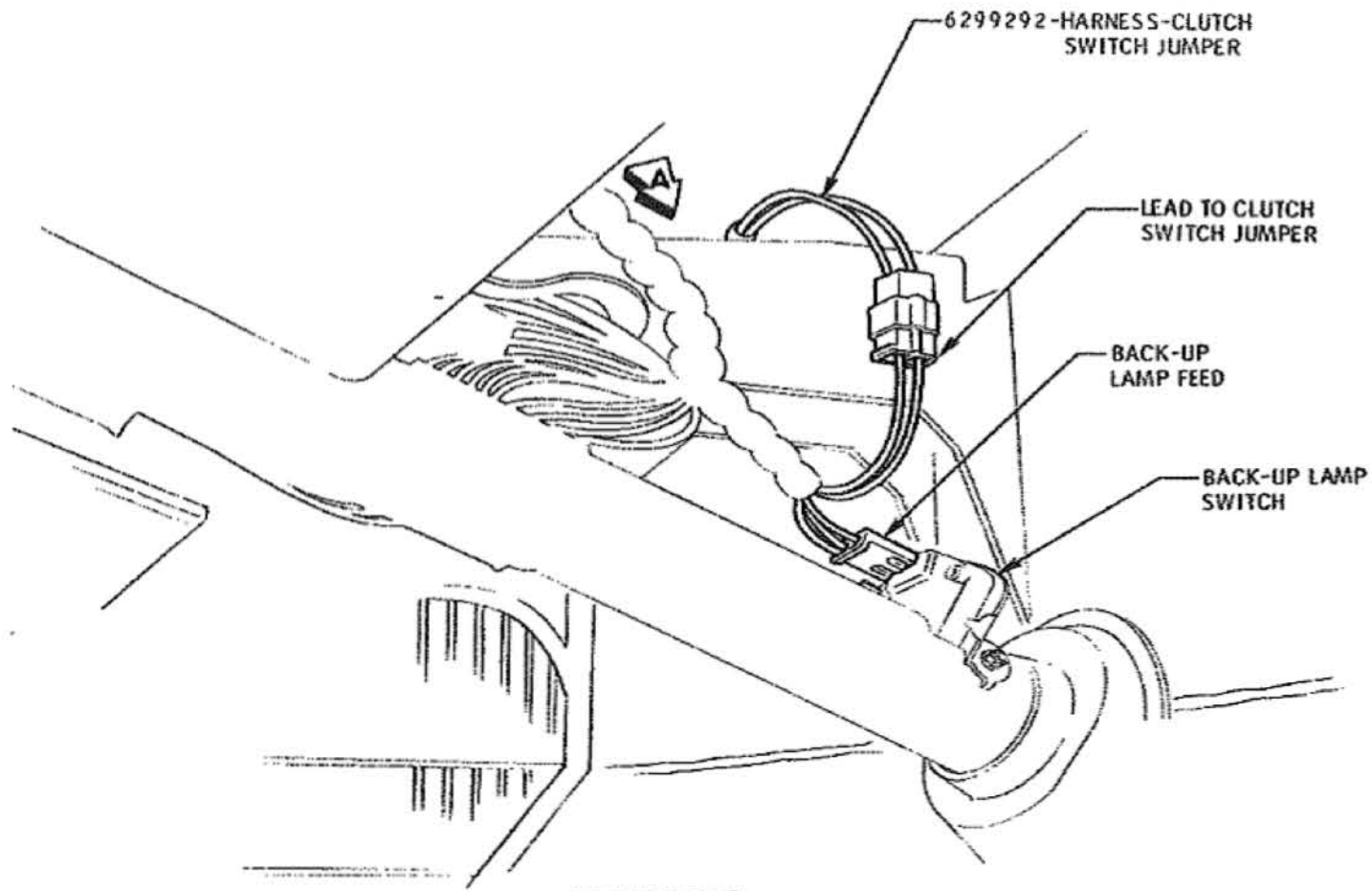
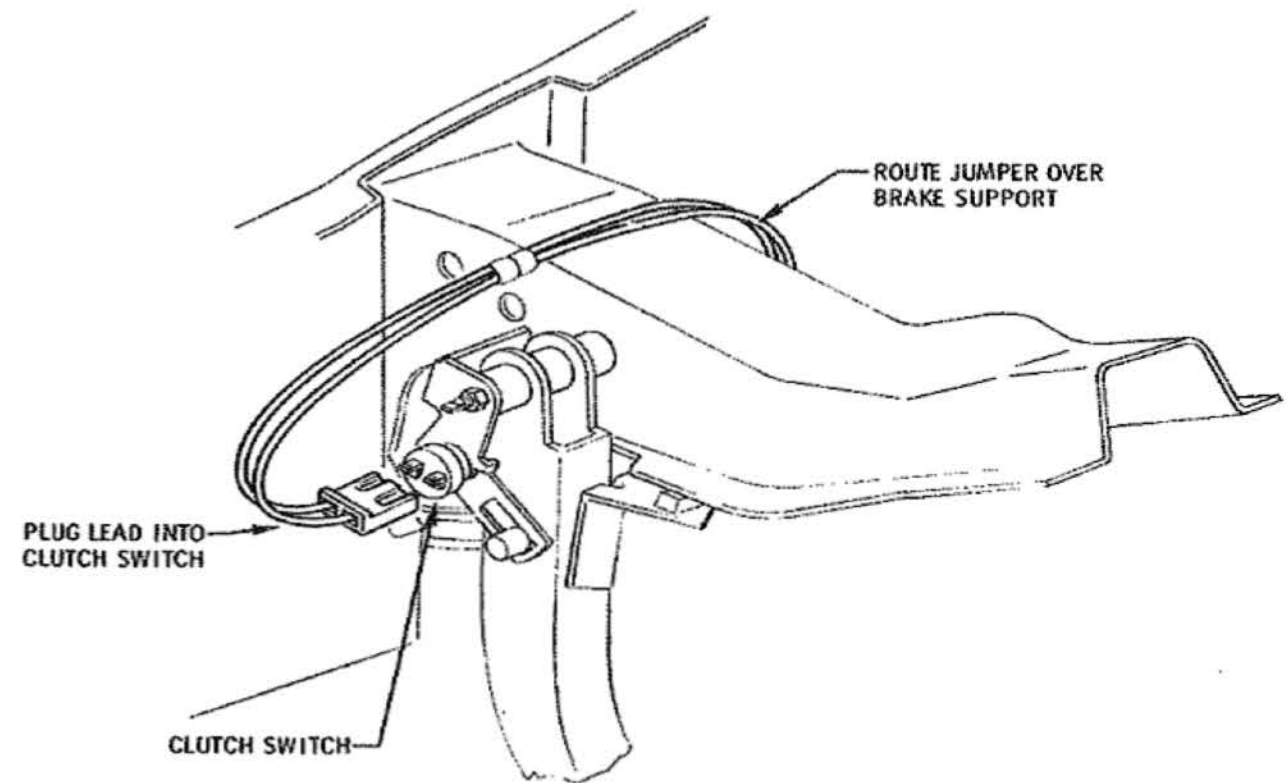


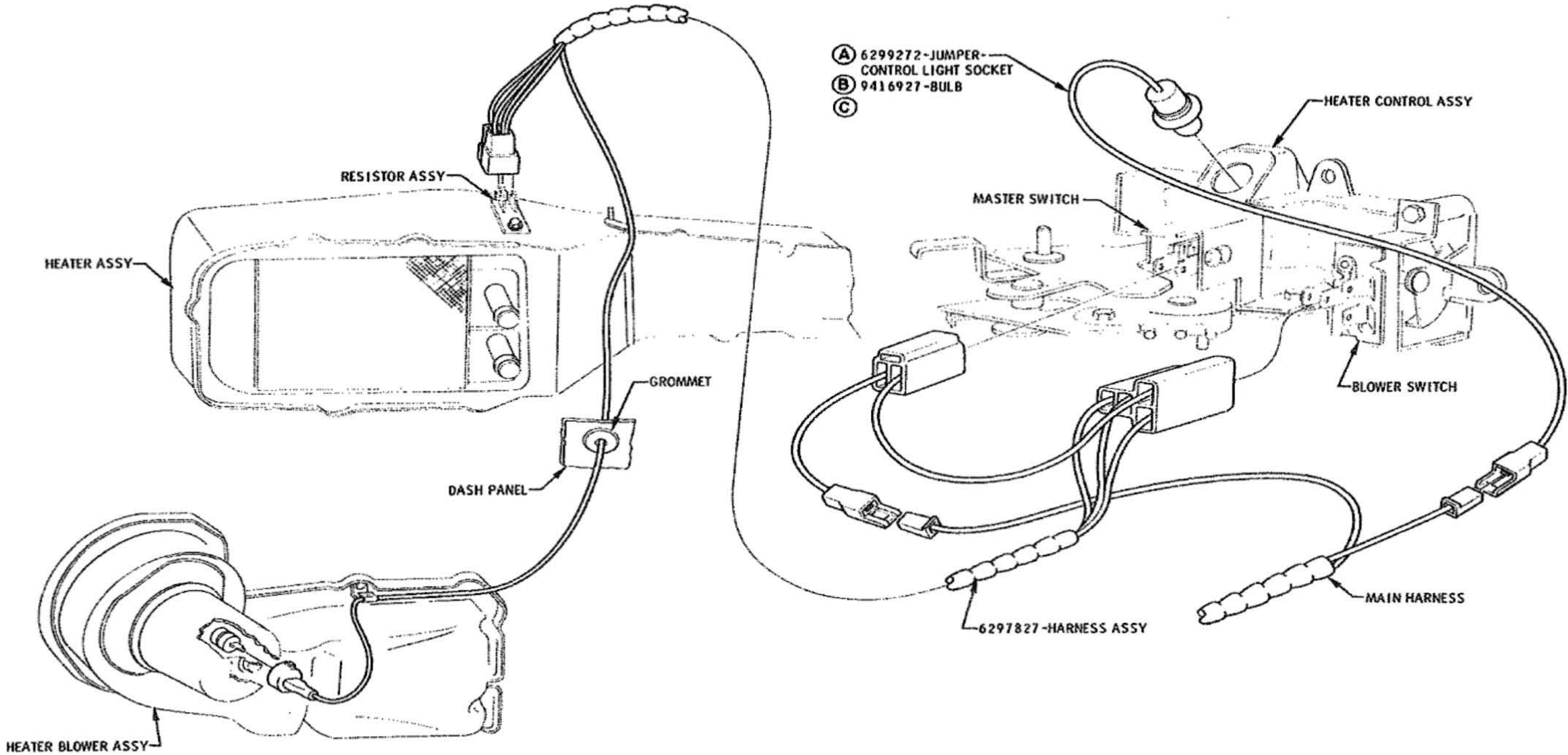
FIGURE 2

BACK-UP LAMP & CLUTCH JUMPER WIRING



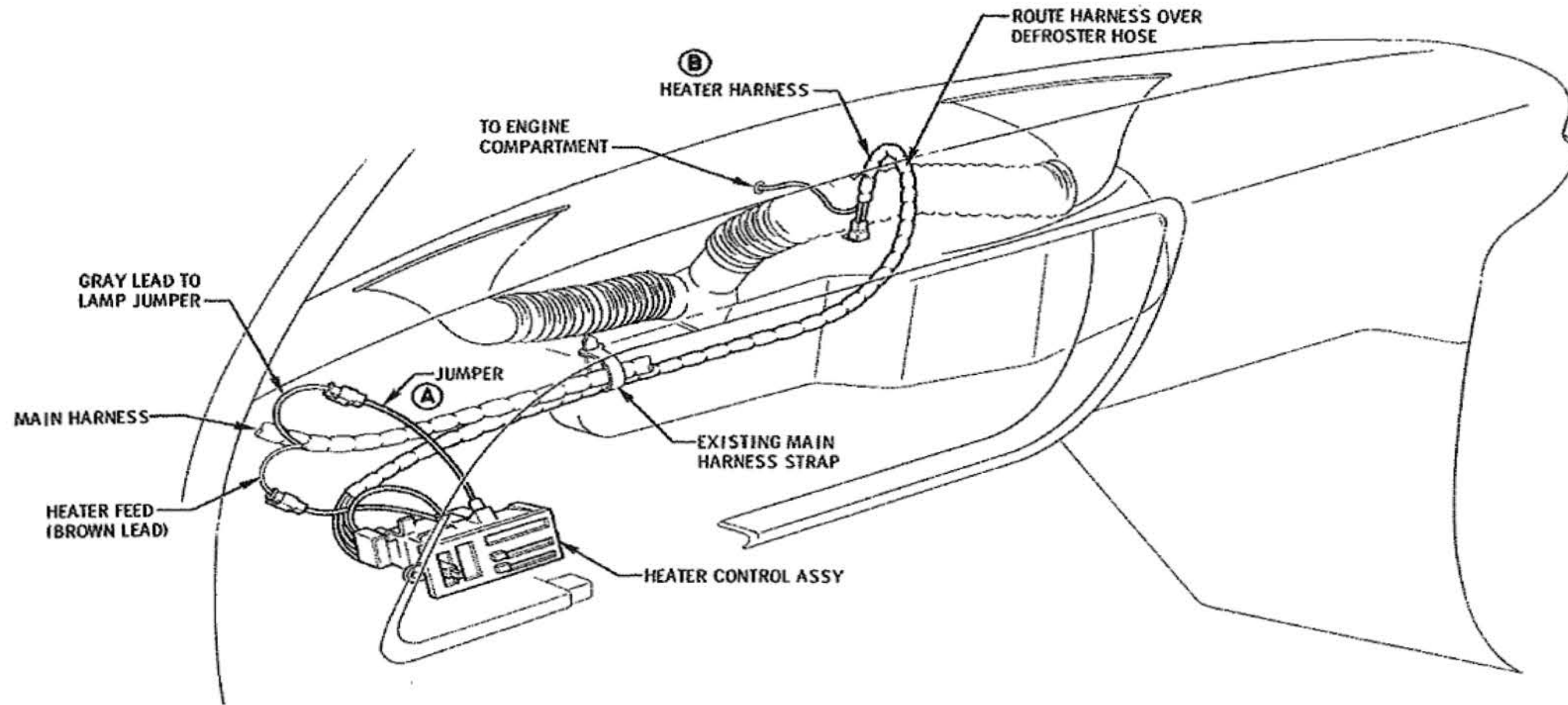
VIEW A

DATE	SYM	REVISION	DR.	CK.	DATE	SYM	REVISION	DR.	CK.	DATE	SYM	REVISION	DR.	CK.	TITLE	FIRST USED	OLDSMOBILE PRODUCT INFORMATION MANUAL	MANUAL SEC.	PAGE
															S. M. T. BACK-UP LAMP & CLUTCH SWITCH WIRING	1969		12	113
															DATE NOV. 12, 1968	REF. 12++	SERIES B	PART NO. 401901	
															DR. BY D. C. ...				
															CHECKED <i>[Signature]</i>				
															APPR. <i>[Signature]</i>				
															APPR. <i>[Signature]</i>				

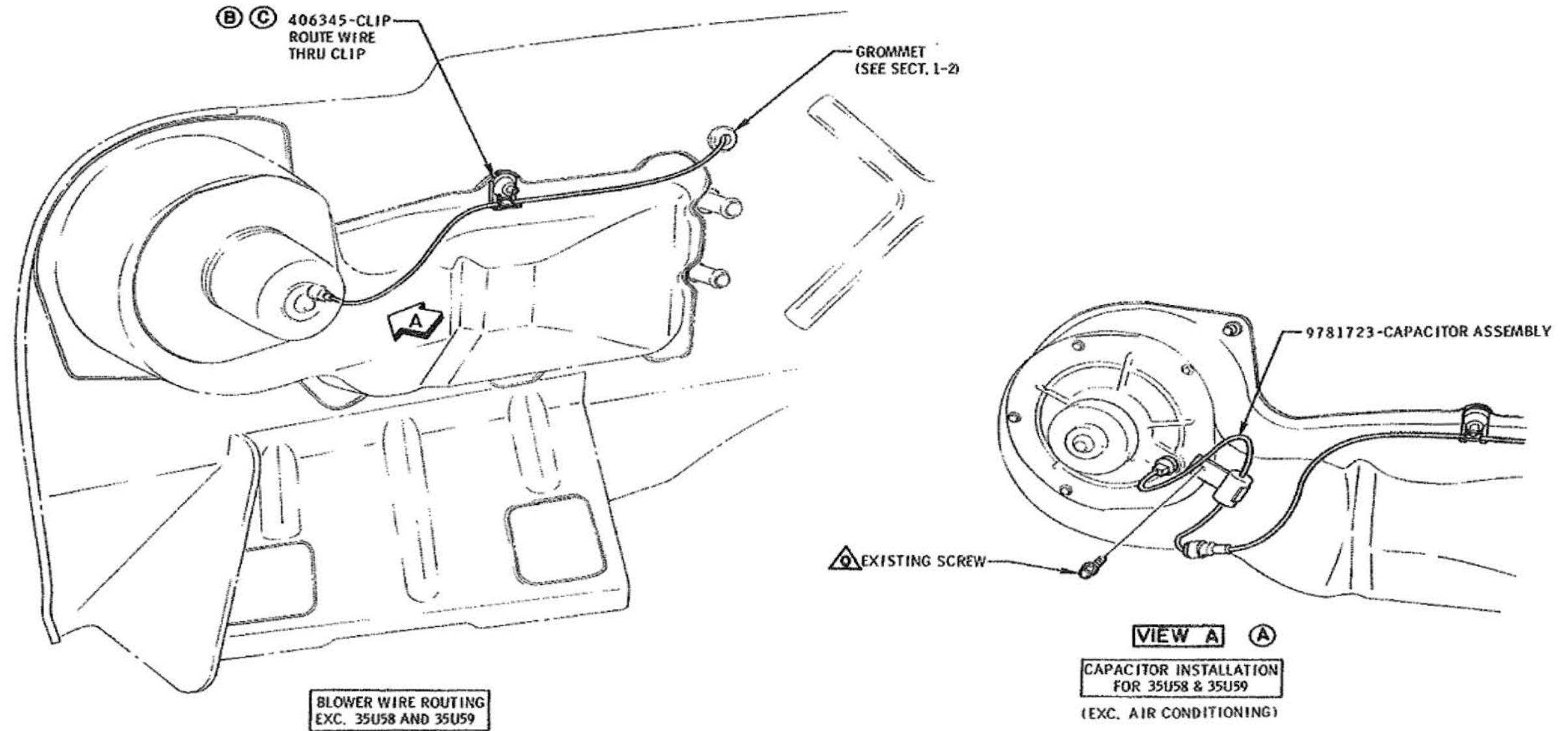


REVISIONS												TITLE							
DATE	SYM	REVISION	DR	CK	DATE	SYM	REVISION	DR	CK	DATE	SYM	REVISION	DR	CK	APP	FIRST USED	OLDSMOBILE PRODUCT INFORMATION MANUAL	MANUAL SEC.	PAGE
					7-11-68	C	WAS 9417863-506B									1969		12	115
					6-3-68	B	9417863 NO. ADDED												
					6-3-68	A	6299272 JUMPER ADDED												

TITLE																1A2C PICTORIAL WIRING DIAGRAM							
DATE																APR 6 1968	FIRST USED	1969	OLDSMOBILE PRODUCT INFORMATION MANUAL	MANUAL SEC.	12	PAGE	115
DR. BY																P. LORATELLI	REF. 1012	SERIES	B-C	FART NO.	401901		
CHECKED																J. B. ...							
APP.																J. B. ...							

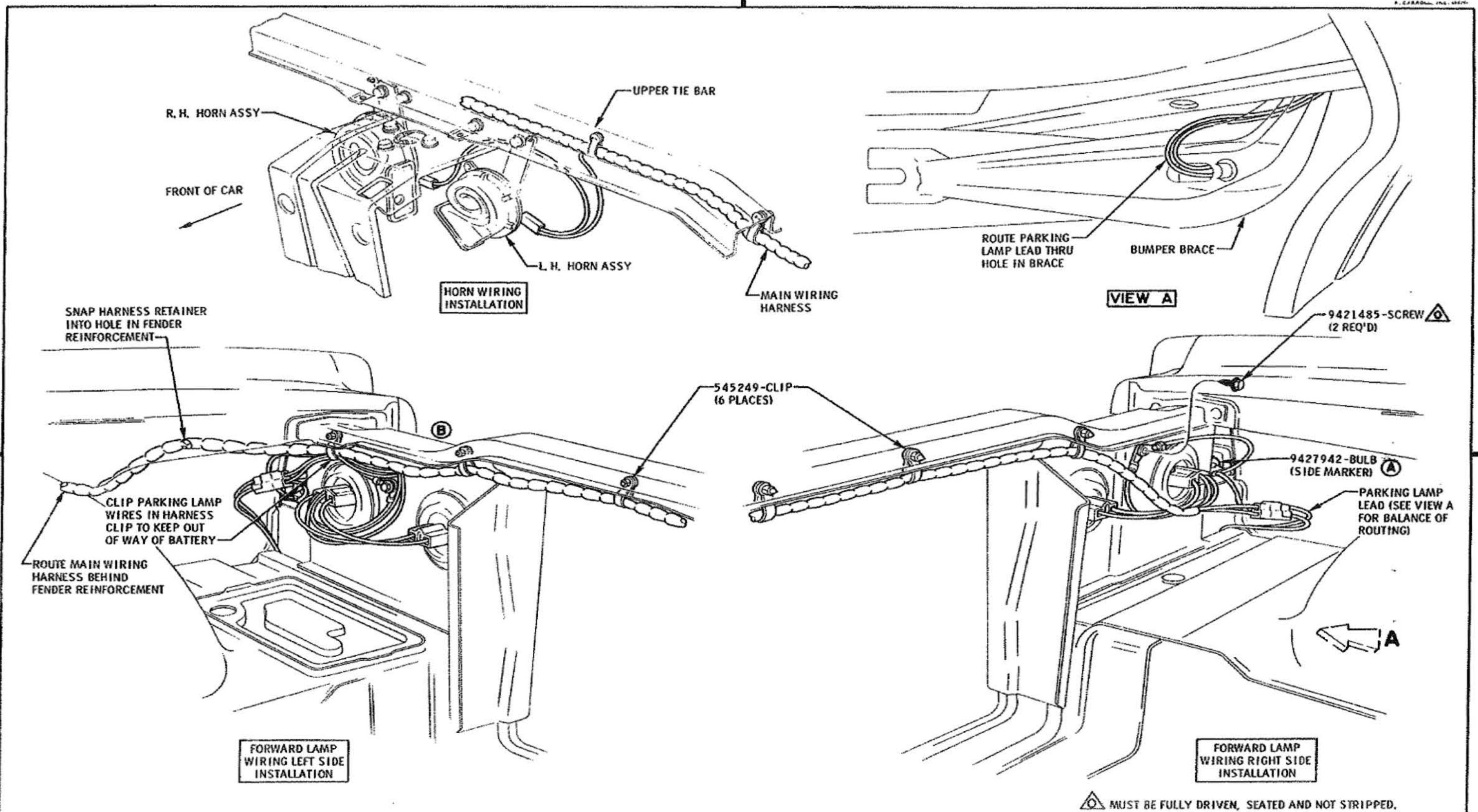


DATE	SYM	REVISION	DR.	CK.	DATE	SYM	REVISION	DR.	CK.	DATE	SYM	REVISION	DR.	CK.	DATE	SYM	REVISION	DR.	CK.	TITLE	FIRST USED	OLDSMOBILE PRODUCT INFORMATION MANUAL	MANUAL SEC.	PAGE
																				IA2C ROUTING (INSIDE CAR)	1969	12	116	
					2-19-69	B	PART NO. REMOVED													CHECKED				
					6-9-68	A	WIRING REVISED													APPR.				
																				APPR.				
																					REF.	SERIES	PART NO.	
																						B-C	401901	

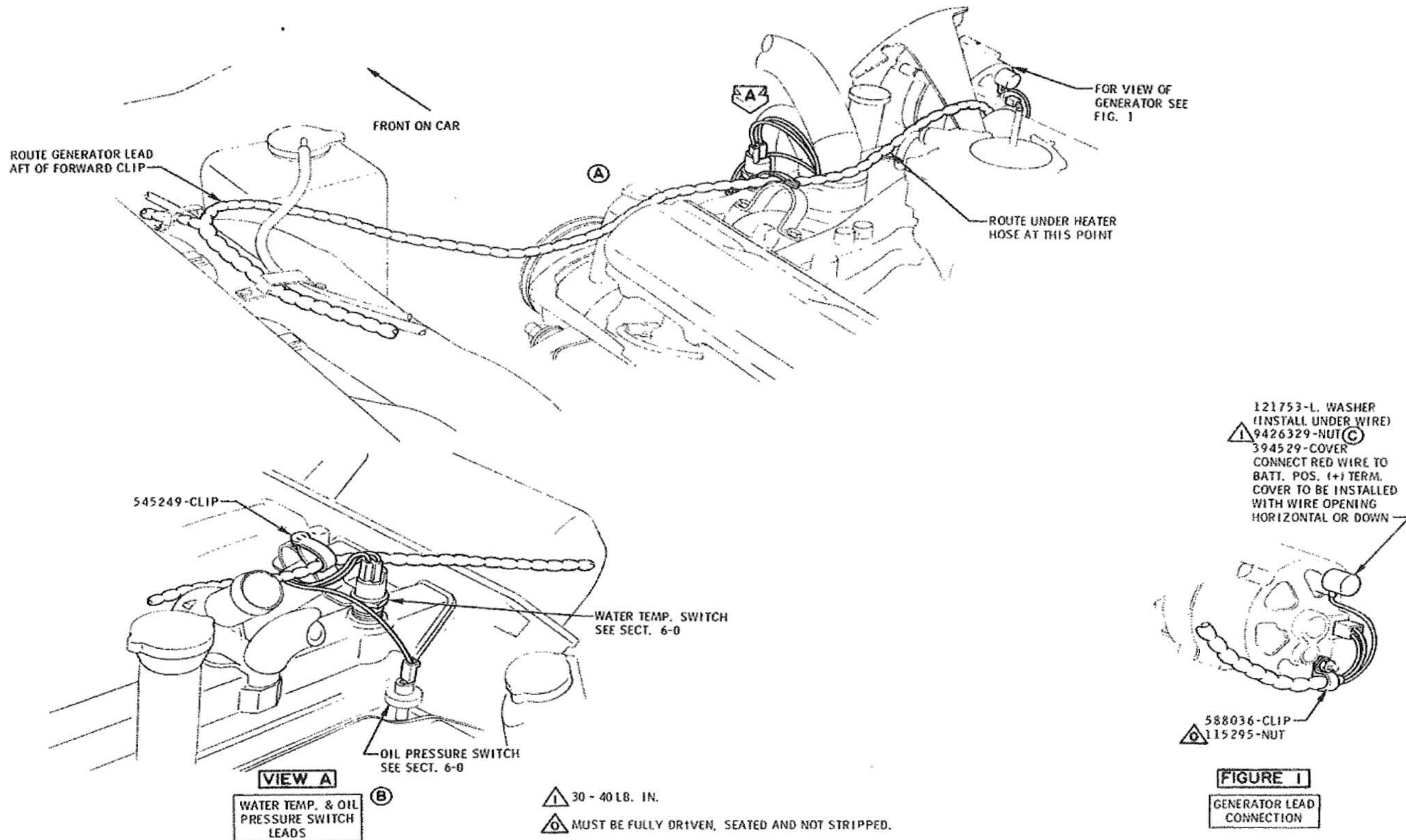


⚠ MUST BE FULLY DRIVEN, SEATED AND NOT STRIPPED.

DATE	SYM	REVISION	DR.	CK.	DATE	SYM	REVISION	DR.	CK.	DATE	SYM	REVISION	DR.	CK.	TITLE	FIRST USED	OLDSMOBILE PRODUCT INFORMATION MANUAL	MANUAL SEC.	PAGE	PART NO.
															1A2C ENGINE COMPARTMENT WIRING	1969		12	117	
					8-10-69	C	406345 CLIP DIMED								DATE APR 5 1968					
					3-8-69	B	NOTE REVISED								DR. BY DC H. MEDAL					
					8-9-68	A	VIEW ADDED								CHECKED					
															APPR. <i>SCHATTENBERG</i>	REF. 1-2-C	SERIES			
															APPR. <i>Walt</i>		B-C			401901



TITLE										FORWARD LAMP WIRING			
DATE	APR. 5, 1968	FIRST USED	1969	OLDSMOBILE PRODUCT	MANUAL SEC.	12	PAGE	130					
DR. BY	D. C. HIMEBAUM	CHECKED	J. W.	REF.	12 K	SERIES	B-C	PART NO.	401901				
DATE	6-27-68	REVISION	B BACKGROUND REVISED	DR. CK.		DATE	5-8-68	REVISION	A 9427942 BULB ADDED	DR. CK.			



								TITLE		GENERATOR WIRING				
								DATE	APR. 5, 1968	FIRST USED	1969	OLDSMOBILE PRODUCT INFORMATION MANUAL	MANUAL SEC.	PAGE
													12	131
								CHECKED	<i>[Signature]</i>	REF.	12-61	SERIES	B-C	PART NO.
								APPROVED	<i>[Signature]</i>					401901
DATE	SYM	REVISION	DR.	CK.	DATE	SYM	REVISION	DR.	CK.	DATE	SYM	REVISION	DR.	CK.

(E) FUSIBLE LINK

TO REPAIR A DAMAGED FUSIBLE LINK, REPLACE WITH 6300141 - FUSIBLE LINK.
WHEN REPLACING A FUSIBLE LINK USE 1839906 - SPLICE CLIP,
SOLDER AND TAPE JOINT FOR SHORTING AND CORROSION PROTECTION.
CLIP MUST BE CRIMPED. STAKE-ON REPAIR IS UNACCEPTABLE.

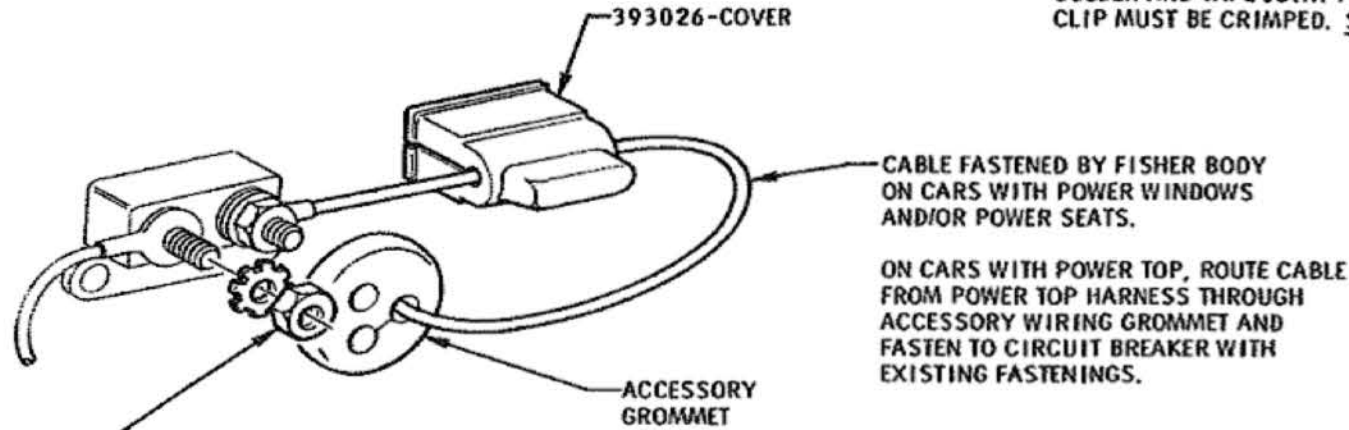


FIGURE 1

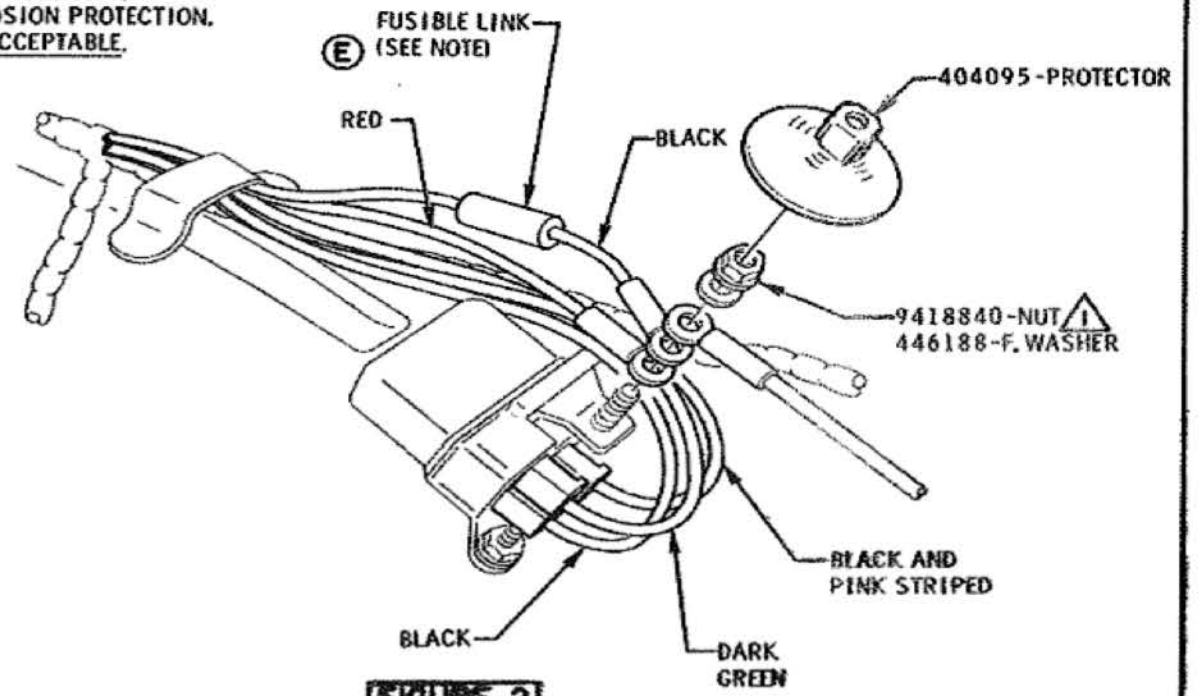


FIGURE 2

⚠ I20361-NUT
138479-L. WASHER

(D) STRAP-GENERATOR & FORWARD
LAMP HARNESS TO
ENGINE HARNESS
(SEE PAGE 133 FOR
PART NUMBER)

ENGINE
HARNESS

⚠ 32 - 48 LB. IN.
⚠ MUST BE FULLY DRIVEN, SEATED AND NOT STRIPPED.

CIRCUIT BREAKER
(FISHER INSTALLED)
SEE FIG. 1

401504-CLIP

6297499-HARNESS ASSY
GENERATOR & FORWARD LAMP
(CODE KK) **(C)**

SEE FIG. 2 FOR
CONNECTING
HARNESS TO
JUNCTION BLOCK

403106-CLIP
(3 REQ'D)

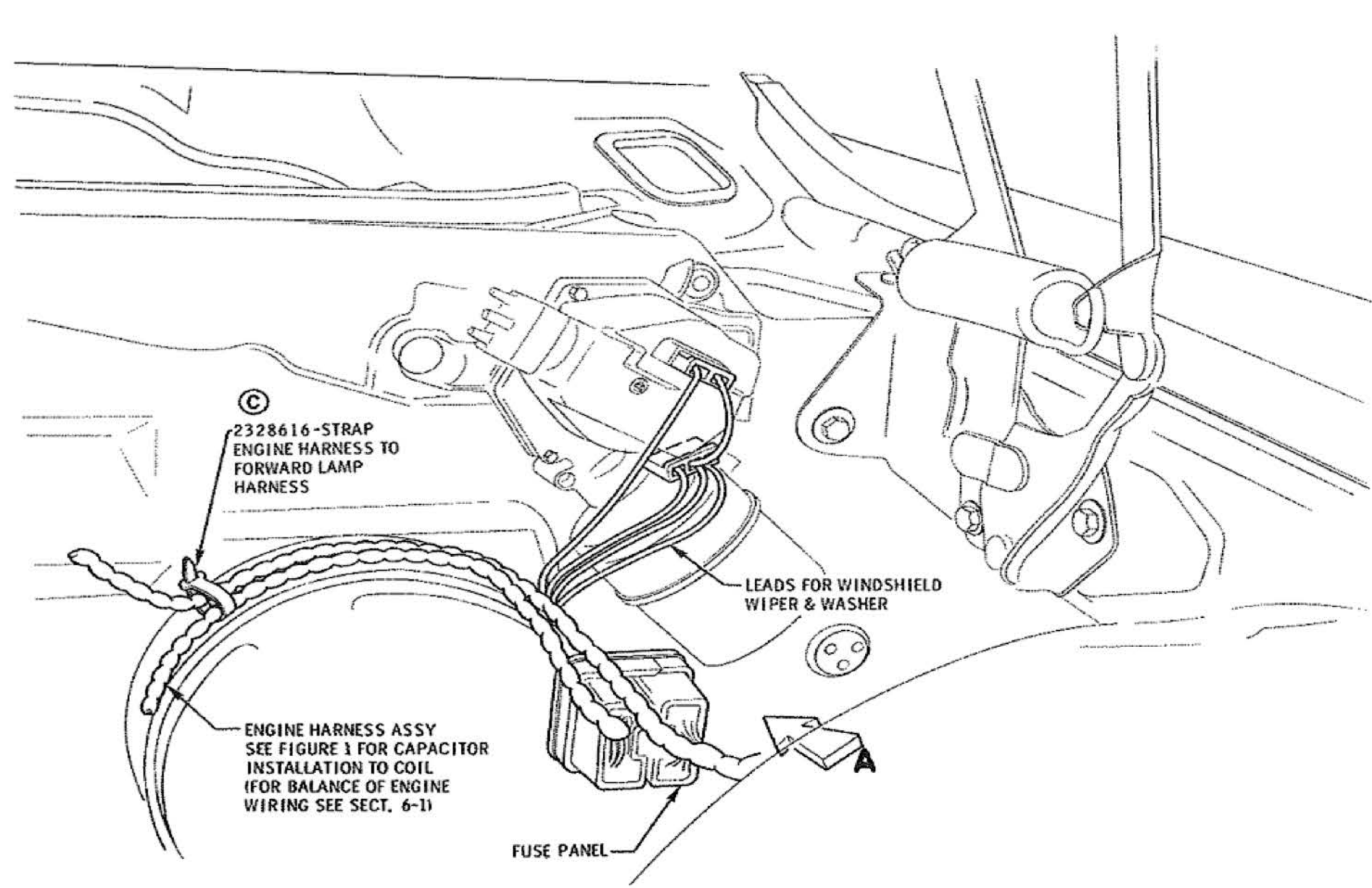
SEE PAGE 131
FOR GENERATOR WIRING

SEE PAGE 130
FOR HEADLAMP
& HORN WIRE
ROUTING

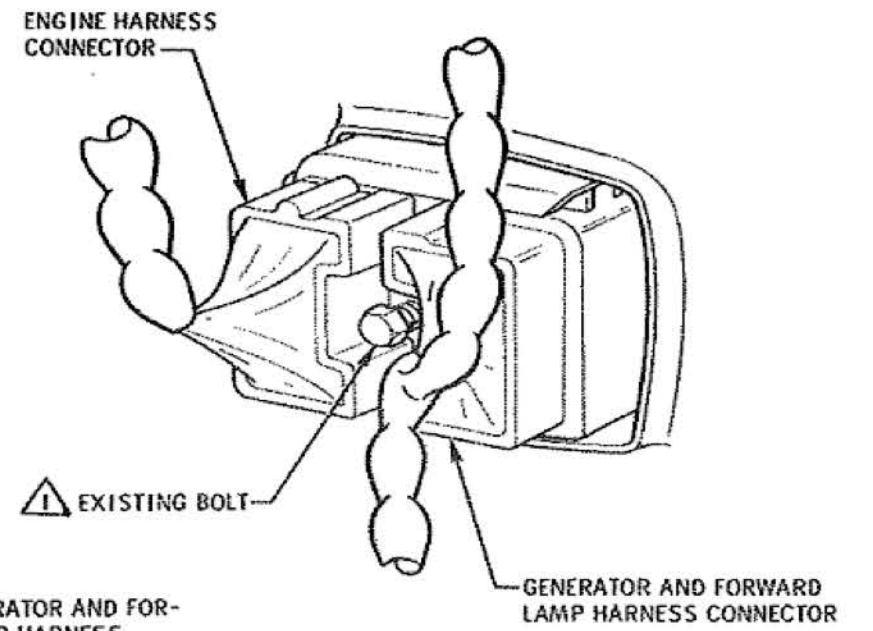
6297862-CABLE ASSY
JUNCTION BLOCK TO
CIRCUIT BREAKER (POWER
TOP AND/OR SEATS & WINDOWS)

DATE	SYM	REVISION	DR.	CK.	DATE	SYM	REVISION	DR.	CK.	DATE	SYM	REVISION	DR.	CK.	DATE	SYM	REVISION	DR.	CK.	TITLE	FIRST USED	OLDSMOBILE PRODUCT INFORMATION MANUAL	MANUAL SEC.	PAGE
					9-18-68	E	NOTES ADDED													DASH PANEL & I.H. FILLER PLATE	1969		12	132
					8/24/68	D	STRAP ADDED																	
					7-29-68	C	CODE 'KK' ADDED																	
					6-11-68	B	404095-PROTECTOR ADDED																	
					6-11-68	A	JUNCTION BLK REVISED																	

SERIES **B-C**
PART NO. **401901**



WINDSHIELD WIPERS & FUSE PANEL



VIEW A

FASTENING OF HARNESSES TO FUSE BLOCK

NOTE: SLIP GENERATOR AND FORWARD LAMP HARNESS CONNECTOR INTO ENGINE HARNESS CONNECTOR AND FASTEN TO FUSE PANEL WITH EXISTING BOLT.

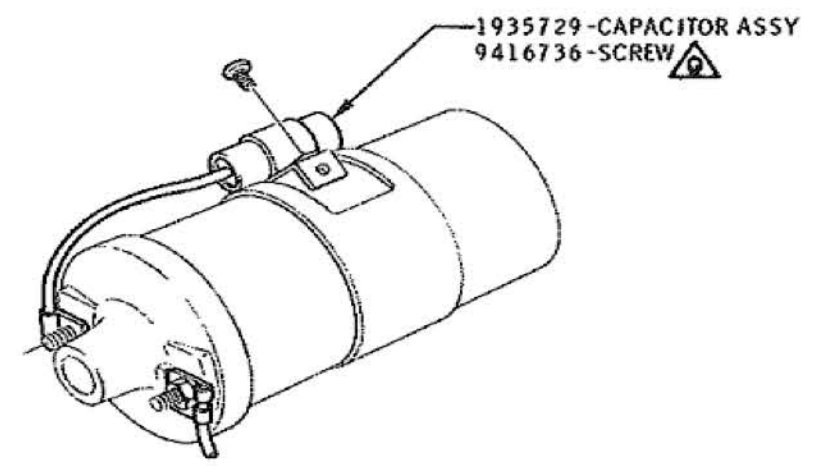
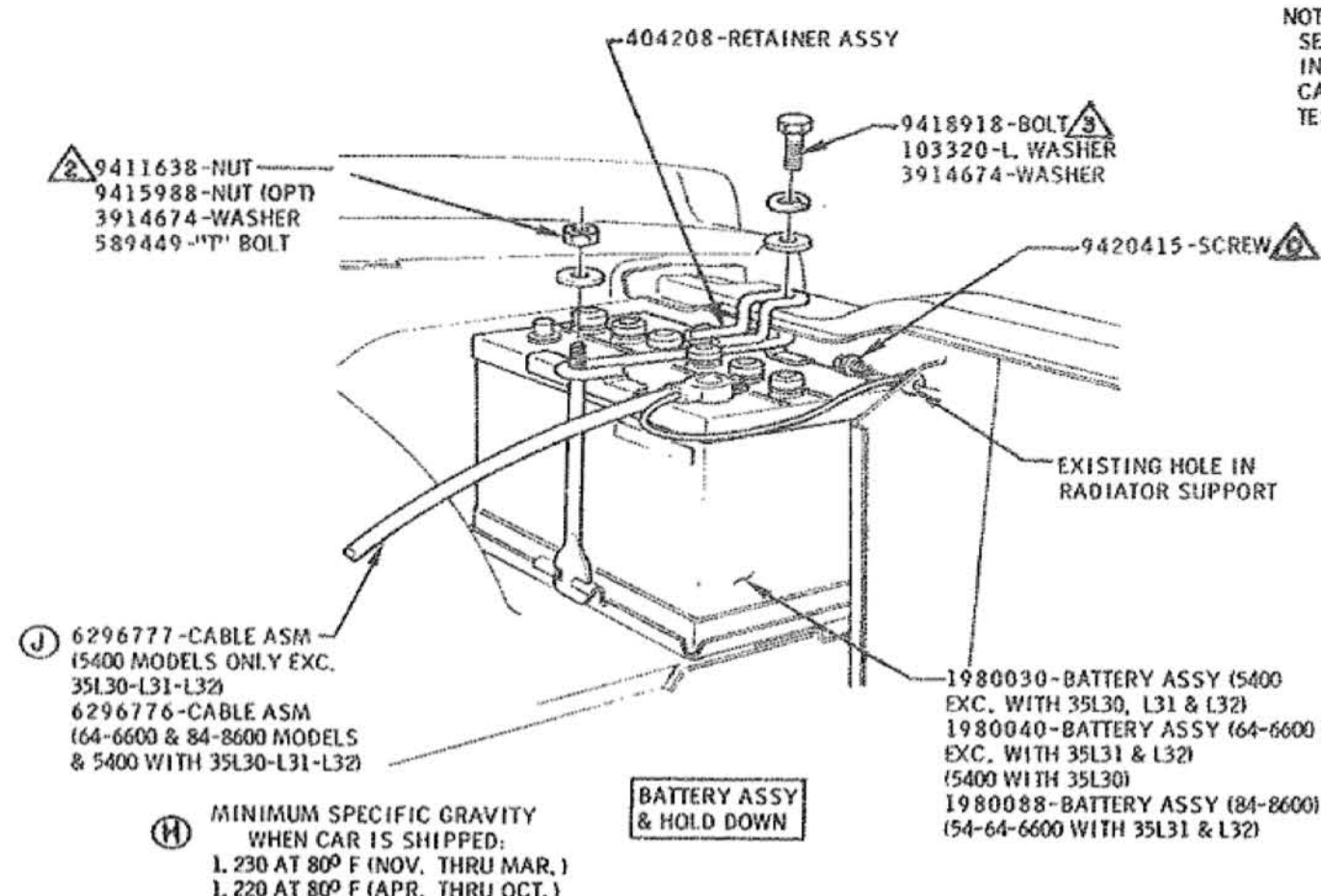
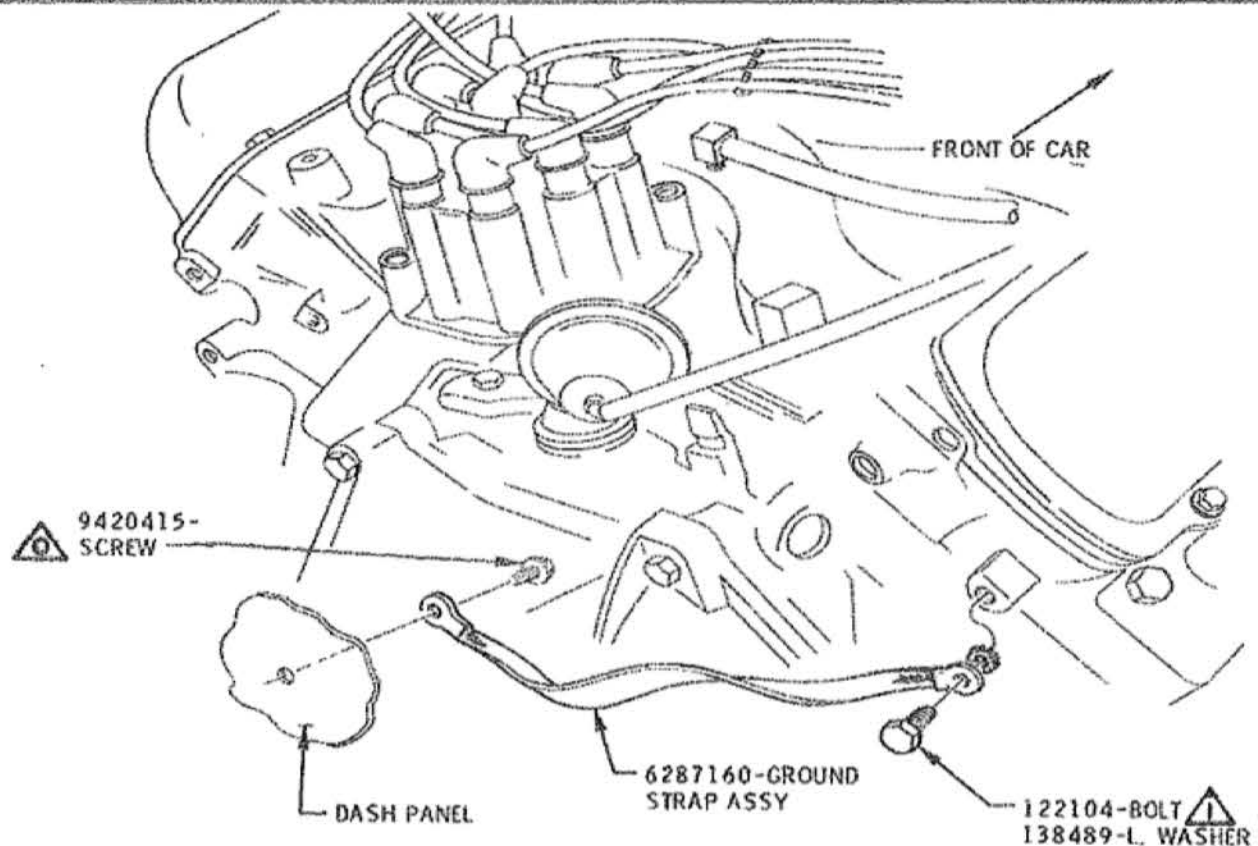


FIGURE 1

INSTALLATION OF CAPACITOR TO COIL

(A) 50 - 70 LB. IN.
 MUST BE FULLY DRIVEN, SEATED AND NOT STRIPPED

DATE	SYM	REVISION	DR.	CK.	DATE	SYM	REVISION	DR.	CK.	DATE	SYM	REVISION	DR.	CK.	TITLE	FIRST USED	OLDSMOBILE PRODUCT INFORMATION MANUAL	MANUAL SEC.	PAGE
															ENGINE HARNESS	1969		12	133
					8-29-68	C	2328616 STRAP ADDED								DATE APR. 5, 1968	REF. 12H			
					1-29-68	B	VIEW ADDED								CHECKED				
					8-15-68	A	TORQUE RELEASED								APPR. <i>[Signature]</i>		SERIES B-C		PART NO. 401901



NOTE:
SEE PAGE 135 FOR
INSTALLATION OF
CABLES TO BATTERY
TERMINALS

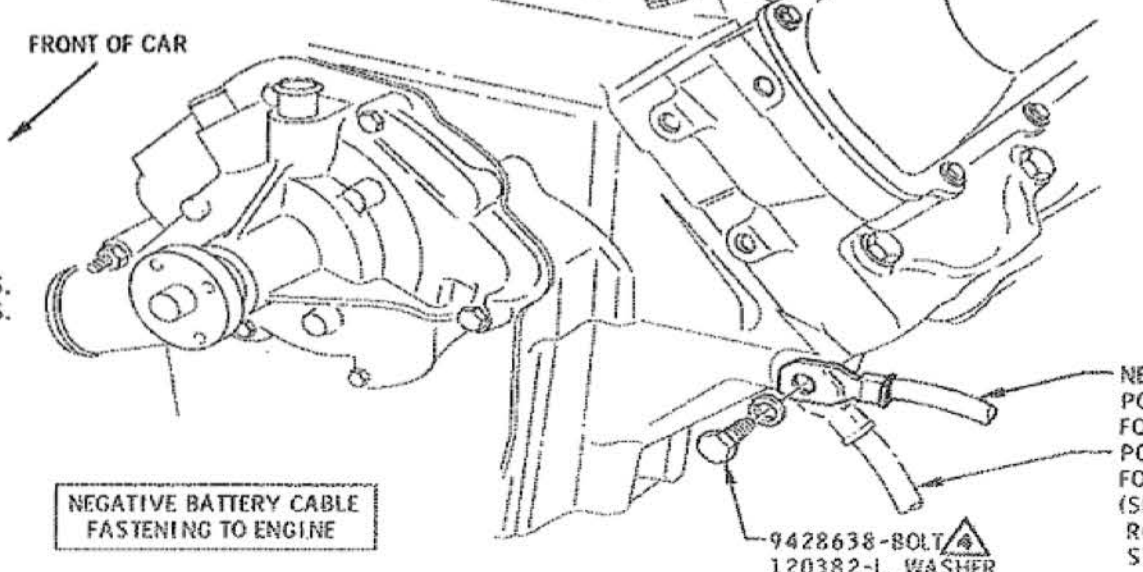
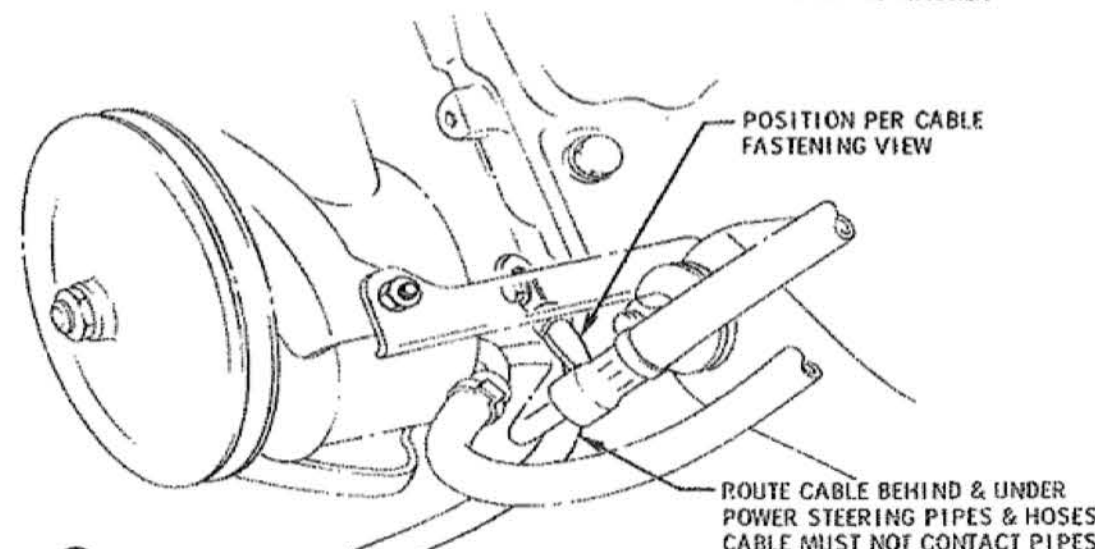


FIGURE 1
CABLE ROUTING FOR CARS WITH POWER STEERING
(455 CU. IN. ENGINE SHOWN, 350 ENGINE SIMILAR)

- ④ 25 - 35 LB. FT.
- ③ 8 - 12 LB. FT.
- ② 40 - 50 LB. IN.
- ① 20 - 30 LB. FT.
- ⑤ MUST BE FULLY DRIVEN, SEATED AND NOT STRIPPED.

REVISIONS					TITLE					BATTERY & CABLE - ENGINE GROUND				
DATE	SYM	REVISION	DR.	CK.	DATE	SYM	REVISION	DR.	CK.	DATE	FIRST USED	OLDSMOBILE PRODUCT INFORMATION MANUAL	MANUAL SEC.	PAGE
					3-6-69	J	VIEW REMOVED			APR. 24, 1969	1969		12	134
					7-26-68	D	NOTE ADDED							
					1-9-69	U	NOTE ADDED							
					10-23-68	G	TORQUE ADDED							
					10-17-68	F	WASHER RELOCATED							
					9-2-68	E	VIEW REMOVED							
					7-26-68	D	NOTE ADDED							
					7-26-68	C	WAS 40-50 LB. FT.							
					6-26-68	B	WAS 1028224 CLAMP							
					6-26-68	A2	VIEW & CLAMP ADDED							

SERIES **B-C** PART NO. **401901**

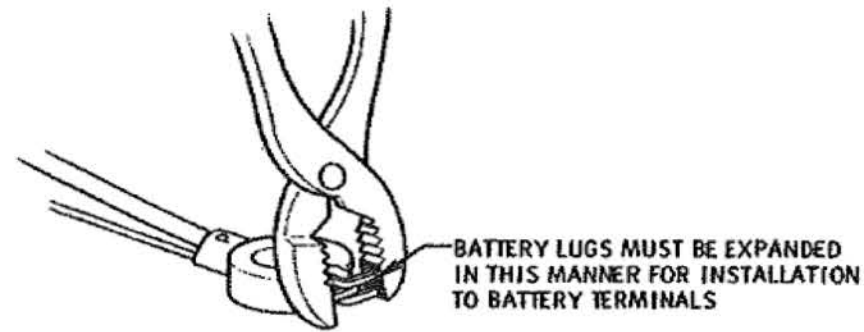
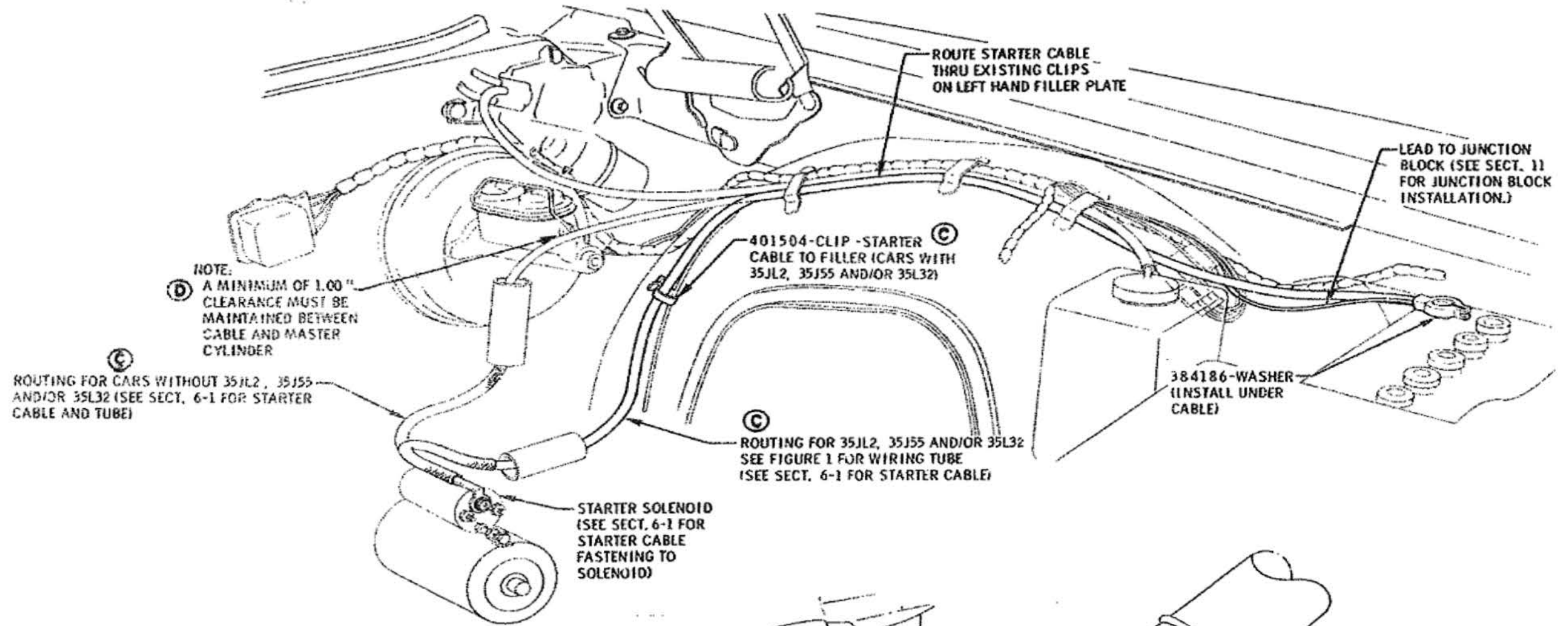


FIGURE 2
INSTALLATION OF CABLE TO BATTERY TERMINAL

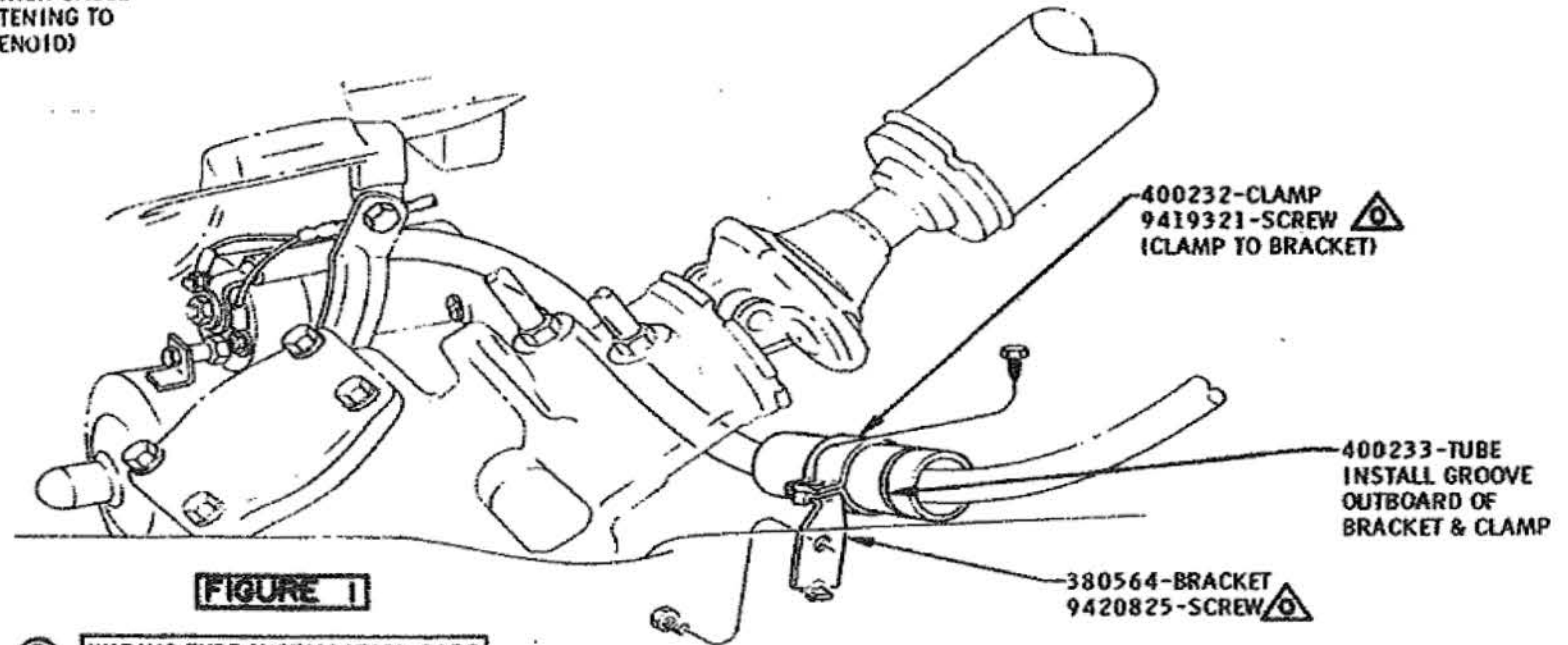
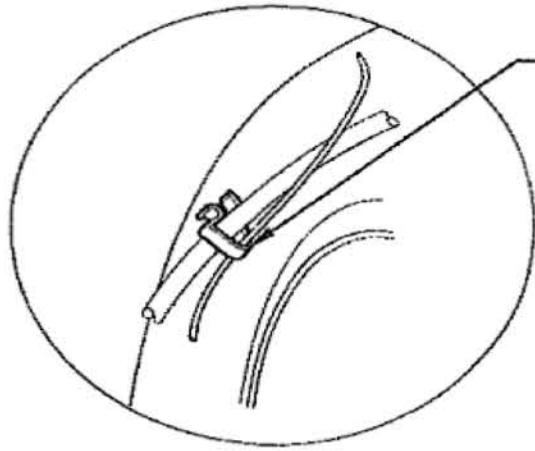


FIGURE 1
WIRING TUBE INSTALLATION CARS WITH 35JL2, 35J55 AND/OR 35L32

△ MUST BE FULLY DRIVEN, SEATED AND NOT STRIPPED.

DATE	SYM	REVISION	DR.	CK.	DATE	SYM	REVISION	DR.	CK.	DATE	SYM	REVISION	DR.	CK.	DATE	SYM	TITLE	STARTER CABLE	FIRST USED	OLDSMOBILE PRODUCT INFORMATION MANUAL	MANUAL SEC.	PAGE
					5-8-69	D	NOTE ADDED										DT	DATE APR. 17, 1968	1969		12	135
					9-5-68	C	NOTES REVISED										DT	DR. BY D. C. H. (INTERNAL USE)				
					7-24-68	B	FIG. 2 ADDED										PL DT	CHECKED <i>John</i>				
					6-12-68	A	WIRING REVISED										DT	APPR. <i>W. J. ...</i>	REF. 12	SERIES B-C	PART NO. 401901	

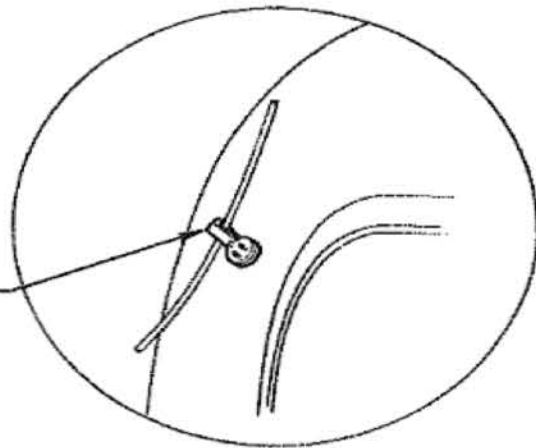


ROUTE THRU EXISTING
STARTER CABLE CLIP

FIGURE 1

FOR CARS WITH 35JL2,
35J55 AND/OR 35L32

(A)

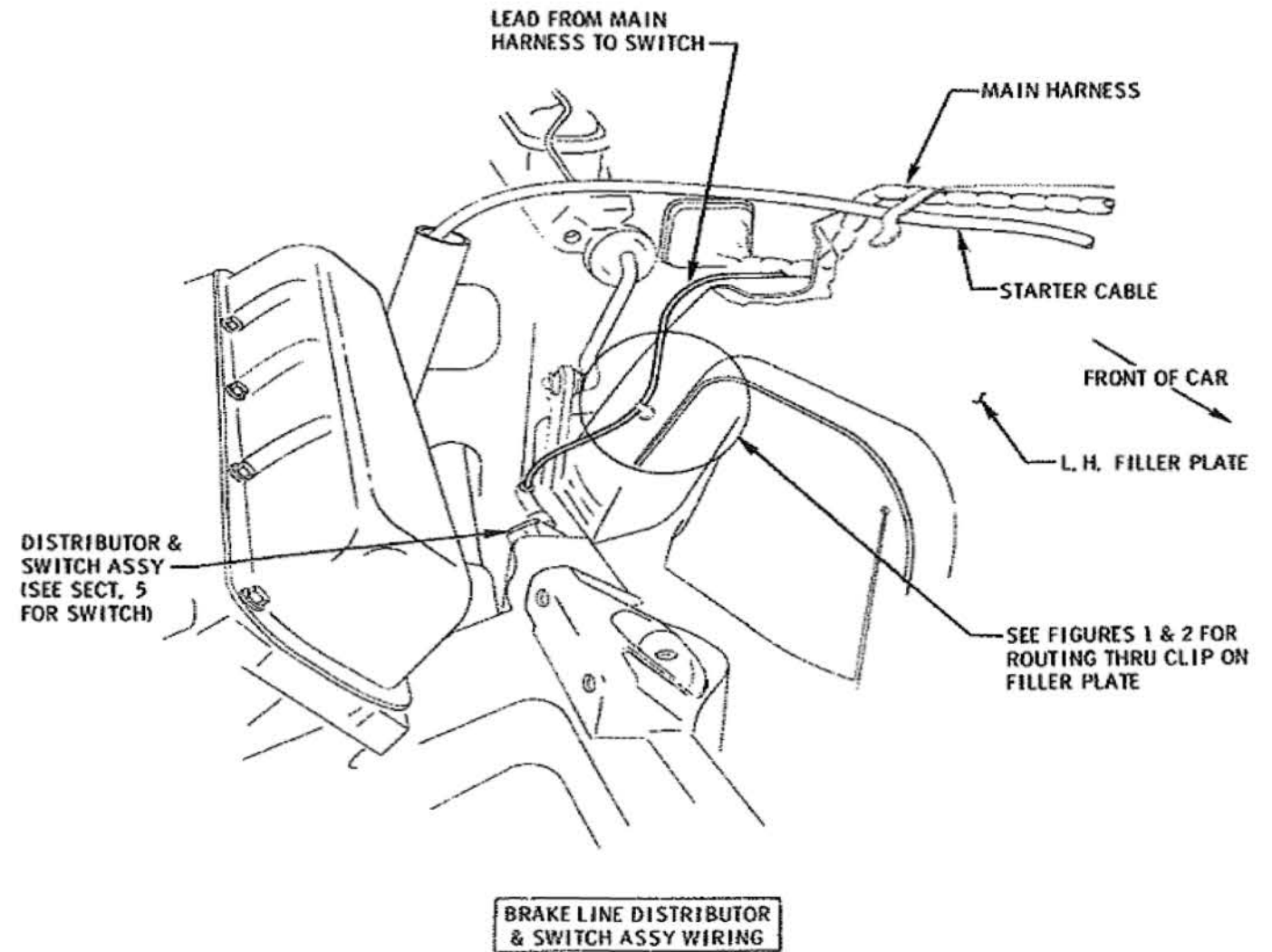


380782-CLIP

FIGURE 2

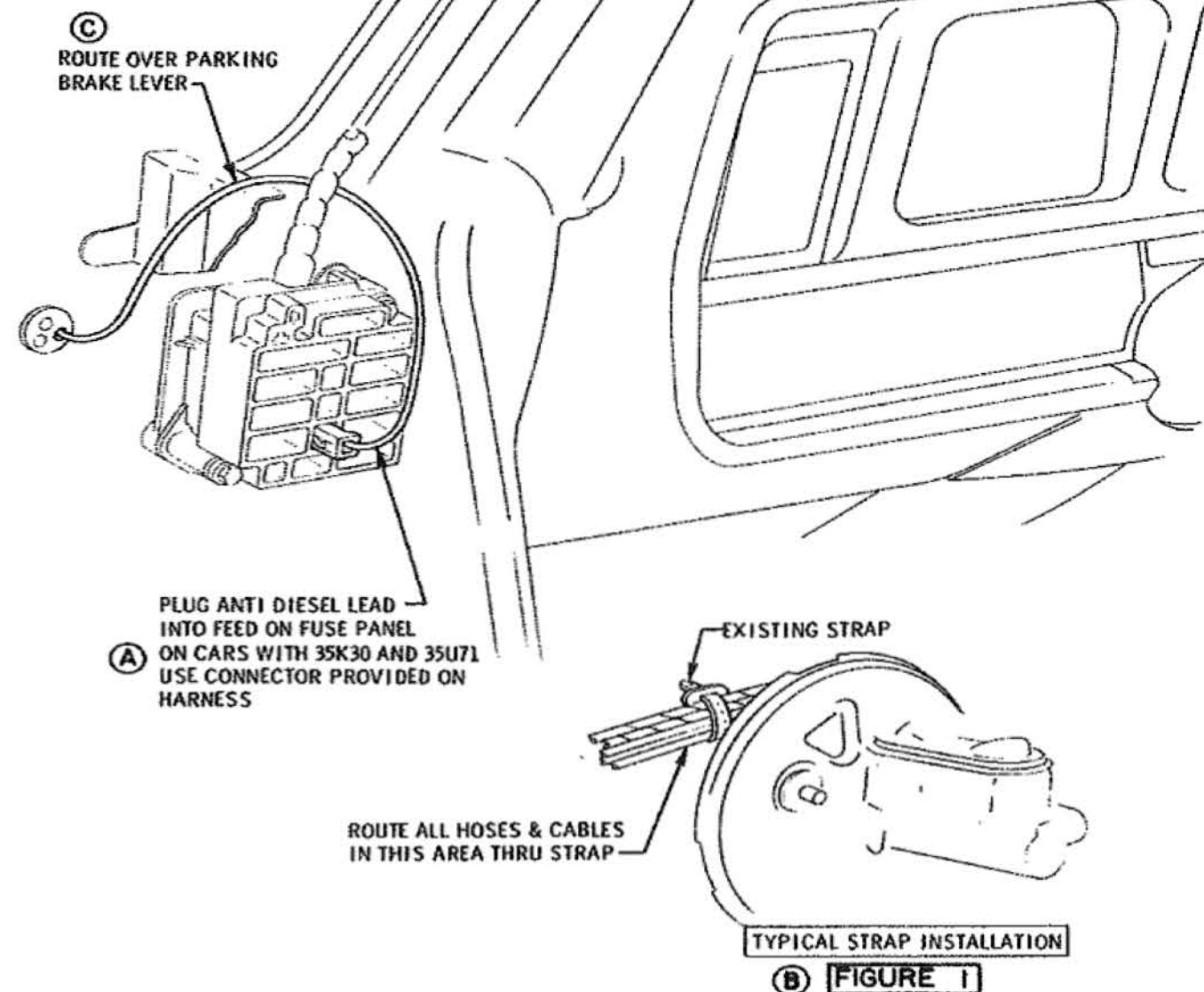
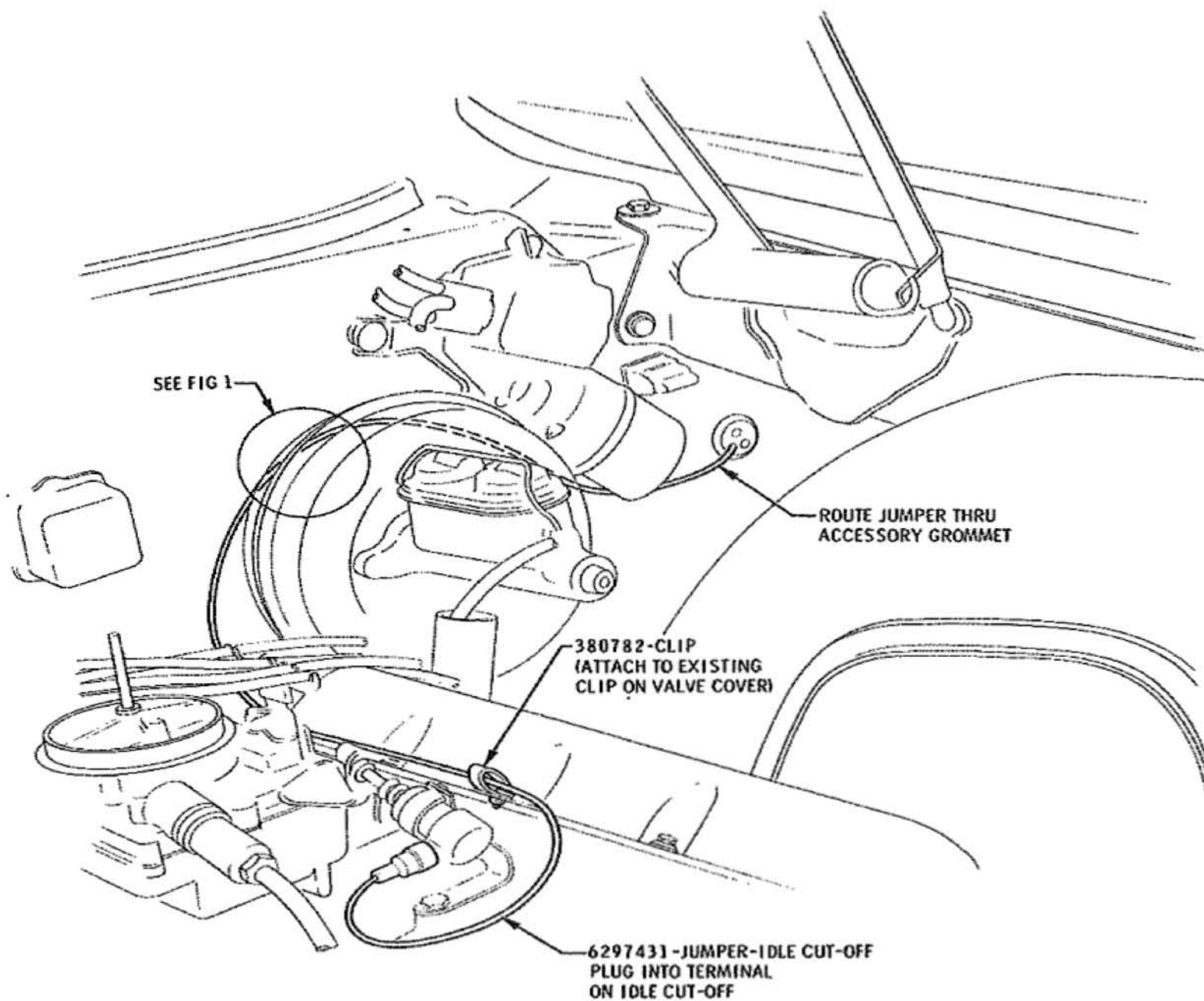
FOR CARS EXC. 35JL2,
35J55 AND/OR 35L32

(A)



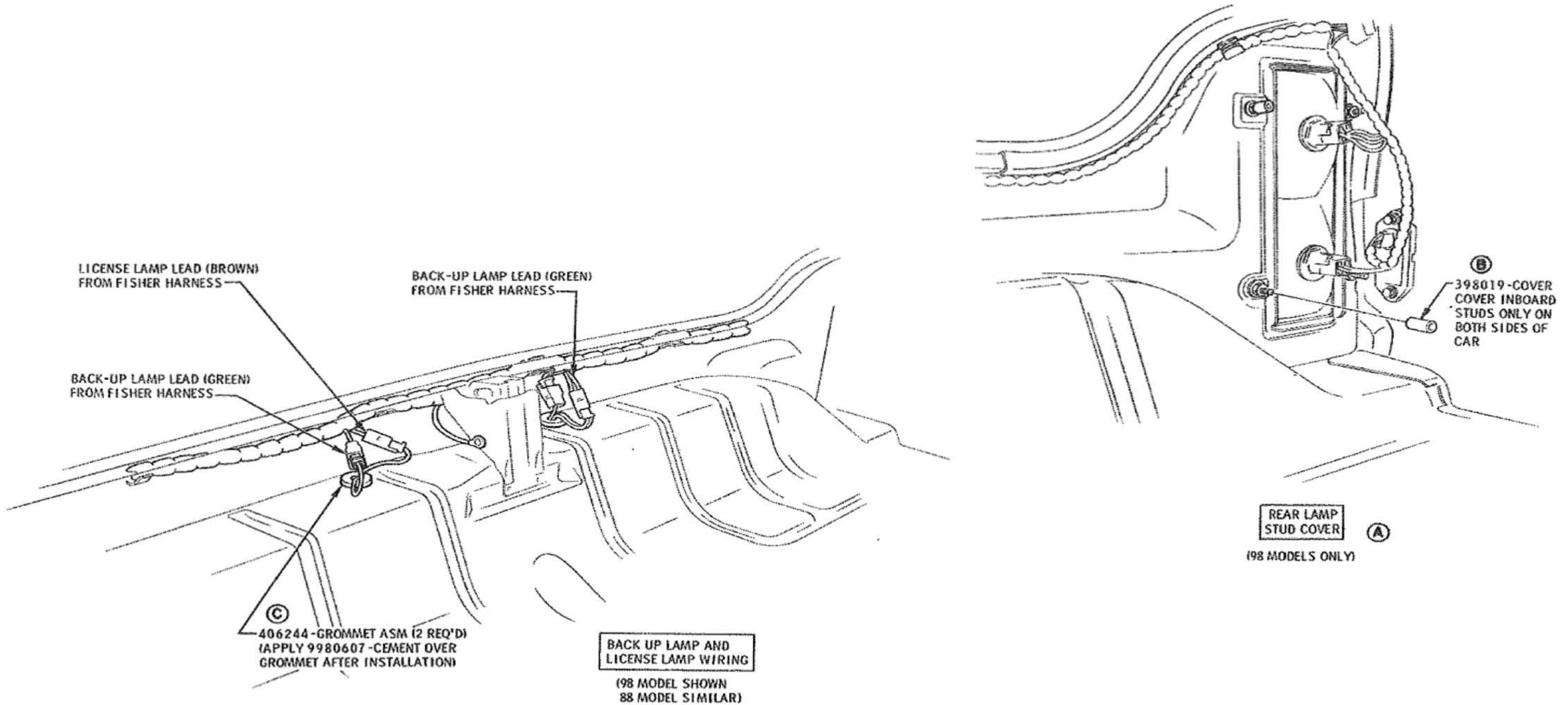
**BRAKE LINE DISTRIBUTOR
& SWITCH ASSY WIRING**

DATE	SYM	REVISION	DR.	CK.	DATE	SYM	REVISION	DR.	CK.	DATE	SYM	REVISION	DR.	CK.	DATE	SYM	REVISION	DR.	CK.	TITLE	FIRST USED	OLDSMOBILE PRODUCT INFORMATION MANUAL	MANUAL SEC.	PAGE
																				MAIN HARNESS (BRAKE SWITCH & DISTRIBUTOR LEAD)	1969	12	136	
																					REF.	SERIES	PART NO.	
																						B-C	401901	

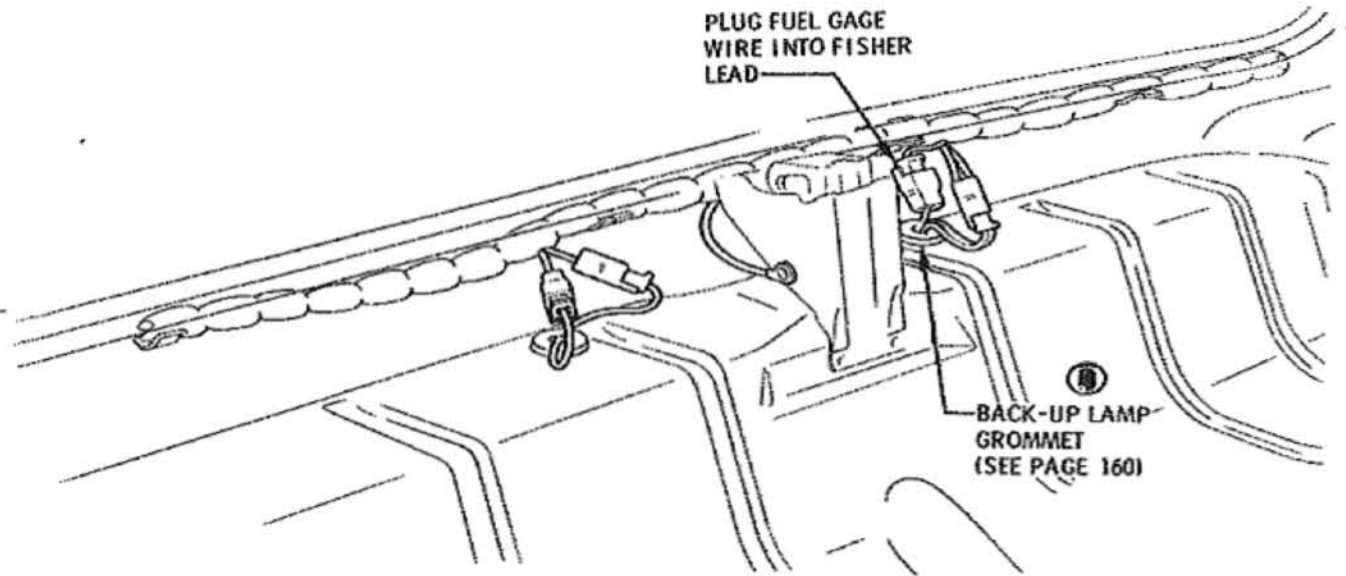


(350 CU. IN. ENGINE)

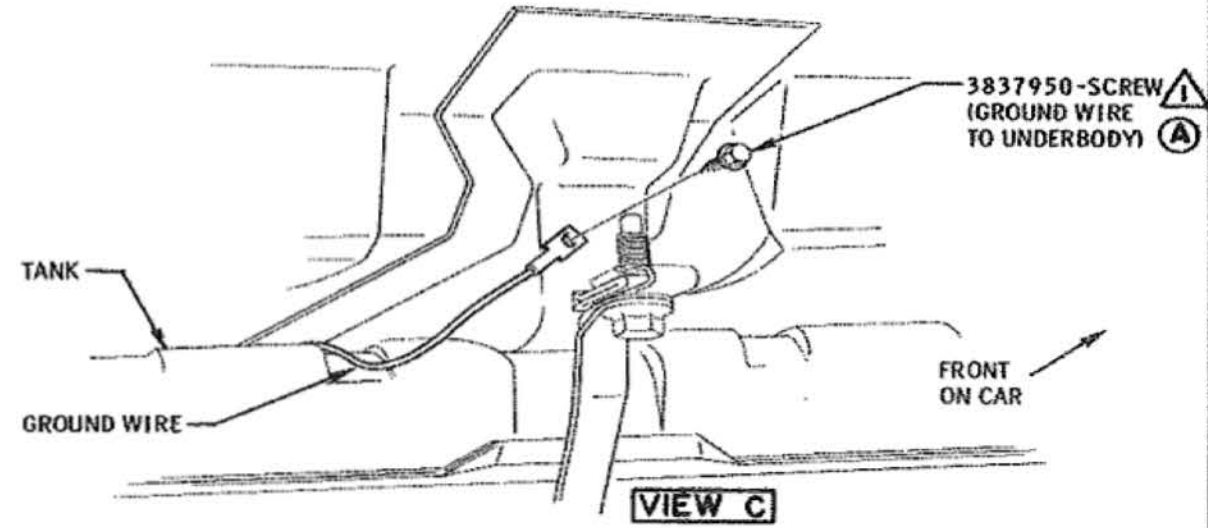
DATE	SYH	REVISION	DR.	CK.	DATE	SYM	REVISION	DR.	CK.	DATE	SYM	REVISION	DR.	CK.	DATE	SYM	TITLE	IDLE CUT-OFF WIRING	FIRST USED	OLDSMOBILE PRODUCT INFORMATION MANUAL	MANUAL SEC.	PAGE		
					11-12-68	C	ROUTING REVISED												MAY 10, 1968	1969		12	140	
					8-24-68	B	FIG 1 ADDED																	
					7-10-68	A	NOTE REVISED																	
																					SERIES	PART NO.	401901	



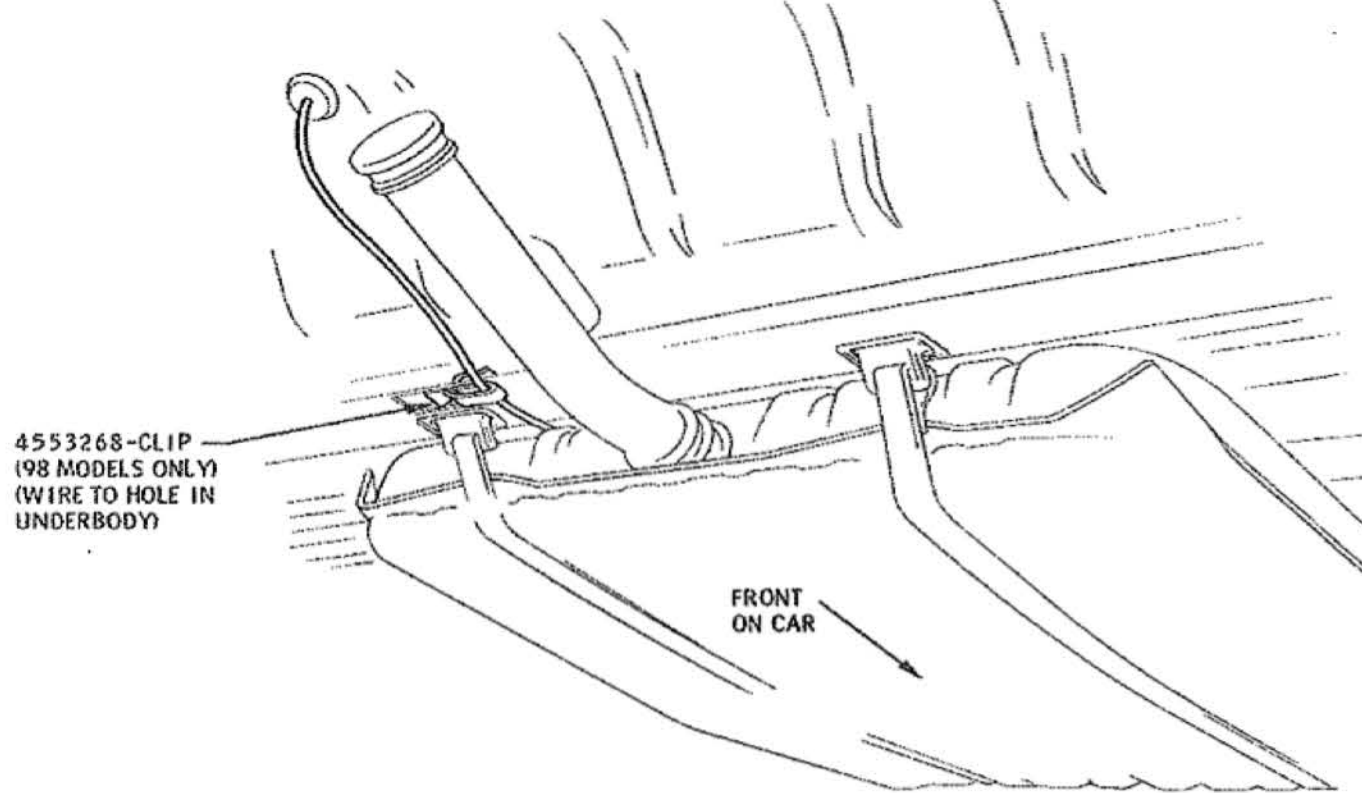
DATE	SYM	REVISION	DR.	CK.	DATE	SYM	REVISION	DR.	CK.	DATE	SYM	REVISION	DR.	CK.	DATE	SYM	REVISION	DR.	CK.	TITLE	FIRST USED	OLDSMOBILE PRODUCT INFORMATION MANUAL	MANUAL SEC.	PAGE
																				BACK-UP & LICENCE LAMP WIRING - REAR LAMP STUD COVER	1969	12	160	
					3-14-68	E	WAS-222052-GROMMET																	
					10-9-68	B	NOTE REVISED																	
					8-2-68	A	VIEW ADDED																	
																					REF. 124	SERIES B-C	PART NO. 401901	



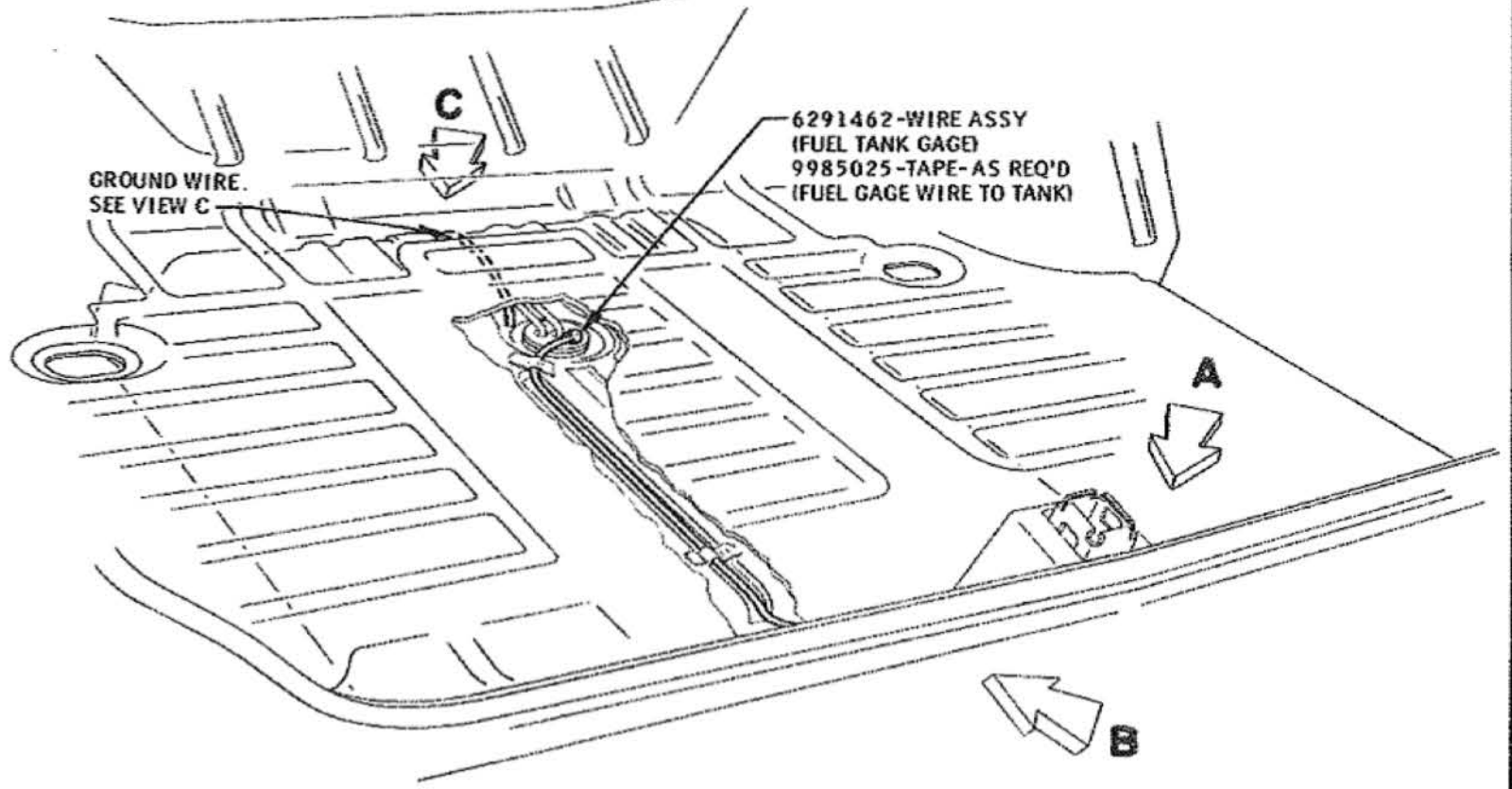
VIEW A
(98 MODEL SHOWN
88 MODEL SIMILAR)



VIEW C



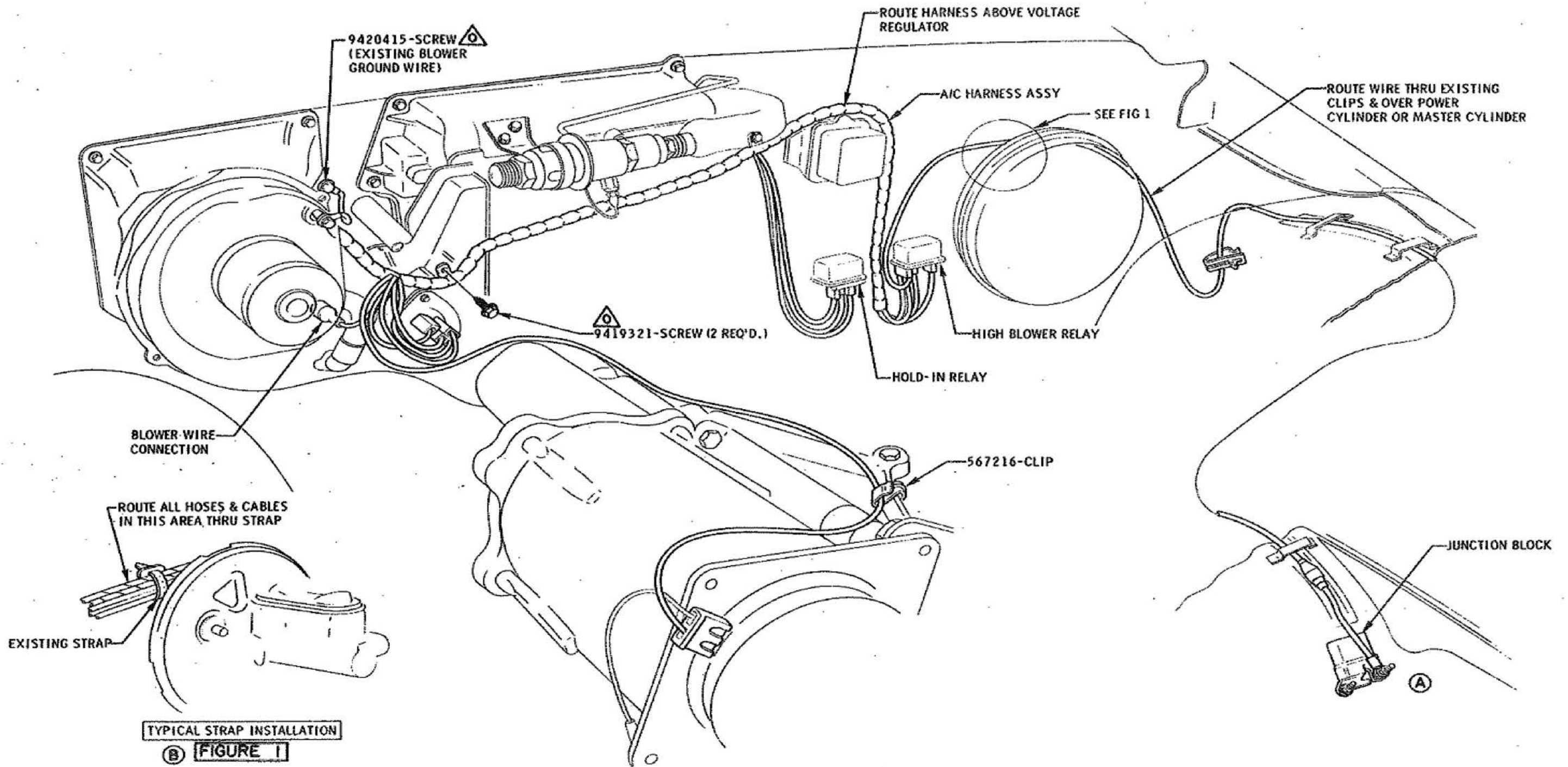
VIEW B
(98 MODEL SHOWN
88 MODEL SIMILAR)



**FUEL TANK GAGE
WIRE INSTALLATION**

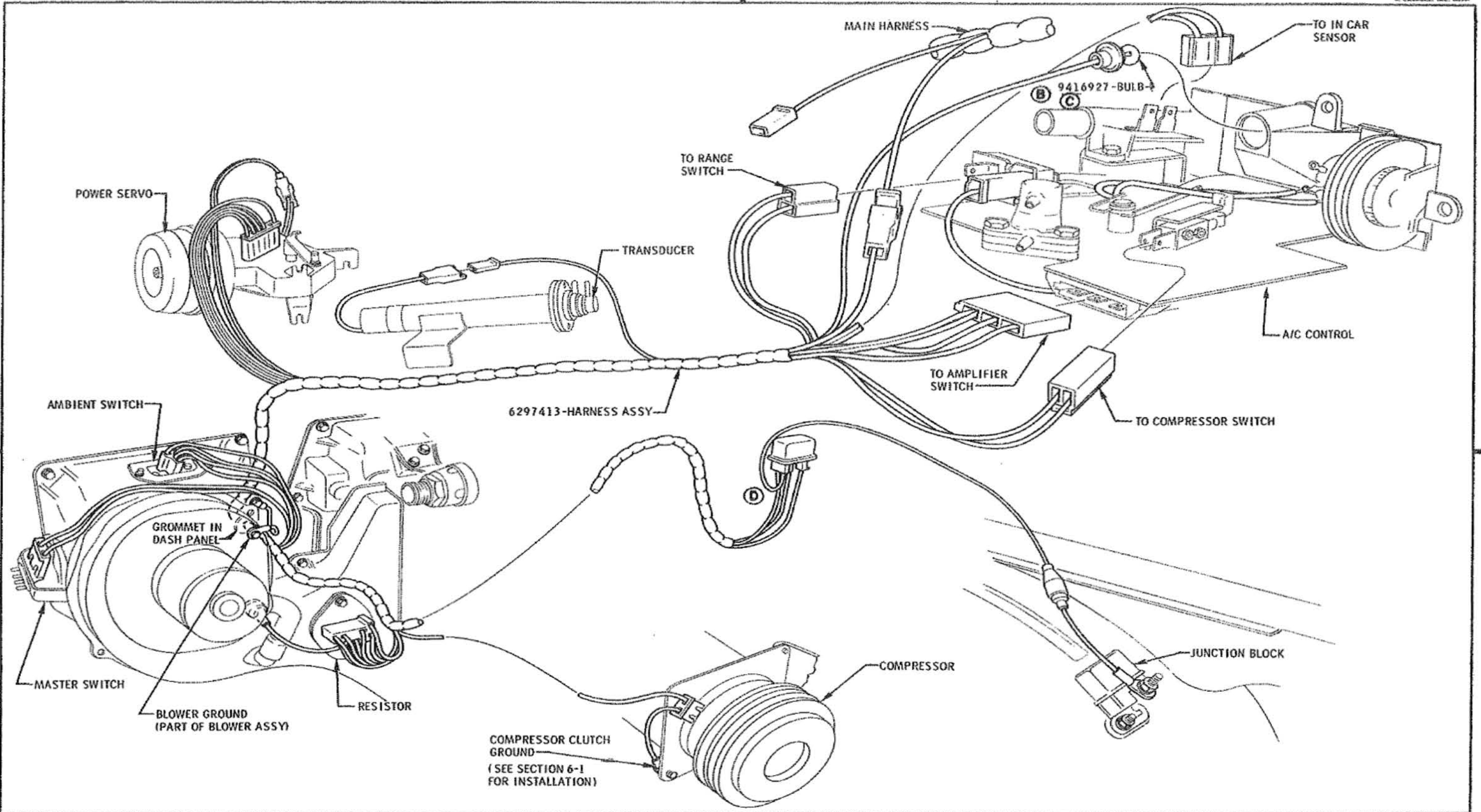
⚠ 20 - 25 LB. IN.

REVISION HISTORY										TITLE				
DATE	SYM	REVISION	DR.	CK.	DATE	SYM	REVISION	DR.	CK.	FUEL TANK GAGE WIRE INSTALLATION				
										DATE	FIRST USED	OLDSMOBILE PRODUCT INFORMATION MANUAL	MANUAL SEC.	PAGE
										APR. 27 1968	1969		12	161
										DR. BY D. C. THOMPSON				
										CHECKED				
										APPR. J. H. [Signature]	REF.	SERIES	PART NO.	
										4/30/68		B-C	401901	

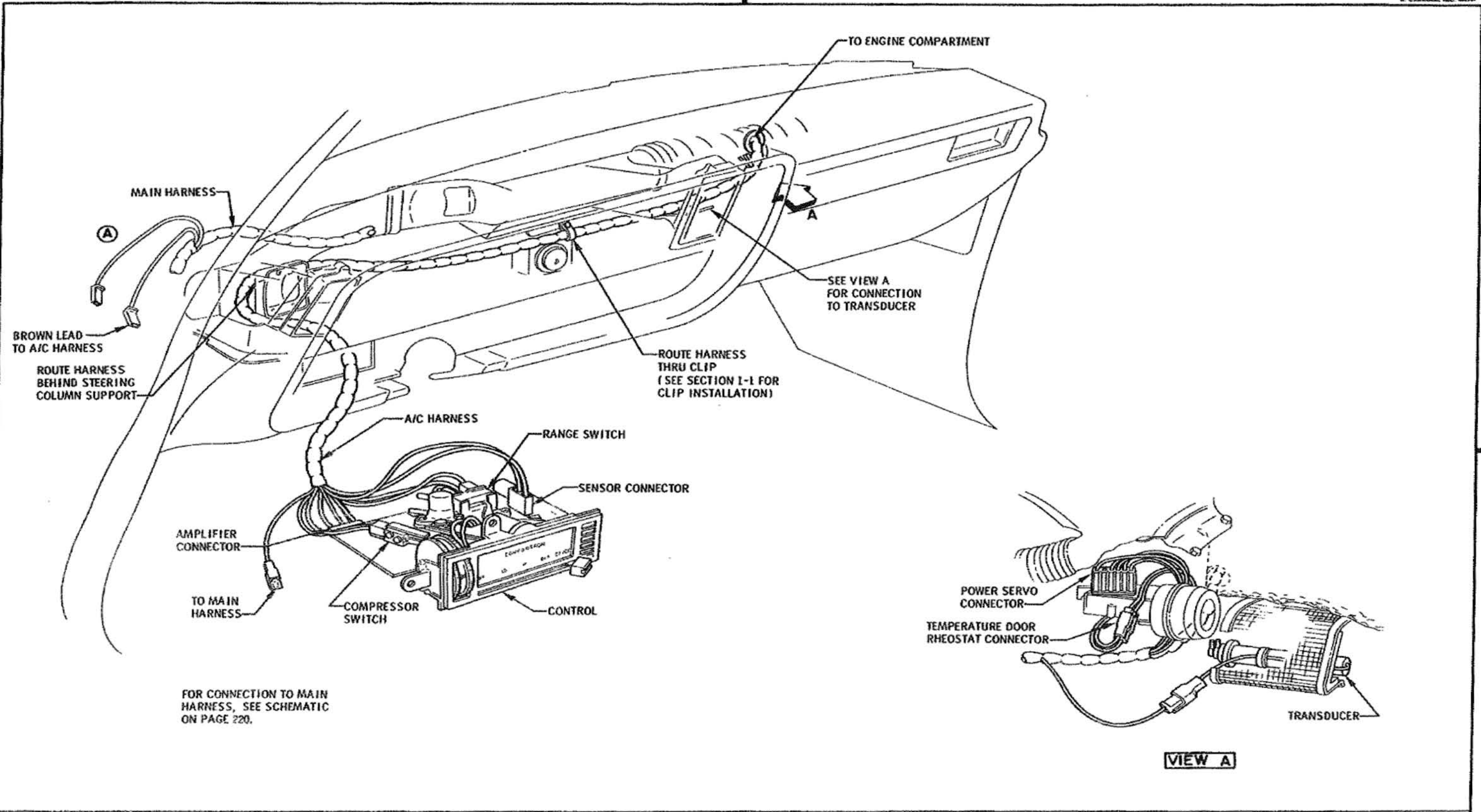


MUST BE FULLY DRIVEN, SEATED AND NOT STRIPPED.

DATE	SYM	REVISION	DR. CK.	DATE	SYM	REVISION	DR. CK.	DATE	SYM	REVISION	DR. CK.	DATE	SYM	REVISION	DR. CK.	APPR.	TITLE	FIRST USED	OLDSMOBILE PRODUCT INFORMATION MANUAL	MANUAL SEC.	PAGE	PART NO.
																	35C69 WIRING (ENGINE COMPARTMENT)	1969		12	217	
				8/29/68	B	FIG. 1 ADDED	PL															
				6/12/68	A	WIRING REVISED																
																		35C60	SERIES	B-C		401901



DATE	SYM	REVISION	DR.	CK.	DATE	SYM	REVISION	DR.	CK.	DATE	SYM	REVISION	DR.	CK.	DATE	SYM	REVISION	DR.	CK.	TITLE	FIRST USED	OLDSMOBILE PRODUCT INFORMATION MANUAL	MANUAL SEC.	PAGE	
																				35C61 PICTORIAL WIRING DIAGRAM	1969		12	220	
					3-5-69	D	WIRING REVISED	PL	DT											DATE	APR. 2, 1968				
					7-11-68	L	WAS 9417863-BULB	BY	JV											DR. BY	P. Locatelli				
					6-3-68	B	9417863-BULB ADDED	BY	DT											CHECKED					
					6-3-68	A	WIRING REVISED	BY	DT											APPR.	W. M. ...				
																				REF.					
																				APPR.	...				
																						SERIES	B-C	PART NO.	401901



TITLE										35C61 WIRING (INSIDE OF CAR)			
DATE	APR. 9 1968	FIRST USED	1969	OLDSMOBILE PRODUCT INFORMATION MANUAL	MANUAL SEC.	12	PAGE	221					
DR. BY	P. Loatelli	REF.		SERIES	B-C	PART NO.	401901						
CHECKED	M. Malinika	DR. CK.	APPR.										
DATE	6-3-68	SYM	A	WIRING REVISED	DR. CK.	DATE	SYM	REVISION					

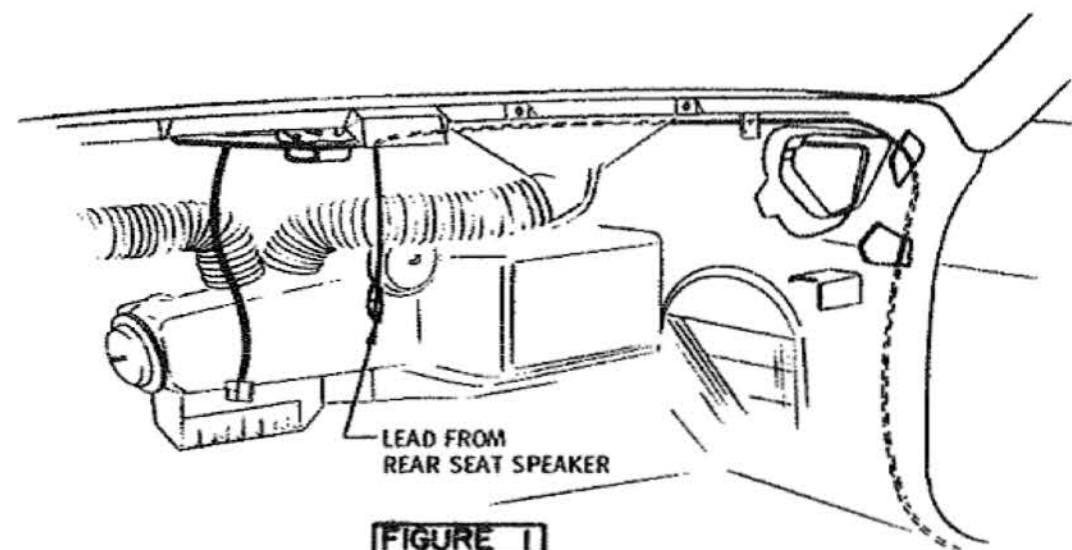
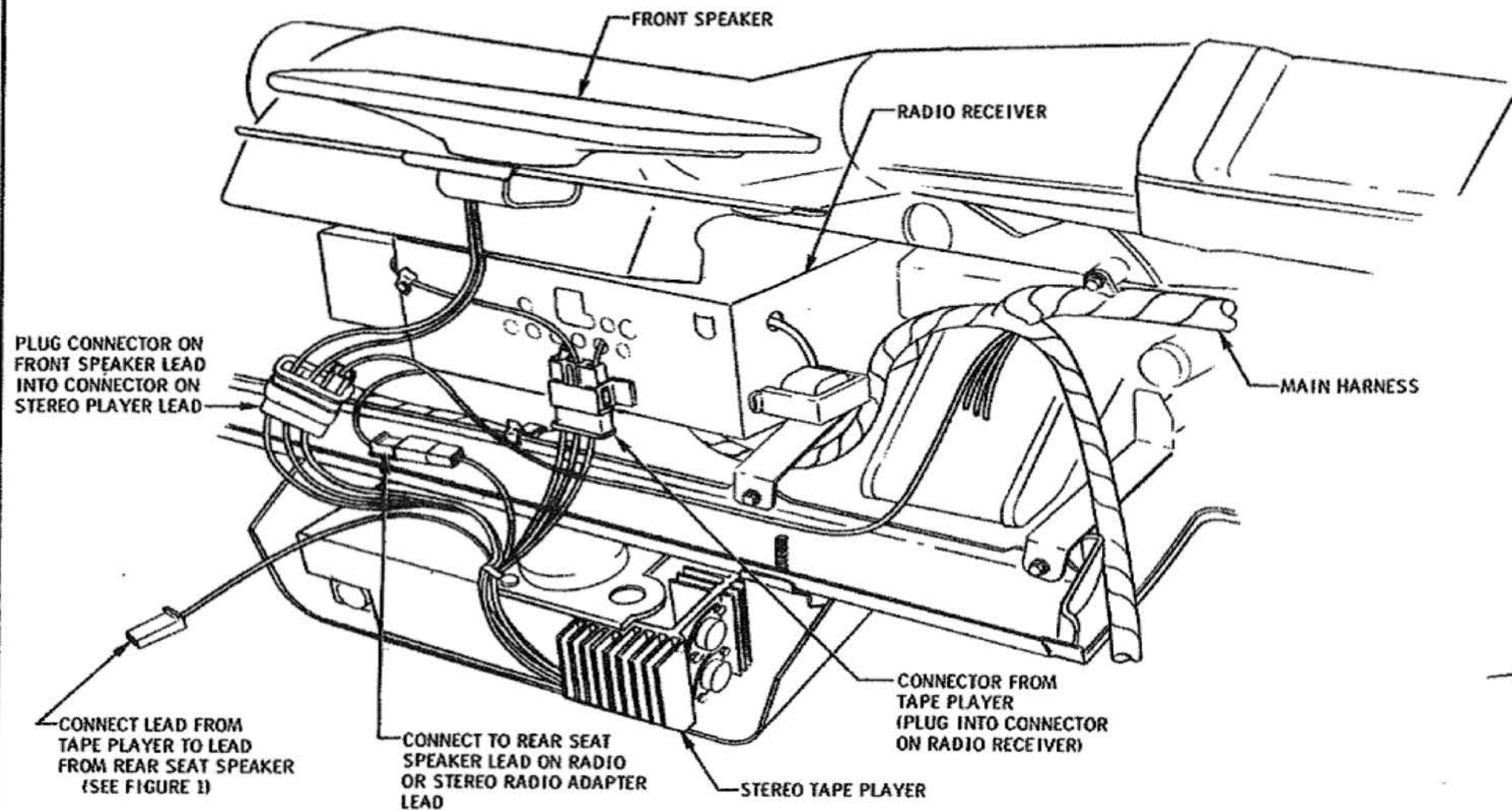
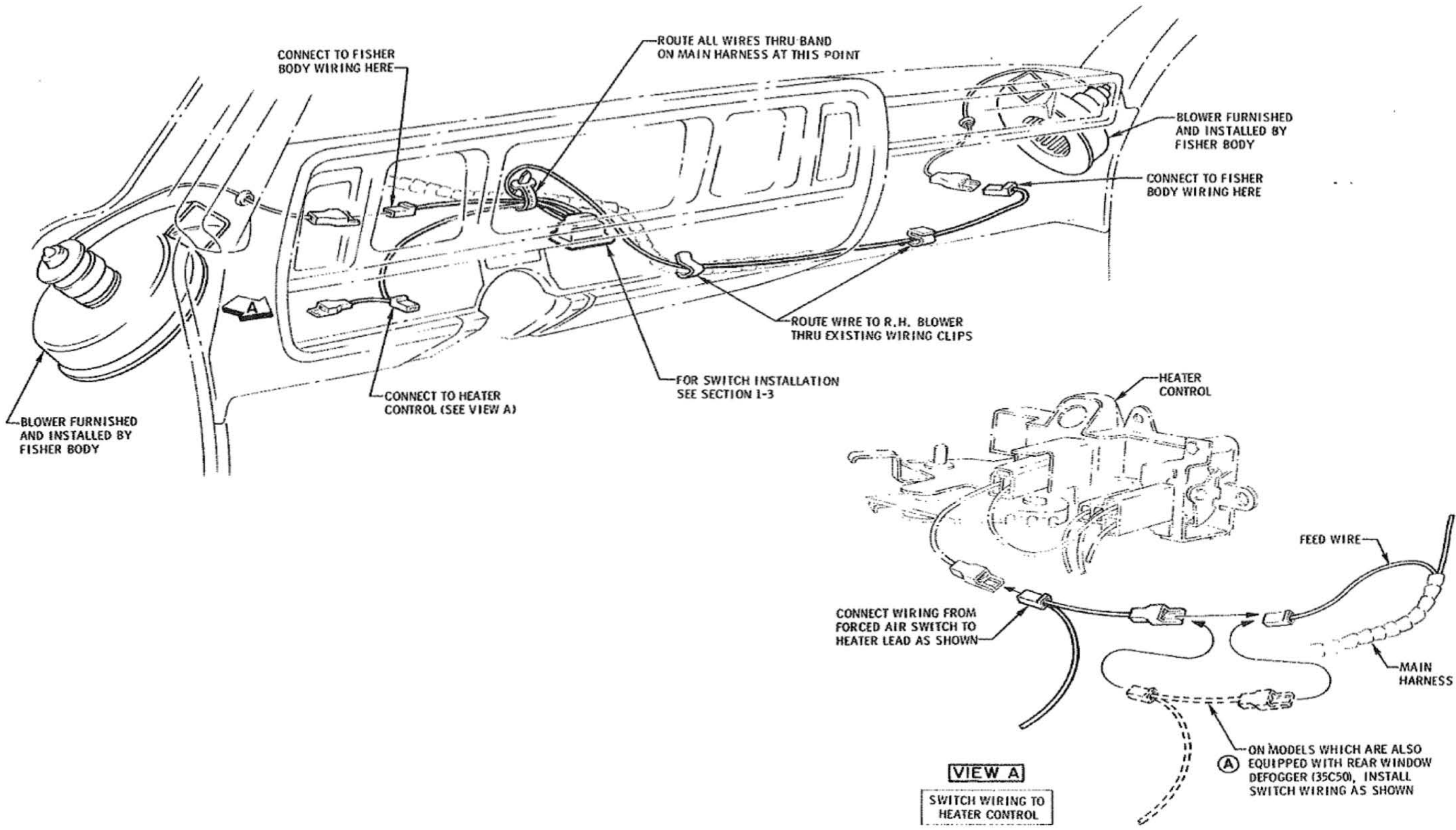
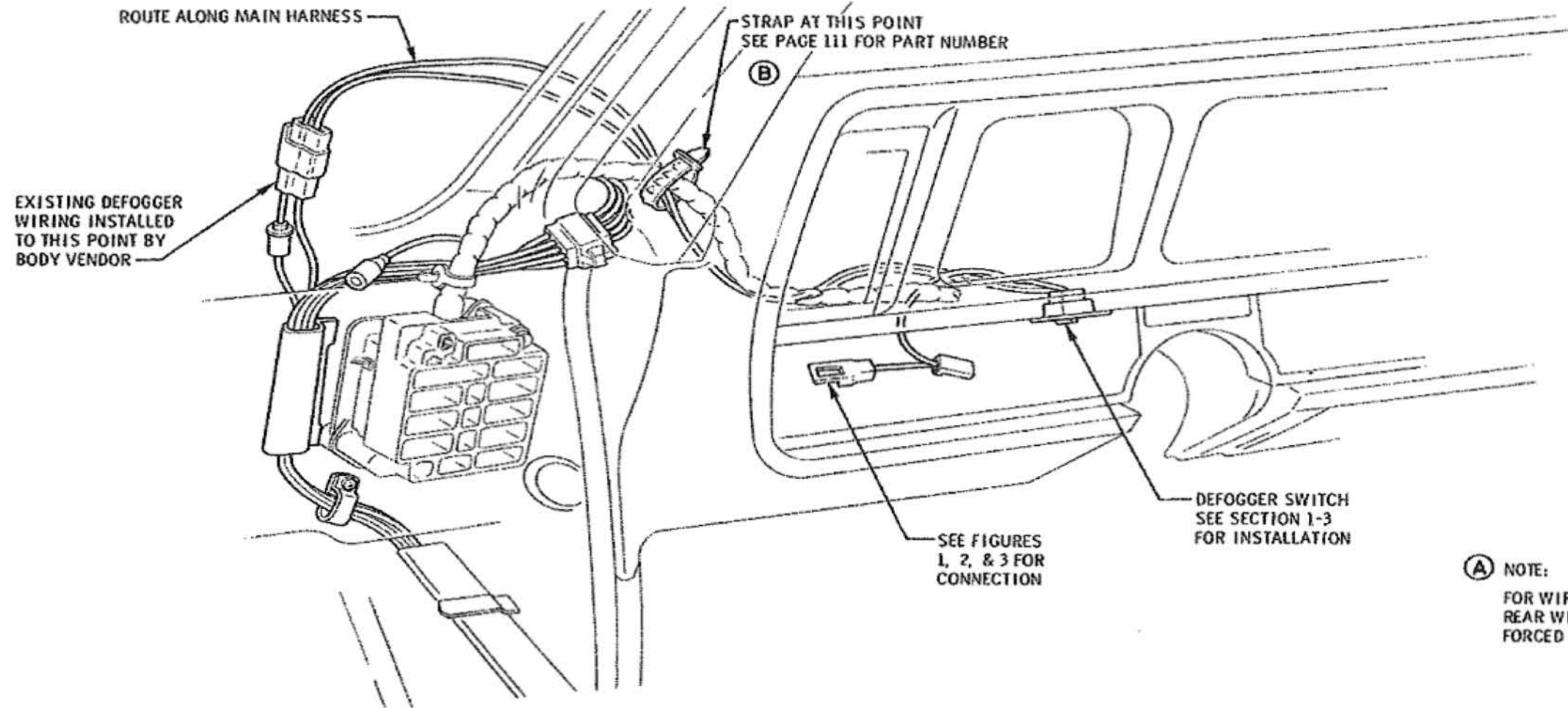


FIGURE 1

DATE	SYM	REVISION	DR. CK.	DATE	SYM	REVISION	DR. CK.	DATE	SYM	REVISION	DR. CK.	DATE	SYM	REVISION	DR. CK.	TITLE	FIRST USED	OLDSMOBILE PRODUCT INFORMATION MANUAL	MANUAL SEC.	PAGE
																STEREO TAPE PLAYER	1969		12	325
																DATE <i>APR. 16, 1968</i>	REF. <i>35057</i>	SERIES <i>B-C</i>	PART NO. <i>401901</i>	
																DR. BY <i>P. Locatelli</i>				
																CHECKED <i>[Signature]</i>				
																APPR. <i>[Signature]</i>				
																APPR. <i>[Signature]</i>				



										TITLE FORCED AIR VENTILATION - 35C57					
										DATE	FIRST USED	OLDSMOBILE PRODUCT	MANUAL SEC.	PAGE	
										JULY 19, 1968	1969	INFORMATION MANUAL	12	331	
										DR. BY	CHECKED	REF.	SERIES	PART NO.	
										BEAUDOIN	HP	35-C-57	B-C	401901	
DATE	SYM	REVISION	DR.	CK.	DATE	SYM	REVISION	DR.	CK.	DATE	SYM	REVISION	DR.	CK.	APPR.
										11-21-68	A	NOTE REVISED			



(A) NOTE:
FOR WIRING ON CARS WITH BOTH REAR WINDOW DEFOGGER AND FORCED AIR VENTILATION, SEE PAGE 331.

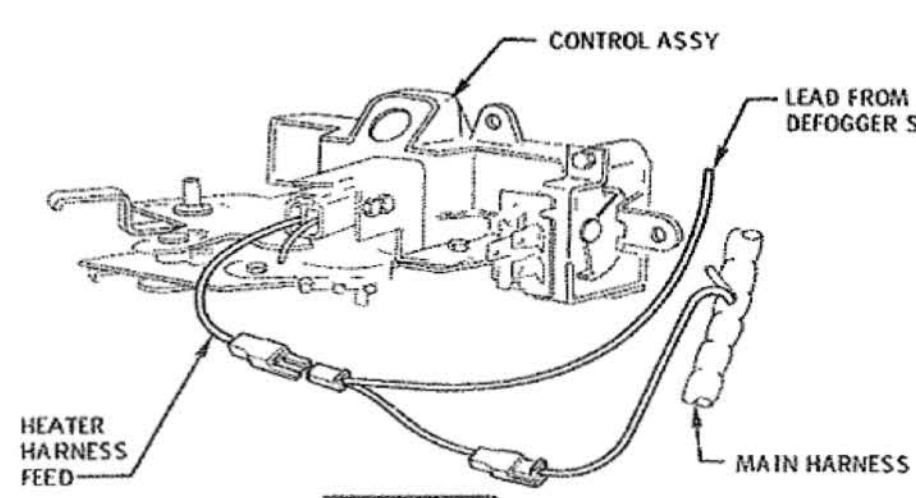


FIGURE 1
WIRING INSTALLATION
1A2C CARS

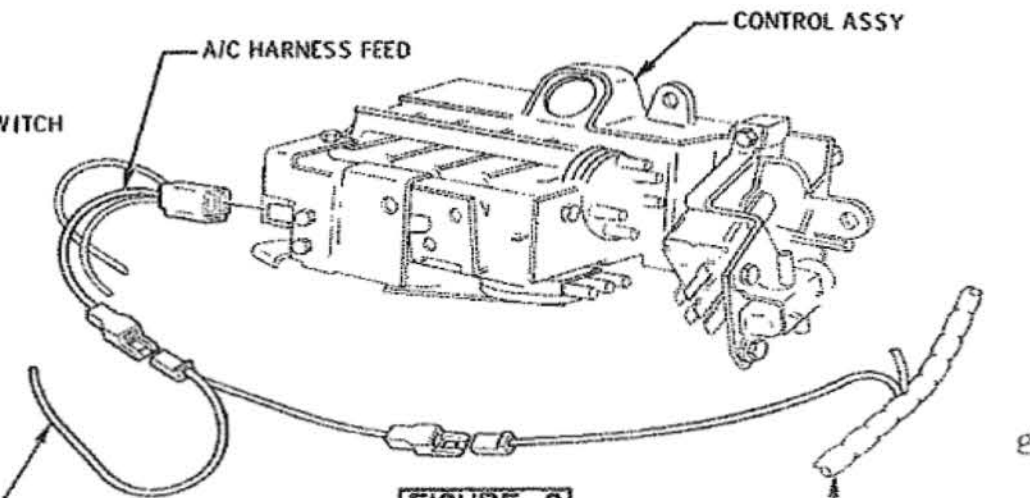


FIGURE 2
WIRING INSTALLATION
35C60 CARS

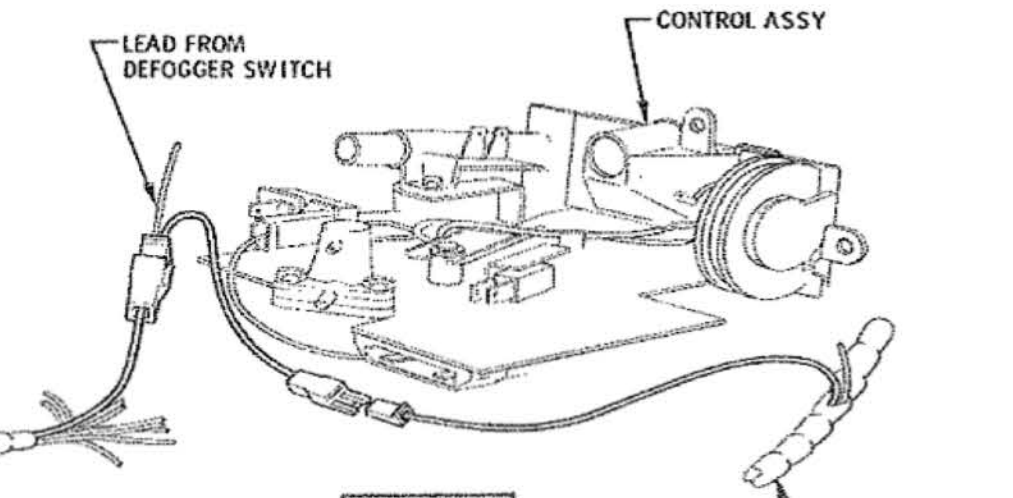
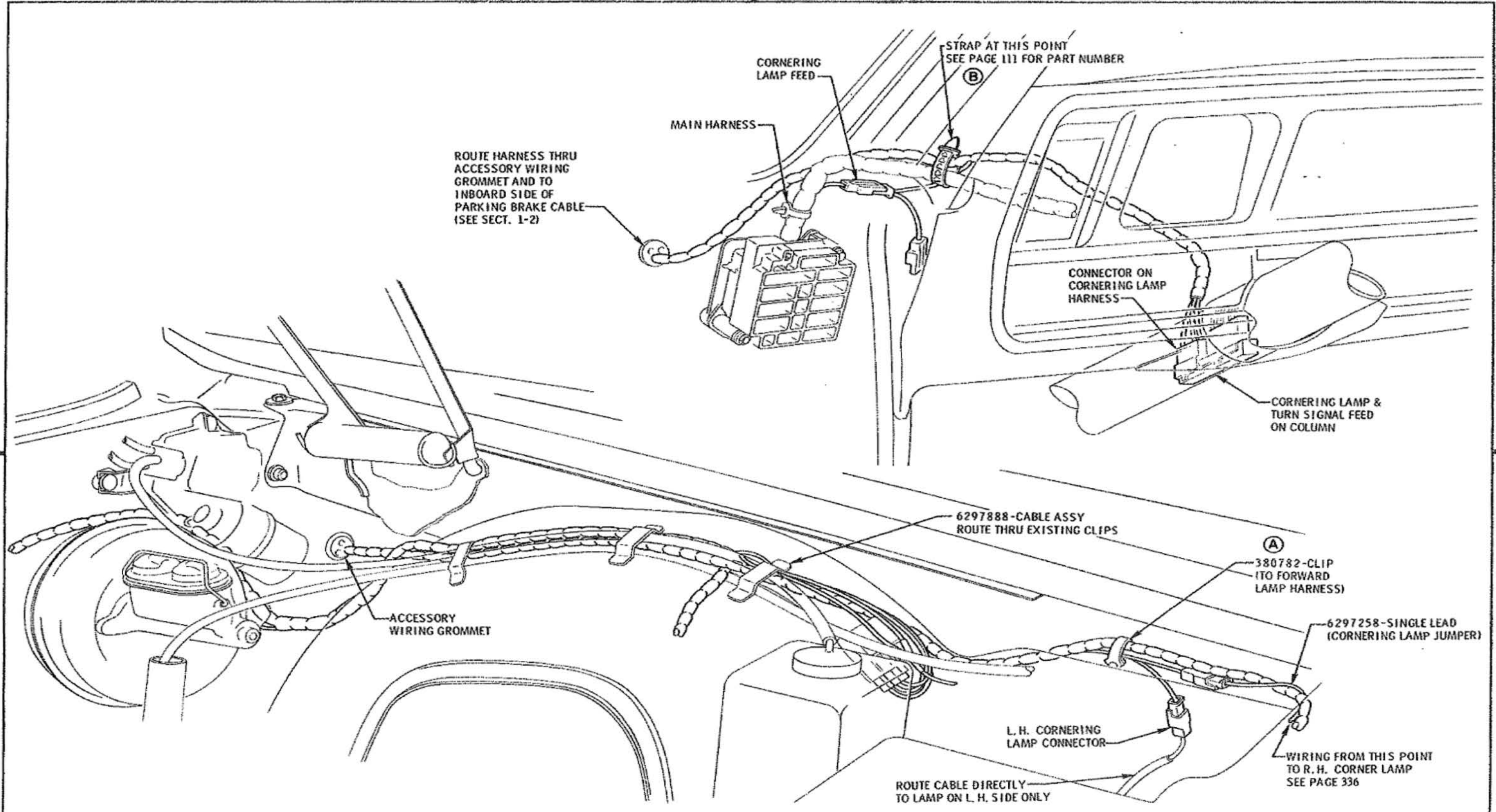
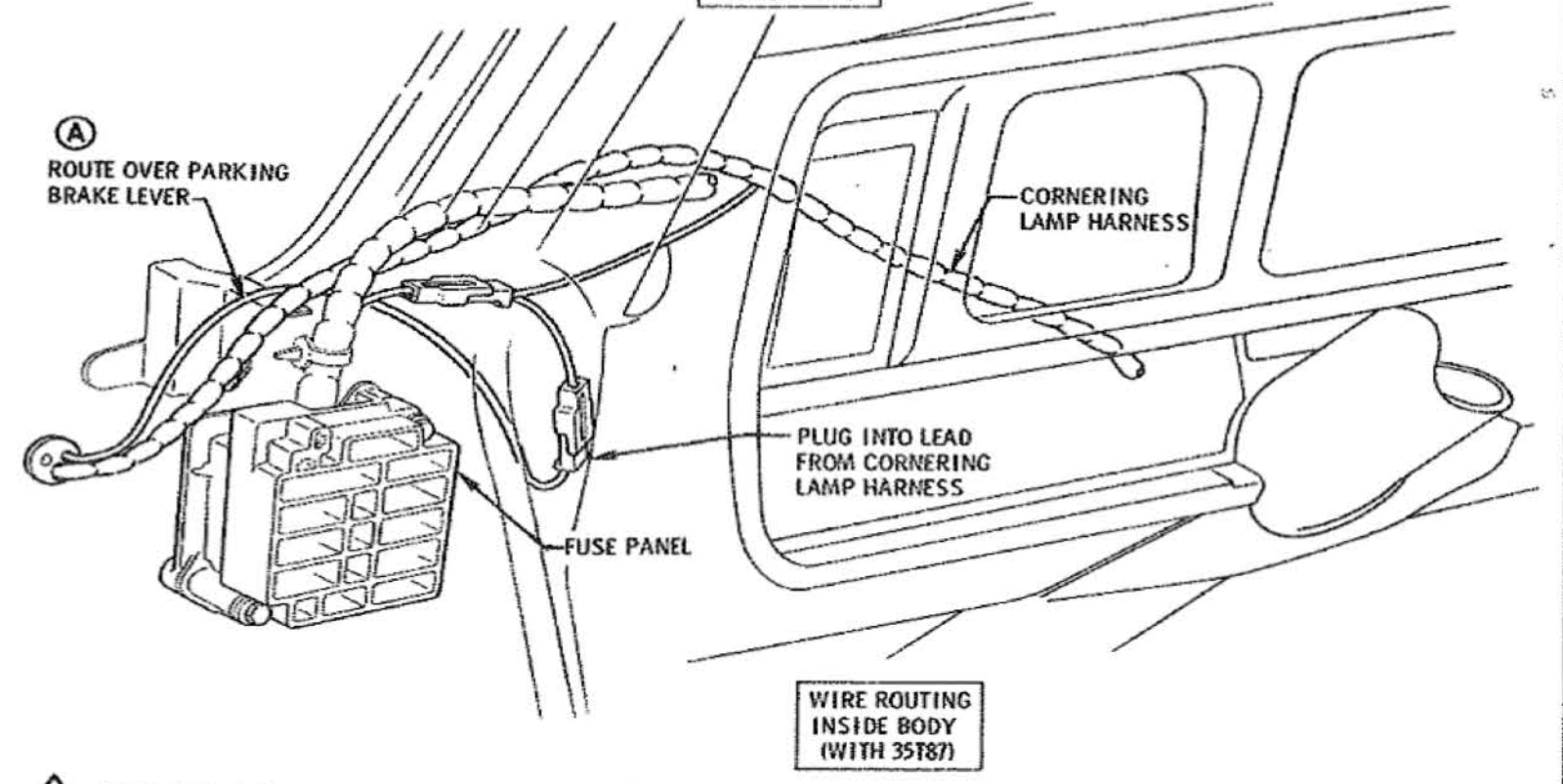
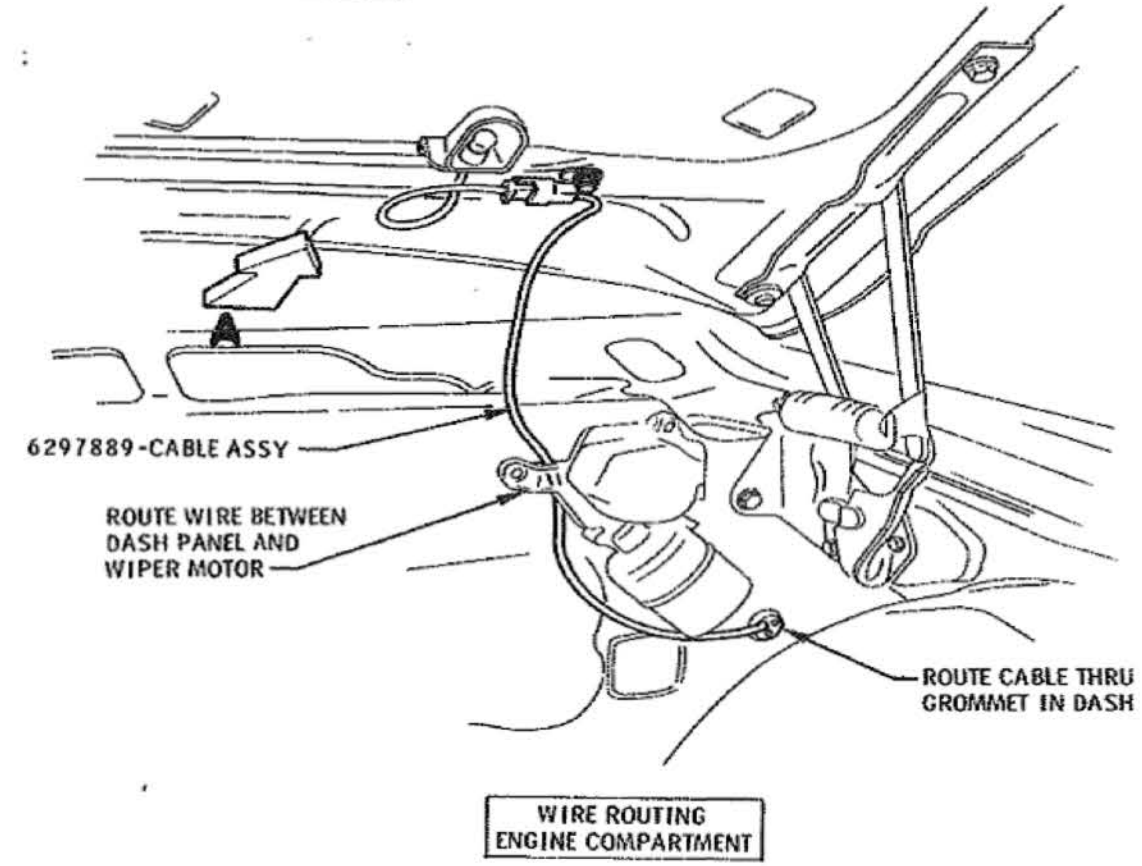
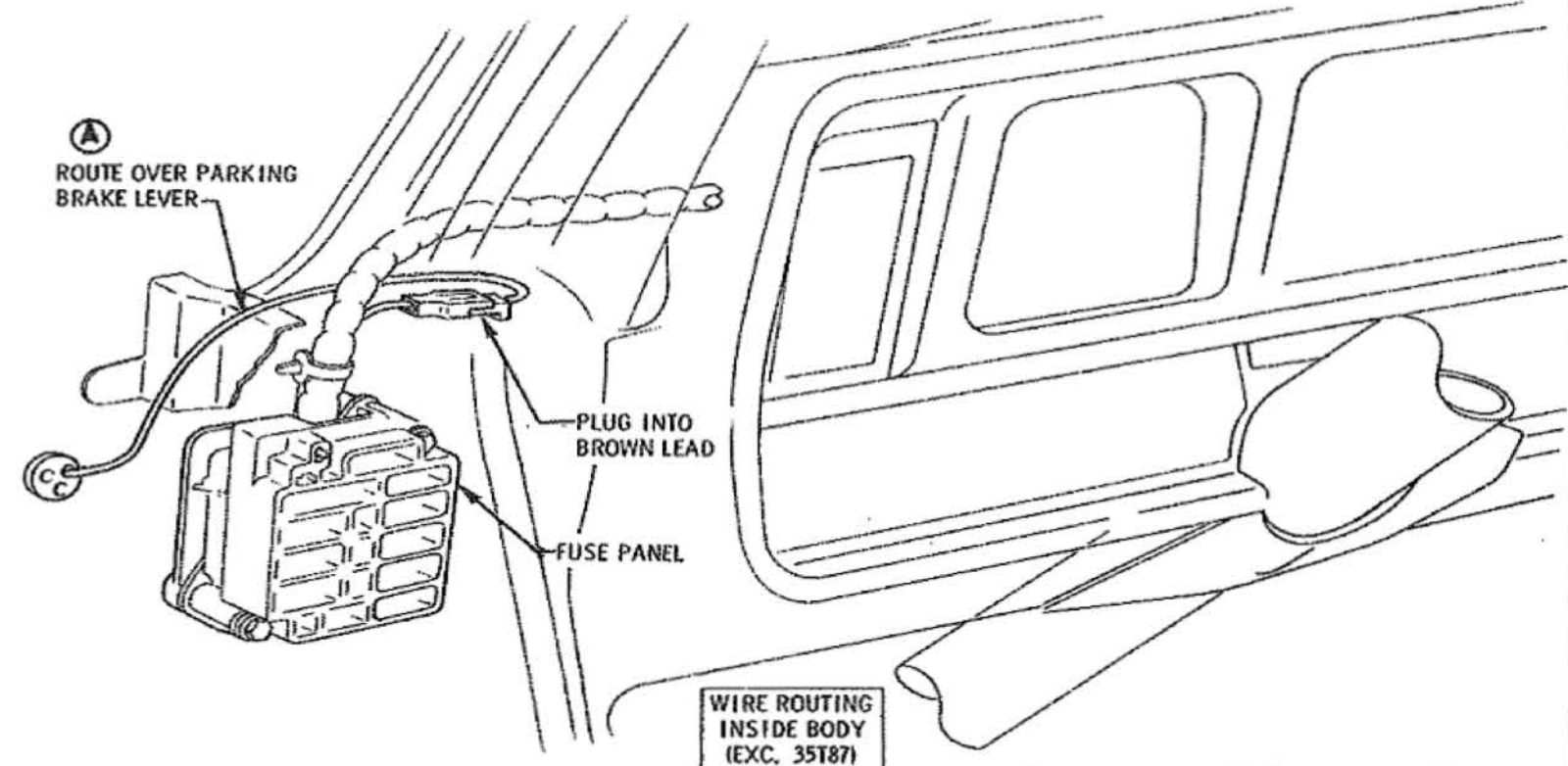
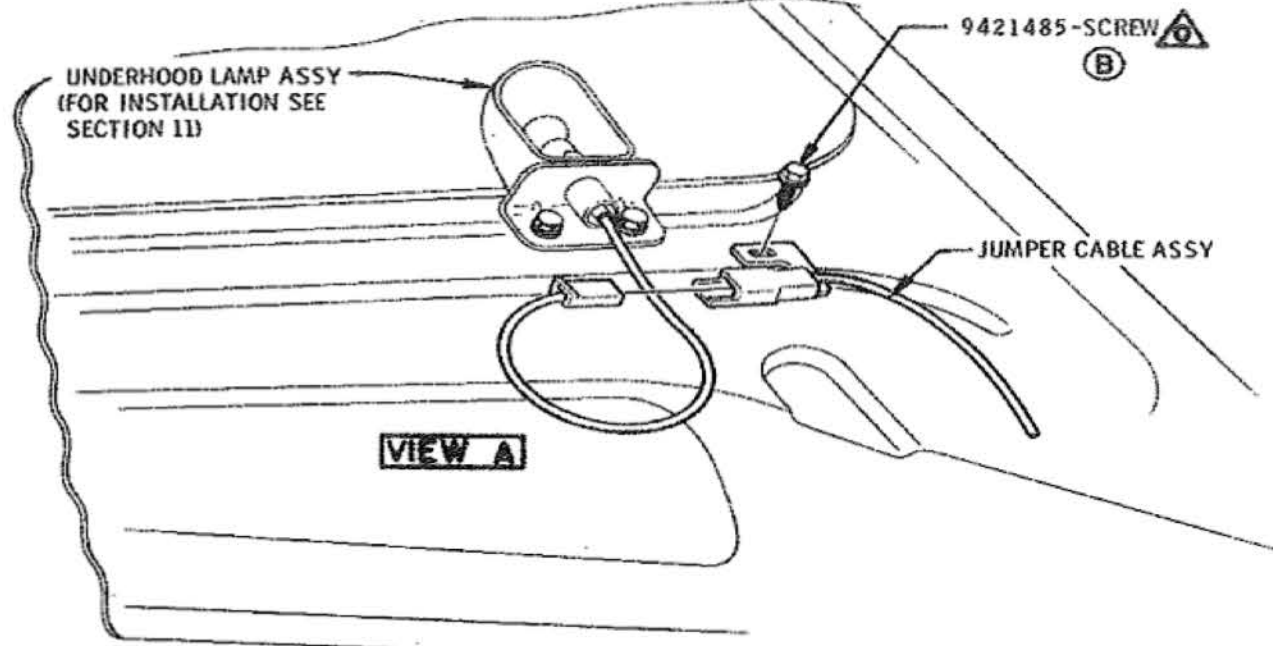


FIGURE 3
WIRING INSTALLATION
35C61 CARS

										TITLE		REAR WINDOW DEFOGGER WIRING (35C50 ONLY)					
										DATE	APR. 17, 1968	FIRST USED	1969	OLDSMOBILE PRODUCT INFORMATION MANUAL	MANUAL SEC.	PAGE	
										DR. BY	P. Locatelli	REF.	35C50	SERIES	B-C	PART NO.	401901
										CHECKED	[Signature]						
										APPR.	SCNATTENKERS						
										DATE	APR 17/68						
DATE	SYM	REVISION	DR. CK.	DATE	SYM	REVISION	DR. CK.	DATE	SYM	REVISION	DR. CK.	DATE	SYM	REVISION	DR. CK.	DATE	SYM

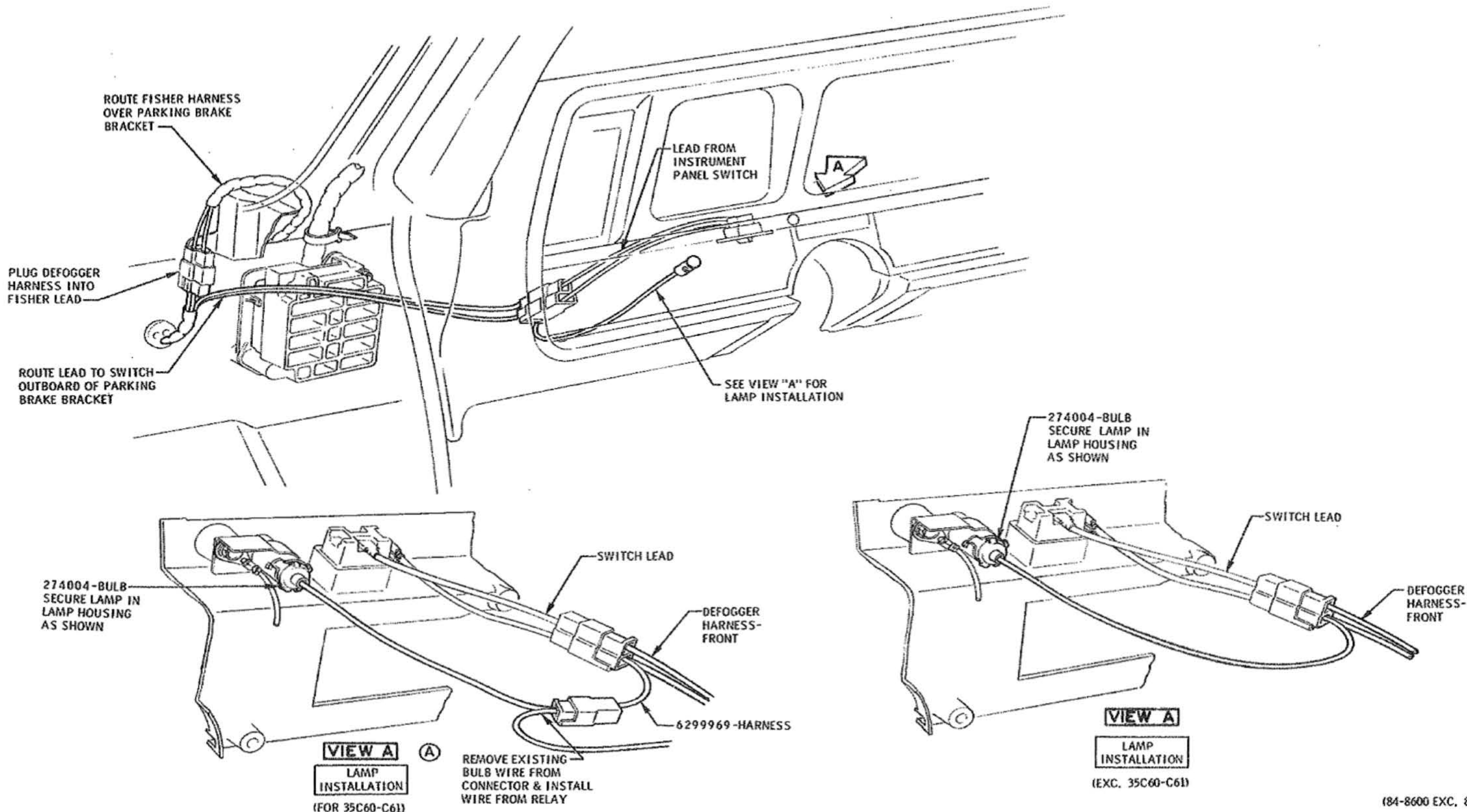


REVISION										TITLE				FIRST USED		OLDSMOBILE PRODUCT INFORMATION MANUAL		MANUAL SEC.	PAGE
										CORNERING LAMP WIRING				1969	12		335		
										DATE	DR BY	CHECKED	APPR.	REF. 35187	SERIES	PART NO.			
										11-12-68	B	ROUTING REVISED	DT		B-C	401901			
										9-9-69	A	380782-CLIP RELEASED	DT						
DATE	SYM	REVISION	DR	CK	DATE	SYM	REVISION	DR	CK	DATE	SYM	REVISION	DR	CK	APPR.	DATE			
															4/17/69				



⚠ MUST BE FULLY DRIVEN, SEATED AND NOT STRIPPED.

										TITLE				UNDERHOOD LAMP ROUTING					
										DATE	FIRST USED	OLDSMOBILE PRODUCT INFORMATION MANUAL		MANUAL SEC.	PAGE				
										APR. 8, 1969	1969			12	340				
										DR. BY: C. J. H. [Signature]	REF. 35V60	SERIES	PART NO.						
										3-5-69	B	9421485-SCREW ADDED	DT						
										11-12-69	A2	ROUTING REVISED	DT						
DATE	SYM	REVISION	DR.	CK.	DATE	SYM	REVISION	DR.	CK.	DATE	SYM	REVISION	DR.	CK.	APPR.	REF.	SERIES	PART NO.	
															[Signature]		B-C	401901	



(84-8600 EXC. 8467)

DATE	SYM	REVISION	DR.	CK.	DATE	SYM	REVISION	DR.	CK.	DATE	SYM	REVISION	DR.	CK.	APPR.	TITLE	FIRST USED	OLDSMOBILE PRODUCT INFORMATION MANUAL	MANUAL SEC.	PAGE	
																REAR WINDOW DEFOGGER (35C49) INSTRUMENT PANEL WIRING	1969		12	343	
					2-3-69	A	VIEW ADDED														
																	55C49	SERIES B-C	PART NO.	401901	

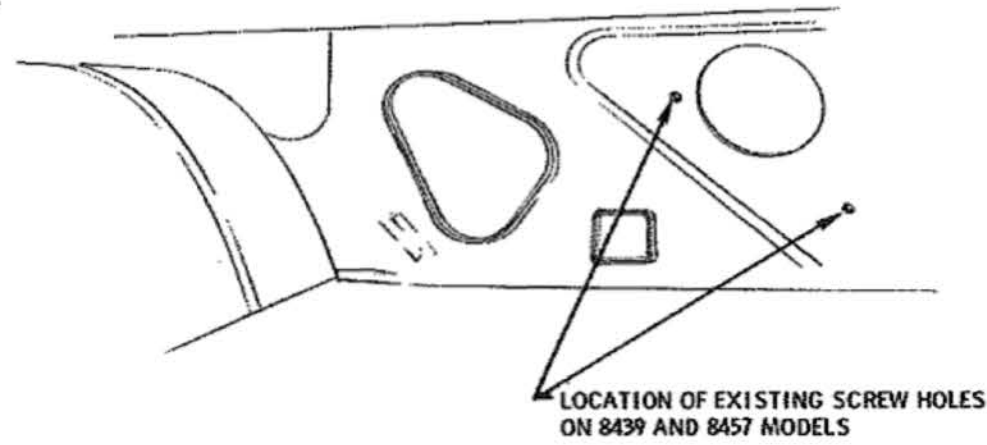


FIGURE 2

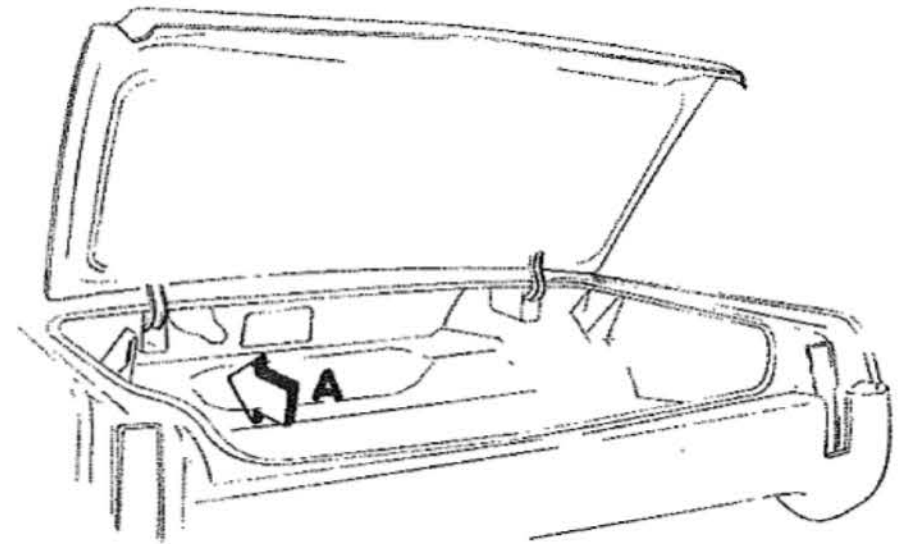
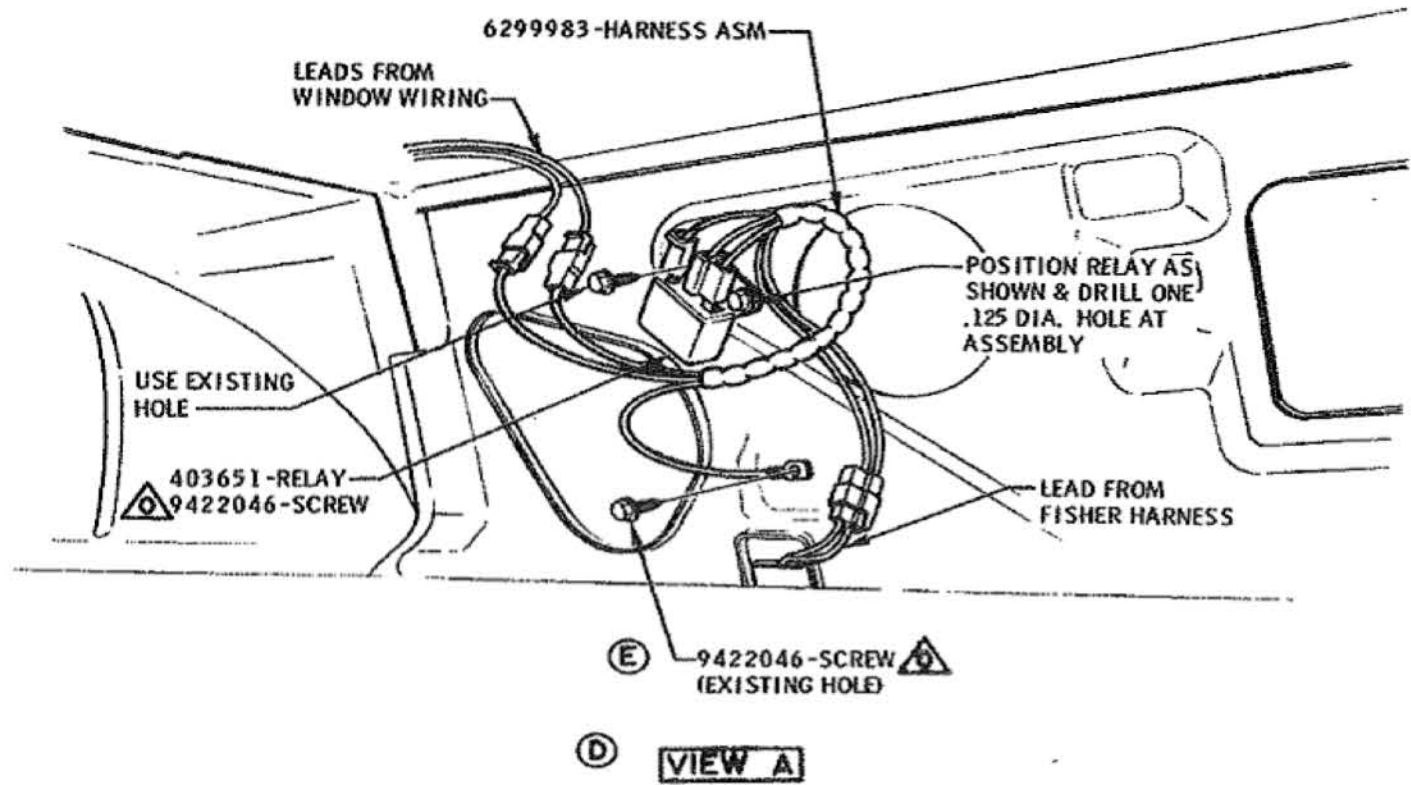


FIGURE 1

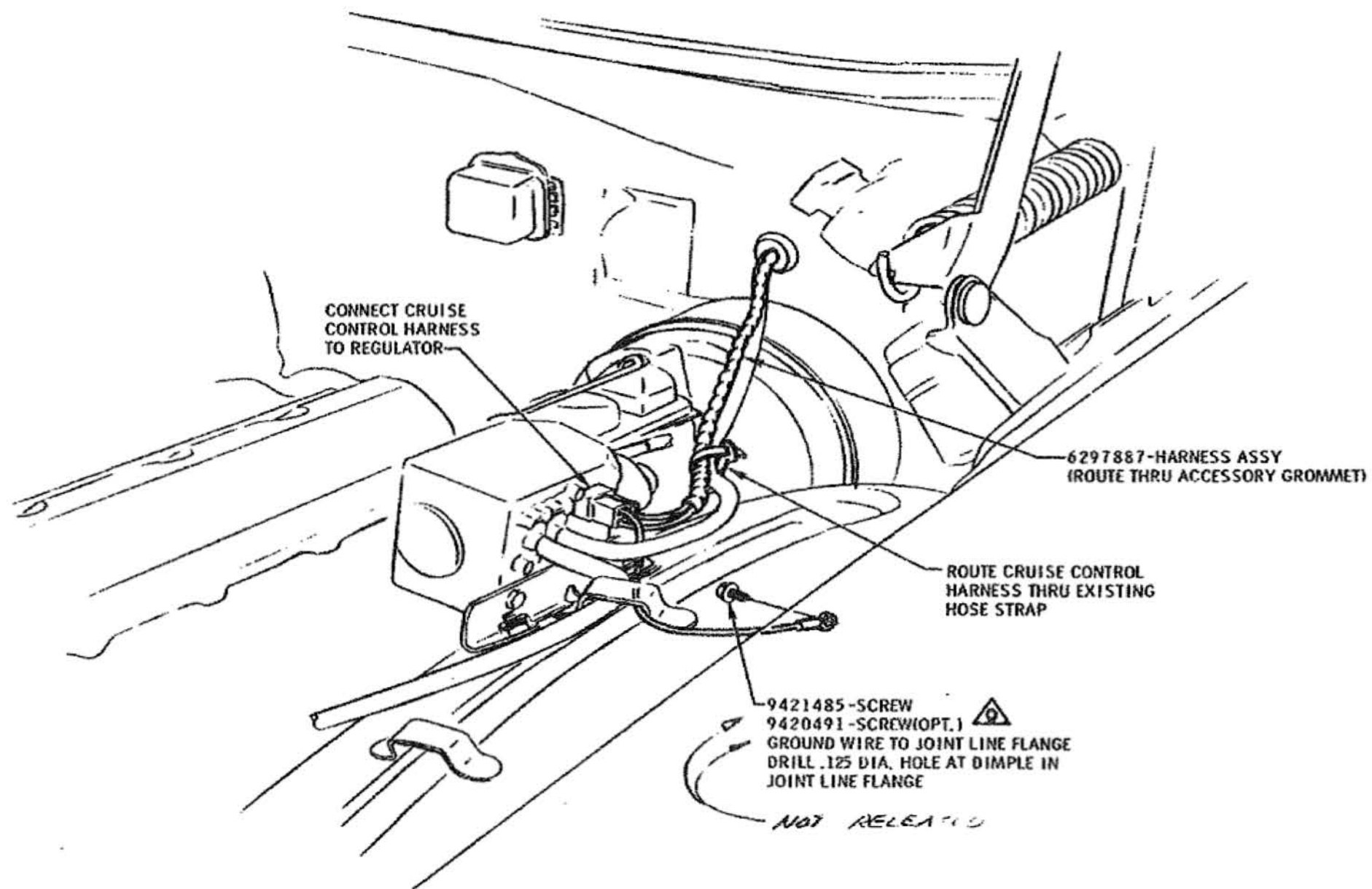
©



⚠ MUST BE FULLY DRIVEN, SEATED AND NOT STRIPPED

8400-8600
(EXC. 8467)

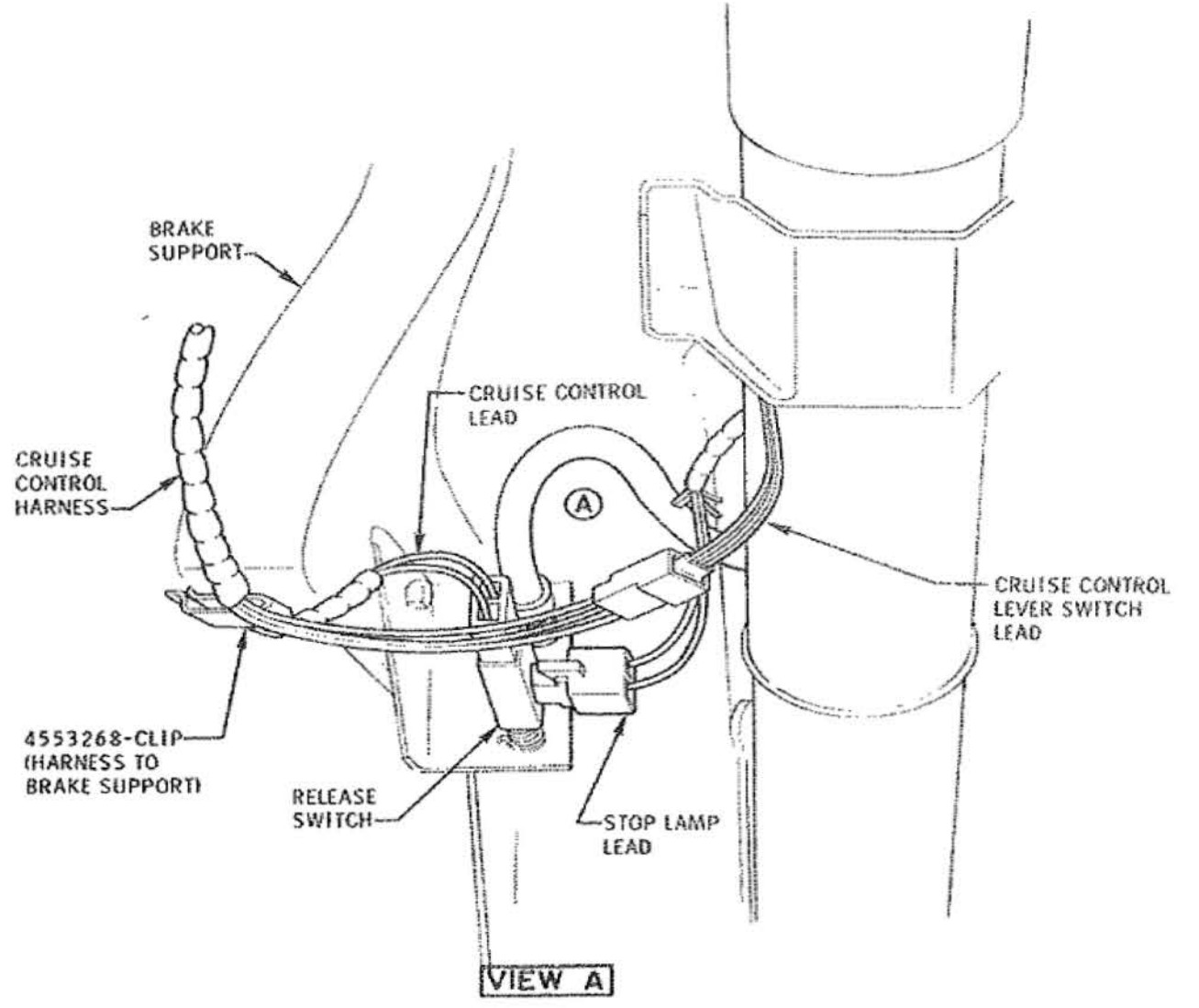
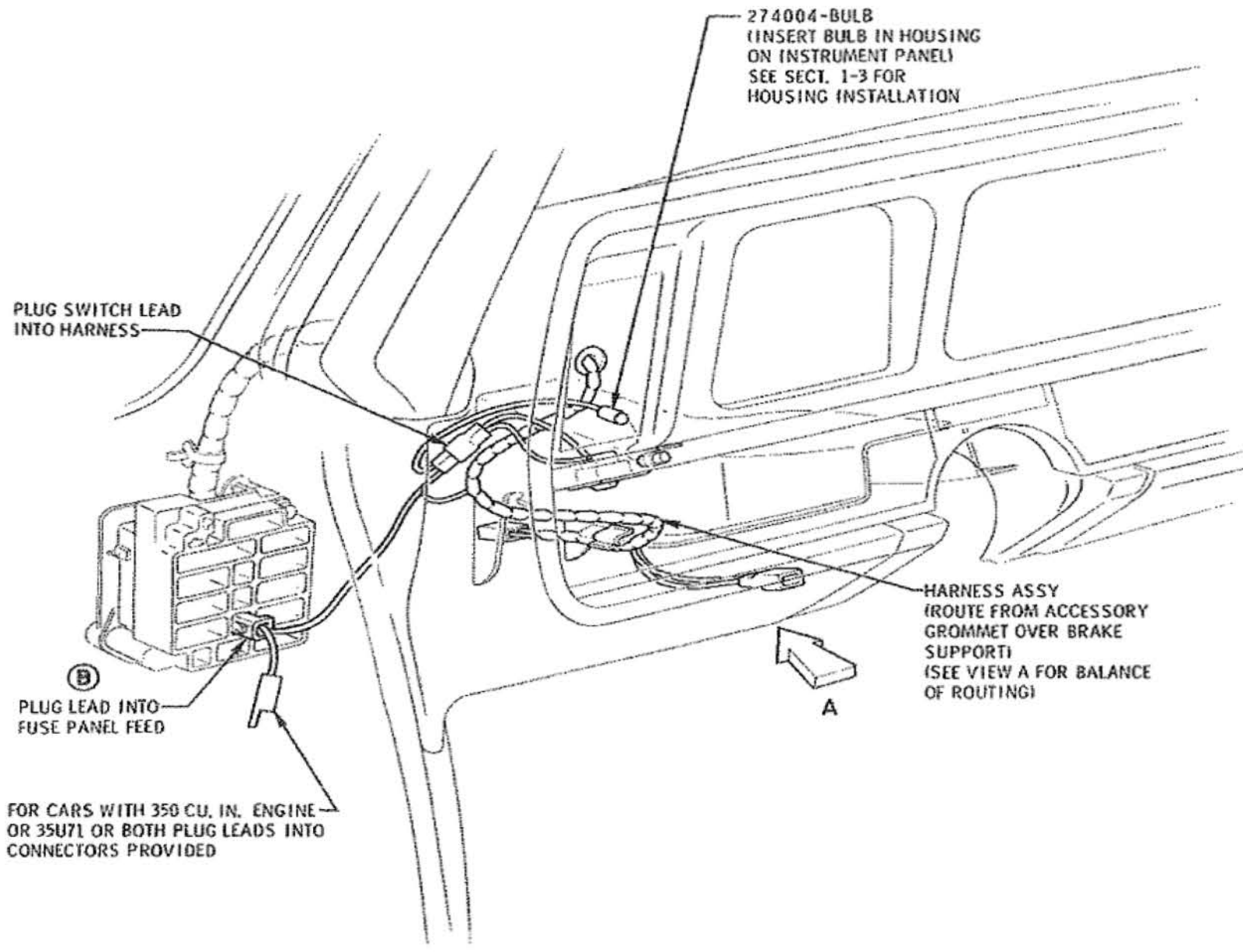
DATE	SYM	REVISION	DR.	CK.	DATE	SYM	REVISION	DR.	CK.	DATE	SYM	REVISION	DR.	CK.	APPR.	TITLE	FIRST USED	OLDSMOBILE PRODUCT INFORMATION MANUAL	MANUAL SEC.	PAGE
					3-14-69	E	WAS 242207-SCREW									REAR WINDOW DEFOGGER WIRING-TRUNK (35C49)	1969		12	344
					2-3-69	D	VIEW REVISED									DATE NOV. 18, 1968				
					2-3-69	C	VIEW REMOVED									DR. BY B. PARKER				
					12-9-68	B	1116992-RELAY OMT. ADDED									CHECKED JTB				
					11-26-68	A	FIG 3 & 404064 SPACER AD									APPR. H. S. CHRYSLER	REF. 35C49	SERIES B-C	PART NO. 401901	



MUST BE FULLY DRIVEN, SEATED AND NOT STRIPPED

PRELIMINARY INFORMATION
THIS DRAWING INCOMPLETE

DATE	SYM	REVISION	DR.	CK.	DATE	SYM	REVISION	DR.	CK.	DATE	SYM	REVISION	DR.	CK.	TITLE	FIRST USED	OLDSMOBILE PRODUCT INFORMATION MANUAL	MANUAL SEC.	PAGE
															CRUISE CONTROL WIRING (ENGINE COMPARTMENT)	1969		12	350
															DATE <i>MAY 8 1968</i>	REF. <i>55 K 30</i>	SERIES <i>B-C</i>	PART NO. <i>401901</i>	
															DR. <i>BYE C. H. H. B. G. H.</i>				
															CHECKED <i>[Signature]</i>				
															APPR. <i>[Signature]</i>				




										TITLE CRUISE CONTROL WIRING (INSIDE CAR)			
					DATE	MAY 8, 1968		FIRST USED	1969		OLDSMOBILE PRODUCT	MANUAL SEC.	PAGE
					DR.	BY D. C. HIMEBAUGH		REF.	35 K30		INFORMATION MANUAL	12	351
					CHECKED	J. H. [Signature]		SERIES	B-C		PART NO.	401901	
					APPR.	S.M.C. 5/13/68							
DATE	SYM	REVISION	DR. CK.	DATE	SYM	REVISION	DR. CK.	DATE	SYM	REVISION	DR. CK.	DATE	SYM
				7-10-68	B	FUSE PNL. FEED REV'D							
				5-28-68	A	BACKGROUND REVISED							

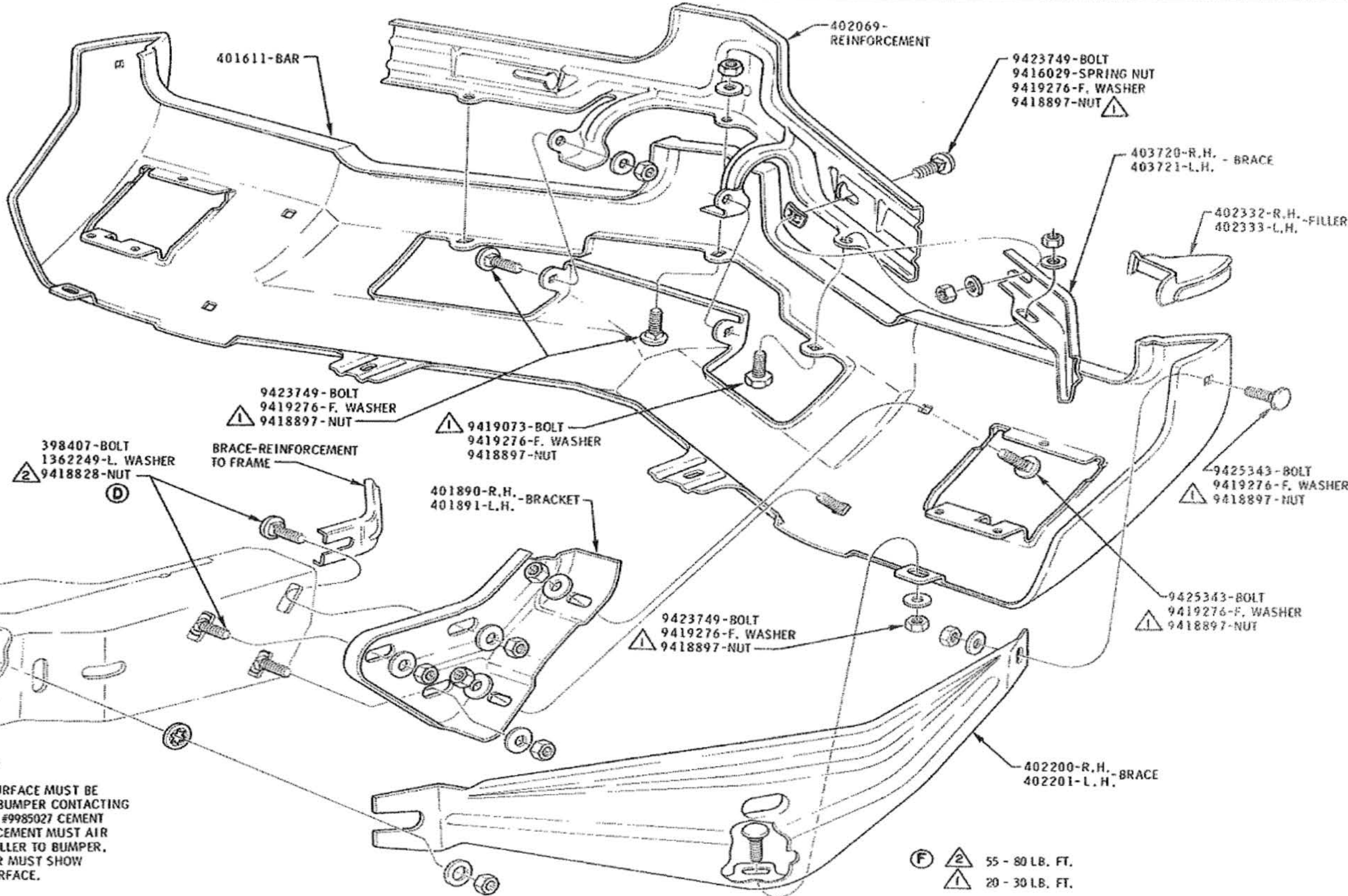


SECTION 14 BUMPERS

- 110 BUMPERS
- 130 FUEL FILLER DOOR
- 135 FRONT LICENSE SUPPORT



 9419101-BOLT
 1362249-L. WASHER
 THE USE OF THIS FASTENING IS
 OPTIONAL WITH 398407-BOLT
 AND CAN BE USED WHEREVER
 398407-BOLT IS USED.
ASSEMBLY PLANT OPTION



401745-BOLT
 9784858-NUT
 1362249-L. WASHER (E)
 9418828-NUT (D)

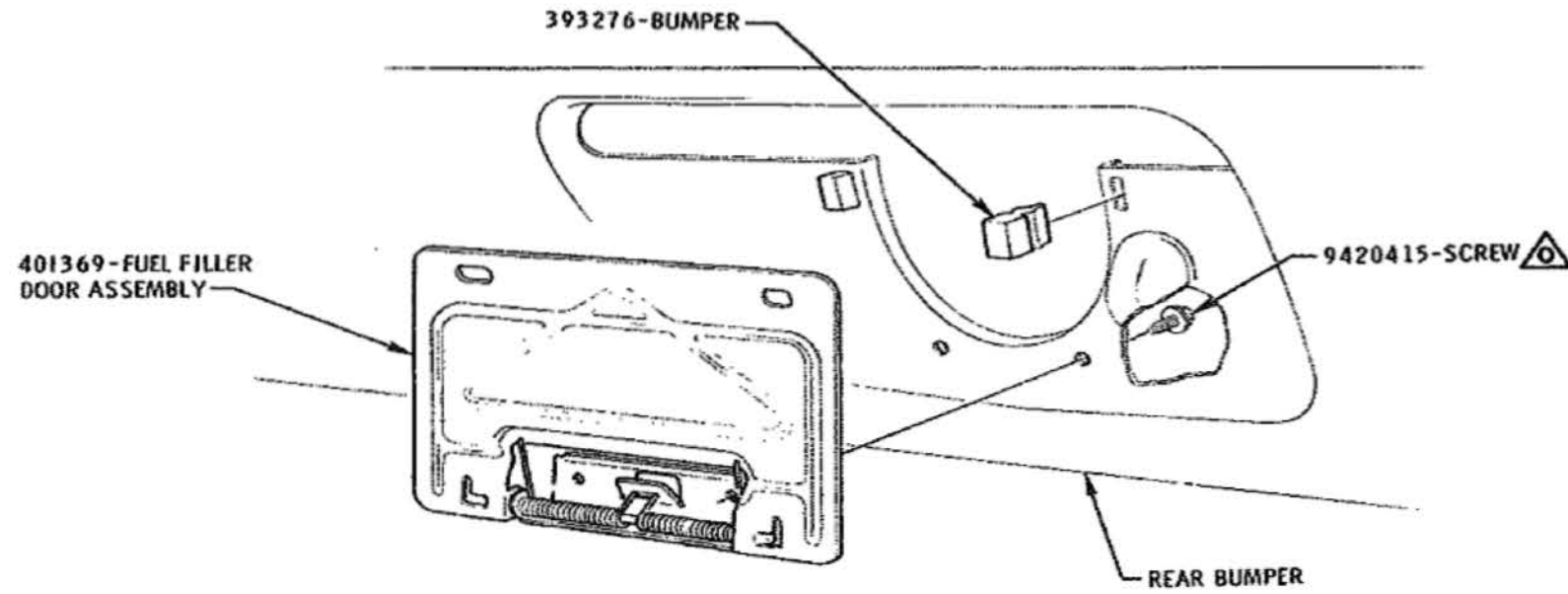
398407-BOLT
 1362249-L. WASHER (D)
 9418828-NUT (D)

**FILLER TO BUMPER
INSTALLATION PROCEDURE**

BUMPER FILLER AND BUMPER CONTACTING SURFACE MUST BE KEPT CLEAN. BOTH THE BUMPER FILLER AND BUMPER CONTACTING SURFACE MUST BE COMPLETELY COATED WITH #9985027 CEMENT PRIOR TO ASSEMBLING FILLER IN BUMPER. CEMENT MUST AIR DRY 2 TO 25 MINUTES BEFORE ASSEMBLING FILLER TO BUMPER. SEPARATION OF THE FILLER FROM THE BUMPER MUST SHOW ADHERENCE OF CEMENT TO ENTIRE RUBBER SURFACE.

(F) (2) 55 - 80 LB. FT.
 (1) 20 - 30 LB. FT.

DATE	SYM	REVISION	DR	CK	DATE	SYM	REVISION	DR	CK	DATE	SYM	REVISION	DR	CK	APPR.	TITLE	FIRST USED	OLDSMOBILE PRODUCT INFORMATION MANUAL	MANUAL SEC.	PAGE
9-3-68	E	WAS 9419277-F WASHER	DT													FRONT BUMPER				
9-3-68	D	WAS 3796202 - NUT	DT													DATE JAN. 24, 1968	1969		14	110
5-29-68	C	WAS 9423749 BOLT	DT													DR. BY BEAUDIN				
9-26-68	B	FASTENINGS ADDED	DT													CHECKED				
9-3-68	F	TORQUE REVISED	DT													APPR. T. [Signature]	14-A1	B-C		
																REF. 97-14			401901	



MUST BE FULLY DRIVEN, SEATED AND NOT STRIPPED.

DATE	SYM	REVISION	DR.	CK.	DATE	SYM	REVISION	DR.	CK.	DATE	SYM	REVISION	DR.	CK.	TITLE	FIRST USED	OLDSMOBILE PRODUCT INFORMATION MANUAL	MANUAL SEC.	PAGE	PART NO.
															FUEL FILLER DOOR	1969		14	130	401900-1
															DR. BY BEAUDOIN	REF. BA	SERIES A B-C			
															CHECKED <i>J. [unclear]</i>					
															APPR. <i>J. [unclear]</i>					
															APPR. <i>mc 2/6/68</i>					