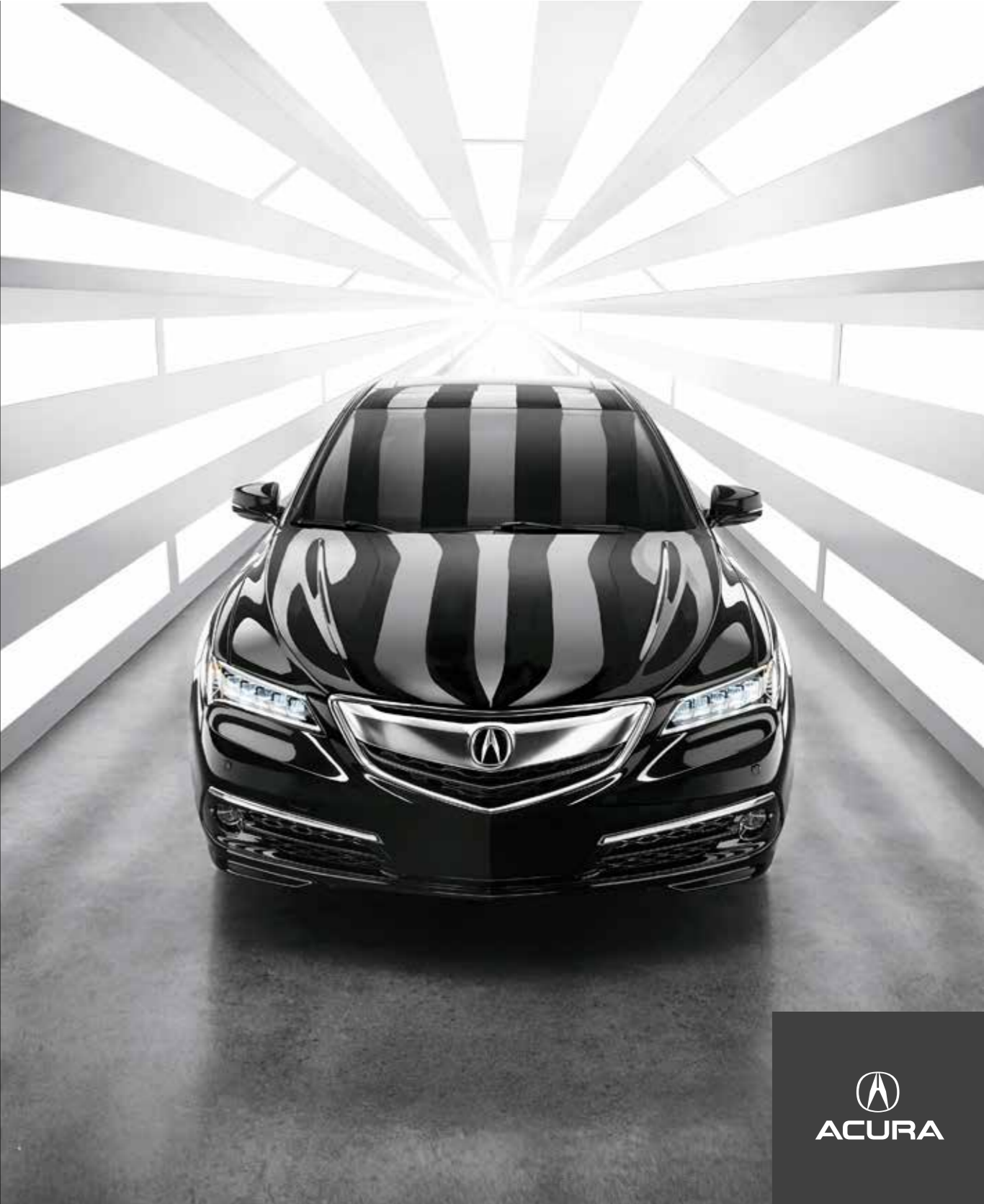
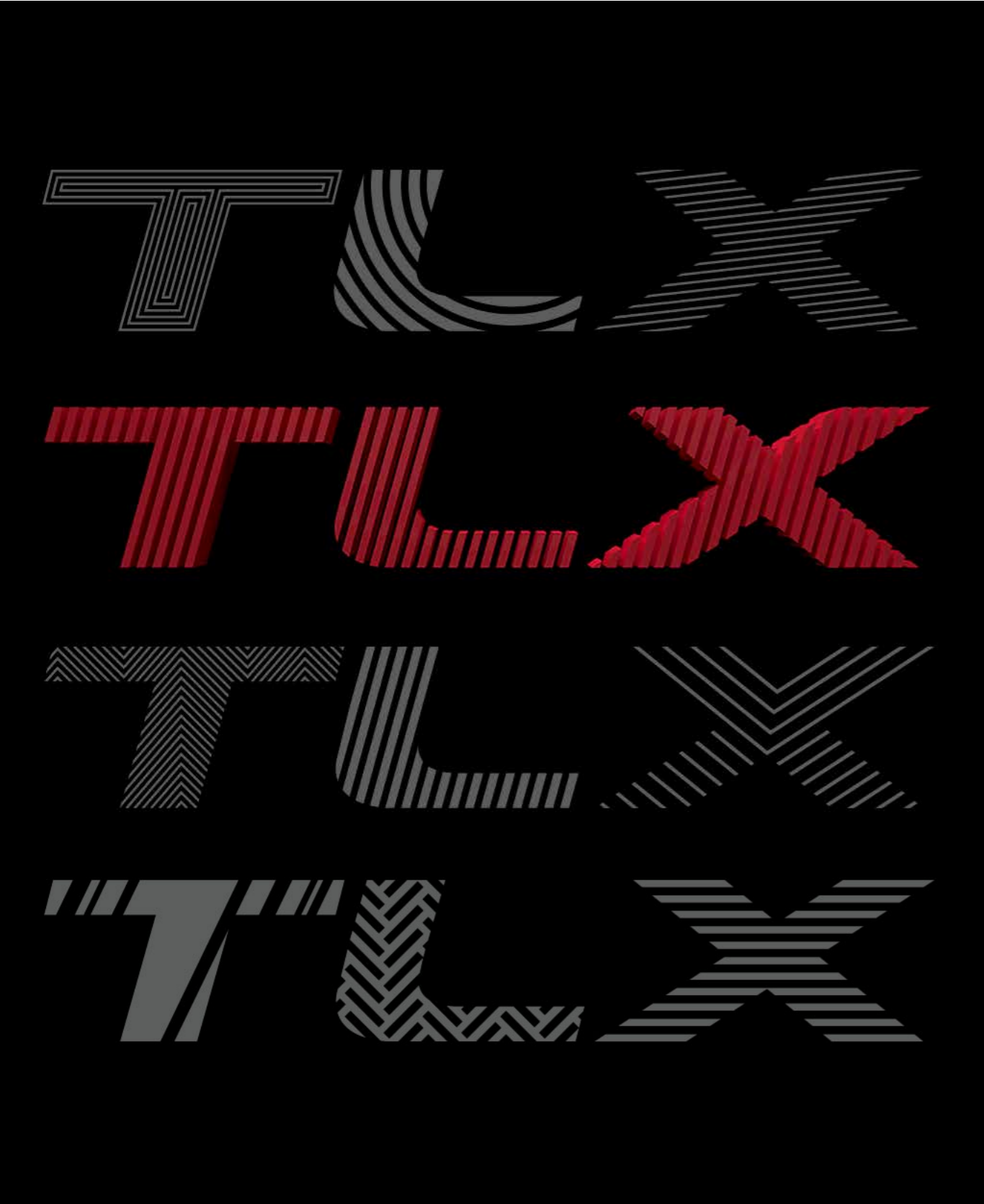


TLX



FOR DECADES WE'VE BUILT PERFORMANCE SEDANS WITH AN UNWAVERING PURPOSE AND PASSION. **THE TLX** REPRESENTS MORE THAN THE LATEST EVOLUTION. RATHER, IT IS THE clearest expression yet of our performance philosophy: both power and control brought into perfect balance. It anticipates where the driver wants to go, changes the way the wheels themselves move, then guides you through the turning experience. It is an uncompromised design in the name of pure, unrestrained feeling. Exhilaration is front and center—once again and once and for all.



ANATOMY OF A

THRILL

what is that feeling?





SUPER HANDLING
ALL-WHEEL DRIVE™

———— Races are won in the curves. Now curves have met their match. The available torque-vectoring Super Handling All-Wheel Drive™ (SH-AWD®) system was designed not just for tricky weather but also for superior handling on nearly any road or any track.

HOW
THE
CURVE
WAS
WON

SUPER HANDLING ALL-WHEEL DRIVE™

By continuously directing engine power to match driver input, weight distribution, traction and other conditions, SH-AWD® provides seamless power transitions and superior control. The new light-weight SH-AWD® system

uses torque vectoring to add or subtract rotational momentum with a surgically precise nudge. The result is enhanced performance that simply can't be matched by front, rear or conventional all-wheel-drive systems, whether out on the track or simply turning onto your street.

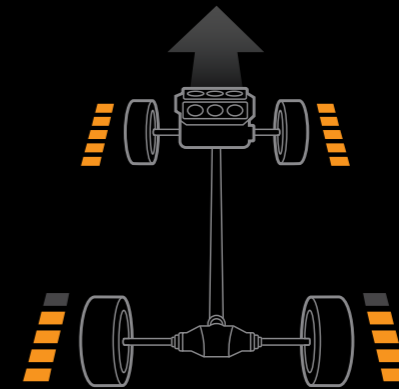


watch it work



TORQUE DISTRIBUTION

The available SH-AWD® system continuously determines the optimal level of power distribution between the front and rear wheels, as well as between the rear wheels, based on an analysis of wheel speed, steering angle, lateral G-force and yaw rate (the rate at which the TLX rotates clockwise or counterclockwise).



ACCELERATION

HIGHWAY CRUISE

CORNERING

LANE CHANGE

SLIPPERY ROAD

As weight shifts to the rear of the TLX during hard acceleration, the SH-AWD® system transfers up to 44% of the power to the rear wheels to take advantage of available traction.



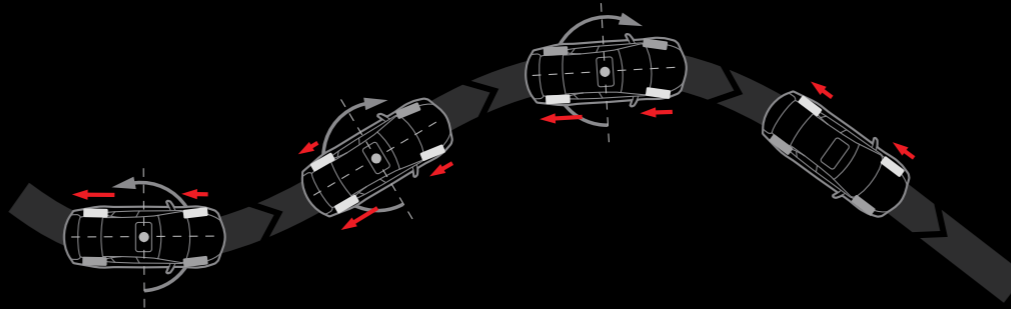
FLIP THE SCRIPT ON PHYSICS

PRECISION ALL-WHEEL STEER™

————— Turning used to be solely the job of the front wheels. The TLX changes all that with the world's first Precision All-Wheel Steer™ (P-AWS®) system. It adjusts the toe angle of each rear wheel independently for increased agility and stability while cornering, changing lanes or braking.



PIVOT EAST PIVOT WEST



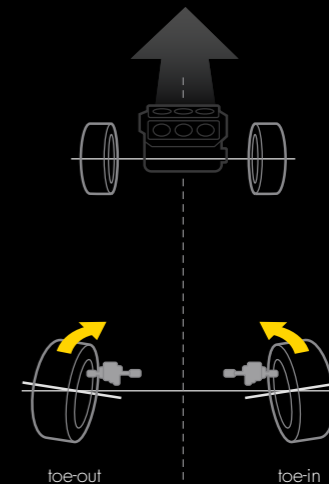
PRECISION ALL-WHEEL STEER™

From chassis to suspension to steering feel, the TLX is tuned for full responsiveness. On front-wheel drive models, P-AWS® elevates precise control to a new level. When compared with two-wheel steering systems, P-AWS® dials in more active agility at low to moderate speeds and better stability at high speeds.

The P-AWS® system continuously reads vehicle sensors and driver input. Then, like an expert skier precisely controlling both skis, it instantly adjusts the toe angle of each rear wheel, allowing the TLX to more gracefully follow your line through the curve. For the driver, the result is both subtle and stunning.

AGILE HANDLING ASSIST®

Agile Handling Assist® can actively apply braking to any of the four wheels individually. The system helps the TLX more accurately rotate through every corner. Working in concert with P-AWS®, Agile Handling Assist® enhances vehicle stability, maneuverability and control.



BRAKING

LOW SPEED

HIGH SPEED

While braking, each rear wheel pivots inward, increasing stability.

THERE ARE ALWAYS FOUR WAYS HOME

INTEGRATED DYNAMICS SYSTEM

———— The Integrated Dynamics System (IDS) gives you four driving modes: *Normal*, *Econ*, *Sport*, and *Sport+*. *Sport* mode raises shift points, dials up throttle response and steering feel and makes

P-AWS® or SH-AWD® more aggressive. Active Sound Control (ASC) tunes in more of the beautiful engine note. *Sport+* goes further, blipping the throttle and rev-matching downshifts to punctuate gear changes and help preserve the balance of the car.

ECON

NORMAL

SPORT

SPORT+



"I don't feel like stopping for gas today, so the TLX will keep the engine speed more consistent and dial back the climate control."





THE PROOF IS IN THE PUNISHMENT

TESTING

———— High performance is best tested at the extremes, and the TLX is designed to endure them all. From severe heat to subzero temperatures, from intense body rigidity tests to aerodynamic analysis, our engineers ensure that the driver's experience is never left to chance.

HARNESSING THE ONE-TWO PUNCH

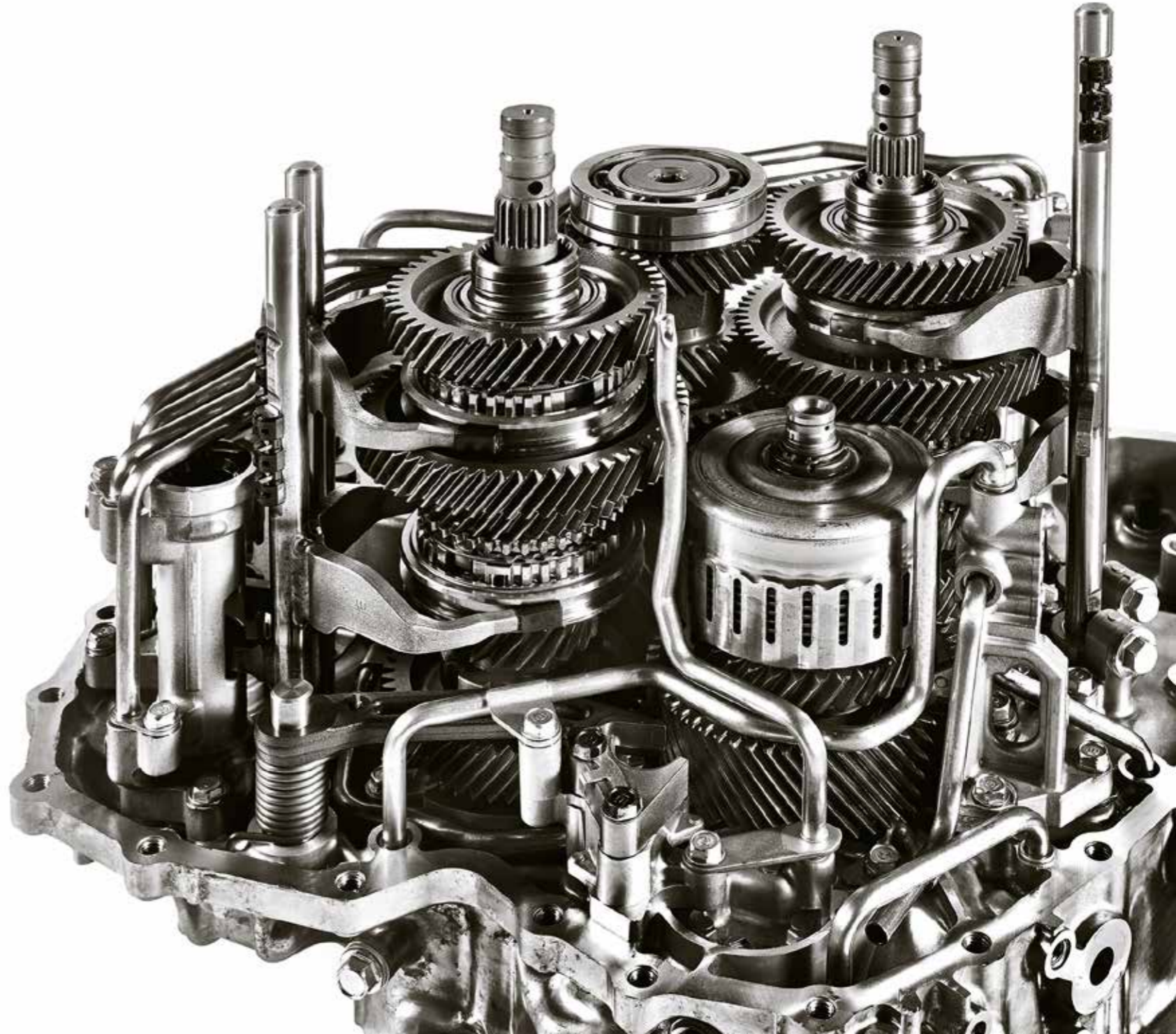
2.4L i-VTEC®

———— The direct-injection, aluminum block, rev-happy 2.4L is unarguable proof that great things come in lightweight packages. Access to the feverish 206 horsepower arrives via Drive-by-Wire throttle system, which provides extra sensitivity and response. Yet efficiency doesn't suffer: The TLX obtained a class-leading 24/35/28 EPA fuel-economy rating.¹

DUAL-CLUTCH

8 SPEED

———— The 2.4L TLX houses the world's first 8-speed Dual-Clutch Transmission (DCT) with a torque converter. The DCT allows lightning-fast gear changes, as one clutch governs odd gear numbers, and the other even. A torque converter amplifies torque for more immediate response and smoother delivery.



ACCELERATED THINKING



3.5L i-VTEC®

The 3.5-liter i-VTEC® V-6 delivers 290 horsepower and 267 lb-ft of torque. Variable Cylinder Management™ (VCM®) lets the V-6 switch to three cylinders whenever viable, a measure that greatly increases fuel efficiency. When you need more power, VCM® transitions back to six cylinders so seamlessly you will never know it happened. Excellent EPA fuel economy ratings are the result—21/34/25 for the TLX V-6 and 21/31/25 for the TLX V-6 SH-AWD®.¹

AUTOMATIC

9 SPEED

The smooth-shifting, 9-speed pushbutton automatic transmission marries performance and comfort, accommodating diverse driving scenarios with its wide range of gear ratios.

A NEW TRADITION

ELECTRONIC GEAR SELECTOR

Once you shift with your fingertips, you will never want to return to conventional shift levers. On the TLX 3.5L, a sleek, intuitive, button panel controls the stop and the go. Push for Drive, Neutral and Park. Pull for Reverse and Parking Brake. The lovely intangible is the open space it creates between the driver and passenger.





A LIGHTER, LEANER STATE OF BEING

MASS AND FLOW

Testing 40% scale models in the wind tunnel and testing materials and components in the lab, we have meticulously shaped and trimmed the TLX to reduce drag, lift, turbulence and rolling resistance. Weight has been reduced wherever possible. Lighter, tougher metals like aluminum, magnesium and ultra-high-strength steel have been used, improving rigidity and power-to-weight ratio while helping fulfill the promise of super-handling.



COLOR IT YOURS

BELLANOVA WHITE PEARL

SLATE SILVER METALLIC

GRAPHITE LUSTER METALLIC

BASQUE RED PEARL II

FATHOM BLUE PEARL

BLACK COPPER PEARL

CRYSTAL BLACK PEARL



BARELY DISGUISED

————— An ultra-stylish profile, luxurious interior and intuitive technology barely disguise its true nature. With a low, wide, aggressive stance, two high-revving powerplant choices and extraordinary handling capabilities, the TLX would look and feel right at home on the track.

HOME
SWEET
HOME



< SLIDE >

SEE TLX

SEE TLX GT

TLX

WELCOME TO THE
ILLUMINATED LIFE

JEWEL EYE® LED
HEADLIGHTS

————— An industry first, Acura's Jewel Eye® LED headlights use up to ten separate LED lamps to mimic sunlight, helping reduce fatigue at night. The intense, focused beam of light makes colors appear more vivid and helps you see what others cannot.

SETTLE IN SETTLE DOWN

COMFORT

———— The luxurious TLX cabin is driver-focused, but the passengers—settled into perfectly bolstered leather seats—will never suspect a thing. Both front seats feature three levels of heating. Cooling ventilation is also available. The GPS-linked climate control system² tracks the sun and adjusts the temperature accordingly.





PITCH PERFECT SILENCE

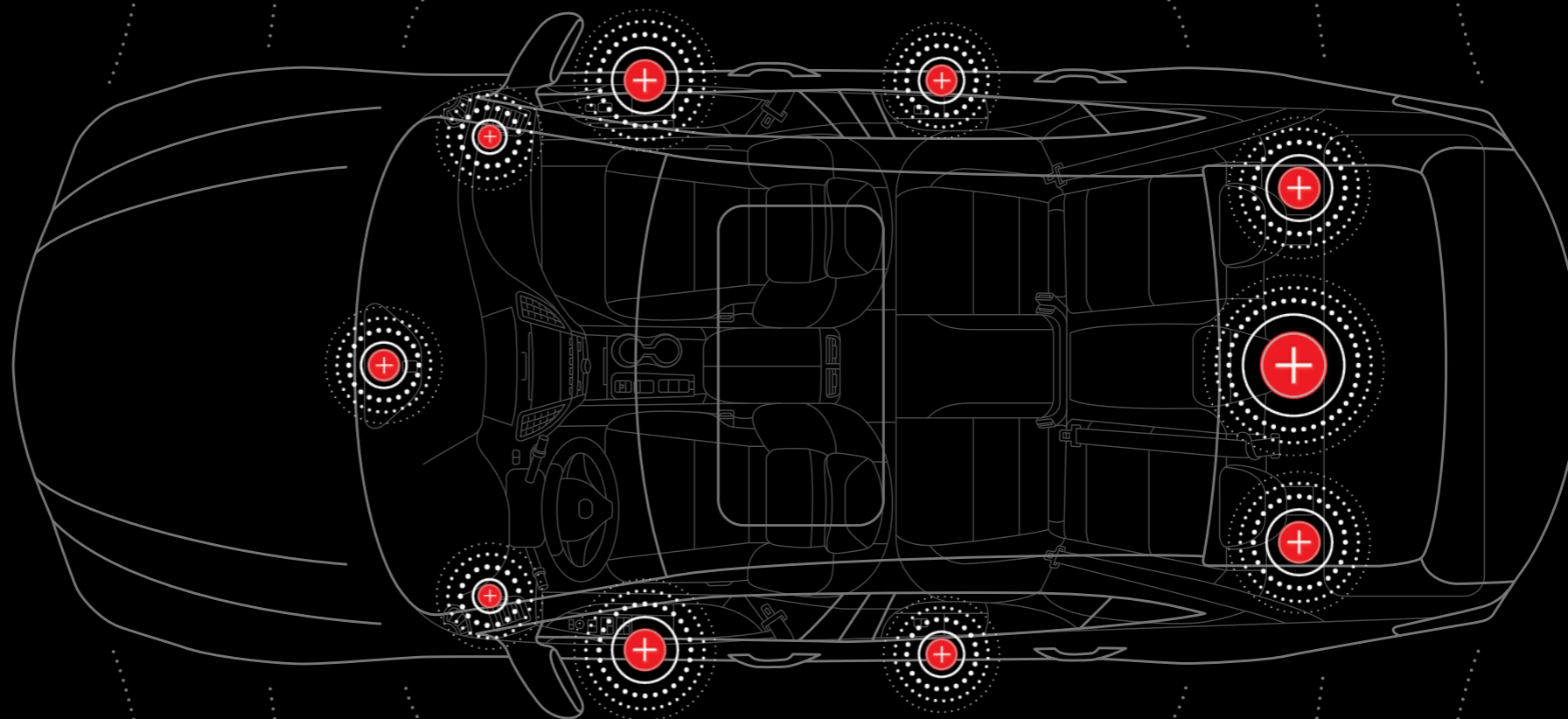
QUIET INTERIOR

Inside you find a haven of calm and quiet. Active Sound Control senses unwanted mechanical noise and emits opposing frequencies to help cancel out the slightest rumble. Acoustically dampened and thoroughly insulated with precisely sealing expanding foam, triple-sealed doors and hydraulic engine mounts, the TLX helps you maintain a very sheltered existence.

HEARD LOUD AND CLEAR

ELS STUDIO® PREMIUM AUDIO

Surround yourself with studio-quality sound. For lovers of audio performance, the TLX offers the available 10-speaker ELS Studio^{®3} Premium Audio System, developed by recording engineer Elliot Scheiner, winner of seven Grammy Awards[®]. As the TLX took shape, Elliot worked closely with Acura engineers, tuning the system to preserve sound integrity and precisely match the interior space.



LOOK WITHIN

PARCHMENT

GRAYSTONE

ESPRESSO

EBONY





THE LITTLE VOICE
IN MY HEAD TELLS
ME WHAT TO DO

EASE OF EVERYTHING

ACURALINK® NEXT-GENERATION CONNECTIVITY

Today it's not enough to just be connected. You need an intelligent way to access the cloud and the world beneath it. In addition to *Bluetooth*®⁵ audio integration and beyond conventional navigation, the available AcuraLink®⁶ system connects you to the content you want—from streaming your favorite Aha® music to providing you with 24-hour concierge service.

ACURALINK REAL-TIME TRAFFIC®

LIVE LINK CONCIERGE

LOCAL SEARCH

SONG BY VOICE®

ENHANCED ROADSIDE ASSISTANCE



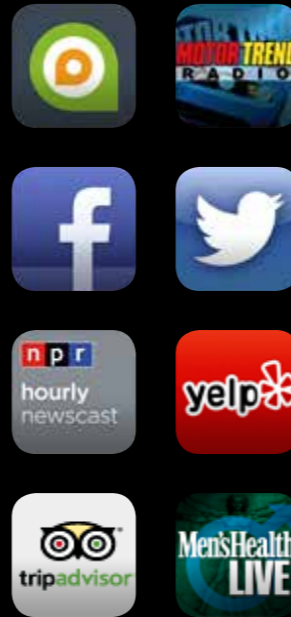
AN ALL-ACCESS PASS

CONNECT

NAVIGATE

INTEGRATE

ASSISTANCE

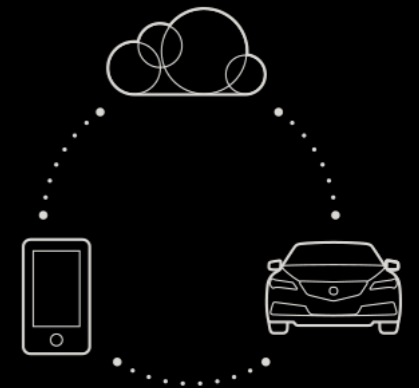


You can be in sync with your car even when you're apart. Acura Connect⁸ acts as a remote and gives you vital vehicle stats. Flash your lights, lock and unlock your car, or check tire pressure, fuel level and more remotely. It also gives you 24/7 concierge services and can even send destinations right to your TLX.

- LIVE LINK CONCIERGE
- LIVE LINK INFO
- VIRTUAL DASHBOARD
- VEHICLE STATUS
- REMOTE
- OWNER'S MANUAL
- MESSAGES
- DEALER LOCATOR

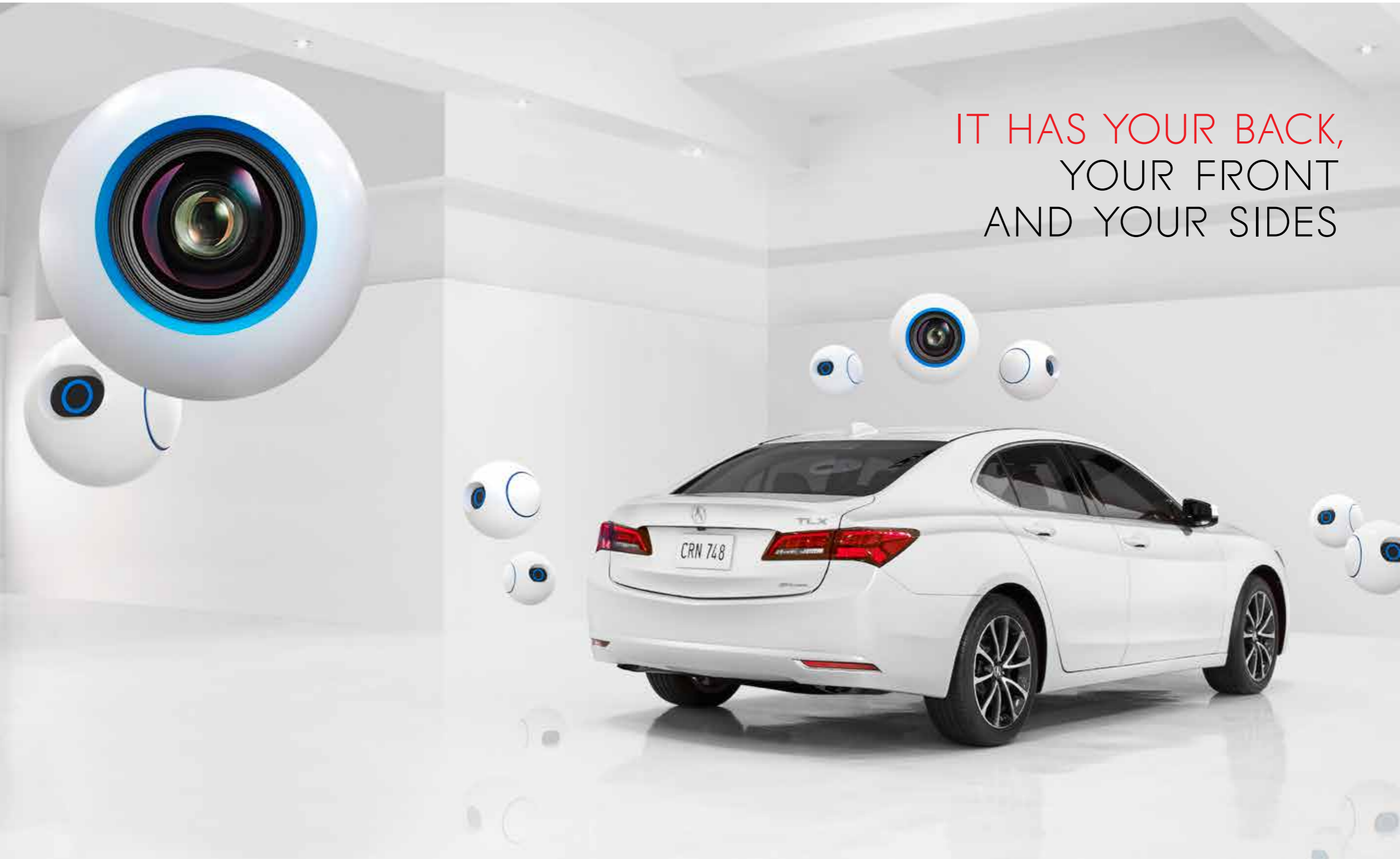
ANYTIME, ANYPLACE

Car meets cloud. No matter the device, you're always connected. Interacting with the car goes beyond having the keys in your hand. AcuraLink[®] Next Generation⁷ allows you to explore more, stay current with information and save time.



TLX

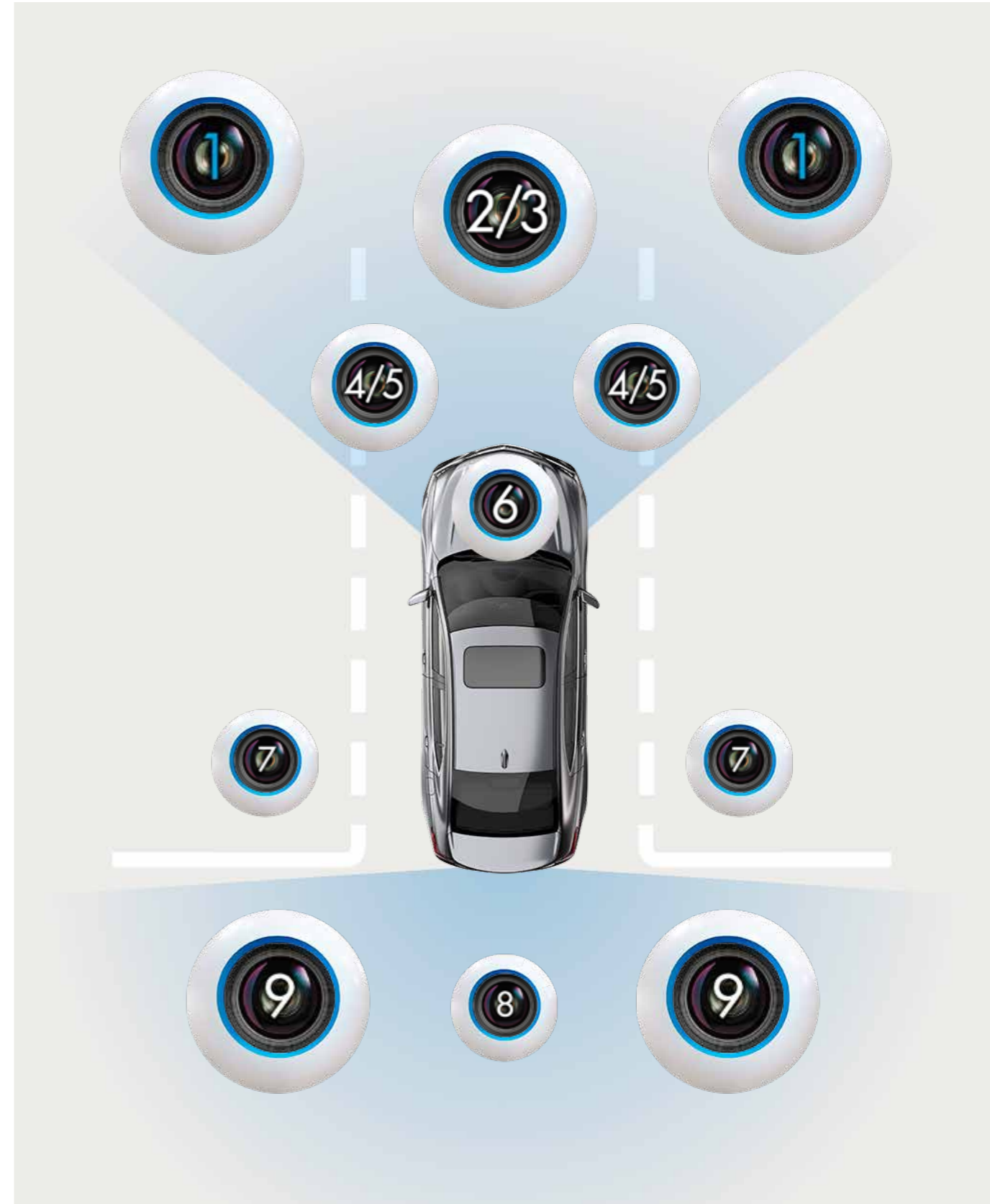
IT HAS YOUR BACK,
YOUR FRONT
AND YOUR SIDES

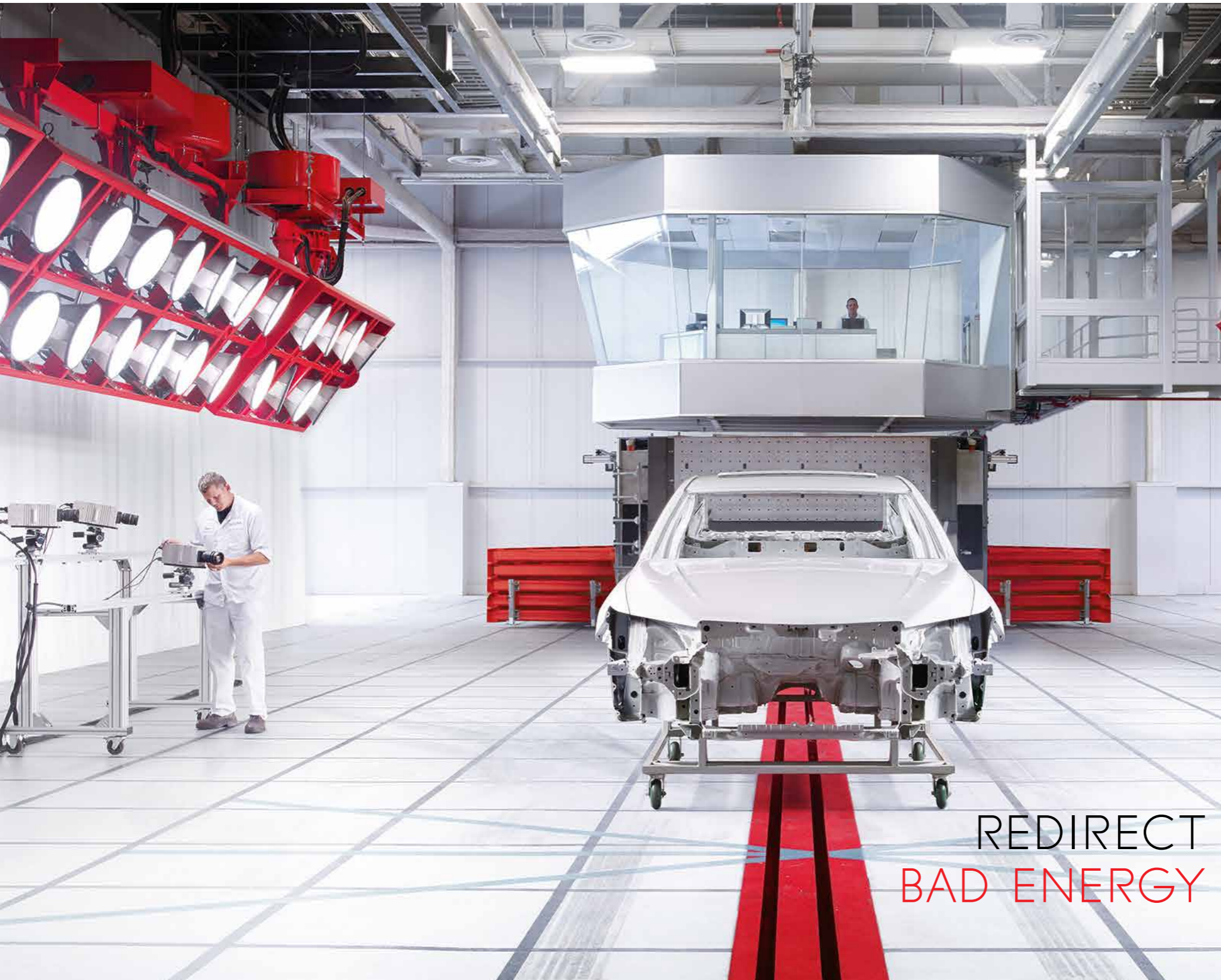


ACURAWATCH

————— Hard at work in the TLX is AcuraWatch™, a network of sensing technologies. These advanced driver-assistance features constantly gather information and offer warnings. Some systems can even take action when necessary—all to help prevent, avoid or minimize threats.

- 1** ROAD DEPARTURE MITIGATION
With new camera technology, available Road Departure Mitigation can sense more than just lane markings. The system has ability to detect parked cars, pedestrians, mailboxes, and other objects. It can help steer and even apply the brakes when necessary to keep the car from leaving the road.





REDIRECT
BAD ENERGY

ADVANCED COMPATIBILITY ENGINEERING

Using a network of connected structural elements, the Advanced Compatibility Engineering™ (ACE™) body structure distributes frontal crash energy more evenly throughout the vehicle. This not only helps reduce the forces transferred to the passenger compartment, but it also helps disperse the forces transferred to the other vehicle in an impact. In addition to ACE™, the front door areas are each composed of a single piece of hot-stamped, ultra high-strength steel. It's just one of many ways the TLX body is designed to help absorb and redirect energy to protect its occupants.

*It's that kind
of thrill*



2015 ACURA TLX | SPECIFICATIONS

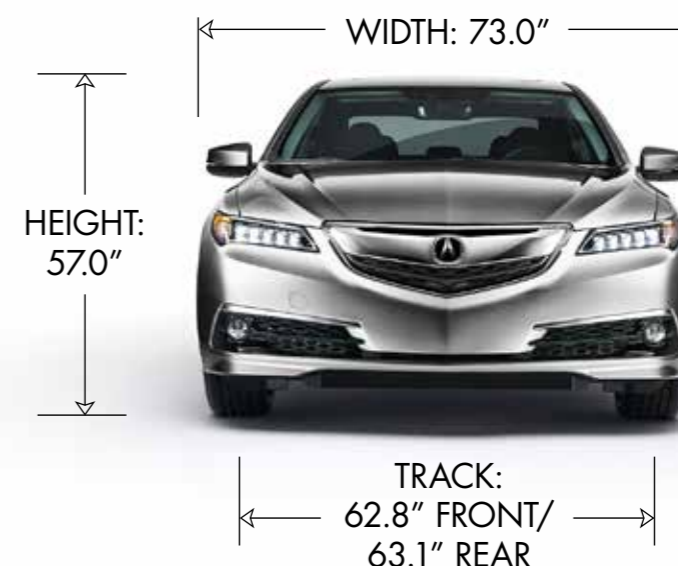
ENGINE	TLX	TLX V-6	TLX V-6 SH-AWD
Engine Type	Direct-Injection 4-Cylinder	Direct-Injection V-6	Direct-Injection V-6
Displacement (liters)	2.4	3.5	3.5
Horsepower @ rpm (SAE net)	206 @ 6,800	290 @ 6,200	290 @ 6,200
Torque (lb-ft @ rpm) (SAE net)	182 @ 4,500	267 @ 4,500	267 @ 4,500

FUEL ECONOMY – CAPACITIES – WEIGHTS

EPA Fuel Economy Ratings ¹ (City/Highway/Combined)	24/35/28	21/34/25	21/31/25
Recommended Fuel ¹⁶	Premium Unleaded 91-Octane		
Fuel Tank Capacity (U.S. Gallons)	17.2	17.2	17.2

INTERIOR DIMENSIONS

Headroom (in, front/rear)	37.2 / 36.7	37.2 / 36.7	37.2 / 36.7
Legroom (in, front/rear)	42.6 / 34.5	42.6 / 34.5	42.6 / 34.5
Shoulder Room (in, front/rear)	57.5 / 55.4	57.5 / 55.4	57.5 / 55.4
Hiproom (in, front/rear)	55.3 / 54.9	55.3 / 54.9	55.3 / 54.9
EPA Passenger Volume (cu ft)	93.3	93.3	93.3
EPA Cargo Volume (cu ft, without/with Advance Package)	13.2	13.2 / 14.3	13.2 / 14.3



TLX

THERE'S MORE TO DISCOVER AT
[ACURA.COM](https://www.acura.com)



[REQUEST A QUOTE](#)

[BUILD AND PRICE](#)

[LOCATE A DEALER](#)

[CURRENT OFFERS](#)

[SIGN UP FOR EMAIL](#)

2015 ACURA TLX | OWNER BENEFITS

When you purchase a vehicle with the exceptional quality of an Acura, you expect service and support to be of the same caliber. After all, a premium automobile is only part of the ownership experience. With Acura, you also get a commitment. To personalized care. To attentive service. This commitment is apparent the moment you first enter an Acura dealership and for years down the road. It comes from a belief that every aspect of owning an Acura should be an enjoyable and rewarding experience.

ACURA LIMITED WARRANTIES¹⁷

All Acura vehicles and any Acura genuine accessories installed by the dealer at the time of vehicle purchase have a four-year/50,000-mile limited warranty. Acura vehicles are also covered by a six-year/70,000-mile limited powertrain warranty. In addition, outer body rust-through is covered by a five-year/unlimited-mile limited warranty.

ACURA FINANCIAL SERVICES

From leasing and financing to protecting your vehicle after your warranty expires to helping you determine which Acura fits your budget, Acura Financial Services (AFS) provides you with the convenience, options and service to complement your life. For more information, go to acurafinancialservices.com.

ACURA CARE

Additional peace of mind can be had with Acura Care program—comprehensive vehicle and travel protection beyond the initial warranty period. See your Acura dealer for all the features and benefits available with this program.

TOTAL LUXURY CARE (TLC)

Acura's commitment to your satisfaction doesn't end with the delivery of a world-class vehicle. As an Acura owner, you'll enjoy an array of services, like the Acura Concierge[®] for 24-hour weather information, insurance claims assistance or help in planning a trip; trip-interruption benefits, like alternative transportation, lodging and meals; and a 24-hour Roadside Assistance program.

ACURALINK[®] OWNERS MOBILE APP⁷

Use your smartphone to connect with an Acura agent at the push of a button. Access a full range of Acura Roadside Assistance services using your Android[®] device or iPhone^{®4}, including comprehensive towing, lockout assistance, battery jump-start, tire change and fuel delivery, with your phone's GPS technology providing your exact location. You can use the app to view scheduled time of arrival and contact information for the dispatched service provider. The app also offers a priority emergency button for urgent situations. Visit the iTunes Store^{®4} or shop Google Play[™] to download this free app.



AcuraLink

ACCESSORIES

When it comes to personalizing, choose Acura genuine accessories that are crafted to the same strict levels of quality as the rest of your Acura. See your Acura dealer for a complete list of accessories or go to acura.com.

1-800-TO-ACURA

Operators are available 24 hours a day to help answer your Acura questions.

ACURA.COM

Learn more about Acura vehicles, including the latest specifications; see photo galleries and technology videos; and find out how our vehicles compare to the competition. You can also build and price your Acura, see current offers and even get a quote from an Internet-certified Acura dealer.

OWNERS.ACURA.COM

The online help doesn't end when you take possession of your vehicle. Your complimentary Acura Owners personalized website gives the most current information about your vehicle, provides tips on how to care for your Acura, lets you keep a personalized maintenance record, sends you service reminders and lets you schedule service appointments online.

- 1 Based on 2015 EPA mileage ratings. Use for comparison purposes only. Your actual mileage will vary, depending on how you drive and maintain your vehicle, driving conditions, battery pack age/condition (hybrid only) and other factors.
- 2 Acura Navigation System and related features available only in the United States, Puerto Rico and parts of Canada. See your local Acura dealer for information regarding navigation system area coverage.
- 3 ELS Surround® and ELS Studio® are registered trademarks of Panasonic Corporation of North America. All rights reserved.
- 4 Siri® and iPhone® are registered trademarks of Apple, Inc., registered in the U.S. and other countries.
- 5 The *Bluetooth*® word mark and logos are owned by the *Bluetooth* SIG, Inc., and any use of such marks is under license.
- 6 Many AcuraLink features are free of charge. Live call assistance & security and mobile interactive features require a subscription. Live concierge requires a separate subscription. Subscriptions available for free three-month trial.
- 7 Compatible with select smartphones. Your wireless carrier's rate plans apply.
- 8 Credit card and AcuraLink® Next Generation enrollment required to sign up for 90-Day Free Trial of AcuraLink Premium. For owners with Standard package enrollment, credit card will be billed for 1-year Premium package subscription if 90-Day Free Trial not cancelled by day 90. For owners with Connect package enrollment, credit card will be immediately billed for 1-year Connect package subscription, and the difference between the 1-year Connect and Premium packages will be charged if 90-Day Free Trial not cancelled by day 90. For owners with Premium package enrollment, credit card will be immediately billed for 1-year Premium package subscription. If you cancel by day 90, you will be refunded the Premium package subscription fee. If you do not cancel, your 1-year AcuraLink Premium subscription begins – giving you 15 months for the price of 12.
- 9 AcuraLink Real-Time Traffic is operable only in select markets within the 48 contiguous United States, as well as Vancouver, Toronto and Montreal. The service is available at no cost for three years after purchase whereupon it will continue to be available on a subscription basis.
- 10 FCW cannot detect all objects ahead and may not detect a given object; accuracy will vary based on weather, speed and other factors. System operation affected by high interior heat. FCW does not include a braking function. Driver remains responsible for safely operating vehicle and avoiding collisions.
- 11 Adaptive Cruise Control (ACC) with Low-Speed Follow cannot detect all objects ahead and may not detect a given object; accuracy will vary based on weather, speed and other factors. ACC should not be used in heavy traffic, poor weather or on winding roads. The driver remains responsible for avoiding a collision.
- 12 CMBS is designed to primarily detect other vehicles but may not recognize small vehicles such as motorcycles or other stray objects that may appear on the road. CMBS may not go through all of the alert stages before initiating the last stage of collision mitigation. The driver remains responsible to slow or stop the vehicle to avoid a collision.
- 13 LDW only alerts drivers when lane drift is detected without a turn signal in use. LDW may not detect all lane markings or lane departures; accuracy will vary based on weather, speed and road condition. System operation affected by extreme interior heat. Driver remains responsible for safely operating vehicle and avoiding collisions.
- 14 LKAS (Lane Keeping Assist System) only operates when lane drift is detected without a turn signal in use. LKAS may not detect all lane markings or lane departures; accuracy will vary based on weather, speed and road condition. System operation affected by extreme interior heat. Driver remains responsible for safely operating vehicle and avoiding collisions.
- 15 Always visually confirm that it is safe to drive before backing up; the rear view camera display does not provide complete information about all conditions and objects at the rear of your vehicle.
- 16 Some models require premium fuel and for others, it's recommended. Consult your dealer for details.
- 17 Ordinary maintenance items or adjustments, parts subject to normal wear and replacement, and certain other items are excluded.

©2014 Acura. Acura, TLX, the stylized "A" logo, Acura Care, Acura Concierge, Acura Financial Services, AcuraLink, AcuraLink Real-Time Traffic, AcuraWatch, Advanced Compatibility Engineering (ACE), Agile Handling Assist, Automated Appointments, Collision Mitigation Braking System (CMBS), HandsFreeLink, Jewel Eye, On Demand Multi-Use Display (ODMD), Precision All-Wheel Steer (P-AWS), Song By Voice, Super Handling All-Wheel Drive (SH-AWD), Total Luxury Care (TLC), Traffic Rerouting, Variable Cylinder Management (VCM), and i-VTEC are trademarks of Honda Motor Co., Ltd. Covered by patent rights issued and/or pending. Specifications, features, illustrations, and equipment shown in this catalog are based on the latest available information at the time of publication. Although descriptions are believed to be correct, accuracy cannot be guaranteed. All images contained herein are either owned by American Honda Motor Co., Inc., or used under a valid license. It is a violation of federal law to reproduce these images without express written permission from American Honda Motor Co., Inc., or the individual copyright owner of such images. American Honda Motor Co., Inc., reserves the right to make changes at any time, without notice or obligation, in colors, specifications, accessories, materials, and models. Aha, the Aha logo, and the Aha trade dress are trademarks or registered trademarks of Harman International Industries. Android is a registered trademark of Google, Inc., registered in the U.S. and other countries. Printed in the U.S.A. 150M 7/14 E55008