

BMW M4 Coupe  
BMW M3 Sedan



The Ultimate  
Driving Machine®



**THE NEW BMW M4 COUPE.  
THE NEW BMW M3 SEDAN.**





---

## THE NEW BMW M4 COUPE. THE NEW BMW M3 SEDAN. ONE WITH THE MACHINE.

---

### THE MODELS SHOWN.

- 04 BMW M4 COUPE:**  
M TwinPower Turbo inline six-cylinder engine, 425 hp; 19-inch Double Spoke black forged light alloy wheels (Style 437M); exterior in Austin Yellow Metallic; seats upholstered in Black Full Merino Leather; Carbon Fiber interior trim with Black Chrome highlight.
- 12 BMW M3 SEDAN:**  
M TwinPower Turbo inline six-cylinder engine, 425 hp; 19-inch Double Spoke Ferric Gray forged light alloy wheels (Style 437M); exterior in Yas Marina Blue Metallic; seats upholstered in Silverstone Full Merino Leather; Carbon Fiber interior trim with Black Chrome highlight.

For exclusive BMW photos, behind-the-scenes videos, and the latest BMW news:

-  Like us on Facebook®: [facebook.com/bmwusa](https://facebook.com/bmwusa)
-  Follow us on Twitter®: [twitter.com/bmwusa](https://twitter.com/bmwusa)
-  Find us on YouTube™: [youtube.com/bmwusa](https://youtube.com/bmwusa)
-  Follow us on TUMBLR®: [bmwusa.tumblr.com](https://bmwusa.tumblr.com)

---

### INNOVATION AND TECHNOLOGY.

- 24 M TWIN POWER TURBO ENGINE:**  
Power with maximum efficiency.
- 26 INTELLIGENT LIGHTWEIGHT CONSTRUCTION AND ATHLETIC DESIGN:**  
The art of engineering – at its most powerful.
- 28 CHASSIS AND PERFORMANCE TECHNOLOGY:**  
Systems to enhance driving pleasure.
- 30 BMW CONNECTED DRIVE®:**  
So connected, you're free.

---

### INDIVIDUALITY AND VERSATILITY.

- 32 EXTERIOR COLORS AND UPHOLSTERY**
- 34 BUILD YOUR OWN**
- 35 BMW M SCHOOL**
- 36 TECHNICAL DATA**
- 38 BMW SERVICES:**  
Exclusive offers for BMW customers.

Leather: Leather on all seating surfaces; other components may be Leather or SensaTec. Wheel and tire specifications are subject to change. Get the latest information on BMW standard and optional features, packages and technical specifications. Visit [bmwusa.com](https://bmwusa.com), select the BMW model of your choice, and click on "Features & Specs."



# TRAIL BLAZERS

## ONE WITH THE MACHINE.

Maximum performance at the limit. The new BMW M4 Coupe and new BMW M3 Sedan defy the laws of physics – two icons that yet again set higher standards with unprecedented precision. But they don't just push the physical limits. They also extend the boundaries for the driver, making what was once thought impossible, possible – when man and machine become one.





**AN ENGINE YOU IGNITE.  
WITH DYNAMIC RESULTS.**



<sup>1</sup> BMW AG preliminary test results. See pages 36–37 for detailed technical data.  
Get the latest information on BMW standard and optional features, packages and technical specifications.  
Visit [bmwusa.com](http://bmwusa.com), select the BMW model of your choice, and click on "Features & Specs."

The M TwinPower Turbo engine delivers the best of both worlds: a high-revving concept with up to 7600 rpm at redline and highly efficient power delivery – with peak torque of 406 lb-ft and output of 425 hp readily at your command. With the 7-speed M Double Clutch Transmission, it takes only 3.9 seconds to reach 60 mph.<sup>1</sup> The overall concept, now in its fifth generation, has reached a new peak of technical perfection. And you will feel the results from the word go.





**THE TIME IS RUNNING.  
IT'S THE ONLY CHANCE IT HAS.**



A BMW M vehicle is a natural leader – and conspicuously so. The aerodynamic M design is one of many attributes with which the new BMW M4 Coupe shows its leading-edge superiority. The Air Breathers and M side gills on the flanks minimize air resistance. The intercooler beneath the characteristic powerdome is part of a race-grade cooling system that ensures the ideal temperature of the engine, turbocharger and transmission. The front apron, with its large Air Curtain, also contributes here. The trunk lid's integrated gurney serves to further reduce lift. And from the black carbon fiber roof to the distinctive forged light alloy wheels, every detail is focused on one goal: totally immersive driving dynamics right through to the limits.





**BREATH TAKING.**



**POWER YOU CAN CONTROL  
BUT NEVER TAME.**



The apex of the curve is clearly in sight, the machine under perfect control. Like the new BMW M4 Coupe, the new M3 Sedan has been designed using Motorsport technology for pure dynamics at the performance limit. The aerodynamic M design, meanwhile, does more than showcase your commanding position. It also helps you hold your lead in the race.



Master every driving situation. A perfected lightweight construction concept and an extremely low center of gravity provide the basis for exceptional handling characteristics. The intelligent material mix of carbon, aluminum and magnesium ensures outstandingly low vehicle weight. And thousands of test laps have proved, without question, the top flight credentials of the BMW M4 Coupe and M3 Sedan – unparalleled agility and dynamism.



**CARBON. ALUMINUM. MAGNESIUM. ADRENALINE.**





## PUT THE BRAKES ON PHYSICS.



Everything is designed for maximum control in the driver-orientated cockpit. All elements – such as the M sport seats with their bucket-style character and the M steering wheel – ensure perfect ergonomics and command of the vehicle, even in the most dynamic situations. M Carbon Ceramic brakes reduce weight even more and, with their larger discs and increased number of pistons, further optimize performance, the Motorsport feel and service life. The available M-specific Head-up Display projects the most important data into your field of vision – so you always keep your eyes on the road. Because what you can see, you can master.

Get the latest information on BMW standard and optional features, packages and technical specifications. Visit [bmwusa.com](http://bmwusa.com), select the BMW model of your choice, and click on "Features & Specs."



**YOU DECIDE  
WHO COMES FIRST.**

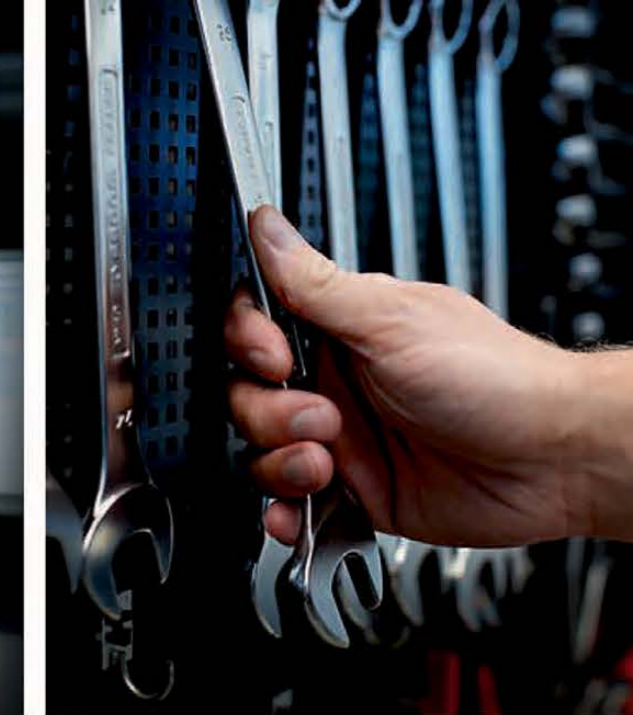




**FORGET THE GARAGE.  
YOU'LL NEED A CAGE.**







# INNOVATION AND TECHNOLOGY.

**M TWIN POWER TURBO ENGINE:** Power with maximum efficiency.

**INTELLIGENT LIGHTWEIGHT CONSTRUCTION AND ATHLETIC DESIGN:**  
The art of engineering – at its most powerful.

**CHASSIS AND PERFORMANCE TECHNOLOGY:** Systems to enhance driving pleasure.

**BMW CONNECTED DRIVE®:** So connected, you're free.



## M TwinPower Turbo engine. Performance with maximum efficiency.

Experience a new dimension of driving enjoyment and efficiency with innovative BMW engines featuring M TwinPower Turbo technology. A milestone of the BMW EfficientDynamics strategy, they combine the latest fuel injection technology and fully variable valve control with innovative turbocharging technology to increase dynamism and efficiency. The result: pure driving pleasure.



### M TWIN POWER TURBO INLINE SIX-CYLINDER ENGINE.

A passion for innovation and technology, combined with many years of motorsport experience, flow into every engine developed by BMW M. It follows that the interplay of all components in the M TwinPower Turbo engines, including M TwinPower Turbo technology with Double-VANOS and Valvetronic, two weight-optimized mono-scroll turbochargers, the forged crankshaft and the track-ready cooling system, deliver outstanding responsiveness and maximum performance output. At the same time, emissions and fuel consumption are reduced.



### BMW M4 Coupe / BMW M3 Sedan.

- 3.0-liter BMW M TwinPower Turbo inline six-cylinder with 425 hp and 406 lb-ft of torque
- Acceleration 0–60 mph<sup>1</sup>: 4.1 seconds (3.9 seconds with 7-speed M Double Clutch Transmission)
- Top speed: 155 mph (limited electronically)
- Fuel consumption – city/highway<sup>2</sup>: 17/26 mpg (17/24 mpg with 7-speed M Double Clutch Transmission)

<sup>1</sup> BMW AG preliminary test results.

<sup>2</sup> EPA-estimated figures are for comparison purposes only. Your actual mileage will vary, depending on speed, driving habits, trip length and driving conditions; actual mileage will most likely be lower. Preliminary figures are subject to change. For more information, see pages 36–37. Get the latest information on BMW standard and optional features, packages and technical specifications. Visit [bmwusa.com](http://bmwusa.com), select the BMW model of your choice, and click on "Features & Specs."



## Intelligent lightweight construction and athletic design.

### The art of engineering – at its most powerful.

The BMW M4 Coupe and M3 Sedan deliver maximum driving pleasure along with outstanding performance and fuel consumption, thanks to BMW EfficientDynamics measures, such as intelligent lightweight construction in combination with athletic design.



BMW M engineers are always exploring the development of intelligent vehicle concepts. And the results, from drivetrain innovations through to body components, are integrated specifically into M vehicles – for exceptional driving performance with impressive efficiency.

**M TwinPower Turbo technology** featuring a high-rev concept combines performance with efficiency. Innovative turbo technology, high-precision direct injection, Double-VANOS and Valvetronic variable valve control, and the high-rev principle ensure immediate responsiveness, linear power development over a wide range of engine speeds, and a unique sound.

**Intelligent lightweight construction** is a peak priority in M vehicles. This is because low weight is the optimum platform for the best driving dynamics and exemplary efficiency. Ultralight materials, such as magnesium, aluminum and carbon fiber-reinforced-plastic (CFRP), are used in many components. This all ensures greater agility and dynamism, including improved acceleration and braking.

The outstanding driving dynamics, stability, controllability and cooling of M vehicles, especially at high speeds, are optimized by BMW's comprehensive, coordinated **aerodynamic engineering**.



With **Brake Energy Regeneration**, the alternator generates electricity primarily when you brake or take your foot off the accelerator. Previously unused kinetic energy is transformed into electrical energy and fed into the battery.

**The Auto Start-Stop function** switches the engine off when the vehicle comes to a temporary standstill (for example, at traffic lights or in a traffic jam) to reduce overall fuel consumption. With the 6-speed manual transmission, the engine switches off when stopped in neutral. As you press on the clutch pedal to select a gear, the engine starts up again in a fraction of a second. Equipped with the 7-speed M Double Clutch Transmission, the engine switches back on the moment you take your foot off the brake.

**Carbon fiber-reinforced-plastic roof.** As part of the BMW intelligent lightweight construction concept, the roof is made of carbon fiber-reinforced-plastic (CFRP), helping to reduce the car's mass while also lowering its center of gravity. This increases agility and dynamics when cornering, accelerating and braking.



## A superior chassis. The best foundation for dynamic performance.

Conventional rules do not apply to the new BMW M4 Coupe and the new M3 Sedan. As independent productions of BMW M, they are faithful to the M philosophy and perfectly combine high performance with everyday practicality. To fulfill these high aspirations, the intricately constructed M high-performance chassis has been entirely redeveloped to maximize your active safety quotient – and your driving pleasure.



The intelligent networking of chassis components and control systems ensure maximum driving dynamics and agility as well as a high degree of precision and control. Experience alluringly authentic driving feel.

The **Active M Differential** optimizes traction and driving stability when changing lanes, cornering at high speed, accelerating out of curves, or driving on roads with uneven surfaces. Traction is improved via an electronically controlled device that reduces the difference in revolution speed between the rear wheels.

**M Dynamic Mode** enables the maximum utilization of lateral and longitudinal dynamic potential for a particularly authentic driving experience. It works by raising the intervention threshold of the Dynamic Stability Control (DSC) system, although the driver is still supported in critical situations.

With **Adaptive M Suspension**, electronic control of the shock absorbers ensures optimized road contact and traction in any situation. The suspension settings can be adjusted from comfortable to sporty via the COMFORT, SPORT and SPORT+ modes.



**M-developed electric power steering with Servotronic** adjusts the power steering to suit the current speed and, even at high speeds, ensures direct and precise steering responses. It also provides excellent comfort by minimizing the effort required for steering, as well as maximizing agility when parking, maneuvering and navigating narrow or twisting roads.

The **7-speed M Double Clutch Transmission (M DCT) with Drivelogic** is an innovative dual-clutch system specially designed for the high-revving BMW M engine. It enables extremely fast gear changes without any loss of tractive force. Two sub-transmissions, each with its own clutch, continuously relay engine power to the rear wheels.

With **M Carbon Ceramic brakes**, braking power is implemented more directly. They don't corrode and tolerate more heat, are highly resistant to abrasion and contribute to lower vehicle weight, which has a positive impact on agility, dynamics and acceleration. Gold-painted brake calipers with the M logo make this special technical feature visible from the outside of the car.



## BMW ConnectedDrive®

So connected, you're free.

Every day, our world is becoming increasingly networked. Many BMW drivers, however, are better connected than the rest, thanks to BMW ConnectedDrive – an ever-widening spectrum of standard and optional technologies that strengthen the bond between you, your BMW and the outside world. For example, BMW Apps integrate with your smartphone to provide many forms of in-cabin infotainment – such as social networking and music sources – as well as keeping you in touch with family and friends.



The **M-specific Head-up Display** uses a multi-color TFT to project the image toward the windshield more in your line of vision, so you can easily keep your eyes on the road while checking important travel information, such as your current speed, Check Control data and Navigation system directional arrows.

BMW ConnectedDrive services include **BMW Assist eCall™**, **TeleService**, and **USB audio connection and hands-free Bluetooth®**, providing peace of mind while on the road. **BMW Navigation** provides a host of options and services to keep you in control and informed about traffic, directions and more, wherever you go. **Driver assistance systems** monitor everything around you – traffic, pedestrians, animals and road signs – notifying you of current conditions and warning of potential hazards. To learn more, visit [bmwusa.com/connecteddrive](http://bmwusa.com/connecteddrive).



The camera-based components of **Active Driving Assistant** enhance active safety. Lane Departure Warning,<sup>1</sup> including camera-based Frontal Collision Warning, registers lane markings up to 160 feet away and at speeds over 37 mph. If you drive over the left or right lane markings without using turn signals, the system warns you by vibrating the steering wheel. City Collision Mitigation can actively help prevent or reduce the severity of collisions by actively applying or priming the brakes. Pedestrian Protection works by day only, at speeds up to 40 mph. Primarily a mitigation system, it gives acute audio and visual alerts, and primes the brakes.



**Parking Assistant** searches for suitable parallel parking spots and then steers your vehicle into the one you choose. Simply press the "Park Assistant" button, then drive along potential parking spaces on either side of the road, staying below 22 mph and no more than five feet away. Using ultrasonic sensors integrated into the side indicators, the system searches for and measures parking spaces. When a space at least four feet longer than your vehicle is spotted, it is shown on your Control Display. Shift into reverse and Parking Assistant takes control of steering your vehicle into the selected space; you operate the accelerator and brake pedals. The acoustic and visual warnings of Park Distance Control provide assistance.

**BMW M Laptimer** is a tool for analyzing data on racetracks and automatically calculating lap times. The app records precise BMW sensor data directly from every BMW model fitted with BMW Apps.<sup>2</sup> Your driving style can be interpreted from a wide range of recorded sensor data, including your vehicle's steering angle, accelerator pedal and G-force. Improve your lap times by analyzing this data to increase your driving skill and precision. Share a summary of your track day on Facebook® and Twitter®, or email a recording of your laps to a friend and compare your track performances, turn by turn.

<sup>1</sup> Requires clearly definable lane markings that are not obscured by rain, snow, etc. The feature is not a substitute for the driver's own responsibility in maintaining safe control of the vehicle.

<sup>2</sup> Only available in vehicles with BMW Navigation system.



## EXTERIOR COLORS.



**300** Alpine White (Non-metallic)

**A96** Mineral White Metallic

**A29** Silverstone Metallic



**B39** Mineral Gray Metallic

**475** Black Sapphire Metallic

**B68** Yas Marina Blue Metallic



**B67** Austin Yellow Metallic

**B50** Sakhir Orange Metallic

## UPHOLSTERY COLORS AND MATERIALS.



**CSAT** Anthracite/Black Carbon Structure Cloth/Leather combination



**LKA9** Silverstone Extended Merino Leather



**LKDA** Sakhir Orange/Black Extended Merino Leather



**LKJR** Sonoma Beige Extended Merino Leather



**LKSW** Black Extended Merino Leather



**X3A9** Silverstone Full Merino Leather



**X3DA** Sakhir Orange/Black Full Merino Leather



**X3JR** Sonoma Beige Full Merino Leather



**X3SW** Black Full Merino Leather

These pages show available colors and materials for the BMW M4 Coupe and M3 Sedan. Please note that these samples are representations; they are not exact reproductions. To see the actual colors, visit your authorized BMW center. They will be happy to show you original samples.

For details on the availability of standard and optional exterior paints and upholstery colors and materials, please visit [bmwusa.com/byo](http://bmwusa.com/byo).

Leather upholstery: Leather on all seating surfaces; other components may be Leather or SensaTec.



## BUILD YOUR OWN BMW – AT [BMWUSA.COM/BYO](http://BMWUSA.COM/BYO).



At BMW, we want you to create your own Ultimate Driving Machine®. That's why BMW offers one of the widest model ranges of any luxury automotive manufacturer. And each BMW model offers its own universe of personalizing possibilities.

It's easy to get the latest information on your favorite BMW model, whether you're at your desk or on the go. Visit [bmwusa.com](http://bmwusa.com) on your computer, tablet or smartphone, and click on the BMW model of your choice. Select **"Features & Specs"** to see all the standard features and available options and packages, as well as technical specifications.

You can then create the exact BMW model that fulfills your needs by clicking on **"Build Your Own"** – or visiting [bmwusa.com/byo](http://bmwusa.com/byo). Here you'll be able to select from among the many interior and exterior colors and trims, personalizing options and value-added packages. Build a BMW model that reflects your style, then view it in 360° detail. At the press of a button, see payment and financing options, get a same-day quote, download a product brochure and even schedule a test drive. BMW makes it easier than ever to make your ultimate driving dreams come true, at [bmwusa.com](http://bmwusa.com).

## BMW M SCHOOL.



### BMW PERFORMANCE CENTER.

Learn what high-performance driving is all about at M School, located at the BMW Performance Center in Spartanburg, SC. In One- and Two-Day M Schools, you'll learn how to slalom. How to drift. How to push an Ultimate Driving Machine® to the limits. With confidence. You'll become smoother, your reaction times will decrease, and you'll have the time of your life. For details, visit [bmwusa.com/pds](http://bmwusa.com/pds).



	M4 Coupe	M3 Sedan
--	----------	----------

Weight			
Unladen weight	lbs	3530 [3585]	3540 [3595]
Weight distribution, front / rear	%	51.8/48.2 [52.3/47.7]	51.6/48.4 [52.2/47.8]
Permitted payload	lbs	860	980

Engine			
Type / cylinders / valves per cylinder		TwinPower Turbo / Inline 6 / 4	TwinPower Turbo / Inline 6 / 4
Displacement	cc	2979	2979
Bore / stroke	inch	3.3/3.5	3.3/3.5
Nominal output / rpm	hp	425/5500–7300	425/5500–7300
Maximum torque / rpm	lb-ft	406/1850–5500	406/1850–5500
Compression ratio	:1	10.2	10.2

Transmission			
Gear ratios – 6-speed manual			
I / II / III	:1	4.11/2.32/1.54	4.11/2.32/1.54
IV / V / VI / R	:1	1.18/1.00/0.85/3.73	1.18/1.00/0.85/3.73
Final drive ratio	:1	3.46	3.46

Gear ratios – 7-speed M Double Clutch Transmission			
I / II / III / IV	:1	4.81/2.59/1.70/1.28	4.81/2.59/1.70/1.28
V / VI / VII / R	:1	1.00/0.84/0.67/4.17	1.00/0.84/0.67/4.17
Final drive ratio	:1	3.46	3.46

Performance			
Top speed <sup>1</sup>	mph	155	155
Acceleration 0–60 mph <sup>2</sup>	sec	4.1 [3.9]	4.1 [3.9]

Fuel consumption <sup>3</sup>			
City / highway	mpg	17/26 [17/24]	17/26 [17/24]
Tank capacity, approximate	gal	15.8	15.8

Tires, wheels and brakes			
Performance tire dimensions <sup>4</sup>	front	255/40	255/40
	rear	275/40	275/40
Wheel dimensions – material	front	18x9.0 – forged light alloy	18x9.0 – forged light alloy
	rear	18x10.0 – forged light alloy	18x10.0 – forged light alloy
Brake diameter, front/rear – type	inch	15/14.6 – ventilated disc	15/14.6 – ventilated disc

Figures in [ ] apply to vehicles with 7-speed M Double Clutch Transmission.

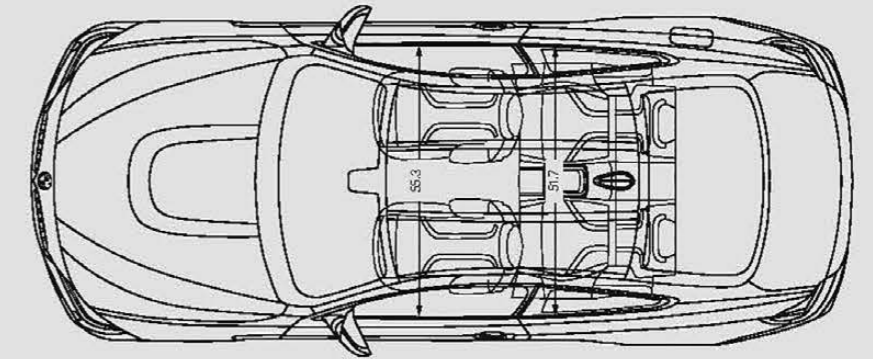
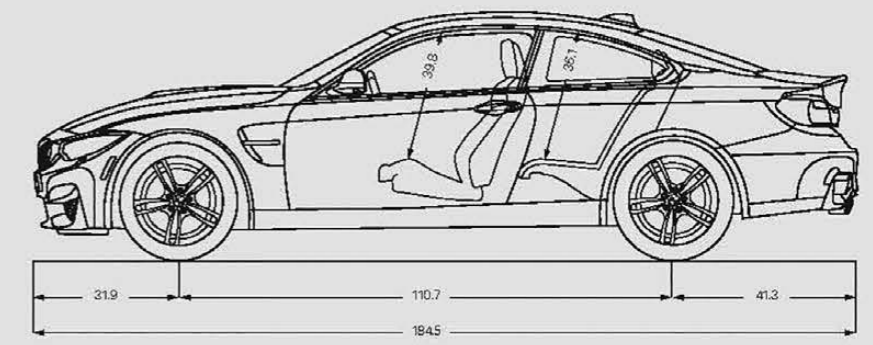
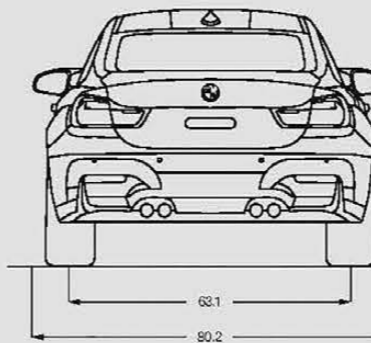
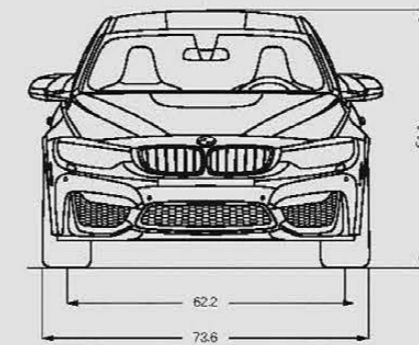
<sup>1</sup> Top speed limited electronically.  
<sup>2</sup> BMW AG preliminary test results. Actual acceleration results may vary, depending on specification of vehicle; road and environmental conditions; testing procedures and driving style. These results should be used for comparison only and verification should not be attempted on public roads. BMW urges you to obey all posted speed laws and always wear safety belts.  
<sup>3</sup> EPA-estimated figures are for comparison purposes only. Fuel economy figures not available at time of printing. Please go to [bmwusa.com](http://bmwusa.com) for the most up-to-date fuel consumption information. Your actual mileage will vary, depending on speed, driving habits, trip length and driving conditions; actual mileage may be lower.  
<sup>4</sup> Driving over rough or damaged road surfaces, as well as debris, curbs and other obstacles, can cause serious damage to wheels, tires and suspension parts. This is more likely to occur with low-profile tires, which provide less cushioning between the wheel and the road. Be careful to avoid road hazards and reduce your speed, especially if your vehicle is equipped with low-profile tires. Performance tires are not recommended for driving in ice and snow conditions. Please note: M4 and M3 models are not equipped with a spare tire and wheel. They include M Mobility System, which offers lifetime BMW Roadside Assistance for tire assistance. Wheel and tire specifications are subject to change.

U.S. Importer: BMW of North America, LLC, Woodcliff Lake, NJ 07677. All illustrations and specifications contained in this brochure are based on the latest product information available at the time of printing. BMW reserves the right to make changes at any time, without notice, in colors, materials, equipment, specifications, design and models. BMW may, subject to legal requirements, determine the Model Year designation of its vehicles. The Model Year designation on any particular model may be longer or shorter than 12 months. Some vehicles pictured may contain non-U.S. equipment. Some models may be shown with optional equipment. While BMW NA makes all reasonable efforts to provide accurate information in this brochure, there is no guarantee or warranty of accuracy. Furthermore, we do not assume any liability for the accuracy or completeness of information presented. This brochure shall not be used or relied upon as a substitute for information that is available from your authorized BMW center. Further information can be obtained from your authorized BMW center or [bmwusa.com](http://bmwusa.com).

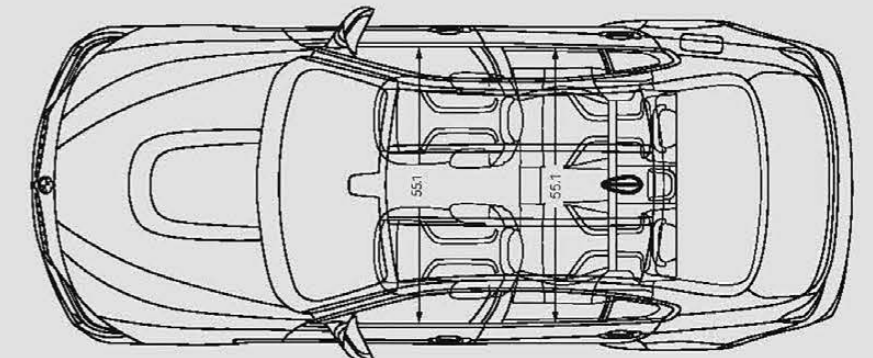
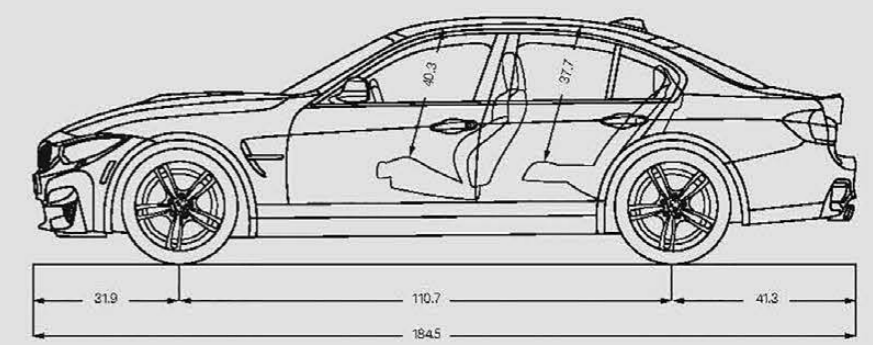
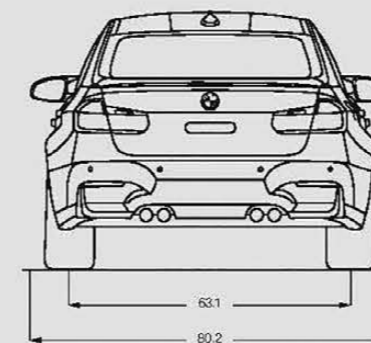
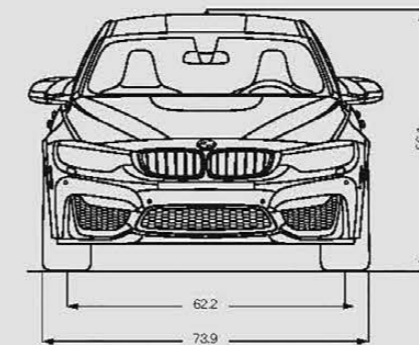
©2014 BMW of North America, LLC Not to be reproduced wholly or in part without written permission of BMW NA. The BMW name, logo, model names, Sports Activity Vehicle and SAV are registered trademarks.

The Bluetooth word mark and logos are owned by the Bluetooth SIG, Inc. and any use of such marks by BMW is under license. iPhone, iPad and iPod are registered trademarks of Apple Inc. Other trademarks and trade names are the property of their respective owners.

### BMW M4 Coupe



### BMW M3 Sedan



All dimensions in the technical drawings are given in inches.



## THE HIGH-PERFORMANCE BMW OWNERSHIP EXPERIENCE.

We believe that a premium ownership experience should feature performance and luxury, as well as safety and convenience. We believe you should be able to drive a BMW to its potential, while enjoying peace of mind and reduced cost of ownership. That's the idea behind **BMW Ultimate Service**<sup>®</sup>: a suite of comprehensive programs and services that are included in every new BMW vehicle. It starts with the **New Vehicle/SAV Limited Warranty**,<sup>1</sup> providing you with coverage for the first four years or 50,000 miles, whichever comes first. Additionally, you enjoy

12-year, unlimited-mileage warranty protection against corrosion and rust perforation.<sup>1</sup> BMW Ultimate Service continues with **BMW Maintenance Program** for up to the first four years or 50,000 miles,<sup>2</sup> **BMW Roadside Assistance**, and more. The M4 Coupe and M3 Sedan also come with a range of BMW ConnectedDrive<sup>®</sup> services as standard, including **BMW Assist eCall**,<sup>3</sup> **BMW TeleService**,<sup>3</sup> **BMW Online and BMW Apps**,<sup>3</sup> **Remote Services**,<sup>3</sup> and as optional, **Concierge Services** with **Critical Calling**.<sup>4</sup>

### BMW SERVICES.



**BMW Maintenance Program**<sup>2</sup> is one of the most comprehensive maintenance programs in its class. We cover all factory-recommended maintenance for up to the first four years or 50,000 miles, whichever comes first. This includes scheduled oil services and inspections. Also covered is the replacement of items that are subject to normal wear and tear, such as brake pads, wiper blade inserts and engine drive belts.<sup>2</sup> And, thanks to BMW's advanced engineering, most owners enjoy a well-balanced maintenance schedule, with flexible routine service intervals that can save you time. For more details, visit your authorized BMW center or log on to [bmwusa.com/ultimateservice](http://bmwusa.com/ultimateservice).

**Remote Services**<sup>3</sup> includes Remote Door Unlock, Stolen Vehicle Recovery, and access to the My BMW Remote app, which allows you to control your BMW from your mobile device.



**BMW Roadside Assistance** is provided free of charge for the first four years – with no mileage limit. Call **1-800-332-4BMW (4269)** for friendly on-the-road help, 24/7, anywhere in the United States, Canada and Puerto Rico. This includes everything from flat-tire changes and emergency gasoline to towing and even trip-interruption benefits. This service also provides valuable trip-routing advice.

**BMW Online and BMW Apps**<sup>3</sup> provides up-to-date web information: business and stock reports, as well as weather updates. BMW Online also includes **MyInfo**, which allows you to send business locations and street addresses with their associated phone numbers from the Google Maps<sup>™</sup> website directly to your BMW. The destination can be sent to your BMW Navigation system for turn-by-turn directions.



**BMW Assist eCall**,<sup>3</sup> a safety feature of BMW ConnectedDrive<sup>®</sup> lets you enjoy peace of mind knowing that a friendly response specialist is there to help you, 24/7, at just the push of a button. This includes Emergency Request (SOS button), Enhanced Automatic Collision Notification, and Customer Relations. **BMW TeleService**<sup>3</sup> continually monitors specific vehicle parts that are subject to wear and tear, as well as services that require attention at regular intervals, such as vehicle service inspections. This data is automatically transmitted to your authorized BMW center, which informs a BMW Service Advisor to call and schedule a convenient service appointment. And because they use only Original BMW Parts, you can rely on expert fit and long-lasting BMW quality.



**Enhanced USB and Bluetooth**<sup>®</sup> with **Smartphone Integration** offers an array of Mobile Office<sup>5</sup> functions. With the BMW Navigation system and your mobile phone linked via Bluetooth technology, Mobile Office transfers text messages and emails to your iDrive Display screen and then reads them aloud to you. Running late? Click on the phone number in the calendar to call your appointment.<sup>5</sup>

With optional **Concierge Services**<sup>4</sup> you'll enjoy unlimited access to personalized Directions and services for restaurant and hotel recommendations, with the destination address and phone number not only sent right to your BMW, but also transferred to your BMW Navigation system for route guidance. Another useful Concierge feature: **Critical Calling**. This lets you make up to four operator-assisted calls per year, up to five minutes per call, if your mobile phone is not available.

### EXPERIENCE MORE WITH BMW.



**BMW Virtual Center.** The BMW Virtual Center is open 24 hours a day! Log on to [bmwusa.com/byo](http://bmwusa.com/byo), configure the BMW of your dreams, and see what the monthly payments would be. You can even send the specifications to your authorized BMW center, apply for financing, or request a test drive – all online!



**BMW Magazine.** A fascinating view of the latest events and products in the world of BMW, including travel reviews, personality profiles, and the latest BMW technologies. **BMW Magazine** is sent to new owners and lessees twice a year.



**BMW Performance Driving School.** Take your driving skills to the next level. At the BMW Performance Center in Spartanburg, SC, hone your driving skills on a 1.7-mile driving course with a skid pad, slalom course and water walls. Visit [bmwusa.com/pds](http://bmwusa.com/pds).

**Performance Center Delivery.** When you opt for Performance Center Delivery, first you'll enjoy dinner and an overnight stay. We'll then take you and your companion to the Performance Center to meet your new BMW. Then you'll get tips from a professional driving instructor at the Performance Driving School. It's all compliments of BMW with your new vehicle. To learn more, call **1-888-345-4269** or visit [bmwusa.com/pdsdelivery](http://bmwusa.com/pdsdelivery).



The **BMW Welt** ("BMW World") delivery and brand-experience center in Munich is bold proof of BMW's passion for design. When you take advantage of the BMW European Delivery Program,<sup>6</sup> this is where you will meet your new BMW. (You might also realize substantial savings that just may pay for your trip.) While you're there, marvel at the historic BMWs in the Museum; learn about our engineers' newest innovations in the Technology and Design Atelier; and take a tour of the plant to experience firsthand the state-of-the-art methods used to create a BMW. Then comes the unique experience of driving your new BMW on the roads it was designed for. To learn more, visit [bmwusa.com/europeandelivery](http://bmwusa.com/europeandelivery).



**BMW Financial Services.** Arranging to buy or lease a BMW is easier than you may think. Your authorized BMW center offers leasing and financing to suit your personal needs through BMW Financial Services.<sup>7</sup> To find out how BMW Financial Services can help put you behind the wheel of your favorite BMW model, log on to [bmwusa.com/fs](http://bmwusa.com/fs) or call, toll-free, **1-800-578-5000**.

### BMW FINANCIAL SERVICES.

## SHAPING THE FUTURE – RESPONSIBLY.

BMW is a strong proponent of the environment and social responsibility. Back in 2000 we launched BMW EfficientDynamics: the philosophy of providing greater power with increased efficiency and fewer emissions. This has resulted in significant benefits today – for our customers, the climate and the environment.

That year, ecological sustainability was also declared one of BMW's core strategic principles; it is now firmly anchored in our entire production chain. It starts with the development of fuel-saving and alternative vehicle concepts, continues with environmentally friendly production processes, and ends with innovative recycling methods. This effort has been recognized worldwide; in 1999, BMW AG – the parent company of BMW of North America and BMW Manufacturing Co. in Spartanburg, SC – was the first automotive company to be represented on the Dow Jones Sustainability Group Index. It has remained on the Index ever since; moreover, since 2005, BMW has been voted the world's most sustainable automobile manufacturer. At BMW, we strive for and achieve high performance in all we do.

[bmwusa.com/EfficientDynamics](http://bmwusa.com/EfficientDynamics)

<sup>1</sup> See your authorized BMW center for details on these limited warranties.  
<sup>2</sup> All BMWs come with the BMW Maintenance Program standard for up to 4 years or 50,000 miles from the in-service date, whichever comes first. The BMW Maintenance Program covers factory-recommended maintenance services as determined by the Service Interval Indicator for all new eligible MY 2004 and later BMW vehicles. Exclusions from coverage include: gasoline, gasoline additives, windshield washer fluid and additives, battery, tires, wheels, wheel alignment and tire balancing. All work must be performed by an authorized BMW center. For all Model Year 2015 and later vehicles sold or leased by an authorized BMW center on or after July 1, 2014: BMW Maintenance Program coverage is not transferable to subsequent purchasers, owners or lessees. Certain limitations and exclusions apply to this program; please see [bmwusa.com/ultimateservice](http://bmwusa.com/ultimateservice) or ask your authorized BMW center for details.

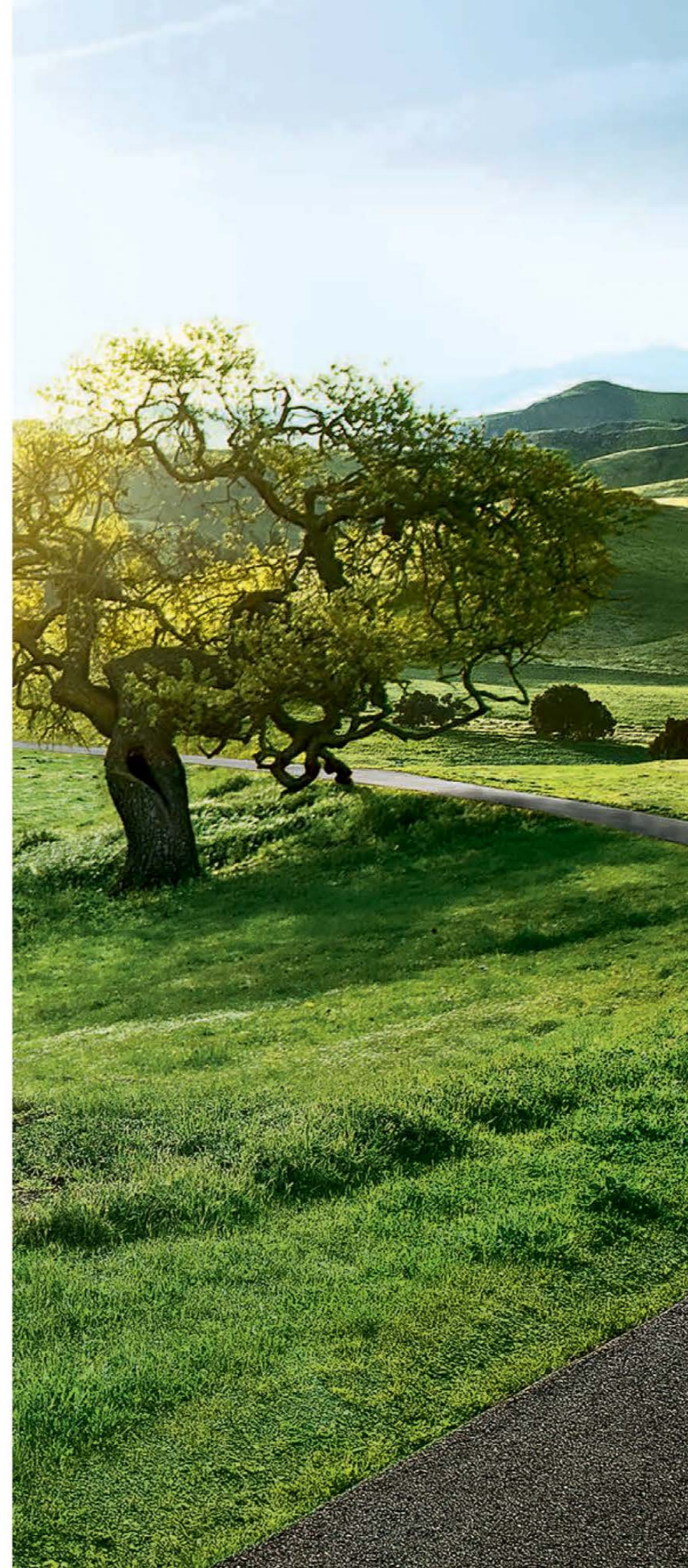
<sup>3</sup> On 2015 and later BMW M4 Coupe and M3 Sedan, BMW Assist eCall, BMW TeleService, and Remote Services are standard and include 10 years of service. BMW Online and BMW Apps is standard. BMW Online includes 3 years of service. In order to receive these services, a subscriber agreement must be completed and transferred to the BMW Assist<sup>™</sup> Response Center. GPS and underlying wireless services must be available and functioning, vehicle ignition must be turned on (except for Remote Services), battery must be charged and connected, and vehicle's electrical system operational. Due to wireless carrier coverage, services may be limited in certain geographic areas. Call toll-free **1-888-333-6118**, go to [bmwassist.com](http://bmwassist.com), or visit your authorized BMW center for additional program details. Services are subject to the terms and conditions of your subscriber agreement.

<sup>4</sup> Optional Concierge Services includes a 3-year subscription. Subject to the terms and conditions of your subscriber agreement. Please go to [bmwusa.com/connecteddrive](http://bmwusa.com/connecteddrive) for additional details.

<sup>5</sup> Not all mobile phones are compatible with Mobile Office, and some compatible phones support a limited number of Mobile Office functions. For the complete list of compatible mobile phones and the details regarding which Mobile Office functions are supported by each phone, please visit [bmwusa.com/bluetooth](http://bmwusa.com/bluetooth).

<sup>6</sup> Not all models are available for BMW European Delivery Program. Please go to [bmwusa.com/europeandelivery](http://bmwusa.com/europeandelivery) or visit your authorized BMW center for details.

<sup>7</sup> Subject to credit approval and other terms and conditions.

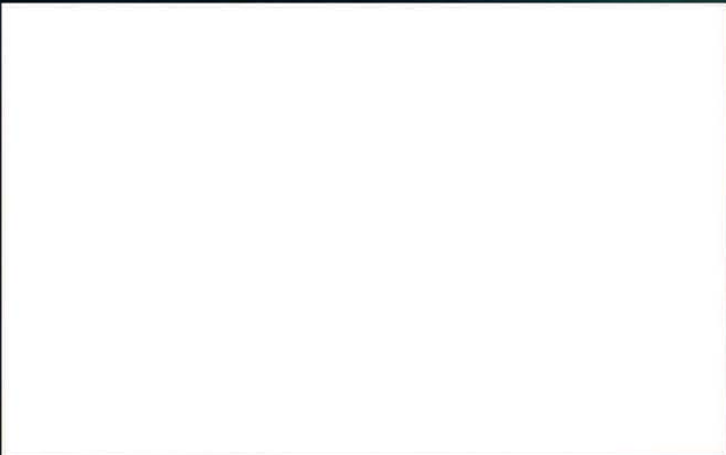




BMW M



The Ultimate Driving Machine®



©2014 BMW of North America, LLC. Not to be reproduced wholly or in part without written permission of BMW NA. The BMW name, logo, model names and SAV are registered trademarks. The Bluetooth word mark and logos are owned by the Bluetooth SIG, Inc. and any use of such marks by BMW is under license. iPhone, iPad and iPod are registered trademarks of Apple Inc. Other trademarks and trade names are the property of their respective owners.

4 11 999 054 25 1 2014 BB. Printed in Germany 2014.



BMW M recommends  **EDGE**