

BMW X1



X1 sDrive28i
X1 xDrive28i
X1 xDrive35i

The Ultimate
Driving Machine®



THE BMW X1.

LEAN POWER, LUXURIOUSLY CRAFTED.

BMW EfficientDynamics
Less emissions. More driving pleasure.



**BECOME ONE WITH
THE INNOVATIVE X1.**



The BMW X1

ONE VEHICLE. X POSSIBILITIES.

- 06 Exterior design and BMW Lines**
Ready for take-off.
- 12 Driving dynamics**
Sense of freedom included.
- 16 Interior design**
The world looks better from the inside.
- 22 BMW Design Lines**
A high-performance personal statement.
- 24 Innovations**
Open to fresh ideas.

bmwusa.com/x1

Technology

MORE SPONTANEOUS THAN EVER.

- 30 BMW ConnectedDrive®**
So connected, you're free.
- 34 BMW EfficientDynamics**
Technology that increases excitement and reduces fuel consumption and emissions.
- 36 BMW engine technology**
A heritage of innovation.
- 38 Chassis and performance technology**
Systems to enhance driving pleasure.
- 40 Active and passive safety features**
Innovative systems for enhanced driving confidence and security.

Equipment

AS INDIVIDUAL AS YOU ARE.

- 42 BMW X1**
- 44 BMW xLine**
- 46 BMW Sport Line**
- 48 BMW M Sport**
- 50 Exterior colors, upholstery colors and materials, and interior trims**
- 54 Equipment features and options**
- 60 Original BMW Accessories**

Overview

ALL THE FEATURES AT A GLANCE.

- 61 Build Your Own**
- 62 Technical data**
- 64 BMW Services**
Exclusive offers for BMW customers.

bmwusa.com

For exclusive BMW photos, behind-the-scenes videos, and the latest BMW news:

 Like us on Facebook®:
facebook.com/bmwusa

 Follow us on Twitter®:
twitter.com/bmwusa

 Find us on YouTube™:
youtube.com/bmwusa

 Follow us on TUMBLR®:
bmwusa.tumblr.com

Editorial

INSTANT WINNER – SMALL WONDER.

How can the world's first subcompact premium SUV-style vehicle deliver a sport sedan-like driving experience with enough space to comfortably fit up to five? Simple: it's a product of BMW engineering magic. The BMW X1 SAV® is garnering rave reviews for combining many of BMW's strongest features in one dynamic vehicle.

Don't let its lean stance fool you. The X1 formula offers a banquet of desirable traits, such as potent, fuel-efficient engine options. Bespoke styling. Plenty of legroom and headroom, as well as ample cargo space. BMW driving and connectivity technologies. And with available xDrive intelligent all-wheel drive, no road is too challenging. The X1 SAV: injecting substance into the subcompact SUV category.



X FACTOR, REDEFINED.

► **An elegant and dynamic response to modern life.** The BMW X1 answers today's challenges in spectacular style. Its functional versatility, compact external dimensions and exceptionally generous interior make this a car that is ready for anything. Whether it's a shopping trip or an action-packed weekend break, the BMW X1 is an agile all-rounder that makes life that much more exciting.





TAKING THE STREETS BY STORM.

►► Radiates power and poise – wherever you go.

Free-flowing contours, a long wheelbase and short overhangs lend the BMW X1 a silhouette that is so typical of a BMW model. Its characteristic SAV® proportions exude impressive confidence. Features such as side sill trims or the distinctive front bumper enhance its energetic personality as much as its all-road character. Its bold expression is defined by the innovative design of the Xenon Adaptive Headlights. Let's not forget the L-shape rear lights with LED light bars typical of a BMW.

Get the latest information on BMW standard and optional features, packages and technical specifications. Visit bmwusa.com, select the BMW model of your choice, and click on "Features & Specs."



ONE BMW. THREE DESIGNS.

► Unmistakable character: a typical member of the X family. Three design concepts: the xLine, Sport Line and the M Sport give the BMW X1 its own unique touch. xLine is distinguished by its powerful yet elegant attributes, like the striking Y Spoke 18-inch light alloy wheels, matte silver sills and an interior design in natural, harmonious colors, all of which make the BMW X1 feel at home even outside the big city. In contrast, Sport Line showcases a dynamic agility, with its exclusive 18-inch light alloy wheels, accents in high-gloss black and an interior with exclusive upholstery with accent stitching. With its turbocharged attitude, the M Sport boasts high-gloss black roof rails, shadowline exterior trim and exclusive Dark Crosshatch Aluminum trim. In addition, performance enhancements, such as the thick-rimmed M sport steering wheel and custom-tuned sport suspension, give a kick to the innate athleticism of the X1.

Wheel and tire specifications are subject to change. For details on the availability of standard and optional wheels and tires, features, packages and technical specifications, please visit bmwusa.com, select the BMW model of your choice, and click on "Features & Specs."





SENSE OF FREEDOM INCLUDED.

►► **Inspiring dynamics and agility.** The BMW X1 never fails to unleash its full power – even off the beaten track. It delivers superb power distribution, exceptional driving dynamics and the utmost in efficiency. Opt for the xDrive intelligent all-wheel-drive system to master even the trickiest of road conditions or, in the X1 sDrive28i, go for rear-wheel drive. Whichever you choose, its agility and maneuverability will win you over.

Get the latest information on BMW standard and optional features, packages and technical specifications. Visit bmwusa.com, select the BMW model of your choice, and click on "Features & Specs."



TWO PROS IN THE SNOW

Few skiers can imagine how steep a 45-degree slope looks from above. "Most people think of half a right angle when they think of 45 degrees. But from above it looks totally different: it just goes straight down. It's enough to make even a professional feel queasy." Roman Rohrmoser is a professional, and 45-degree slopes are his workplace. He's been skiing since he was two years old and, as a teenager, was very successful at Alpine racing. He's been doing freestyle skiing for the past decade and is currently a member of the international K2 Team. From Alaska to Chile, he has left his mark on the steepest deep-snow slopes and was probably the first person to ski some of them. The extremely steep incline aside, it's even harder to imagine the feats Roman Rohrmoser actually performs on those slopes: he jumps towering rocks and is constantly doing flips or twists. Then he continues skiing down normally, or sometimes backward – thanks to his twin-tip skis that curve up at both ends.

While it may sound like slapstick, freestyle skiing is at the cutting edge of extreme sports. It all looks so easy: Roman Rohrmoser appears to effortlessly and playfully glide through waist-deep snow. But actually it's the result of hard training and a lot of courage. "On the days when we shoot, we're usually on our skis all day, so stamina, concentration and fitness are essential." Rohrmoser has turned his hobby into a career: he spends every winter freestyle skiing and performing breathtaking stunts that are captured on film. He works together with the best action film team in the world. When shooting in remote locations, they often use a helicopter. The challenge is always to shoot as many scenes as possible when the weather is perfect, with clear blue skies and snow like powdered sugar – so there's no time for long climbs.

Of course, having been born in the Zillertal Alps, Rohrmoser also likes to ski at home and in other Alpine hotspots. He's always on the lookout for virgin snow and ideal conditions, and he drives his BMW X1 to all kinds of mountainous destinations, such as St. Moritz, Courmayeur or Livigno. In 2013 he covered 25,000 miles in his quest. As a freestyle skier from an Alpine region, the BMW X1 is his vehicle of choice. With its xDrive intelligent all-wheel-drive system, he's made it up every mountain so far, despite snow and ice. Thanks to the folding seats, he's always got plenty of room for baggage, even on longer trips with friends. Rohrmoser sometimes regrets that he has to take the helicopter up the last few meters of the mountain, instead of powering on in his BMW X1.



Extreme skier Roman Rohrmoser from Zillertal is on a constant quest for virgin snow and slopes. The BMW X1 is his constant companion.

Further information and videos on European ski resorts and events can be found at bmw-xdrive-guide.com



THE WORLD LOOKS BETTER FROM THE INSIDE.

❖ **Exclusive down to the last detail.** Stimulate all your senses with the very finest materials, high-quality textures and perfectly coordinated colors and highlights, all expertly crafted. The cockpit offers a vast amount of space and an impressively crisp design. As is customary, the center console and all the crucial controls – for example, the BMW Navigation System with high-definition 8.8-inch color display and with

iDrive Controller all face the driver in an ergonomic fashion. This allows an array of media and radio functions, as well as the mobile phone and Navigation system, to be operated conveniently. In addition to the extraordinary comfort levels, the interior also boasts impressive safety features, such as six airbags as standard.

Get the latest information on BMW standard and optional features, packages and technical specifications. Visit bmwusa.com, select the BMW model of your choice, and click on "Features & Specs."





Sublime Spontaneity. The BMW X1 unites intelligent functions with a range of storage compartments and an individually expandable luggage compartment. Items such as bottles are easily stashed in the door pockets, while drinks go in the cupholders in the center console. The rear-seat backrests can be folded down in a 40/20/40 split to transport up to five occupants or, alternatively, five large pieces of luggage. With such a practical division, even long and narrow objects can fit through the center when it has been folded down, while freeing two seats on either side. Passengers can enjoy uninterrupted views to the sky through the Panoramic moonroof, for an even greater sense of freedom.

Get the latest information on BMW standard and optional features, packages and technical specifications. Visit bmwusa.com, select the BMW model of your choice, and click on "Features & Specs."



**ONE SIZE
FITS ALL.**

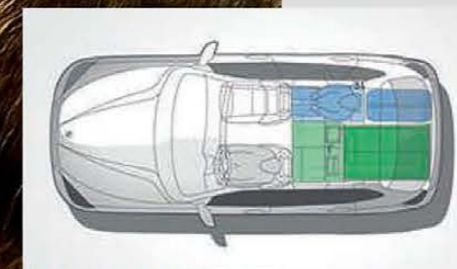
THE WHOLE WORLD IN YOUR TRUNK.



|| **Wherever the journey takes you, your luggage space will adjust to your needs.**
The rear-seat backrests folds down in a 40/20/40 split and each section can be individually inclined in 10 stages from one degree to 31 degrees. This increases the luggage compartment capacity up to a maximum of 25 cubic feet. Fold all backrests down and you free up 52 cubic feet of space.



The **standard setting** offers space for five people. With the rear-seat backrests at a 25-degree angle, you could fit the equivalent of two large suitcases in the cargo area.



In the relaxed **comfort setting**, the rear-seat backrests are set at a 31-degree angle. For bulkier luggage you can fold down the rear-seat backrests almost horizontally (**cargo setting** at a one-degree angle).

Get the latest information on BMW standard and optional features, packages and technical specifications. Visit bmwusa.com, select the BMW model of your choice, and click on "Features & Specs."

A HIGH-PERFORMANCE PERSONAL STATEMENT



Natural: BMW xLine

The high seating position and xDrive all-wheel drive make the BMW X1 the perfect companion for an active lifestyle. This is enhanced by the xLine design – with, for example, its Finesse Bay Matte Wood interior trim with Pearl Gloss Chrome highlight and optional Oyster Nevada Leather upholstery with Orange/Black contrast piping.



Dynamic: BMW Sport Line and M Sport

Inspired by BMW's track heritage, the Sport Line and M Sport reveal the X1's racier side, turbocharging its look and attitude. M Sport adds serious performance enhancements for an even more dynamic driving experience.



Every seat, every vantage point, every view from the BMW X1 is an inspiring experience. After all, the X1 is heir to the same premium heritage as every other BMW model. Small wonder, then, that the X1's appointments display a modern sophistication that catch and reward the eye.

Despite its compact size, the X1 goes to great lengths for comfort; the back-seat area provides ample space for up to three passengers.

The X1 is also big on personality – and the level of personalizing you can do with it is simply icing on the cake. There are three "Lines" to choose from: the xLine, the Sport Line, and M Sport. Each Line highlights specific X1 characteristics, with exclusive interior and exterior options, such as contrasting seat piping and wheel styles.

With the xLine, you'll discover striking Y Spoke 18-inch alloy wheels, high-gloss Dark Copper or Finesse Bay Matte Wood interior trim, and a range of xLine-specific upholstery colors and designs. The Sport Line adds a generous helping of track-inspired visual cues. Signal your sporting intentions with Double Spoke 18-inch light-alloy wheels and black side-mirror caps; inside, enjoy the added driving support of sport seats, as well as your choice of high-gloss Black or Aluminum trim, along with unique color schemes, including contrast-stitching offerings.

Bump up the customized cool factor with M Sport. Choose between 18-inch or 19-inch M light alloy wheels with run-flat¹ all-season² or performance tires.^{2,3}



A custom-tuned sport suspension and track-inspired Aerodynamic kit put a finer point on the X1's handling. Shadowline exterior trim and high-gloss roof rails complete the exterior; inside, sport seats, an Anthracite headliner and a choice of M leather-wrapped steering wheels with or without paddle shifters set the performance note.

To bring it all together, BMW offers the Ultimate Package: a combination of three separate packages – Driver Assistance Package, Premium Package and Technology Package – grouped together for maximum confidence, convenience and comfort.

Leather upholstery: Leather on all seating surfaces; other components may be Leather or SensaTec.

¹ Run-flat tires do not come equipped with a spare tire and wheel.

² Driving over rough or damaged road surfaces, as well as debris, curbs and other obstacles, can cause serious damage to wheels, tires and suspension parts. This is more likely to occur with low-profile tires, which provide less cushioning between the wheel and the road. Be careful to avoid road hazards and reduce your speed, especially if your vehicle is equipped with low-profile tires.

³ Performance tires are not recommended for driving in ice and snow conditions.

Wheel and tire specifications are subject to change. Get the latest information on BMW standard and optional features, packages and technical specifications. Visit bmwusa.com, select the BMW model of your choice, and click on "Features & Specs."



European image shown.

AN INDEPENDENT THINKER – JUST LIKE YOU.

►► **Unlimited assistance.** BMW ConnectedDrive® opens up a world of unexpected possibilities. One example is the Navigation system with Real Time Traffic Information (RTTI), which takes into account current traffic conditions while you drive. When dynamic routing is activated, the Navigation system automatically changes the route when traffic is slow or there is a traffic jam. Factor in countless other functions and services to help make your journey even safer. Remote Services helps you find your vehicle even when you're lost in a massive parking lot. Simply flash your headlights using your smartphone and find your car right away. Choose the AUPEO! app to select the perfect entertainment – your own personalized internet radio station, currently with access to around a million tracks from over 120 genres. This and other BMW ConnectedDrive innovations get you to your destination with ease, so you can savor your driving pleasure undisturbed.

Get the latest information on BMW standard and optional features, packages and technical specifications. Visit bmwusa.com, select the BMW model of your choice, and click on "Features & Specs."





**WAY
AHEAD OF
THE REST.**



►► **Powerful efficiency.** The BMW TwinPower Turbo engines are not only exceptionally dynamic on the road, but also delightfully efficient, to keep driving pleasure at a maximum. BMW EfficientDynamics technology noticeably reduces consumption and emissions. An entire package of innovations makes this possible: lightweight BMW TwinPower Turbo engines, state-of-the-art fuel-injection technologies, fully variable power distribution and advanced turbocharger technology all help to reduce consumption and emissions. A further reduction in fuel consumption is achieved by, among other factors, the 8-speed STEPTRONIC automatic transmission's precise application of power and the Auto Start-Stop function. Consumption is further reduced using the optional ECO PRO mode. This mode allows you to adapt your driving to reduce fuel consumption while also minimizing the energy usage from, for example, the climate control system.

Get the latest information on BMW standard and optional features, packages and technical specifications. Visit bmwusa.com, select the BMW model of your choice, and click on "Features & Specs."



**A BRIEF
PAUSE
BEFORE
TOMORROW
BEGINS.**



BMW ConnectedDrive So connected, you're free.



Every day, our world is becoming increasingly networked. Many BMW drivers, however, are better connected than the rest, obtaining information on the road, communicating by phone or email, and always being updated on the latest events. BMW ConnectedDrive encompasses all these services, including traffic features that allow BMW vehicles and their occupants to network with the outside world.



BMW ConnectedDrive services and apps provide versatile connections between the driver, vehicle and the outside world. BMW ConnectedDrive driver assistance systems enhance your convenience, active safety and peace of mind. BMW ConnectedDrive infotainment features make every mile even more enjoyable. And most are easily accessed and controlled through the on-board iDrive system with Controller, literally putting the world at your fingertips.

For more information, please see:

➔ bmwusa.com/connecteddrive

BMW CONNECTED DRIVE®: CONVENIENCE, INFOTAINMENT AND SAFETY TECHNOLOGIES MEET IN ONE SUITE.

With BMW ConnectedDrive you stay in touch, no matter where you go. Its advanced communications and entertainment features create a network between driver, vehicle and environment, at any time and wherever you are. The following pages present special highlights in the areas of convenience, infotainment and safety. For a comprehensive overview, see bmwusa.com/connecteddrive.



BMW ASSIST eCALL™

Enjoy peace of mind knowing that a friendly response specialist is there to help you 24/7, at the touch of a button. BMW Assist eCall includes Automatic Collision Notification, Emergency Request (SOS button) and Customer Relations.



BMW TELESERVICE.

As you're driving, the intelligent maintenance system, Condition Based Service, constantly monitors your vehicle's service needs. BMW TeleService checks your vehicle's operating fluids and wear items. When any need replacing, it automatically transmits this data and upcoming service needs to your preferred BMW center. Your BMW Service Advisor then contacts you to set up a convenient appointment, and orders parts beforehand, reducing your service and wait time.



BMW ONLINE.

BMW Online gives you a personalized internet portal, delivered on the Control Display. Get up-to-date fuel prices and gas station locations; the latest weather forecasts, advisories and warnings; Dow Jones, S&P and NASDAQ indices; and the powerful reach of the Google® database. Read or hear news headlines aloud via text-to-speech technology. "Send to Mail" pinpoints your current location and planned destination, and allows you to send the information to any email account.

Get the latest information on BMW standard and optional features, packages and technical specifications. Visit bmwusa.com, select the BMW model of your choice, and click on "Features & Specs."

BMW CONNECTED DRIVE® SERVICES AND APPS: EVERYTHING YOU NEED, INTELLIGENTLY NETWORKED.

Want to find the quickest route around a traffic jam? Not a problem – if you have the BMW Navigation system with Real Time Traffic Information. Tired of the same old playlist? Let the AUPEO! Personal Radio app introduce you to a new world of music. How about finding a French restaurant in a strange city? Let Concierge Services locate it, make a reservation for you, and send the address and phone number directly to your BMW's Navigation system. **BMW ConnectedDrive** services and apps bring a whole new level of convenience and pleasure to your drive wherever you are.



BMW APPS.

Access Social Networks, on-demand music and location sharing through your iPhone,[®] and see them on the Display screen.¹ Tune in to Web radio and search for stations from around the globe by name, location or genre. You can also store your favorite stations, find similar stations, display station information, and change the quality of the audio. Your favorite entries are on your iPhone, so you can take them from one vehicle to another.

¹ Requires BMW Online and BMW Apps option and a compatible phone. Please note:

- A broadband data link is required. The costs for this (e.g., data roaming) are regulated by the customer agreement with the mobile phone service provider.
- Not all features available while vehicle is in motion; see dealer for details.
- Web radio audio quality depends on the bit rate of the station, and data reception depends on your cell service. Data transfer comes over the mobile device.

REAL TIME TRAFFIC INFORMATION (RTTI).

This feature makes you aware of traffic congestion in most large cities before you encounter it. RTTI displays and describes current local traffic information on your Control Display. In case of delays greater than five minutes, it suggests alternate routes.



MOBILE OFFICE.

Use the time you spend in your vehicle even more effectively with BMW's Mobile Office feature.¹ For example, text messages and emails can be transferred from your Bluetooth[®] paired phone directly to the vehicle's Control Display and can be read back to you aloud using text-to-speech functionality and the vehicle's audio system.

¹ Not all mobile phones are compatible with Mobile Office, and some compatible phones support a limited number of Mobile Office functions. For the complete list of compatible mobile phones and the details regarding which Mobile Office functions are supported by each phone, please visit bmwusa.com/bluetooth.



DRIVER ASSISTANCE FEATURES: DESIGNED TO ENHANCE YOUR BMW DRIVING EXPERIENCE.

Driving a BMW isn't always the thrill of taking tight corners and accelerating onto a highway. There are the more mundane tasks of, say, finding and maneuvering into a parking space, or exiting an indoor garage onto a busy street and avoiding pedestrians you cannot see. For those times, innovative **BMW ConnectedDrive** driver assistance features make every moment behind the wheel as effortless and enjoyable as possible.



PARK DISTANCE CONTROL.

This feature uses ultrasonic sensors in the front and rear bumpers to help you judge the distance to other cars and unseen objects when parking. The beeping becomes faster as your bumper approaches the object, turning into a constant tone when the distance is less than 12 inches.



REAR-VIEW CAMERA.

Engaging the reverse gear activates the Rear-view Camera. The area behind your vehicle is then shown on the Control Display. Working together with Park Distance Control, the system superimposes interactive guidelines on the image, indicating if a parking space can accommodate your vehicle, and displaying parking trajectories and turn angles.



CONCIERGE SERVICES.

Wherever you travel, friendly Concierge Services representatives assist you with local restaurant and hotel recommendations, movie times and ticket information, flight arrival and departure gates and times, fuel prices and availability, and much more. You can also get the "Points of Interest" (POI) download, which allows the representative to send addresses and phone numbers to your vehicle. This information can also be transferred to your BMW Navigation system for route guidance. Then use your Bluetooth linked mobile phone to make a call.

BMW EfficientDynamics

Less emissions. More driving pleasure.

BMW was one of the first manufacturers to pursue the goal of efficient driving technologies, as part of a multi-award-winning sustainability strategy. BMW EfficientDynamics represents an acclaimed standard package of innovative technologies that reduce fuel consumption and emissions, while simultaneously enhancing dynamic performance. Since 1995 BMW has been able to reduce the CO₂ emissions of its entire fleet by approximately 30 percent, and intends to achieve a further 25 percent reduction by 2020.



BMW EFFICIENT DYNAMICS: MAKING A LITTLE GO A LONG WAY.

Under the umbrella of the BMW EfficientDynamics project, BMW is continuously developing innovative systems that will bring us closer to the goal of emissions-free driving in the long term.

Eco-friendly technology. The development of more efficient vehicles powered by conventional gasoline and diesel engines are continuing challenges. A comprehensive technology directive enables the reduction of fuel consumption and emissions, while at the same time increasing power output and driving enjoyment. These advances are based on innovations such as BMW TwinPower Turbo technology, Brake Energy Regeneration, Air Curtain front apron design, and many others.

BMW ActiveHybrid. With the BMW ActiveHybrid 7, BMW ActiveHybrid 5 and BMW ActiveHybrid 3, BMW has impressive hybrid production models in its line. All combine outstanding efficiency with superlative dynamic ability.

BMW i. The all-new BMW i brand is launching two completely new vehicle concepts for sustainable mobility in an urban environment; both are an important part of BMW EfficientDynamics technologies. Key features of the BMW i3 and BMW i8 include the use of lightweight materials such as carbon-fiber-reinforced plastic (CFRP), electric drive systems, powerful battery technology and eco-friendly production methods.

➤ bmwusa.com/i
➤ bmwusa.com/EfficientDynamics

THE BMW X1'S EFFICIENT DYNAMICS INITIATIVE AT A GLANCE.

Auto Start-Stop function.

Even when idling, such as at a stop sign, an engine burns fuel. BMW's Auto Start-Stop function enhances fuel efficiency by switching off the engine. (The intelligent electronics system first checks the battery charge level and calculates if other electric systems, like the heated rear window, need more energy.) Once the brake pedal is released, the engine starts up again almost instantly. A Start-Stop signal in the Display indicates the function is active.

BMW TwinPower Turbo technology.

This innovative twin-scroll turbocharging technology efficiently reclaims the energy contained in exhaust gases, using a twin-scroll charger with a double-flow exhaust system.

Brake Energy Regeneration.

To supply a battery with electrical energy, the generator (alternator) is usually driven using engine power, which requires fuel. With Brake Energy Regeneration, the alternator generates electricity only when you take your foot off the accelerator. Kinetic energy that was previously unharnessed is transformed into electrical energy, which is then fed into the battery. In this way, electricity is generated without consuming fuel.

Electric power steering.

Unlike conventional, hydraulic steering systems, electric power steering draws power only during actual steering movements. When the steering wheel position is constant, the electric motor is inactive.

ECO PRO mode.

Driving in ECO PRO mode helps customers achieve fuel savings of up to 20 percent, depending on their individual style of driving. This mode optimizes accelerator and transmission response as well as shift points, and intelligently adapts the heating/air conditioning strategy. ECO PRO tips help the driver drive even more efficiently. The bonus range shown by the on-board computer indicates how many additional miles the driver has gained thanks to the increased efficiency in ECO PRO mode since the last fill-up.

Lightweight construction.

Our engineers use lightweight aluminum throughout our vehicles – in the front section, for example, or for the suspension. BMW's four- and six-cylinder TwinPower Turbo engine blocks are all-aluminum. Taken together, these weight savings lead to lower fuel consumption and better axle load distribution for more agility, especially in curves.

High Precision Direct Injection.

In this latest-generation direct fuel injection system, the piezo injectors are positioned very close to the spark plugs. They inject fuel at high pressure, with extreme precision, for very efficient combustion.

Not all BMW EfficientDynamics features are available on all models. Please see your authorized BMW center for details.

BMW ENGINE TECHNOLOGY: A HERITAGE OF INNOVATION. A FUTURE OF SUSTAINABLE EXHILARATION.

From its inception almost a century ago as a manufacturer of aircraft engines, Bavarian Motor Works has been a world leader in engine design. In fact, the innovations shown below were so ahead of their time that BMW engineers still incorporate this technology into today's award-winning powerplants. Over the decades, BMW engines have led to countless wins at the racetrack. Even more important, their smooth, powerful and efficient performance has won over generations of driving enthusiasts. Today, adhering to the EfficientDynamics philosophy, BMW engineers are setting even higher goals: creating an engine template that can be scaled in size and adapted to new fuel sources – all while maintaining legendary BMW performance and efficiency. It's a revolutionary concept that is now becoming reality. Welcome to the exciting future of BMW power.

1936



SEMI-HEMISPHERICAL VALVE DESIGN.

A design so advanced it helped the BMW 328 Mille Miglia win races in 1936 – and it's still in use today.

1955

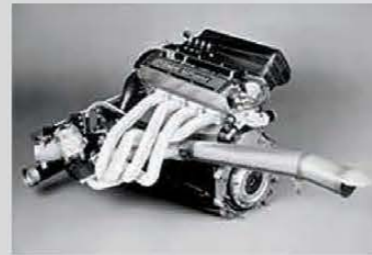
ALL-ALUMINUM V-8 ENGINE.

The BMW 502 applied what is now called "intelligent lightweight engineering" to its then-awesome 160-hp V-8 engine.

1972

FUEL INJECTION.

The BMW 2002tii featured fuel injection, a technology that would become a crucial building block in BMW EfficientDynamics advances.



DIGITAL MOTOR ELECTRONICS (DME).

Computerized engine monitoring and control revolutionize the performance, efficiency and reliability of BMW's World Championship-winning Formula 1® racecar.

1981

1992

MULTI-VALVE TECHNOLOGY.

In every BMW, four valves per cylinder let in more air for greater power, and push out exhaust more easily for greater efficiency.

2006



ALUMINUM/MAGNESIUM COMPOSITE ENGINE BLOCK.

Technology from 1970s BMW racecar engines, this combines the strength to withstand high-revving performance with efficiency-enhancing light weight.

2007

TWIN POWER TURBO ENGINES.

BMW twin-scroll turbocharging calls on high-precision direct injection and a host of other innovations for increased power and efficiency – without turbo lag.

2008

BMW ADVANCED DIESEL WITH BLUE PERFORMANCE TECHNOLOGY.

BMW introduces America to a new form of diesel with amazing torque and power, quiet running, lower emissions and greater efficiency than ever before.

TODAY: THE BMW TWIN POWER TURBO ENGINE.

Introduced in 2007, TwinPower Turbo technology is incorporated into every new BMW engine, whether gasoline-, diesel- or hybrid-powered. Utilizing BMW high-precision direct injection, Double-VANOS continuously variable camshaft timing, and Valvetronic individual intake valve control, TwinPower Turbo technology delivers vastly increased power, torque and efficiency when compared to normally aspirated engines of the same size.

300-hp BMW TwinPower Turbo inline six-cylinder engine.

BMW GASOLINE-POWERED ENGINES.

Whether configured with four, six, eight or 12 cylinders, the latest BMW gasoline-combustion engines are designed to generate the highest ratio of power and thrilling performance to fuel consumption and emissions.

BMW ADVANCED DIESEL.

Powerful, fast, quiet and fuel-efficient: these are the traits of BMW Advanced Diesel engines. Thanks to BluePerformance Technology, BMW diesel engines meet emissions standards in all 50 states. Managed by a high-performance electronic engine control unit, the turbocharger develops boost and extra power in immediate response to the smallest tap of the accelerator pedal, and stays strong throughout the rev range where you do most of your driving.

BMW ACTIVE HYBRID.

BMW ActiveHybrid vehicles blend a TwinPower Turbo engine with an electric motor and high-performance lithium-ion battery. When compared to non-hybrid versions, BMW ActiveHybrid vehicles deliver greater fuel efficiency, fewer emissions and breathtaking acceleration.



BMW i: BORN ELECTRIC.

BMW i makes its debut with the i3. Powered by an electric motor combined with an innovative lithium-ion battery, the i3 accelerates from 0–60 in approximately 7 seconds.¹ The BMW i8 is a plug-in hybrid electric vehicle. A 131-hp electric motor powers the front wheels, while a 231-hp three-cylinder gasoline engine turns the rear wheels achieving 0–60 mph in under 4.4 seconds¹ and reaching a top speed of 155 mph. In all-electric mode, it is capable of driving 22 miles with a top speed of 75 mph.



THE EVOLUTION OF BMW EFFICIENT DYNAMICS TECHNOLOGY.

Smaller engines that generate greater power using less fuel.

1994 BMW 530i

3.0-liter V-8 engine with 5-speed automatic transmission

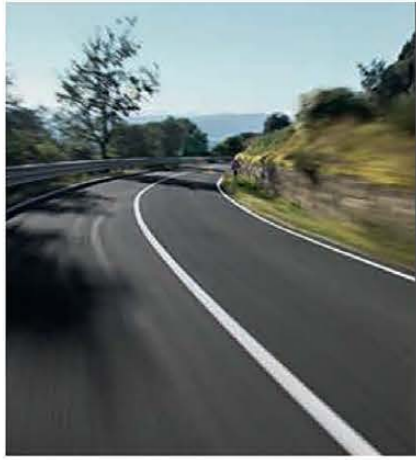
- 215 horsepower
- 16 city/25 highway mpg²
- 0–60 mph: 8.8 seconds¹

2014 BMW 528i

2.0-liter inline four-cylinder TwinPower Turbo engine with 8-speed automatic transmission

- 240 horsepower
- 23 city/34 highway mpg²
- 0–60 mph: 6.1 seconds¹

¹ BMW AG test results. BMW urges you to obey all posted speed laws and always wear safety belts.
² EPA-estimated figures are for comparison purposes only. Your actual mileage will vary, depending on speed, driving habits, trip length and driving conditions; actual mileage may be lower.



Pure driving dynamics – it's a quality embodied by every single BMW without exception. And the technical basis for this thrilling driving experience lies in the suspension. It ensures optimal contact with the road surface and ideal roadholding in every situation – the result of its near-perfect 50/50 weight distribution and an array of seamlessly combined innovative components. BMW engineers are continually reinventing and refining those classic BMW driving dynamics to ensure that every BMW chassis puts the driver in direct contact with the vehicle and inspires a passion for sporty driving – while also providing the highest levels of safety and comfort.



THE FEELING OF DRIVING THE BMW X1 IS SIMPLY INCREDIBLE. LIKE THE TECHNOLOGY BEHIND IT.

The BMW X1 can be equipped with a whole host of innovative technologies to help you get the most out of each drive. Many of these systems are intelligently networked with each other, maximizing your active safety quotient – and your driving pleasure.



Electric power steering. Unlike conventional, hydraulic steering systems, electric power steering only draws power during actual steering movements. While driving on major highways where a minimal amount of steering movement is required, the electric motor remains inactive.

Servotronic vehicle-speed-sensitive power steering adjusts the amount of steering support based on your current speed – not engine speed. It offers more assistance at lower speeds, such as when parking, and decreases assistance at higher speeds for more stability and control.

BMW sDrive rear-wheel drive. BMW's renowned driving technology provides inspired vehicle agility and maneuverability. Rear-wheel drive enables an ideal distribution of weight over the entire chassis suspension, delivering power and traction more precisely onto the pavement.

BMW xDrive intelligent all-wheel drive. BMW designed xDrive with a rear-wheel bias for surefooted grip on slick roads without sacrificing rear-wheel-drive road feel. Within milliseconds of sensing wheelslip, the xDrive all-wheel-drive system can send power to the wheels with the greatest grip, offering maximum available traction and superior handling on all surfaces.

8-speed STEPTRONIC automatic transmission. The finely graded gear shifts of the 8-speed STEPTRONIC automatic transmission produce greater engine efficiency at every speed. This helps to reduce fuel consumption and ensures more comfortable gear changes.

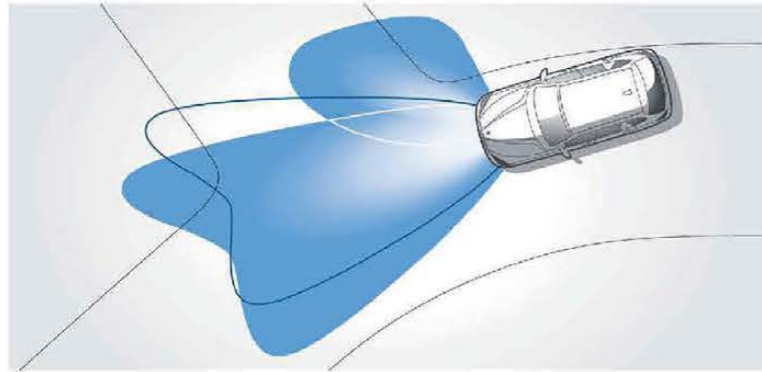
Sport suspension. This suspension, which is achieved without lowering the chassis, features more firmly tuned springs and dampers, which improves the BMW's roadholding further and enables an even more dynamic driving style.

Performance Control. This system works together with xDrive intelligent all-wheel drive to improve handling in turns by dynamically intervening in specific engine and braking processes. Performance Control optimizes the management of engine power during turns by applying the brake slightly to the inside wheel while simultaneously increasing power to the outside wheel.

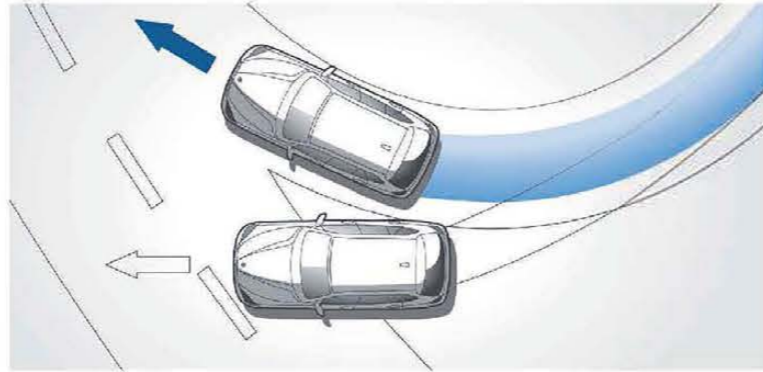
Not all features available on every model. Get the latest information on BMW standard and optional features, packages and technical specifications. Visit bmwusa.com, select the BMW model of your choice, and click on "Features & Specs."

HIGH-TECH BODYGUARDS: ACTIVE AND PASSIVE SAFETY.

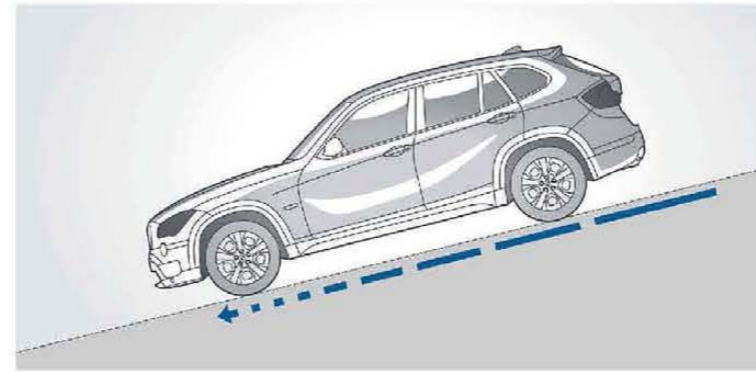
The X1 is designed with BMW's full range of standard state-of-the-art active and passive safety technologies. Active safety features, such as Xenon Adaptive Headlights, powerful engines and large brakes, help you see and respond to potentially dangerous situations. Should an accident prove unavoidable, passive safety features, such as airbags, are designed to help protect you and your passengers. After a severe impact, a host of features spring into action: the doors automatically unlock, headlights and taillights flash, the starter cable is disconnected from the battery and the fuel supply is cut off. Thanks to BMW Assist eCall,TM should any airbags deploy, response specialists are automatically alerted and notified of your location.



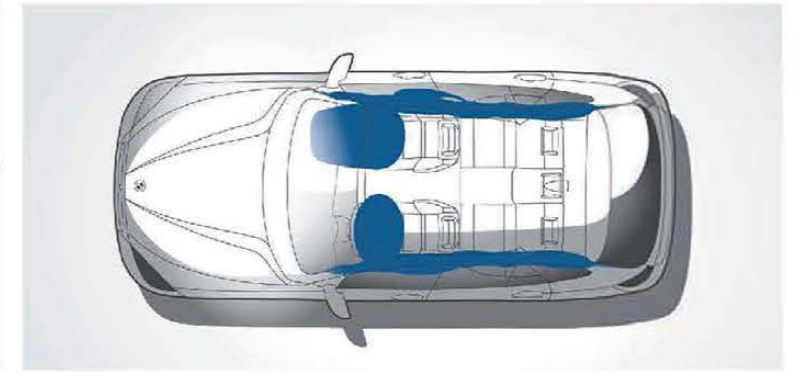
Adaptive Headlights with LED Corona headlight-rings automatically swivel to follow the curves of the road, enhancing visibility when driving at night. The system uses data from on-board sensors and the steering wheel angle to determine the vehicle's direction. The outer headlights then swivel accordingly, up to 15 degrees left or right. An auto-leveling feature adjusts the headlight beam's trajectory for varying passenger and cargo loads.



Dynamic Stability Control (DSC). This system provides remarkable tenacity on slippery road surfaces. If it senses over- or understeer, it modulates engine power and can apply brakes individually to help keep the vehicle under control and going in the intended direction. Start-off Assistant, a feature of DSC, prevents the vehicle from rolling backward on a hill for approximately 2 seconds after taking your foot off the brake. The system also includes Brake Fade Compensation, which lets you use the same amount of pedal force, even when the brakes are heated; Brake Stand-by, which pre-tenses the brakes for quicker action if you suddenly remove your foot from the accelerator pedal; and Brake Drying, which periodically brings the brake pads into contact with the rotors to eliminate accumulated moisture when it rains.

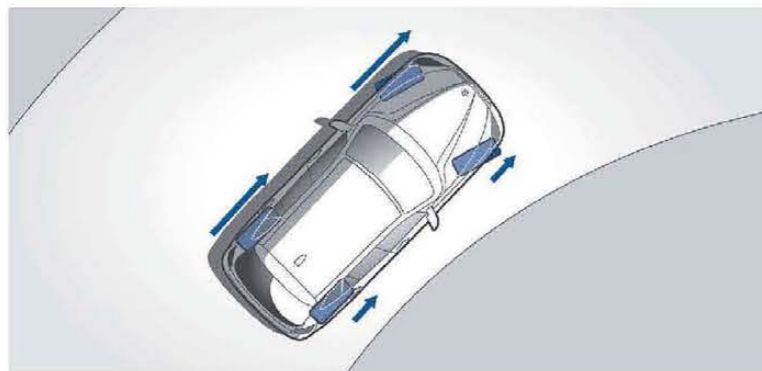


Hill Descent Control (HDC), included in the X1 xDrive28i and the X1 xDrive35i, helps the vehicle drive down steep hills without having to "ride the brake." By pressing the HDC button, the system keeps the vehicle's speed under control automatically.

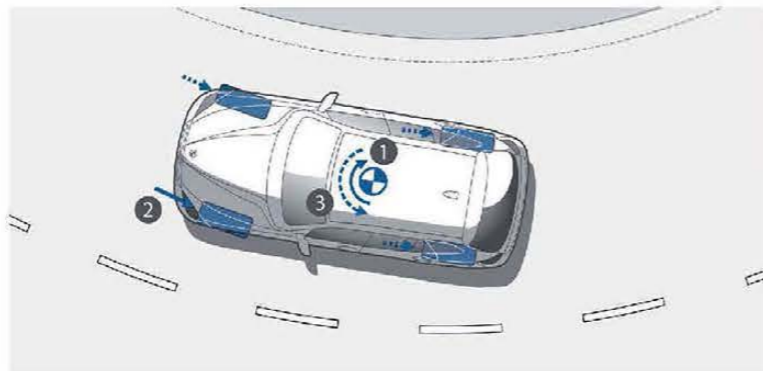


Airbags, designed to deploy only as needed in the event of a collision, are an integral part of the passive safety system in the BMW X1. Six airbags are installed for occupant protection: one front- and side-impact airbag each for the driver and front passenger, and continuous Head Protection System (HPS) airbags at the sides of the front and rear cabin to help protect all occupants.

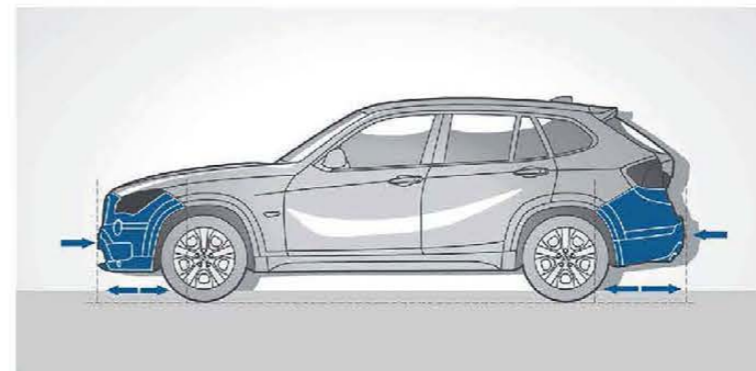
Please note: These pictures of airbags are for illustrative purposes only. Depending upon the type of accident, none, some or all may deploy.



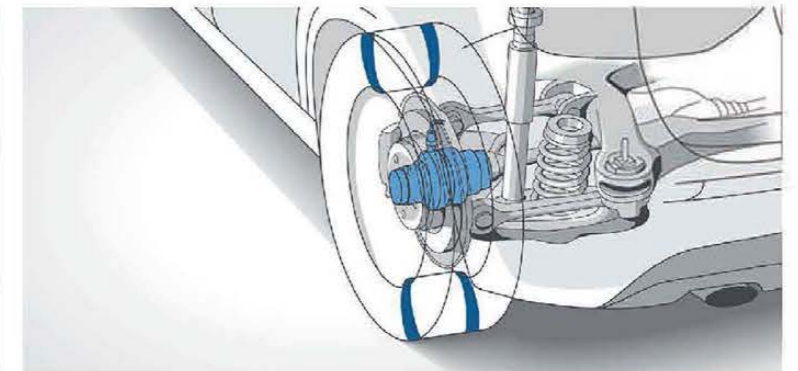
Performance Control, in BMW X1 models equipped with xDrive intelligent all-wheel drive, creates an even more agile and dynamic driving experience by controlling each wheel individually in a curve. It can vary engine power and, if necessary, apply braking force to give the outer wheels greater drive power than the inner wheels, resulting in maximum traction, precision and stability.



Cornering Brake Control (CBC) increases your vehicle's stability by proportioning the braking force while turning. When you brake in a turn, pressure comes off the rear wheels, which causes your vehicle to swerve inward (oversteer) (1). Cornering Brake Control counteracts this action by asymmetrically adjusting brake pressure (2), creating stabilizing counter-torque (3) independently of the ABS system.



Compressible "crush tubes" and impact-absorbing bumpers front and rear help absorb the force of impact in collisions up to 9 mph, helping to minimize damage to the vehicle's body and simplifying repairs. Only at higher impact speeds do structural supports begin to deform, dissipating impact energy to help protect occupants.



Run-flat tires. Thanks to reinforced sidewalls, run-flat tires maintain their shape and rim position even after suffering a complete loss of tire pressure. They allow you to continue driving at a reduced speed until you reach a safe area to change a tire or wait for Roadside Assistance. The **Tire Pressure Monitor** alerts you when there is a drop in tire pressure; if the loss is severe, an acoustic warning is triggered.

Please see Owner's Manual for more information detailing allotted miles to travel and load weight rules for run-flat tires.

Get the latest information on BMW standard and optional features, packages and technical specifications. Visit bmwusa.com, select the BMW model of your choice, and click on "Features & Specs."

THE BMW X1.



The cockpit with its center console angled toward the driver is a classic example of driver-orientated BMW design. The 3-spoke leather-wrapped multi-function sport steering wheel is a pleasure to hold. Ample storage compartments and

high-quality materials are characteristic of the open, light interior design and add to the inviting atmosphere.



The equipment configuration shown here features Black SensaTec upholstery and Satin Silver Matte interior trim. Numerous practical storage solutions provide added convenience.



Double Spoke light alloy wheels (Style 621), 17 x 7.5; and 225/50 run-flat¹ all-season tires.²



Honeycomb light alloy wheels (Style 323), 18 x 8.0 front, 18 x 9.0 rear; and 225/45 front, 255/40 rear run-flat¹ performance tires.^{2,3}



Double Spoke light alloy wheels (Style 321), 18 x 8.0; and 225/45 run-flat¹ all-season tires.²

Leather upholstery: Leather on all seating surfaces; other components may be Leather or SensaTec. Wheel and tire specifications are subject to change. Get the latest information on BMW standard and optional features, packages and technical specifications. Visit bmwusa.com, select the BMW model of your choice, and click on "Features & Specs."

¹ Run-flat tires do not come equipped with a spare tire and wheel.

² Driving over rough or damaged road surfaces, as well as debris, curbs and other obstacles, can cause serious damage to wheels, tires and suspension parts. This is more likely to occur with low-profile tires, which provide less cushioning between the wheel and the road. Be careful to avoid road hazards and reduce your speed, especially if your vehicle is equipped with low-profile tires.

³ Performance tires are not recommended for driving in ice and snow conditions.



The BMW X1 xDrive28i shown in Sparkling Brown Metallic paint.

THE BMW X1 WITH xLINE.

Interior equipment:

- Seats in:
 - Beige or Black SensaTec
 - Nevada Leather with "X" embossed on the outer headrests, in a choice of:
 - Oyster with Orange/Black contrast piping and Savanna Beige-trim floormats
 - Black with Gray/Brown contrast piping and Everest Gray-trim floormats
 - Terra with Gray/Petrol contrast piping and Everest Gray-trim floormats
- High-gloss Dark Copper or Finesline Bay Matte Wood interior trim with Pearl Gloss Chrome highlight
- Aluminum door-sill finishers with the "BMW xLine" logo

Leather upholstery: Leather on all seating surfaces; other components may be Leather or SensaTec.

Exterior equipment:

- Y Spoke light alloy wheels (Style 322), 18 x 8.0; and 225/45 run-flat¹ all-season tires.²
- Satin Aluminum roof rails

¹ Run-flat tires do not come equipped with a spare tire and wheel.

² Driving over rough or damaged road surfaces, as well as debris, curbs and other obstacles, can cause serious damage to wheels, tires and suspension parts. This is more likely to occur with low-profile tires, which provide less cushioning between the wheel and the road. Be careful to avoid road hazards and reduce your speed, especially if your vehicle is equipped with low-profile tires.

Wheel and tire specifications are subject to change. Get the latest information on BMW standard and optional features, packages and technical specifications. Visit bmwusa.com, select the BMW model of your choice, and click on "Features & Specs."



Seats in Terra Nevada Leather with Gray/Petrol contrast piping and Finesline Bay Matte Wood interior trim with Pearl Gloss Chrome highlight lend the interior an air of sophistication.



Door-sill finishers in aluminum with the "BMW xLine" logo.



Y Spoke light alloy wheels (Style 322), 18 x 8.0; and 225/45 run-flat¹ all-season tires.²



The BMW X1 xDrive28i with xLine shown in Midnight Blue Metallic paint.

THE BMW X1 WITH SPORT LINE.

Interior equipment:

- Seats in:
 - Beige or Black SensaTec
 - Black Nevada Leather with Gray/Red contrast piping
 - Coral Red Nevada Leather with Gray/Black contrast piping
- Front sport seats
- Velour floor mats with Coral Red trim
- Choice of:
 - High-gloss Black trim with Coral Red Matte highlight
 - Aluminum trim with Coral Red Matte or high-gloss Black highlight
- Aluminum door-sill finishers with the "BMW Sport" logo
- Red contrast stitching adorning the leather-wrapped multi-function sport steering wheel

Leather upholstery: Leather on all seating surfaces; other components may be Leather or SensaTec.

Exterior equipment:

- Double Spoke light alloy wheels (Style 421), 18 x 8.0; and 225/45 run-flat¹ all-season tires²
- Exterior side-view mirror caps in black
- Black chrome-plated tailpipe

¹Run-flat tires do not come equipped with a spare tire and wheel.
²Driving over rough or damaged road surfaces, as well as debris, curbs and other obstacles, can cause serious damage to wheels, tires and suspension parts. This is more likely to occur with low-profile tires, which provide less cushioning between the wheel and the road. Be careful to avoid road hazards and reduce your speed, especially if your vehicle is equipped with low-profile tires.

Wheel and tire specifications are subject to change. Get the latest information on BMW standard and optional features, packages and technical specifications. Visit bmwusa.com, select the BMW model of your choice, and click on "Features & Specs."



Driver and front passenger sport seats offer exceptional support during spirited driving maneuvers. Rendered in Coral Red Nevada Leather with Gray/Black contrast piping, they evoke classic motorsport design.



Aluminum door-sill finishers with the "BMW Sport" logo set the tone for the sporty interior.



Double Spoke light alloy wheels (Style 421), 18 x 8.0; and 225/45 run-flat¹ all-season tires.²



The BMW X1 xDrive28i with Sport Line shown in Mineral White Metallic paint.

THE BMW X1 WITH M SPORT.

Interior equipment:

- Seats in:
 - Black SensaTec
 - Sand Beige or Black Nevada Leather
 - Coral Red Nevada Leather with Gray/Black contrast piping
- Front sport seats
- Aluminum door-sill finishers with the "M" logo
- Choice of:
 - Dark Crosshatch Aluminum trim
 - Light Fineline Wood trim with Pearl Gloss Chrome highlight
 - Aluminum trim with high-gloss Black highlight
- M footrest
- Anthracite headliner
- Leather-wrapped multi-function M sport steering wheel with or without steering wheel-mounted shift paddles

Exterior equipment:

- Double Spoke light alloy wheels (Style 355M), 18 x 8.0; and 225/45 run-flat¹ all-season tires²
- Double Spoke light alloy wheels (Style 355M), 18 x 8.0 front, 18 x 9.0 rear; and 225/45 front, 255/40 rear run-flat¹ performance tires^{2,3} (includes increased top-speed limiter)
- Double Spoke light alloy wheels (Style 225M), 19 x 8.0 front, 19 x 9.0 rear; and 225/35 front, 255/30 rear run-flat¹ performance tires^{2,3} (includes increased top-speed limiter)
- Aerodynamic kit (front and rear bumpers, side skirts)
- Shadowline trim
- High-gloss black roof rails
- Sport suspension
- Performance Control on xDrive models

Leather upholstery: Leather on all seating surfaces; other components may be Leather or SensaTec.

¹ Run-flat tires do not come equipped with a spare tire and wheel.

² Driving over rough or damaged road surfaces, as well as debris, curbs and other obstacles, can cause serious damage to wheels, tires and suspension parts. This is more likely to occur with low-profile tires, which provide less cushioning between the wheel and the road. Be careful to avoid road hazards and reduce your speed, especially if your vehicle is equipped with low-profile tires.

³ Performance tires are not recommended for driving in ice and snow conditions.

Wheel and tire specifications are subject to change. Get the latest information on BMW standard and optional features, packages and technical specifications. Visit bmwusa.com, select the BMW model of your choice, and click on "Features & Specs."



M door-sill finishers with chrome insets and the "M" logo are your call to action.




Outside, Le Mans Blue Metallic paint, exclusive to the M Sport, makes an eye-catching statement, while an Aerodynamic kit, M-style light alloy wheels, shadowline trim and high-gloss roof rails accentuate the X1's athletic stance. Inside, the Black Nevada Leather interior spells serious performance and Dark Crosshatch Aluminum interior trim adds to the allure. Specially bolstered front sport seats hold you firmly during spirited driving maneuvers that take advantage of the taut sport suspension.

Double Spoke light alloy wheels (Style 355M). With run-flat¹ all-season tires²: 18 x 8.0; and 225/45 tires. With run-flat¹ performance tires^{2,3}: 18 x 8.0 front, 18 x 9.0 rear; and 225/45 front, 255/40 rear tires (includes increased top-speed limiter).

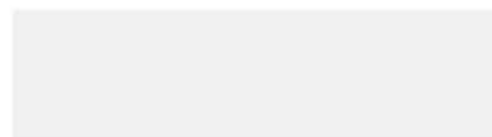
Double Spoke light alloy wheels (Style 225M), 19 x 8.0 front, 19 x 9.0 rear; and 225/35 front, 255/30 rear run-flat¹ performance tires^{2,3} (includes increased top-speed limiter).



powered by 

BMW X1.

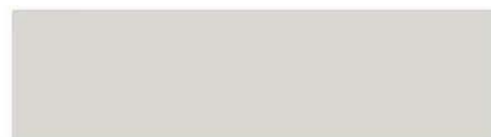
Exterior colors.



300 Alpine White Non-metallic



668 Jet Black Non-metallic



A96 Mineral White Metallic



A72 Cashmere Silver Metallic



B38 Midnight Blue Metallic



B44 Valencia Orange Metallic



B39 Mineral Gray Metallic



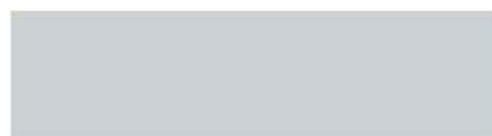
B53 Sparkling Brown Metallic



A76 Deep Sea Blue Metallic



B09 Marrakesh Brown Metallic



A83 Glacier Silver Metallic



475 Black Sapphire Metallic

Upholstery colors and materials. Interior trims.



LUSW Black Nevada Leather



4CG Satin Silver Matte



LUB4 Sand Beige Nevada Leather



4B9/4DL Aluminum with high-gloss Black highlight



KCSW Black SensaTec



4CK/4DM Light Finesline Wood with Pearl Gloss Chrome highlight



KCB4 Beige SensaTec

The pages in this section of the brochure show available colors and materials for the BMW X1. Use these samples to compare paint, upholstery, trim colors and combinations. Please note that these samples are representations; they are not exact reproductions. To see the actual colors, visit your authorized BMW center. They will be happy to show you original samples.

For details on the availability of standard and optional exterior paints and upholstery materials and colors, please visit bmwusa.com/byo.

Leather upholstery: Leather on all seating surfaces; other components may be Leather or SensaTec.

xLine.
Upholstery colors and materials.



LUTW Terra Nevada Leather with Gray/Petrol contrast piping



LUG1 Black Nevada Leather with Gray/Brown contrast piping



LUDP Oyster Nevada Leather with Orange/Black contrast piping

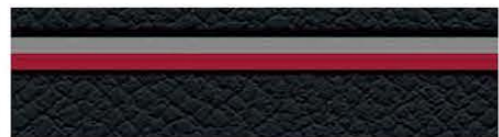


KCB4 Beige SensaTec



KCSW Black SensaTec

Sport Line.
Upholstery colors and materials.



LUG9 Black Nevada Leather with Gray/Red contrast piping



LUTZ Coral Red Nevada Leather with Gray/Black contrast piping



KCSW Black SensaTec



KCB4 Beige SensaTec

Sport Line.
Interior trims.



4AT/4DN High-Gloss Black with Coral Red Matte highlight



4B3/4DN Aluminum with Coral Red Matte highlight



4B3/4DL Aluminum with High-Gloss Black highlight

M Sport.
Exterior colors.



3B1 Le Mans Blue Metallic

M Sport.
Upholstery colors and materials.



KCSW Black SensaTec



LUB4 Sand Beige Nevada Leather



LUSW Black Nevada Leather



LUTZ Coral Red Nevada Leather with Gray/Black contrast piping

M Sport.
Interior trims.



4MP Dark Crosshatch Aluminum



4CK/4DM Light Finition Wood with Pearl Gloss Chrome highlight



4B9/4DL Aluminum with High-Gloss Black highlight

xLine.
Interior trims.



4L3/4DM High-Gloss Dark Copper with Pearl Gloss Chrome highlight



4EB/4DM Finition Bay Matte Wood with Pearl Gloss Chrome highlight

Leather upholstery: Leather on all seating surfaces; other components may be Leather or SensaTec.

The pages in this section of the brochure show available colors and materials for the BMW X1. Use these samples to compare paint, upholstery, trim colors and combinations. Please note that these samples are representations; they are not exact reproductions. To see the actual colors, visit your authorized BMW center. They will be happy to show you original samples.

For details on the availability of standard and optional exterior paints and upholstery materials and colors, please visit bmwusa.com/byo.

Equipment features and options.



Xenon low- and high-beam headlights illuminate the road ahead and to the side with brilliant clarity. An auto-leveling feature adjusts for varying passenger and cargo loads. LED **Corona headlight-rings** that circle both headlights and high beams also act separately as Daytime Running Lights and parking lights. **Xenon Adaptive Headlights** optimize road illumination when entering a turn or corner, helping to enhance visibility when driving at night. Sensors continuously monitor the angle of the steering wheel to determine the direction in which your vehicle is heading. The outer headlights swivel accordingly, up to 15 degrees left or right.



Taillight cluster with taillight, brakelight and turn-signal indicators incorporate LED technology for greater visibility. **Adaptive Brakelights** warn following vehicles by increasing in brightness when the intensity of your braking action is increased.



Halogen free-form foglights, built into the front air dam, enhance your margin of safety in poor visibility. Ellipsoid free-form technology provides for even light distribution on the road.



Power-adjustable, folding exterior side-view mirrors in body color feature integrated LED turn indicators. Automatic anti-glare function dims mirrors when reflecting bright lights, helping to eliminate glare when driving at night.



Automatic high beams switch between high and low beams according to oncoming traffic, traffic ahead and the level of street lighting.



Rain sensor uses infrared light to measure the amount of rain. When the wipers are in the "intermittent" mode, the rain sensor automatically adjusts the windshield-wiping interval as needed.



Black roof rails, cleanly integrated into the BMW X1 design, provide the foundation for BMW's (accessory) modular roof rack system, which allows the convenient, secure transport of luggage, bicycles, surfboards, etc.



Satin Aluminum roof rails give the X1 an elegant appearance – especially when equipped with the xLine.



High-gloss roof rails, included with the M Sport, underscore the dynamic look of shadowline trim.



Panoramic moonroof features extra-large dual-glass panels to let the sun and stars shine in, whether it is open or closed. Easy-to-use features include a power slide and lift control, a comfort opening/closing function, and a power sunshade to shield passengers from excessive glare and heat.

Anthracite headliner complements the black moonroof trim and roof handles.



Chrome-line exterior trim adds the perfect finishing touch, enhancing the window recess finishers at the B-pillar panel, the rear window guide panel and specific mirror features.



Shadowline trim, included with M Sport, covers the B-pillar trims, the window guide, the window recess finishers, the mirror base and mirror frame in high-gloss black.



Door lighting helps provide safe vehicle access in the dark, with lights in the door handles that radiate downward 20 seconds after unlocking doors.

Get the latest information on BMW standard and optional features, packages and technical specifications. Visit bmwusa.com, select the BMW model of your choice, and click on "Features & Specs."

Equipment features and options.



Star Spoke light alloy wheels (Style 317), 17 x 7.5; and 225/50 run-flat¹ all-season tires.²



Double Spoke light alloy wheels (Style 621), 17 x 7.5; and 225/50 run-flat¹ all-season tires.²



Star Spoke light alloy wheels (Style 320), 18 x 8.0; and 225/45 run-flat¹ all-season tires.²



Double Spoke light alloy wheels (Style 321), 18 x 8.0; and 225/45 run-flat¹ all-season tires.²



Y Spoke light alloy wheels (Style 322), 18 x 8.0; and 225/45 run-flat¹ all-season tires.²



Honeycomb light alloy wheels (Style 323), 18 x 8.0 front, 18 x 9.0 rear; and 225/45 front, 255/40 rear run-flat¹ performance tires.^{2,3}



Double Spoke light alloy wheels (Style 421), 18 x 8.0; and 225/45 run-flat¹ all-season tires.²



Double Spoke light alloy wheels (Style 355M). With run-flat¹ all-season tires²: 18 x 8.0; and 225/45 tires. With run-flat¹ performance tires^{2,3}: 18 x 8.0 front, 18 x 9.0 rear; and 225/45 front, 255/40 rear tires (includes increased top-speed limiter).



Double Spoke light alloy wheels (Style 225M), 19 x 8.0 front, 19 x 9.0 rear; and 225/35 front, 255/30 rear run-flat¹ performance tires^{2,3} (includes increased top-speed limiter).

¹ Run-flat tires do not come equipped with a spare tire and wheel.

² Driving over rough or damaged road surfaces, as well as debris, curbs and other obstacles, can cause serious damage to wheels, tires and suspension parts. This is more likely to occur with low-profile tires, which provide less cushioning between the wheel and the road. Be careful to avoid road hazards and reduce your speed, especially if your vehicle is equipped with low-profile tires.

³ Performance tires are not recommended for driving in ice and snow conditions.



Three-spoke, leather-wrapped multi-function sport steering wheel lets you keep both hands on the wheel while adjusting both the audio and a Bluetooth® enabled mobile phone. Voice command can be used to change audio selections, Navigation system destinations and telephone entries.



Three-spoke, leather-wrapped multi-function M sport steering wheel includes a thick, textured rim and thumb indents that are designed for performance driving. Racing-inspired steering wheel-mounted paddle shifters allow fast, clutchless gear shifts.



8-speed STEPTRONIC automatic transmission with Adaptive Transmission Control (ATC) provides extremely fast synchronized shifting in either the Sport or Manual shift mode. By increasing the number of gears to eight, the transmission provides a more efficient shifting sequence and improved fuel economy.



Dynamic cruise control with braking function reduces your set speed in curves for comfortable lateral acceleration. At the end of the curve, the X1 accelerates and resumes your original set speed.



Auto Start-Stop display in the Info Display indicates when the engine has been switched off by the Auto Start-Stop function, such as when sitting at a traffic light. The display turns off when the engine automatically restarts.



Smartphone Integration, which provides connectivity for iPhone® and similar devices, is included with Enhanced USB and Bluetooth. This allows access to stored music, can improve signal reception, and recharges the phone battery. (Visit bmwusa.com/bluetooth or visit your authorized BMW center for compatible phone models.) (Shown with Snap-in Adapter accessory.)



ECO PRO mode, which is activated via the Driving Dynamics Control switch, allows a particularly fuel-efficient style of driving.



BMW Navigation system includes BMW iDrive system and a high-resolution, 8.8-inch glare-free monitor; 3-D daytime and nighttime maps; zoom and travel planner. Offers up to 12 GB of space on an internal hard drive for storing favorite entertainment media. European image shown.



Auxiliary input port includes a 12-volt socket, letting you connect an external audio source, such as an iPod® or MP3 player. **USB audio connection and hands-free Bluetooth with Audio Streaming** provides a wireless connection between Bluetooth capable mobile phones and the vehicle, letting you scroll through and select music via the vehicle's radio controls, the multi-function steering wheel buttons, or the iDrive Controller. The integrated USB interface can be used to connect audio sources, such as iPods, MP3 players and USB sticks.



HiFi speaker system delivers brilliant sound. An available **Harman Kardon® Surround Sound System** delivers powerful amplification with 11 speakers for superb sound.

Wheel and tire specifications are subject to change. Get the latest information on BMW standard and optional features, packages and technical specifications. Visit bmwusa.com, select the BMW model of your choice, and click on "Features & Specs."

Equipment features and options.



8-way adjustable front sport seats feature special side bolsters and power backrest width adjustment to support you during spirited driving maneuvers. Seat fore/aft position, seat height, backrest angle, seat angle and thigh support can be manually adjusted.



8-way adjustable front seats allow manual adjustment of the seat height, fore/aft seat position, backrest angle and headrest height.



12-volt sockets are conveniently located underneath the fold-down center armrest, on the edge of the rear center console, and on the right side of the cargo area.



Lockable compartment at the top of the instrument panel offers spacious storage for travel necessities.



Automatic climate control system allows occupants to select a specific cabin temperature and choice of fan speeds, as well as automatic or manual airflow and recirculation. The automatic recirculation control activates whenever certain air pollutants are detected. The system also includes defrost/demist and MAX A/C functions.



BMW anti-theft AM/FM stereo CD/MP3 player includes Radio Data System, Auto-Store and 3-channel FM diversity antenna; reads/displays song title.



Rear armrest features two integrated cupholders. The armrest can be raised to accommodate a third passenger.



Storage space abounds throughout the BMW X1 cabin. Pockets in all four doors accommodate various size bottles; tensioning belts in the front door pockets provide useful space for a variety of travel items.



Heated front seats are a welcome feature in cooler weather. Driver and front passenger can individually select from three settings for seat surfaces and backrests.



Power front seat adjustment customizes seat height, seat and backrest angle, and fore/aft position. Includes a two-driver memory function for driver's seat and power-folding exterior mirrors.



Lumbar support for front seats adds four-way adjustable comfort for the lower back. Lumbar support can be adjusted up/down and in/out.



Storage compartment under the cargo area floor includes four variable divider elements for flexible usage.



Extra cupholders can be mounted on the center console.



Cupholders are ergonomically positioned for easy access in the center console.

Get the latest information on BMW standard and optional features, packages and technical specifications. Visit bmwusa.com, select the BMW model of your choice, and click on "Features & Specs."

Original BMW Accessories.



19-inch V Spoke Ferric Gray light alloy wheels (Style 324), BMW Replacement Performance Carbon-Fiber Mirror Caps, BMW Base Support System and BMW Roof Box 460 in Black.



BMW holder for Apple iPad® mounted on the back of the front headrests.



BMW Floormats provide a custom fit. Made of 100% pure rubber, they feature deep channels to trap water, slush, snow and dirt, and will not crack, curl or stiffen in any temperature.



Snap-in Adapter with USB interface makes it easy to hook up your mobile phone to make calls or play stored music, while it accesses the car antenna and charges the phone.



Heavy-duty cargo-area mat is specially tailored to fit the X1 cargo area and protect it from fluids and mud.

BUILD YOUR OWN BMW – AT BMWUSA.COM/BYO.



At BMW, we want you to create your own Ultimate Driving Machine®. That's why BMW offers one of the widest model ranges of any luxury automotive manufacturer. And each BMW model offers its own universe of personalizing possibilities.

It's easy to get the latest information on your favorite BMW model, whether you're at your desk or on the go. Visit bmwusa.com on your computer, tablet or smartphone, and click on the BMW model of your choice. Select "Features & Specs" to see all the standard features and available options and packages, as well as technical specifications.

You can then create the exact BMW model that fulfills your needs by clicking on "Build Your Own" – or visiting bmwusa.com/byo. Here you'll be able to select from among the many interior and exterior colors and trims, personalizing options and value-added packages. Build a BMW model that reflects your style, then view it in 360° detail. At the press of a button, see payment and financing options, get a same-day quote, download a product brochure and even schedule a test drive. BMW makes it easier than ever to make your ultimate driving dreams come true, at bmwusa.com.

Driving a BMW is always a special experience – but it can be enhanced even further with Original BMW Accessories. These innovative products combine unique ideas, stunning design and easy functionality. Discover the wide range of Original BMW Accessories available to you, including accessories for the exterior, interior, technology, transporters, protection and details to customize your vehicle. For additional information on Original BMW Accessories, please visit your authorized BMW center or log on to shopbmwusa.com.

Weight		X1 sDrive28i	X1 xDrive28i	X1 xDrive35i
Unladen weight	lb	3527	3726	3891
Weight distribution, front / rear	%	49.4 / 50.6	50.6 / 49.4	52.1 / 47.9
Permitted payload	lb	904	904	904

Engine		TwinPower Turbo / Inline 4 / 4	TwinPower Turbo / Inline 4 / 4	TwinPower Turbo / Inline 6 / 4
Type / cylinders / valves per cylinder				
Displacement	cc	1997	1997	2979
Bore / stroke	inch	3.30 / 3.50	3.30 / 3.50	3.30 / 3.50
Nominal output / rpm	hp	240 / 5000-6500	240 / 5000-6500	300 / 5800
Maximum torque / rpm	lb-ft	260 / 1250-4800	260 / 1250-4800	300 / 1300-5000
Compression ratio	:1	10.0	10.0	10.2

Transmission				
Automatic gear ratios				
I / II / III / IV	:1	4.71 / 3.14 / 2.11 / 1.67	4.71 / 3.14 / 2.11 / 1.67	4.71 / 2.34 / 1.52 / 1.14
V / VI / VII / VIII / R	:1	1.29 / 1.00 / 0.84 / 0.67 / 3.30	1.29 / 1.00 / 0.84 / 0.67 / 3.30	0.87 / 0.69 / - / - / 3.40
Final drive ratio	:1	3.15	3.15	3.64

Performance				
Top speed ¹	mph	127 [149]	127 [149]	127 [149]
Acceleration 0-60 mph ²	sec	6.2	6.3	5.3

Fuel consumption ³				
City	mpg	23	22	18
Highway	mpg	34	33	27
Tank capacity, approximate	gal	16.6	16.6	16.6

Wheels				
All-season tire dimensions		225 / 50	225 / 50	225 / 45
Wheel dimensions	inch	17 x 7.5	17 x 7.5	18 x 8.0
Material		light alloy	light alloy	light alloy

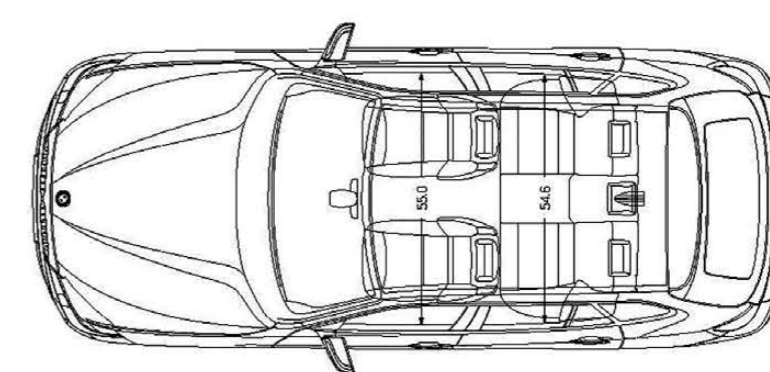
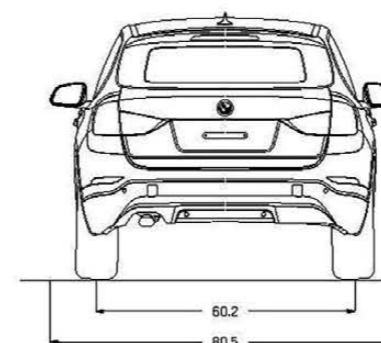
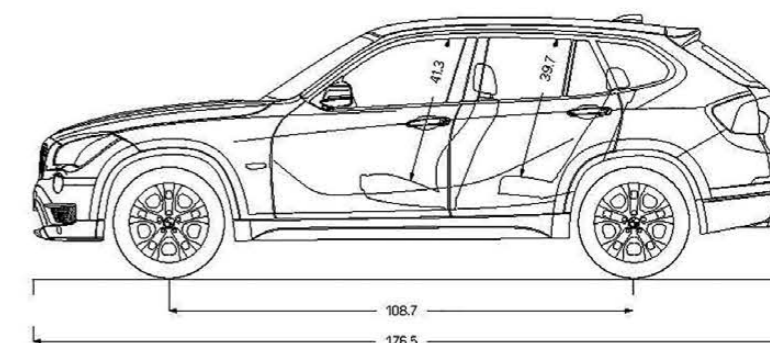
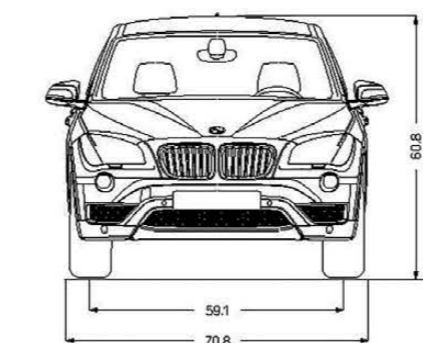
Figures in [] apply to vehicles with performance tires and increased top-speed limiter.

¹ Top speed limited electronically.

² BMW AG test results. Actual acceleration results may vary, depending on specification of vehicle; road and environmental conditions; testing procedures and driving style. These results should be used for comparison only and verification should not be attempted on public roads. BMW urges you to obey all posted speed laws and always wear safety belts.

³ EPA-estimated figures are for comparison purposes only. Your actual mileage will vary, depending on speed, driving habits, trip length and driving conditions; actual mileage will most likely be lower.

BMW X1



All dimensions in the technical drawings are given in inches.

U.S. Importer: BMW of North America, LLC, Woodcliff Lake, NJ 07677. All illustrations and specifications contained in this brochure are based on the latest product information available at the time of printing. BMW reserves the right to make changes at any time, without notice, in colors, materials, equipment, specifications, design and models. BMW may, subject to legal requirements, determine the Model Year designation of its vehicles. The Model Year designation on any particular model may be longer or shorter than 12 months. Some vehicles pictured may contain non-U.S. equipment. Some models may be shown with optional equipment. While BMW NA makes all reasonable efforts to provide accurate information in this brochure, there is no guarantee or warranty of accuracy. Furthermore, we do not assume any liability for the accuracy or completeness of information presented. This brochure shall not be used or relied upon as a substitute for information that is available from your authorized BMW center. Further information can be obtained from your authorized BMW center or bmwusa.com.

©2014 BMW of North America, LLC Not to be reproduced wholly or in part without written permission of BMW NA. The BMW name, logo, model names, Sports Activity Vehicle and SAV are registered trademarks.

The Bluetooth word mark and logos are owned by the Bluetooth SIG, Inc. and any use of such marks by BMW is under license. iPhone, iPad and iPod are registered trademarks of Apple Inc. Other trademarks and trade names are the property of their respective owners.

We believe that a premium ownership experience should feature performance and luxury, as well as safety and convenience. We believe you should be able to drive a BMW to its potential, while enjoying peace of mind and reduced cost of ownership. That's the idea behind **BMW Ultimate Service**[®], a suite of comprehensive programs and services that are included in every new BMW vehicle. It starts with the **New Vehicle/SAV Limited Warranty**¹, providing you with coverage for the first four years or 50,000 miles, whichever comes first. Additionally, you

enjoy 12-year, unlimited-mileage warranty protection against corrosion and rust perforation.¹ BMW Ultimate Service continues with **BMW Maintenance Program** for up to the first four years or 50,000 miles,² **BMW Roadside Assistance**, and more. The X1 also comes with a broad range of BMW ConnectedDrive[®] services as standard, including **BMW Assist eCall**^{TM3} and **BMW TeleService**,³ and as optional **BMW Online**,⁴ **Remote Services**⁵ and **Concierge Services** with **Critical Calling**.⁴

GOING BEYOND ENGINEERING: THE HIGH-PERFORMANCE BMW OWNERSHIP EXPERIENCE.



BMW Maintenance Program² is one of the most comprehensive maintenance programs in its class. We cover all factory-recommended maintenance for up to the first four years or 50,000 miles, whichever comes first. This includes scheduled oil services and inspections. Also covered is the replacement of items that are subject to normal wear and tear, such as brake pads, wiper blade inserts and engine drive belts.² And, thanks to BMW's advanced engineering, most owners enjoy a well-balanced maintenance schedule, with flexible routine service intervals that can save you time. When your vehicle requires attention, your authorized BMW center ensures that it receives only genuine BMW parts – your assurance of exacting quality standards.

For more details on BMW Ultimate Service and the BMW Maintenance Program, visit your authorized BMW center or log on to bmwusa.com/ultimateservice.



BMW Assist eCall³ a safety feature of BMW ConnectedDrive[®] lets you enjoy peace of mind knowing that a friendly response specialist is there to help you, 24/7, at just the push of a button. This includes Emergency Request (SOS button), Automatic Collision Notification, and Customer Relations. **BMW TeleService**³ continually monitors specific vehicle parts that are subject to wear and tear, as well as services that require attention at regular intervals, such as vehicle service inspections. This data is automatically transmitted to your authorized BMW center, which informs a BMW Service Advisor to call and schedule a convenient service appointment. You don't have to keep track of when your vehicle requires routine maintenance. An added benefit: any needed maintenance service parts will already be on hand, so your BMW is serviced and returned to you as quickly as possible. And because they use only Original BMW Parts, you can rely on expert fit and long-lasting BMW quality.



BMW Roadside Assistance is provided free of charge for the first four years – with no mileage limit. Call **1-800-332-4BMW (4269)** for friendly on-the-road help, 24/7, anywhere in the United States, Canada and Puerto Rico. This includes everything from flat-tire changes, emergency gasoline and lock-out service, to towing, alternative transportation and even trip-interruption benefits. This service also provides valuable trip-routing advice.

BMW Online⁴ provides up-to-date web information: business and stock reports, as well as weather updates. BMW Online also includes **MyInfo**, which allows you to send business locations and street addresses with their associated phone numbers from the Google MapsTM website directly to your BMW. The destination can be sent to your Navigation system for turn-by-turn directions.

Remote Services⁵ includes Remote Door Unlock, Stolen Vehicle Recovery, and access to the My BMW Remote app, which allows you to control your BMW from your mobile device.

For the ultimate in coverage, add the optional **Concierge Services**.⁴ You'll enjoy unlimited access to personalized Directions and services for restaurant and hotel recommendations, with the destination address and phone number not only sent right to your BMW, but also transferred to your Navigation system for route guidance. Another useful Concierge feature: **Critical Calling**. This lets you make up to four operator-assisted calls per year, up to five minutes per call, if your mobile phone is not available, or if its battery is discharged.



EXPERIENCE MORE WITH BMW.



BMW Financial Services. Arranging to buy or lease a BMW is easier than you may think. Your authorized BMW center offers leasing and financing to suit your personal needs through BMW Financial Services.⁶ Start the process at our website, where you can build your "dream vehicle," get an estimate on a monthly lease or financing payment, submit a credit application to BMW Financial Services – and get approval – all online!⁶ To find out how BMW Financial Services can help put you behind the wheel of your favorite BMW model, log on to bmwusa.com/fs or call, toll-free, **1-800-578-5000**.



BMW Virtual Center. If you get the sudden urge to shop for a BMW but your authorized BMW center is closed, there's good news – the BMW Virtual Center is open 24 hours a day! Log on to bmwusa.com/byo, and choose the model that interests you. Configure the BMW of your dreams, and see what the monthly payments would be. You can even send the specifications to your authorized BMW center, apply for financing, or request a test drive – all online!



BMW Magazine. A fascinating view of the latest events and products in the world of BMW, including travel reviews, personality profiles, and the latest BMW technologies. **BMW Magazine** is sent to new owners and lessees twice a year.



BMW Performance Driving School. Take your driving skills to the next level. Behind the wheel of new BMWs and under the guidance of professional instructors, you'll hone your driving skills on a 1.7-mile driving course that can be configured in a multitude of ways. In One- and Two-Day Schools you can tackle the skid pad, slalom course and water walls. The BMW Performance Driving School is about control and pushing a BMW to its limits – and yours. Visit bmwusa.com/pds.

Performance Center Delivery. You'll always remember the fun of taking delivery of your new BMW – especially with BMW Performance Center Delivery in Spartanburg, SC. After enjoying dinner and an overnight stay at a first-class hotel, we'll take you and your companion to the Performance Center where a Product Specialist will give you an in-depth introduction to your new BMW. Then at the Performance Driving School, you'll get tips from a professional driving instructor as you explore the dynamic capabilities of a similar model. It's exciting, it's enlightening – and it's all compliments of BMW with your new vehicle. To learn

more about the BMW Performance Center, call **1-888-345-4269** or visit bmwusa.com/pdsdelivery.



The **BMW Welt** ("BMW World") delivery and brand-experience center in Munich is bold proof of BMW's passion for design. When you take advantage of the BMW European Delivery Program,⁷ this is where you will meet your new BMW – in a personalized process that is highly dramatic and totally unforgettable. (You might also realize substantial savings that just may pay for your trip.) While you're there, marvel at the historic BMWs in the Museum; learn about our engineers' newest innovations in the Technology and Design Atelier; and take a tour of the plant to experience firsthand the state-of-the-art methods used to create a BMW. Then comes the unique experience of driving your new BMW on the roads it was designed for. To learn more, visit bmwusa.com/europeandelivery.

ON-BOARD SERVICE ALERTS.

We monitor your BMW's needs – so you don't have to.

Tackling mountain switchbacks, the last thing you should be thinking about is the state of your brake pads. Thanks to BMW's integrated on-board diagnostics system, you'll always know exactly when the next service is due, and what work will be required. Condition Based Service (CBS) measures the condition of key parts that are subject to wear and tear. It also tracks fluid levels and monitors your BMW's time- and mileage-dependent service requirements. Using this data, the Info Display in the cockpit automatically alerts you in advance whenever any part of your vehicle will require servicing – so there are no surprises ahead.

¹ See your authorized BMW center for details on these limited warranties.

² All BMWs come with the BMW Maintenance Program standard for up to 4 years or 50,000 miles from the in-service date, whichever comes first. The BMW Maintenance Program covers factory-recommended maintenance services as determined by the Service Interval Indicator for all new eligible MY2004 and later BMW vehicles. Exclusions from coverage include: gasoline, gasoline additives, windshield washer fluid and additives, battery, tires, wheels, wheel alignment and tire balancing. All work must be performed by an authorized BMW center. For all Model Year 2015 and later vehicles sold or leased by an authorized BMW center on or after July 1, 2014: BMW Maintenance Program coverage is not transferable to subsequent purchasers, owners or lessees. Certain limitations and exclusions apply to this program; please see bmwusa.com/ultimateservice or ask your authorized BMW center for details.

³ On 2015 and later BMW X1 models, BMW Assist eCall and BMW TeleService are standard and include 10 years of service. Optional Remote Services includes 10 years of service. In order to receive these services, a subscriber agreement must be completed and transferred to the BMW AssistTM Response Center. GPS and underlying wireless services must be available and functioning, vehicle ignition must be turned on (except for Remote Services), battery must be charged and connected, and vehicle's electrical system operational. Due to wireless carrier coverage, services may be limited in certain geographic areas. Call toll-free **1-888-333-6118**, go to bmwassist.com, or visit your authorized BMW center for additional program details. Services are subject to the terms and conditions of your subscriber agreement.

⁴ BMW Online and Concierge Services are optional and include a 3-year subscription. Subject to the terms and conditions of your subscriber agreement. Please go to bmwusa.com/connecteddrive for additional details.

⁵ Not all mobile phones are compatible with Mobile Office, and some compatible phones support a limited number of Mobile Office functions. For the complete list of compatible mobile phones and the details regarding which Mobile Office functions are supported by each phone, please visit bmwusa.com/bluetooth.

⁶ Subject to credit approval and other terms and conditions.

⁷ Not all models are available for BMW European Delivery Program. Please go to bmwusa.com/europeandelivery or visit your authorized BMW center for details.

More about BMW



bmwusa.com
1-800-334-4BMW

The Ultimate
Driving Machine®



BMW and the environment.

BMW is a strong proponent of the environment and social responsibility. We launched BMW EfficientDynamics back in 2000 – the philosophy of providing greater power with increased efficiency and fewer emissions. This has resulted in significant benefits today – for our customers, the climate and the environment.

That year, ecological sustainability was also declared one of BMW's core strategic principles; it is now firmly anchored in our entire production chain. It starts with the development of fuel-saving and alternative vehicle concepts, continues with environmentally friendly production processes, and ends with innovative recycling methods. This effort has been recognized worldwide; in 1999, BMW AG – the parent company of BMW of North America and BMW Manufacturing Co. in Spartanburg, SC – was the first automotive company to be represented on the Dow Jones Sustainability Group Index. It has remained on the Index ever since; moreover, since 2005, BMW has been voted the world's most sustainable automobile manufacturer. At BMW, we strive for and achieve high performance in all we do.



BMW recommends **EDGE**