



# THE LEGEND.

## SEDAN, SPORTS WAGON AND GRAN TURISMO.

Near-perfect weight balance. Smooth engines. Refined road manners. For over 40 years, the BMW 3 Series has shown everyone what a true sports sedan is. Whether you choose the Sedan, Sports Wagon or Gran Turismo, you're getting a 3 Series built to continue that legacy for another 40 years and beyond.

**BMW 3 SERIES**

**3**





X Close

## A SPORTS SEDAN WITHOUT EQUAL.

Take the long way home. From the refined 320i to the corner-hugging 340i with M-tuned suspension, each features near-perfect 50/50 weight distribution and precise dynamics that will encourage you to find the nearest back road.

## BMW 3 SERIES SEDAN

[EXTERIOR COLORS](#)

[UPHOLSTERY](#)

[INTERIOR TRIMS](#)

[WHEELS / TIRES](#)

[PACKAGES](#)

[TECHNICAL DATA](#)





### **THREE WAYS TO CONNECT WITH THE 3.**

The BMW iDrive Controller provides quick access to important features via the rotating knob, menu buttons surrounding the Controller, and the touchpad. Just swipe your finger across the top and letters will appear on the iDrive Display.





**ADD M TO YOUR LEGEND.**

Bring the power of M to your 3 Series with the M Sport Package. A leather-wrapped M steering wheel with paddle shifters, Aluminum Hexagon trim, M aluminum footrest and exclusive M badging on the inner door sills provide adrenaline-pumping style.

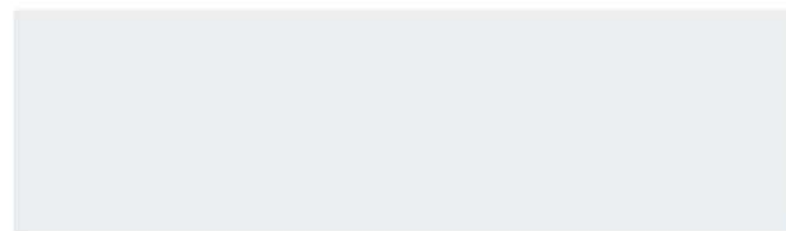


# 3

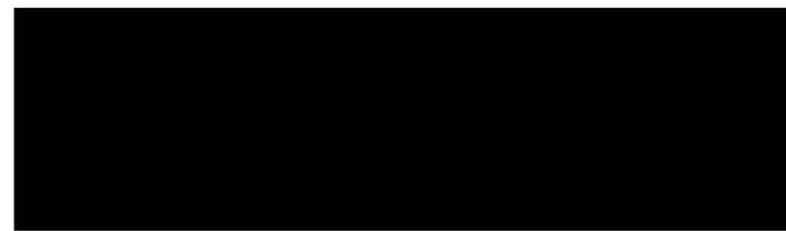
## SERIES SEDAN

## EXTERIOR COLORS

### NON-METALLIC



**300** Alpine White (Non-metallic)



**668** Jet Black (Non-metallic)

### METALLIC



**475** Black Sapphire Metallic



**A75** Melbourne Red Metallic



**A83** Glacier Silver Metallic



**A89** Imperial Blue Metallic



**A96** Mineral White Metallic



**B39** Mineral Gray Metallic



**B65** Jatoba Brown Metallic



**C08** Platinum Silver Metallic



**C10** Mediterranean Blue Metallic



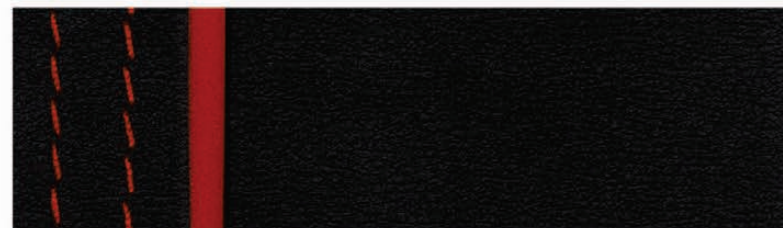
**B45** Estoril Blue Metallic



# 3 SERIES SEDAN

## UPHOLSTERY

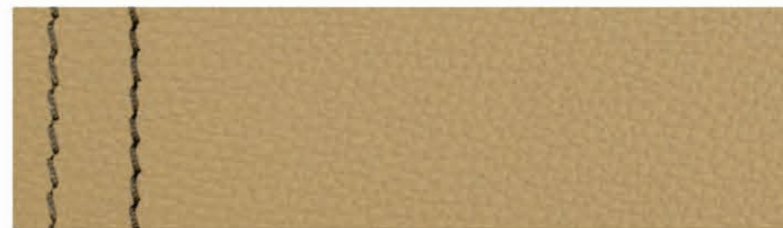
### SENSATEC



**KCL3** Black SensaTec / Red highlight



**KCSW** Black SensaTec



**KCV1** Venetian Beige / Black SensaTec

### DAKOTA LEATHER



**LCDJ** Saddle Brown Dakota Leather / Dark Brown highlight



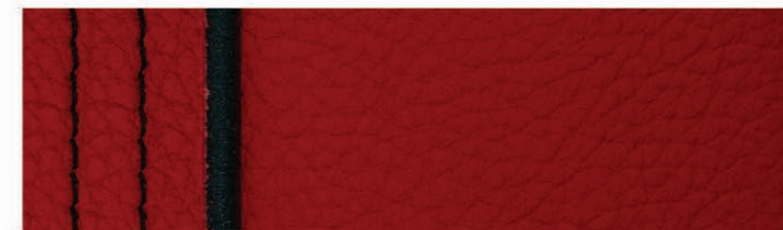
**LCDY** Saddle Brown Dakota Leather / Dark Brown highlight with Brown lower dashboard



**LCFL** Venetian Beige / Black Dakota Leather / Dark Oyster highlight



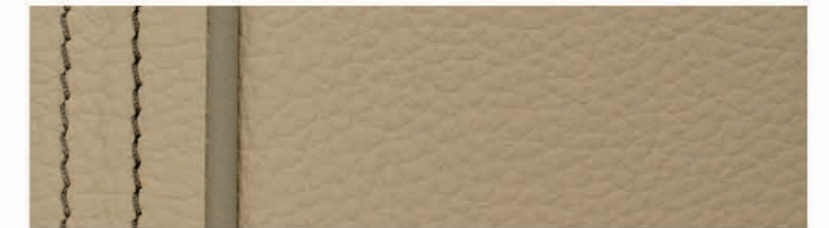
**LCL3** Black Dakota Leather / Red highlight



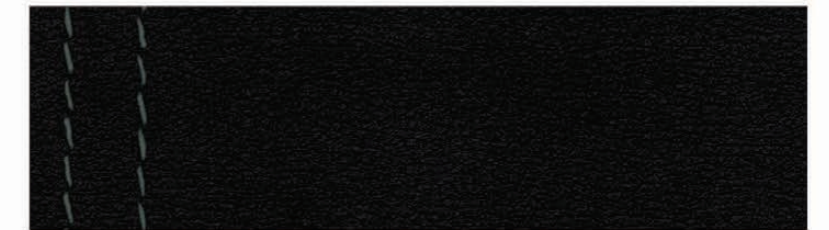
**LCL5** Coral Red Dakota Leather / Black highlight



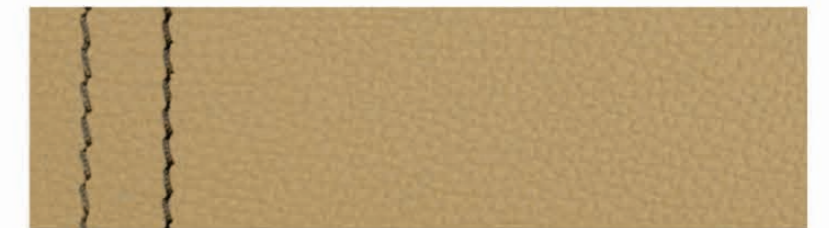
**LCL8** Black Dakota Leather / Dark Oyster highlight



**LCOM** Oyster Dakota Leather / Dark Oyster highlight



**LCSW** Black Dakota Leather



**LCV1** Venetian Beige / Black Dakota Leather

Leather: Leather on all seating surfaces; other components may be Leather or SensaTec.

Not all features are available on all models. Get the latest information on standard and optional features, packages and technical specifications. Visit [bmwusa.com](http://bmwusa.com) and select the BMW model of your choice.



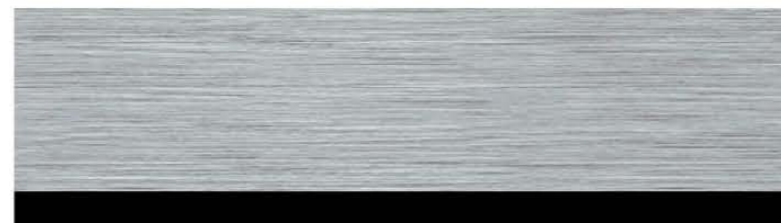
# 3 SERIES SEDAN

## INTERIOR TRIMS

### INTERIOR TRIMS



**4FU** Fineline Anthracite Wood trim /  
Pearl Gloss Chrome highlight



**4FT** Brushed Aluminum trim /  
high-gloss Black highlight



**4GA** Ash Grain Wood trim with Metal inlay /  
Pearl Gloss Chrome highlight



**4WF** Aluminum Hexagon trim /  
Estoril Blue matte highlight



**4FW** Burl Walnut Wood trim /  
Pearl Gloss Chrome highlight



**4WG** Aluminum Hexagon trim /  
high-gloss Black highlight



**4CG** Silver Matte



# 3 SERIES SEDAN

## WHEELS / TIRES



**Double Spoke Orbit Gray light alloy wheels (Style 442M)**  
19 x 8.0 front, 19 x 8.5 rear;  
and 225/40 front, 255/35 rear  
run-flat<sup>1</sup> performance tires<sup>2,3</sup>



**V Spoke Orbit Gray light alloy wheels (Style 398)**  
18 x 8.0 front, 18 x 8.5 rear;  
and 225/45 front, 255/40 rear  
non-run-flat<sup>1</sup> performance tires<sup>2,3</sup>



**Star Spoke light alloy wheels (Style 400M)**  
18 x 8.0 front, 18 x 8.5 rear;  
and 225/45 front, 255/40 rear  
run-flat<sup>1</sup> performance tires<sup>2,3</sup>  
18 x 8.0; and 225/45  
non-run-flat<sup>1</sup> all-season tires<sup>2</sup>



**Double Spoke light alloy wheels (Style 397)**  
18 x 8.0 front, 18 x 8.5 rear;  
and 225/45 front, 255/40 rear  
run-flat<sup>1</sup> performance tires<sup>2,3</sup>  
18 x 8.0; and 225/45 run-flat<sup>1</sup>  
performance tires<sup>2,3</sup> or all-season tires<sup>2</sup>



**Turbine Styling light alloy wheels (Style 395)**  
18 x 8.0; and 225/45  
non-run-flat<sup>1</sup> all-season tires<sup>2</sup>



**Star Spoke light alloy wheels (Style 403M)**  
19 x 8.0 front, 19 x 8.5 rear;  
and 225/40 front, 255/35 rear  
run-flat<sup>1</sup> performance tires<sup>2,3</sup>



**Star Spoke light alloy wheels (Style 407)**  
19 x 8.0 front, 19 x 8.5 rear;  
and 225/40 front, 255/35 rear  
run-flat<sup>1</sup> performance tires<sup>2,3</sup>



**Double Spoke light alloy wheels (Style 392)**  
17 x 7.5; and 225/50  
run-flat<sup>1</sup> all-season tires<sup>2</sup>



**V Spoke light alloy wheels (Style 658)**  
18 x 8.0 front, 18 x 8.5 rear;  
and 225/45 front, 255/40 rear  
non-run-flat<sup>1</sup> performance tires<sup>2,3</sup>



**V Spoke light alloy wheels (Style 395)**  
17 x 8.0; and 225/55  
non-run-flat<sup>1</sup> all-season tires<sup>2</sup>

<sup>1</sup> Does not come equipped with spare wheel and tire.

<sup>2</sup> Driving over rough or damaged road surfaces, as well as debris, curbs and other obstacles, can cause serious damage to wheels, tires and suspension parts. This is more likely to occur with low-profile tires, which provide less cushioning between the wheel and the road. Be careful to avoid road hazards and reduce your speed, especially if your vehicle is equipped with low-profile tires.

<sup>3</sup> Performance tires include Mobility Kit; not recommended for driving in ice and snow conditions.



# 3 SERIES SEDAN

## PACKAGES

### M SPORT PACKAGE

18-inch Star Spoke wheels (Style 400M)  
(options available)  
Aluminum Hexagon trim / Estoril Blue matte highlight  
(options available)  
M Sport suspension  
Adaptive M Suspension (optional)  
M sport steering wheel  
Aerodynamic kit  
Shadowline exterior trim  
Increased top-speed limiter when equipped  
with performance tires

### PREMIUM PACKAGE

Comfort Access keyless entry  
Moonroof  
4-way lumbar support for front seats  
LED headlights (not with 320i)  
SiriusXM® Satellite Radio with 1-year subscription

### COLD WEATHER PACKAGE

Heated steering wheel  
Heated front and rear seats

### TECHNOLOGY PACKAGE

BMW Navigation system  
Head-up Display  
BMW Online and BMW Apps  
Advanced Real Time Traffic Information  
Remote Services  
Instrument cluster with extended contents  
BMW Connected App Compatibility

### DRIVER ASSISTANCE PLUS

Active Blind Spot Detection  
Active Driving Assistant<sup>1</sup>  
Side- and Top- view Cameras  
Speed limit info  
Lane Departure Warning  
Forward Collision Warning  
Pedestrian Warning and City Collision Mitigation

### LIGHTING PACKAGE

(not with 320i)  
Adaptive LED Headlights  
Automatic high beams

### DRIVER ASSISTANCE PACKAGE

Rear-view Camera  
Park Distance Control

### LUXURY PACKAGE

Exterior chrome design elements  
Signature key

<sup>1</sup>Active Driving Assistant is not a substitute for the driver's own responsibility in maintaining safe control of the vehicle.

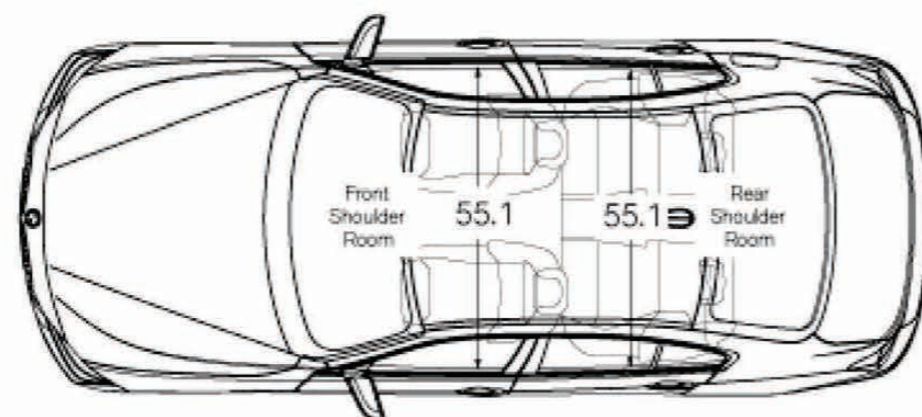
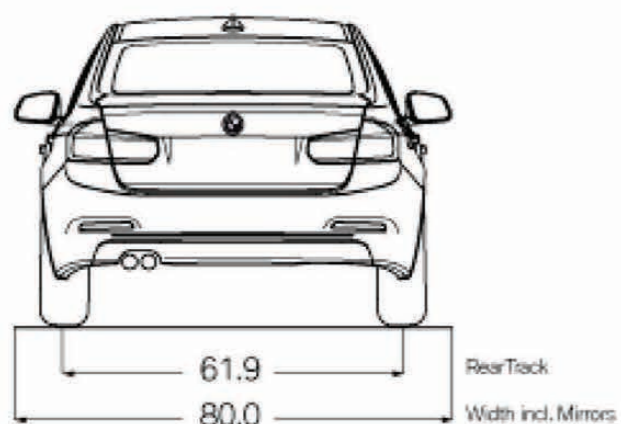
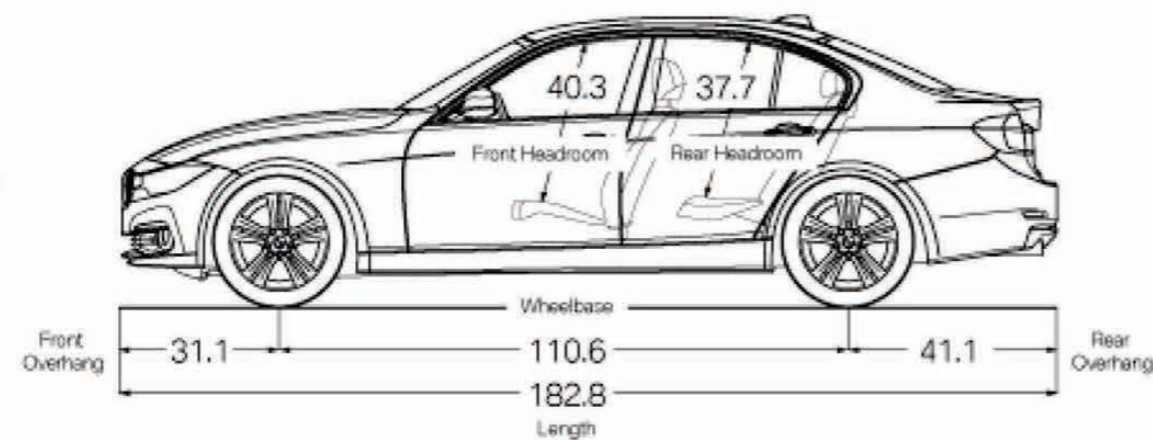
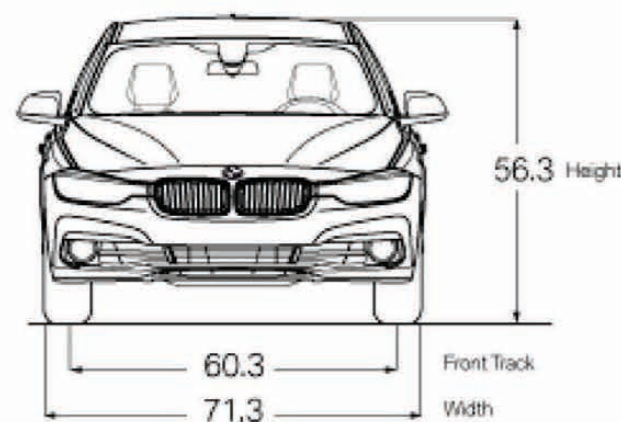
Not all features are available on all models. Get the latest information on standard and optional features, packages and technical specifications. Visit [bmwusa.com](http://bmwusa.com) and select the BMW model of your choice.



# 3 SERIES SEDAN

## TECHNICAL DATA

	328d	328d xDrive	330i	330i xDrive	340i	340i xDrive
ENGINE	2.0-liter TwinPower Turbo Diesel inline 4-cylinder 180 hp @ 4000 / 280 @ 1750-2750		2.0-liter TwinPower Turbo Diesel inline 4-cylinder 248 hp @ 5200 / 258 @ 1450-4800		3.0-liter TwinPower Turbo inline 6-cylinder 320 @ 5500 / 330 @ 1380-5000	
OUTPUT @ RPM						
0-60 MPH (sec) <sup>1</sup>	7.4	7.3	5.5 [5.6]	5.5	4.8 [4.9]	4.6 [4.7]
CITY / HIGHWAY / COMBINED MPG	TBD	TBD	23/34/27 [21/32/25]	23/33/26	21/32/25 [19/29/23]	21/31/25 [19/29/23]



	320i / 320i xDrive
ENGINE	2.0-liter TwinPower Turbo inline 4-cylinder
OUTPUT @ RPM	180 hp @ 5000 / 200 lb-ft @ 1250-4500
0-60 MPH (sec) <sup>1</sup>	7.1 [7.1]
CITY / HIGHWAY / COMBINED MPG	23/35/27

Figures in [ ] refer to vehicles with manual transmission. Figures subject to change. Not all packages available in all models. Please visit your BMW Retailer or [bmwusa.com](http://bmwusa.com) for the most up-to-date information.

<sup>1</sup>BMW AG preliminary test results. Actual acceleration results may vary, depending on specification of vehicle; road and environmental conditions; testing procedures and driving style. These results should be used for comparison only and verification should not be attempted on public roads. BMW urges you to obey all posted speed laws and always wear safety belts.

Not all features are available on all models. Get the latest information on standard and optional features, packages and technical specifications. Visit [bmwusa.com](http://bmwusa.com) and select the BMW model of your choice.

All dimensions in technical drawings are given in inches. Dimensions shown apply to 330i xDrive Sedan.





X Close

## A WAGON WITH ROOM FOR SOUL.

The Sports Wagon contains all the ingredients that make a 3 so special. A 248 hp TwinPower Turbo engine, sport-tuned suspension and room for all your gear means you'll never have to leave anything – especially performance – behind.

# BMW 3 SERIES SPORTS WAGON

EXTERIOR COLORS

UPHOLSTERY

INTERIOR TRIMS

WHEELS / TIRES

PACKAGES

TECHNICAL DATA





## **ONE, TWO, 3-WAY VERSATILITY.**

You've got things to carry, and the 3 Series Sports Wagon is here to help. A wide rear hatch opens to reveal an abundance of cargo space. For even more room, the 40/20/40 split fold-down through-load rear seats allow for many configurations to carry both passengers and gear.





## **SPACE NEVER HAD SO MUCH LUXURY.**

The Luxury Package ensures that your 3 Series Sports Wagon envelops you in total comfort while driving. Dakota Leather covers the seats, inner door panels, steering wheel and hand brake. Comfort Access allows you to open and lock doors just by placing a finger on the handle – and you can open the rear hatch with just the wave of a foot under the bumper.

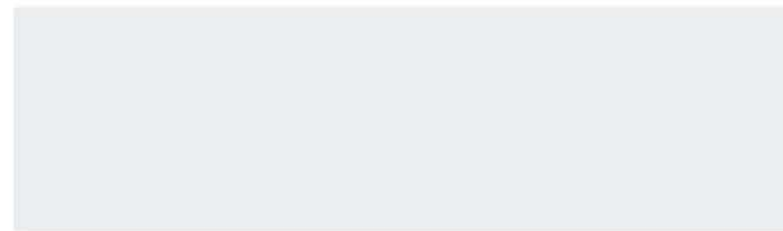


# 3

## SERIES SPORTS WAGON

### EXTERIOR COLORS

#### NON-METALLIC



**300** Alpine White (Non-metallic)



**668** Jet Black (Non-metallic)

#### METALLIC



**475** Black Sapphire Metallic



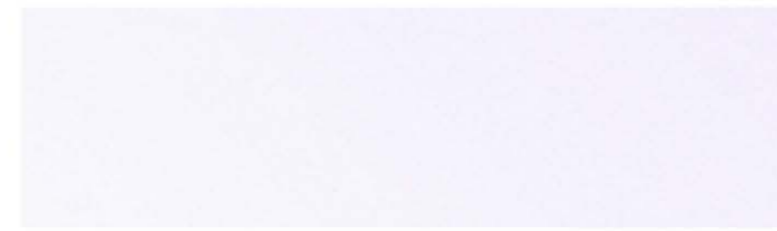
**A75** Melbourne Red Metallic



**A83** Glacier Silver Metallic



**A89** Imperial Blue Metallic



**A96** Mineral White Metallic



**B39** Mineral Gray Metallic



**B65** Jatoba Brown Metallic



**C08** Platinum Silver Metallic



**C10** Mediterranean Blue Metallic



**B45** Estoril Blue Metallic



# 3

## SERIES SPORTS WAGON

## UPHOLSTERY

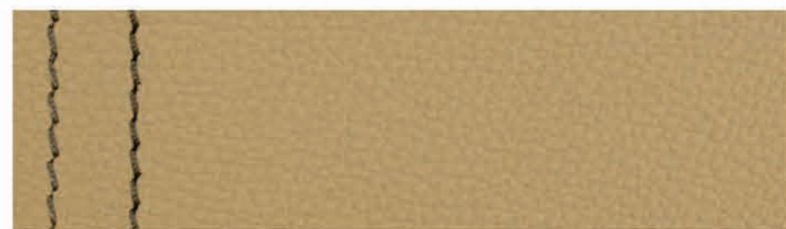
### SENSATEC



**KCL3** Black SensaTec / Red highlight

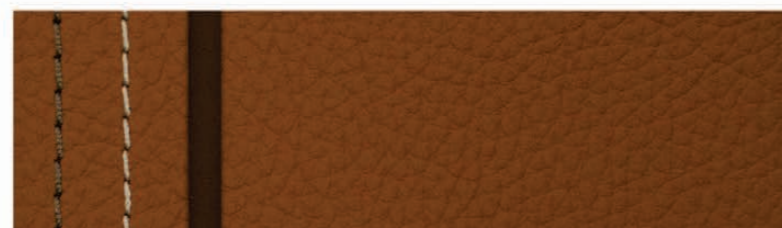


**KCSW** Black SensaTec

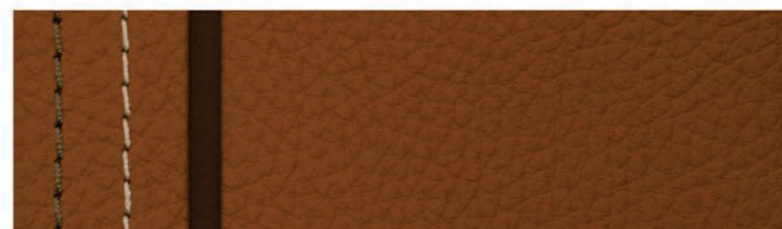


**KCV1** Venetian Beige / Black SensaTec

### DAKOTA LEATHER



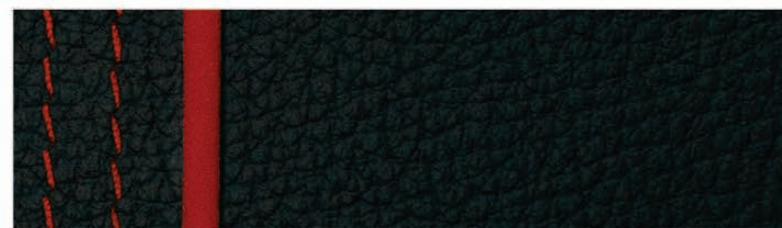
**LCDJ** Saddle Brown Dakota Leather / Dark Brown highlight



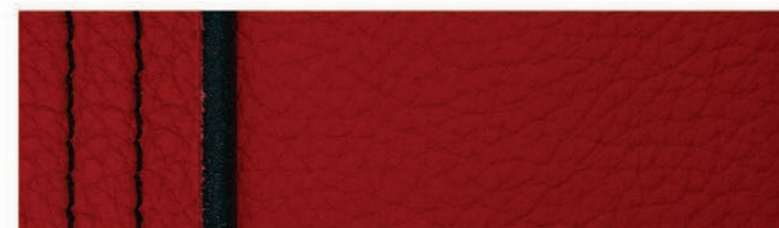
**LCDY** Saddle Brown Dakota Leather / Dark Brown highlight and Brown lower dashboard



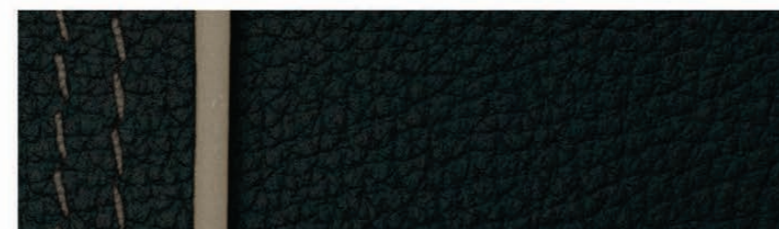
**LCFL** Venetian Beige/Black Dakota Leather / Dark Oyster highlight



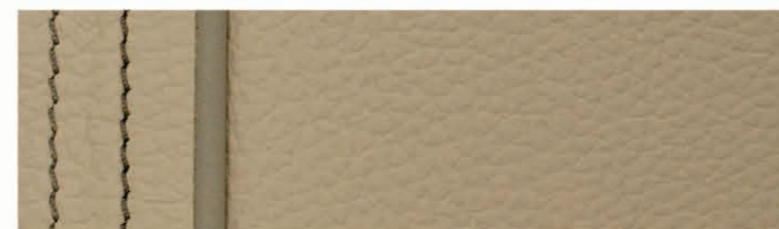
**LCL3** Black Dakota Leather / Red highlight



**LCL5** Coral Red Dakota Leather / Black highlight



**LCL8** Black Dakota Leather / Dark Oyster highlight



**LCOM** Oyster Dakota Leather / Dark Oyster highlight

Leather: Leather on all seating surfaces; other components may be Leather or SensaTec.



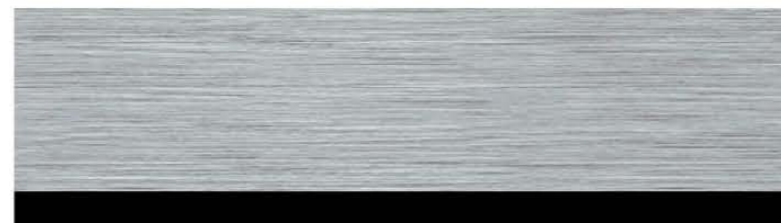
# 3 SERIES SPORTS WAGON

## INTERIOR TRIMS

### INTERIOR TRIMS



**4FU** Fineline Anthracite Wood trim / Pearl Gloss Chrome highlight



**4FT** Brushed Aluminum trim / high-gloss Black highlight



**4GA** Ash Grain Wood trim with Metal inlay / Pearl Gloss Chrome highlight



**4WF** Aluminum Hexagon trim / Estoril Blue matte highlight



**4FW** Burl Walnut Wood trim / Pearl Gloss Chrome highlight



**4WG** Aluminum Hexagon trim / high-gloss Black highlight



# 3 SERIES SPORTS WAGON

## WHEELS / TIRES



**V Spoke Orbit Gray light alloy wheels (Style 398)**  
18 x 8.0 front, 18 x 8.5 rear;  
and 225/45 front, 255/40 rear  
performance tires<sup>1,2,3</sup>



**Double Spoke light alloy wheels (Style 397)**  
18 x 8.0 front, 18 x 8.5 rear;  
and 225/45 front, 255/40 rear  
run-flat<sup>1</sup> performance tires<sup>1,2,3</sup>  
18 x 8.0; and 225/45  
run-flat<sup>1</sup> performance tires<sup>2,3</sup>  
or all-season tires<sup>2</sup>



**Star Spoke light alloy wheels (Style 400M)**  
18 x 8.0 front, 18 x 8.5 rear;  
and 225/45 front, 255/40 rear  
performance run-flat<sup>1</sup> tires<sup>1,2,3</sup>  
18 x 8.0; and 225/45  
run flat<sup>1</sup> all-season tires<sup>2</sup>



**Double Spoke light alloy wheels (Style 392)**  
17 x 7.5; and 225/50  
run-flat<sup>1</sup> all-season tires<sup>2</sup>

<sup>1</sup> Does not come equipped with spare wheel and tire.

<sup>2</sup> Driving over rough or damaged road surfaces, as well as debris, curbs and other obstacles, can cause serious damage to wheels, tires and suspension parts. This is more likely to occur with low-profile tires, which provide less cushioning between the wheel and the road. Be careful to avoid road hazards and reduce your speed, especially if your vehicle is equipped with low-profile tires.

<sup>3</sup> Performance tires include Mobility Kit; not recommended for driving in ice and snow conditions.



# 3 SERIES SPORTS WAGON

## PACKAGES

### M SPORT PACKAGE

18-inch Star Spoke wheels (Style 400M)  
(options available)  
Aluminum Hexagon trim / Estoril Blue  
ratte highlight (options available)  
M sport steering wheel  
Aerodynamic kit  
Shadowline exterior trim  
Increased top-speed limiter when equipped  
with performance tires  
Standard Suspension (options available)

### PREMIUM PACKAGE

Comfort Access keyless entry  
4-way lumbar support for front seats  
LED Headlights  
SiriusXM® Satellite Radio with 1-year subscription

### COLD WEATHER PACKAGE

Heated steering wheel  
Heated front and rear seats

### TECHNOLOGY PACKAGE

BMW Navigation system  
Head-up Display  
BMW Online and BMW Apps  
Advanced Real Time Traffic Information  
BMW Remote Services  
Instrument cluster with extended contents  
BMW Connected App Compatibility

### DRIVER ASSISTANCE PLUS

Active Blind Spot Detection  
Active Driving Assistant<sup>1</sup>  
Side- and Top- view Cameras  
Speed Limit Info  
Land Departure Warning  
Forward Collision Warning  
Pedestrian Warning and City Collision Mitigation

### LIGHTING PACKAGE

Adaptive LED Headlights  
Automatic high beams

### DRIVER ASSISTANCE PACKAGE

Rear-view Camera  
Park Distance Control

### LUXURY PACKAGE

Satin Aluminum roof rails  
Exterior Chrome design elements

<sup>1</sup>Active Driving Assistant is not a substitute for the driver's own responsibility in maintaining safe control of the vehicle.

Not all features are available on all models. Get the latest information on standard and optional features, packages and technical specifications. Visit [bmwusa.com](http://bmwusa.com) and select the BMW model of your choice.

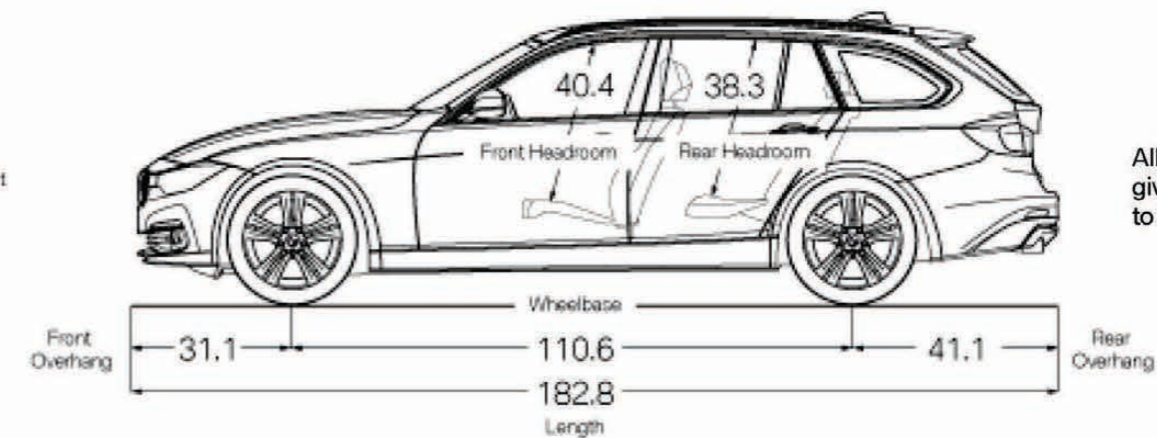
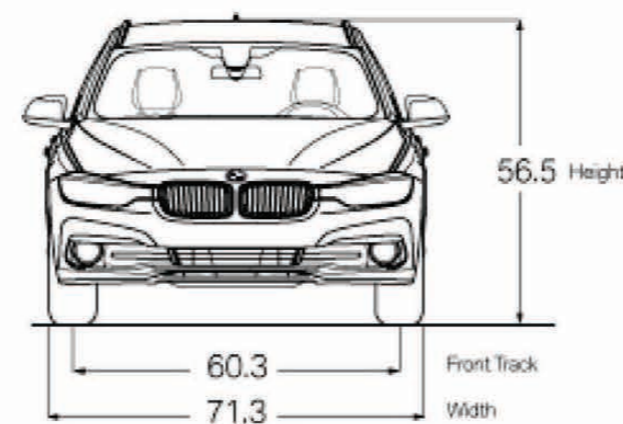


# 3 SERIES SPORTS WAGON

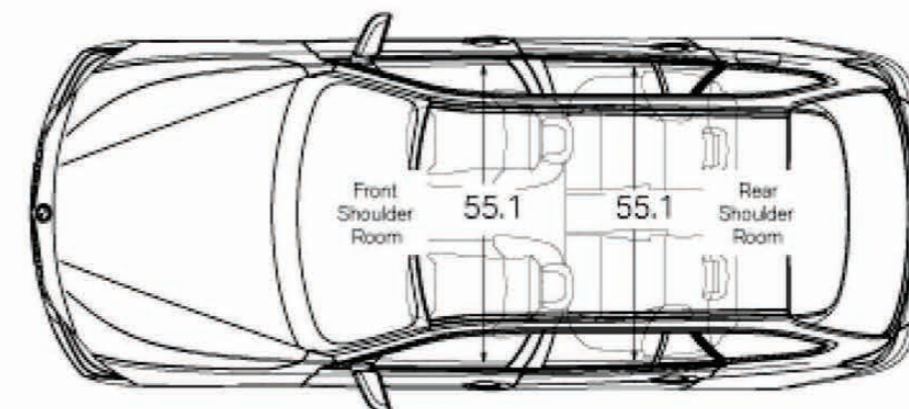
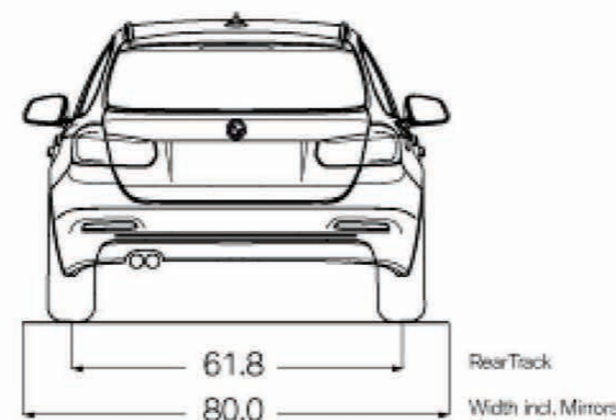
## TECHNICAL DATA



	328d xDrive	330i xDrive
ENGINE	2.0-liter TwinPower Turbo Diesel inline 4-cylinder 180 hp @ 4000 / 280 @ 1750–2750	2.0-liter TwinPower Turbo inline 4-cylinder 248 hp @ 5200 / 258 @ 1450–4800
OUTPUT @ RPM		
0-60 MPH (sec) <sup>1</sup>	7.6	5.7
CITY / HIGHWAY / COMBINED MPG	TBD	23/33/26



All dimensions in technical drawings are given in inches. Dimensions shown apply to 328d xDrive Sports Wagon.



Figures subject to change. Not all packages available in all models. Please visit your BMW Retailer or [bmwusa.com](http://bmwusa.com) for the most up-to-date information.

<sup>1</sup>BMW AG preliminary test results. Actual acceleration results may vary, depending on specification of vehicle; road and environmental conditions; testing procedures and driving style. These results should be used for comparison only and verification should not be attempted on public roads. BMW urges you to obey all posted speed laws and always wear safety belts.

Not all features are available on all models. Get the latest information on standard and optional features, packages and technical specifications. Visit [bmwusa.com](http://bmwusa.com) and select the BMW model of your choice.



X Close

# SPACE CRUSADER.

The newest member of the 3 Series family, the Gran Turismo takes all that is 3 and adds to it a full-sized hatch that opens to reveal a cavernous cargo area. Of course, legendary BMW sports sedan dynamics come standard.



## BMW 3 SERIES GRAN TURISMO

EXTERIOR COLORS

UPHOLSTERY

INTERIOR TRIMS

WHEELS / TIRES

PACKAGES

TECHNICAL DATA





## **ROOM FOR A VIEW.**

The Panoramic glass moonroof features a fully automatic two-piece panel that opens with the touch of a button. When not in use, push the same button to activate the sunshade.





## **OPEN WIDE.**

“Will it fit?” is a question you no longer need to ask. The 3 Series Gran Turismo features a large power tailgate that opens to reveal a flat load floor with rails that allow for various tie-down points. For expanded capacity, simply fold down the 40/20/40 split through-load rear seats.

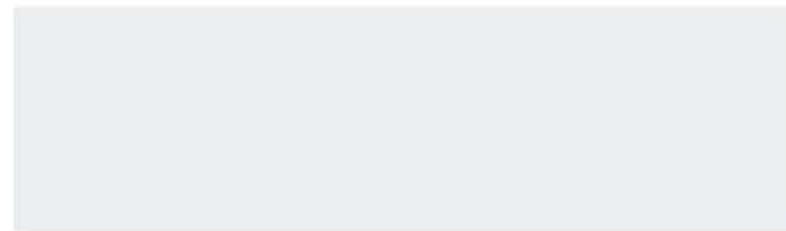


# 3

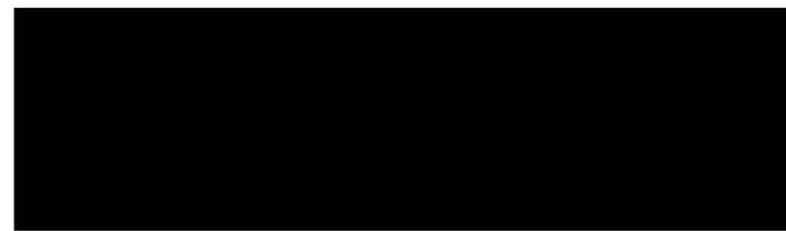
## SERIES GRAN TURISMO

### EXTERIOR COLORS

#### NON-METALLIC



**300** Alpine White (Non-metallic)



**668** Jet Black (Non-metallic)

#### METALLIC



**475** Black Sapphire Metallic



**481** Kalahari Beige Metallic



**A75** Melbourne Red Metallic



**A83** Glacier Silver Metallic



**A89** Imperial Blue Metallic



**A96** Mineral White Metallic



**B39** Mineral Gray Metallic



**B45** Estoril Blue Metallic



**B65** Jatoba Brown Metallic



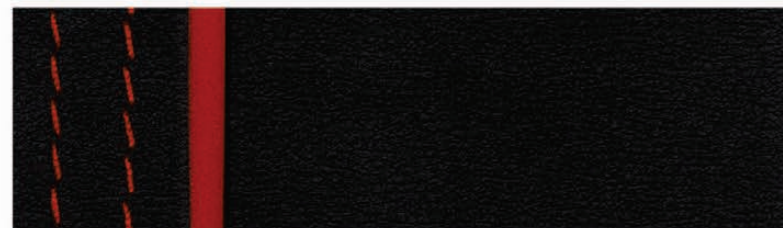
**C27** Arctic Gray Metallic



# 3 SERIES GRAN TURISMO

## UPHOLSTERY

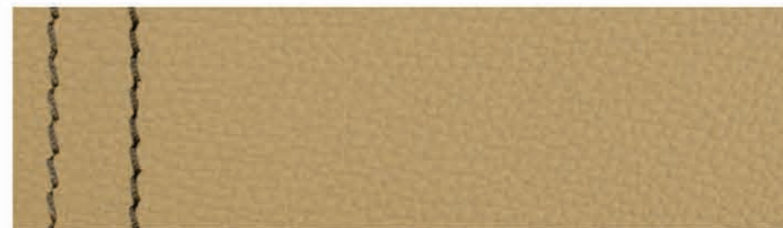
### SENSATEC



**KCL3** Black SensaTec / Red highlight



**KCSW** Black SensaTec



**KCV1** Venetian Beige / Black SensaTec

### DAKOTA LEATHER



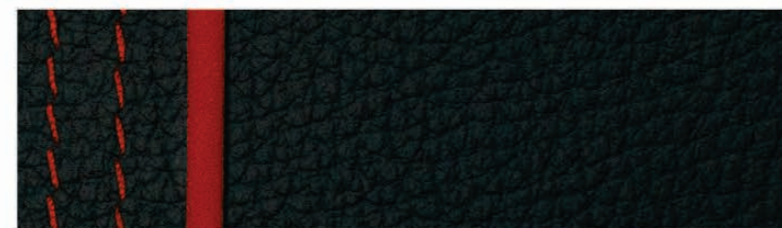
**LCDJ** Saddle Brown Dakota Leather / Dark Brown highlight



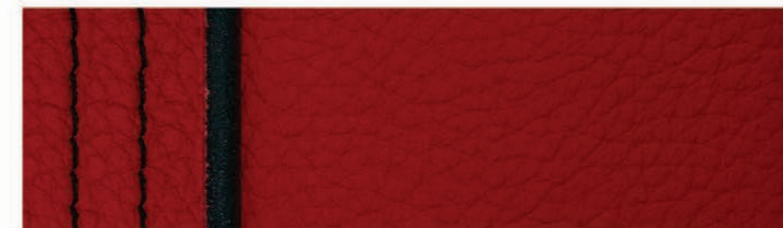
**LCDY** Saddle Brown Dakota Leather / Dark Brown highlight with Brown lower dashboard



**LCFL** Venetian Beige / Black Dakota Leather / Dark Oyster highlight



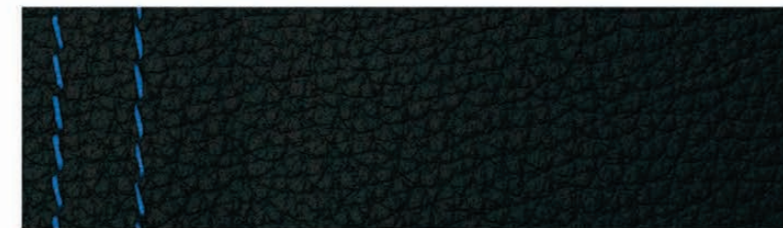
**LCL3** Black Dakota Leather / Red highlight



**LCL5** Coral Red Dakota Leather / Black highlight



**LCL8** Black Dakota Leather / Dark Oyster highlight



**LCNL** Black Dakota Leather / Blue highlight



**LCOM** Oyster Dakota Leather / Dark Oyster highlight

Leather: Leather on all seating surfaces; other components may be Leather or SensaTec.



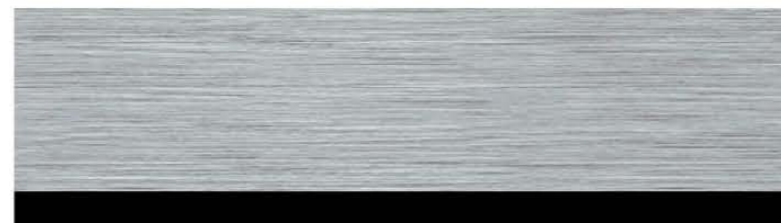
# 3 SERIES GRAN TURISMO

## INTERIOR TRIMS

### INTERIOR TRIMS



**4FU** Fineline Anthracite Wood trim /  
Pearl Gloss Chrome highlight



**4FT** Brushed Aluminum trim /  
high-gloss Black highlight



**4GA** Ash Grain Wood trim with Metal inlay /  
Pearl Gloss Chrome highlight



**4WF** Aluminum Hexagon trim /  
Estoril Blue matte highlight



**4FW** Burl Walnut Wood trim /  
Pearl Gloss Chrome highlight



**4WG** Aluminum Hexagon trim /  
high-gloss Black highlight



# 3 SERIES GRAN TURISMO

## WHEELS / TIRES



**V Spoke Orbit Gray light alloy wheels (Style 658)**  
18 x 8.0; and 225/45 run-flat<sup>1</sup> all-season tires<sup>2</sup>



**Double Spoke light alloy wheels (Style 673)**  
19 x 8.0 front, 19 x 9.0 rear; and 225/45 front, 255/40 rear non-run-flat<sup>1</sup> summer tires<sup>2,3</sup>  
18 x 8.0; and 225/45 run-flat<sup>1</sup> all-season tires<sup>2</sup>



**Double Spoke light alloy wheels (Style 466)**  
19 x 8.0 front, 19 x 9.0 rear; and 225/45 front, 255/40 rear performance run-flat<sup>1</sup> tires<sup>2,3</sup>  
19 x 8.0; and 225/45 run-flat<sup>1</sup> all-season tires<sup>2</sup>



**Star Spoke light alloy wheels (Style 400M)**  
18 x 8.0 front, 18 x 8.5 rear; and 225/45 front, 255/40 rear summer tires<sup>2,3</sup>  
18 x 8.0; and 225/45 run-flat<sup>1</sup> all-season tires<sup>2</sup>



**Double Spoke light alloy wheels (Style 397)**  
18 x 8.0; and 225/45 run-flat<sup>1</sup> performance tires<sup>2,3</sup> or all-season tires<sup>2</sup>



**Double Spoke light alloy wheels (Style 598M)**  
19 x 8.0 front, 19 x 9.0 rear; and 225/45 front, 255/40 rear run-flat<sup>1</sup> summer tires<sup>2,3</sup>

<sup>1</sup> Does not come equipped with spare wheel and tire.

<sup>2</sup> Driving over rough or damaged road surfaces, as well as debris, curbs and other obstacles, can cause serious damage to wheels, tires and suspension parts. This is more likely to occur with low-profile tires, which provide less cushioning between the wheel and the road. Be careful to avoid road hazards and reduce your speed, especially if your vehicle is equipped with low-profile tires.

<sup>3</sup> Performance tires include Mobility Kit; not recommended for driving in ice and snow conditions.

Not all features are available on all models. Get the latest information on standard and optional features, packages and technical specifications. Visit [bmwusa.com](http://bmwusa.com) and select the BMW model of your choice.



# 3 SERIES GRAN TURISMO

## PACKAGES

### M SPORT PACKAGE

18-inch Star Spoke wheels (Style 400M)  
(options available)  
Aluminum Hexagon trim/Estoril Blue matte highlight  
(options available)  
M sport steering wheel  
Aerodynamic kit  
Shadowline exterior trim  
Increased top-speed limiter when equipped  
with performance tires  
Standard Suspension (options available)

### PREMIUM PACKAGE

Comfort Access keyless entry  
4-way lumbar support for front seats  
SiriusXM® Satellite Radio with 1-year subscription

### COLD WEATHER PACKAGE

Heated steering wheel  
Heated front and rear seats

### TECHNOLOGY PACKAGE

BMW Navigation system  
Head-up Display  
BMW Online and BMW Apps  
Advanced Real Time Traffic Information  
BMW Remote Services  
Instrument cluster with extended contents  
BMW Connected App Compatibility

### DRIVER ASSISTANCE PLUS

Active blind spot detection  
Active Driving Assistant<sup>1</sup>  
Side and top view Cameras  
Speed limit info  
Land departure warning  
Forward collision Warning  
Pedestrian Warning and city collision mitigation

### DRIVER ASSISTANCE PACKAGE

Rear-view Camera  
Park Distance Control

### LUXURY PACKAGE

Exterior chrome design elements  
Signature key

### DYNAMIC HANDLING PACKAGE

Adaptive M suspension  
Variable Sport Steering

### LIGHTING PACKAGE

Adaptive Full LED Headlights  
Automatic high beams

<sup>1</sup>Active Driving Assistant is not a substitute for the driver's own responsibility in maintaining safe control of the vehicle.

Not all features are available on all models. Get the latest information on standard and optional features, packages and technical specifications. Visit [bmwusa.com](http://bmwusa.com) and select the BMW model of your choice.

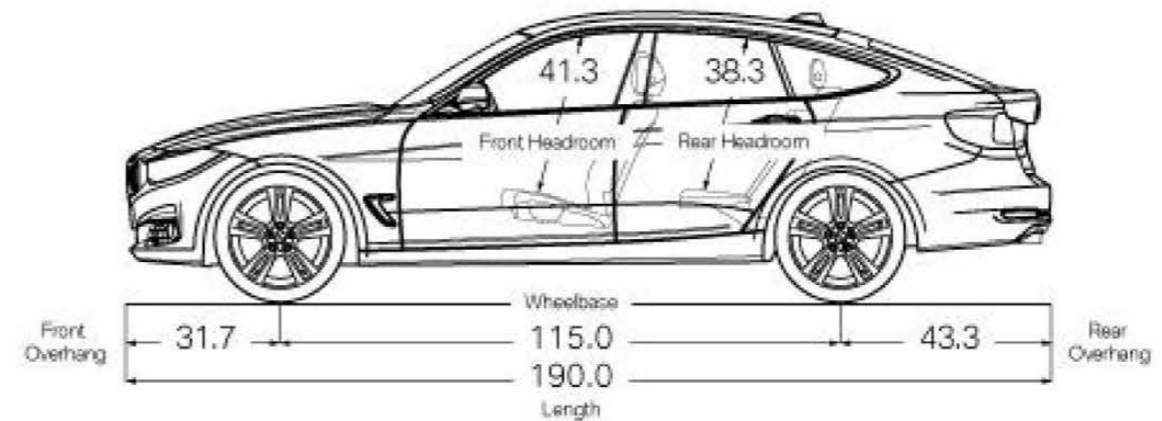
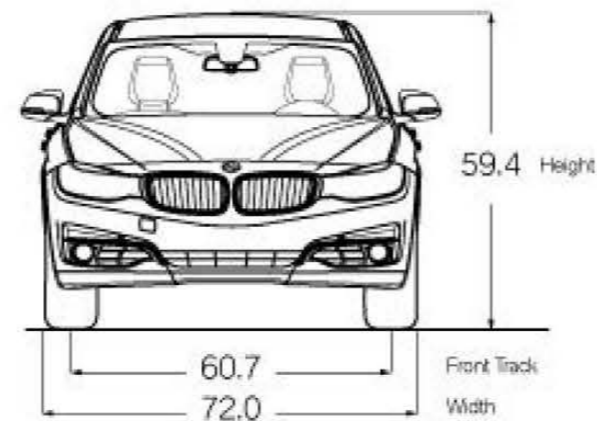


# 3 SERIES GRAN TURISMO

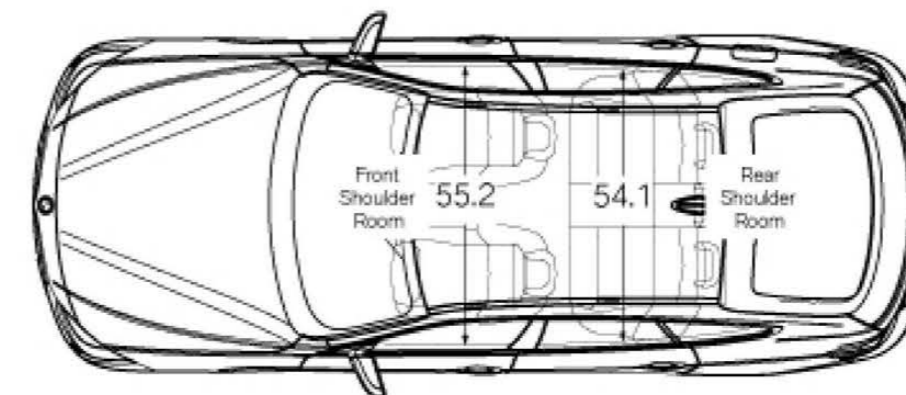
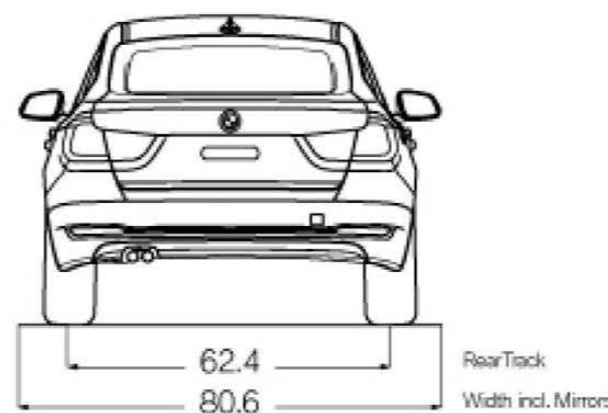
## TECHNICAL DATA



	330i xDrive GranTurismo	340i xDrive GranTurismo
ENGINE	2.0-liter TwinPower Turbo inline 4-cylinder 248 hp @ 5200 / 258 @ 1450-4800	3.0-liter TwinPower Turbo inline 6-cylinder 330 hp @ 5500 / 330 @ 1380-5000
OUTPUT @ RPM		
0-60 MPH (sec) <sup>1</sup>	5.9	4.7
CITY / HIGHWAY / COMBINED MPG	23/33/26	20/30/24



All dimensions in technical drawings are given in inches. Dimensions shown apply to 330i and 330i xDrive Gran Turismo.



Figures subject to change. Not all packages available in all models. Please visit your BMW Retailer or [bmwusa.com](http://bmwusa.com) for the most up-to-date information.

<sup>1</sup>BMW AG preliminary test results. Actual acceleration results may vary, depending on specification of vehicle; road and environmental conditions; testing procedures and driving style. These results should be used for comparison only and verification should not be attempted on public roads. BMW urges you to obey all posted speed laws and always wear safety belts.

Not all features are available on all models. Get the latest information on standard and optional features, packages and technical specifications. Visit [bmwusa.com](http://bmwusa.com) and select the BMW model of your choice.